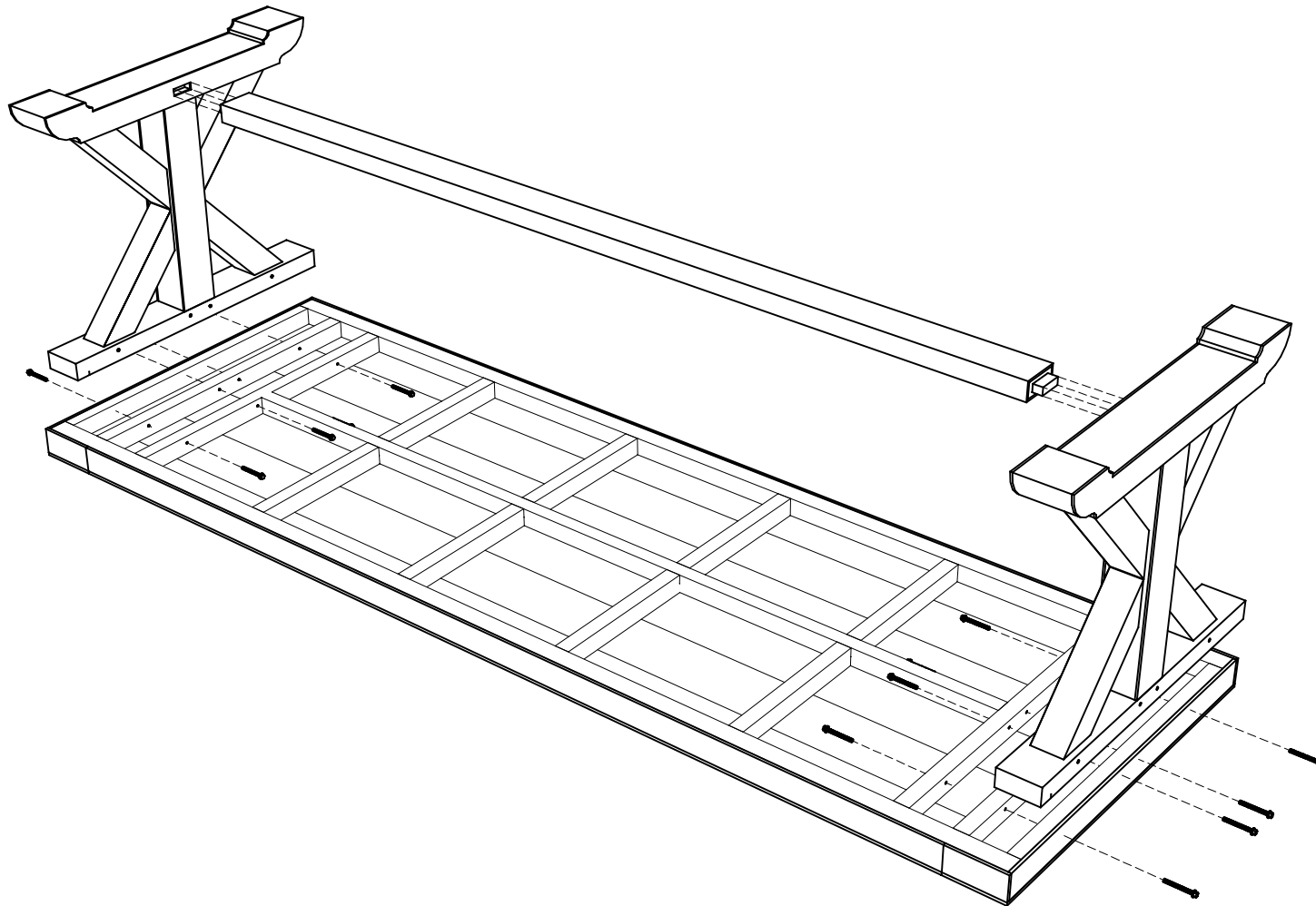


78" X-BASE DINING TABLE

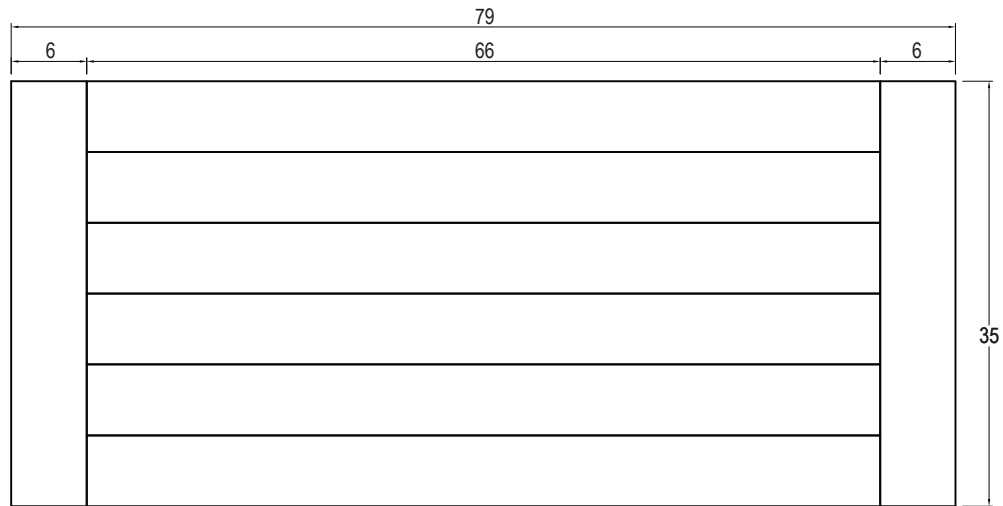


Toll Free: 1 855 738 1378 Email:
info@urbanwoodcraft.com

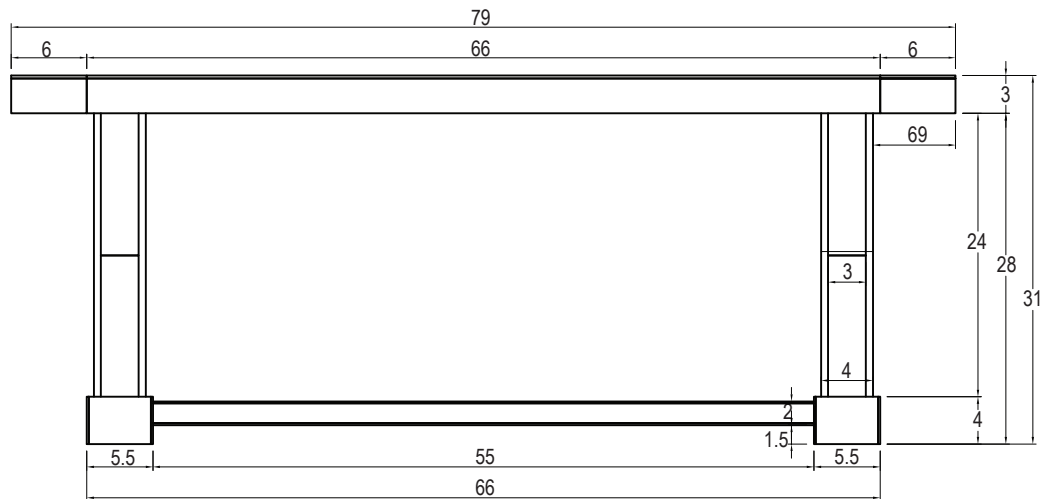
Bolt M8 x 2.7 in : 16 Pcs



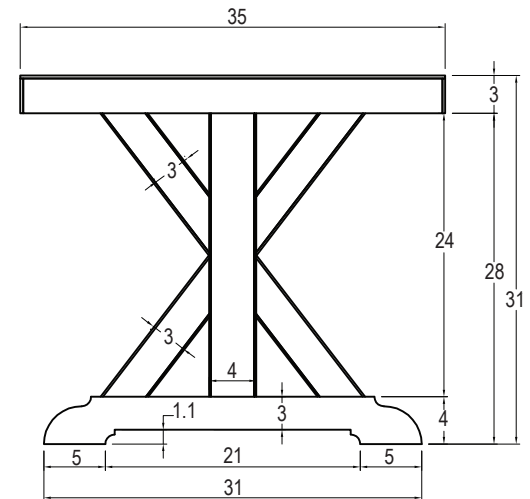
urbanwoodcraft



TOP VIEW / VUE DE DESSUS / VISTA SUPERIOR



FRONT VIEW / VUE DE FACE / VISTA FRONTAL



SIDE VIEW / VUE DE CÔTÉ / VISTA LATERAL

Toll Free: 1 855 738 1378 Email: info@urbanwoodcraft.com	ITEM NUMBER 500.78DT.XB.N			UNITS Inches	VERSION 00	DATE 13.05.2015	APPROVAL
	SIZE L 79	W 35	H 31				