



TITAN Series

USER GUIDE & ASSEMBLY INSTRUCTIONS



IMPORTANT SAFETY INSTRUCTIONS



Read these instructions carefully and retain them for future use. If this product is passed to a third party, then these instructions must be included.

When using the product, basic safety precautions should always be followed to reduce the risk of injury including the following:

- This product must be assembled by an adult.
- Keep children and pets away while assembling the product.
- Do not let children climb on or play with the product.
- Always use the product on firm, level ground.
- Do not use this product if any parts are missing, damaged, or worn.
- To avoid scratching the floor, assemble the product on a soft surface, such as a carpet.
- Do not over-tighten the fasteners.
- Regularly examine the product for wear and tear. Stop using the product at the first sign of damage or if parts become detached.
- Do not use power tools to assemble the product. Power tools may strip or damage the parts.
- Do not stand on the seat.
- Do not sit on the armrest.
- Keep all sharp objects away from the upholstery.
- Do not hang anything on the product.

2. Assembly

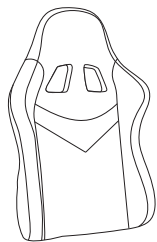
- For additional illustrated assembly steps, refer to the end of the written instructions.

3. Before First Use

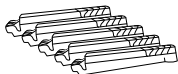
- **Suffocation Hazard:** Packaging materials and small components such as screws, bolts, and other fasteners can pose a suffocation hazard. Always keep these parts out of reach of children and pets during assembly and ensure they are securely fastened to the product to prevent them from becoming loose over time.
- **Children's Safety:** Never leave children unattended with the chair. Teach children not to play with the chair, as it is not a toy. Climbing on the chair or playing with its moving parts can lead to falls or injuries. Additionally, ensure the chair is adjusted to a safe and appropriate height for children's use to prevent their feet from dangling, which can cause discomfort or pressure.
- **Pet Safety:** Be mindful of pets around your chair products. Pets, particularly those with a tendency to chew or claw, can damage the chair or even ingest small parts, leading to potential injury or health issues. Consider using protective covers or deterrents if your pets are known to chew on furniture.
- Remove all the packing materials.
- Review all components before assembly. Check the product for transport damages.
- Wear gloves while assembling your chair.

IT'S TIME TO UPGRADE YOUR CHAIR!

CHAIR PARTS



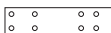
BACK



BASE LEG



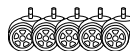
CENTRAL BASE



METAL PLATE



GAS LIFT



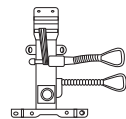
WHEEL



SEAT



ARMREST



CONTROL MECHANISM



FOOTREST CUSHION

HARDWARE



TILTING BOLT X4



PLATE - BACKREST X4



ARMREST BOLT X4



FOOTREST BOLT X2



PLATE - TILTING X4



ALLEN KEY



BOLT CAP X4

We recommend keeping your **Allen key** for future maintenance.

ACCESSORIES

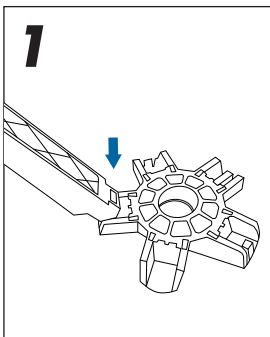
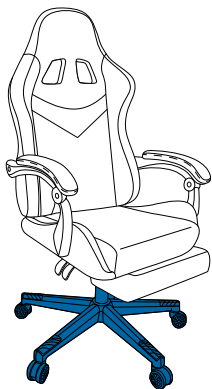


HEAD CUSHION

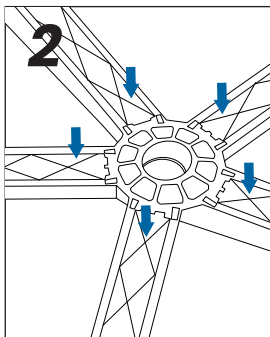


LUMBAR SUPPORT

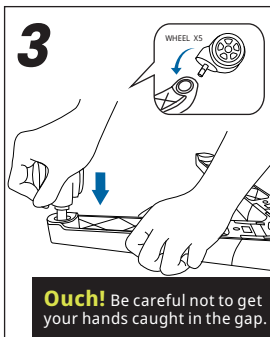
STEP 1. BASE



1 Insert a leg vertically into the base while the base is upside down.

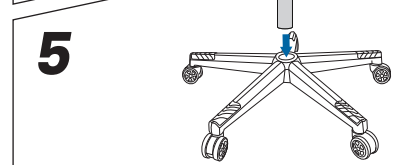
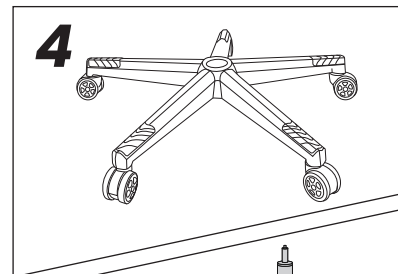


2 Press the leg down until you hear a "CLICK" sound. Then, assemble the remaining four legs in the same way.



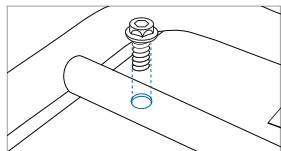
Ouch! Be careful not to get your hands caught in the gap.

3 Hold the leg with one hand and insert five wheels into the legs.

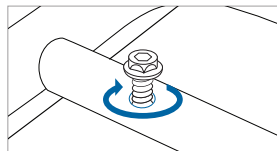


5

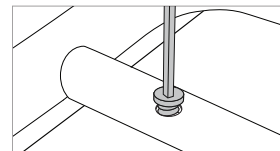
IMPORTANT NOTICE



1 THE BOLT HOLES SHOULD BE ALIGNED

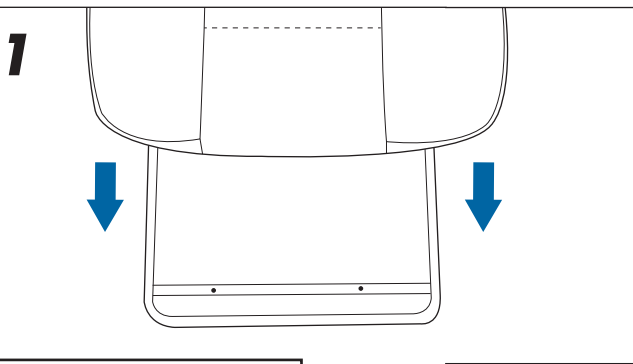
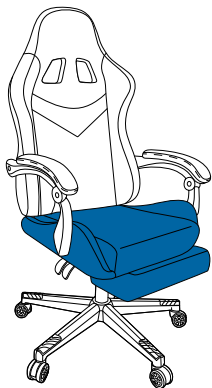


2 UNDER-TIGHTEN THE BOLTS

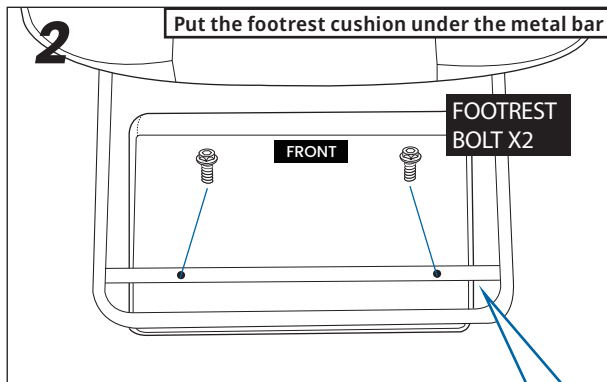


3 TIGHTEN ALL BOLTS

STEP 2. SEAT + FOOTREST



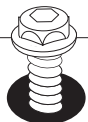
Take the footrest metal bar out



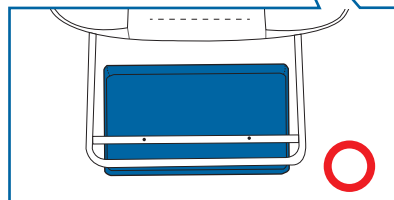
LOOSE BOLT ALERT!

When the bolts seem loose, detach the parts and try inserting the bolts directly into their holes.

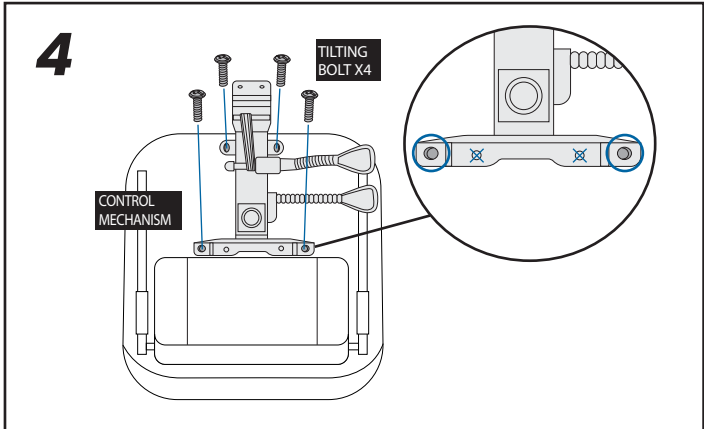
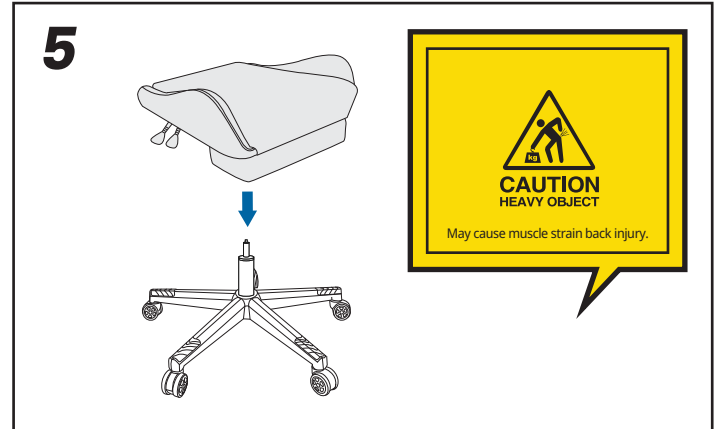
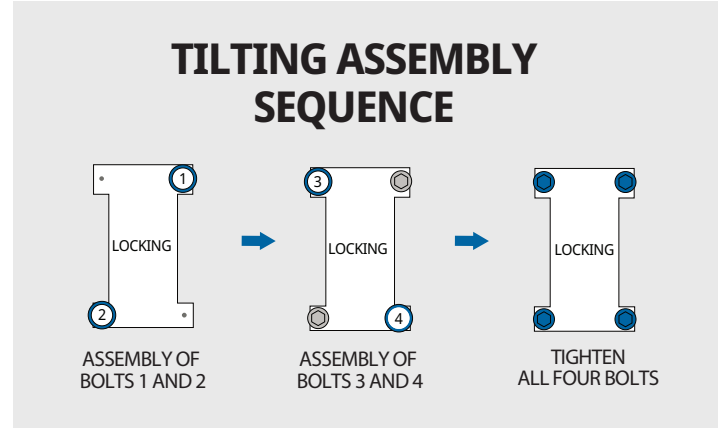
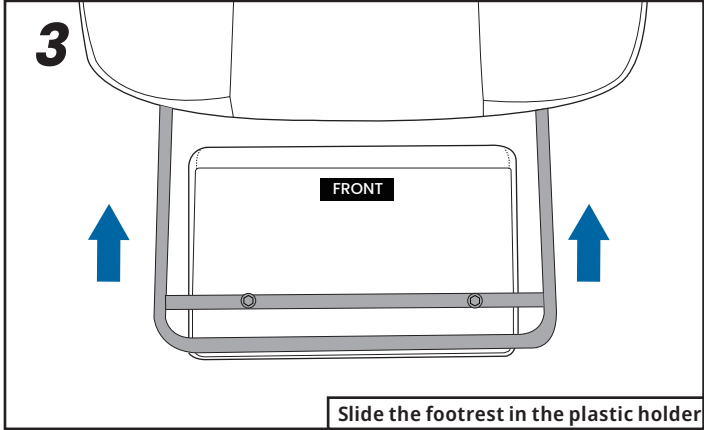
*Using an electric drill can damage the chair. Please re-tighten bolts manually.



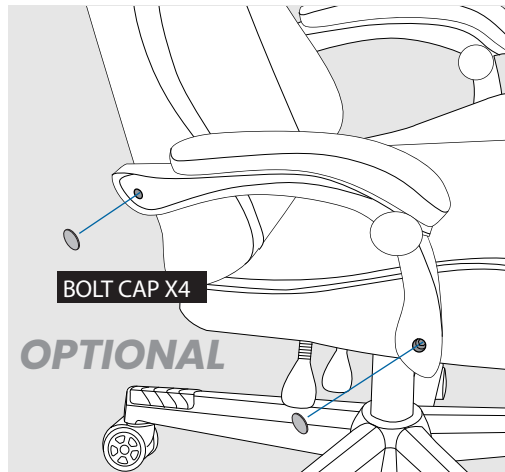
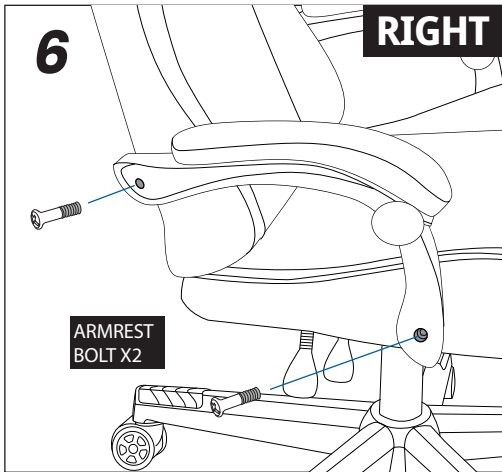
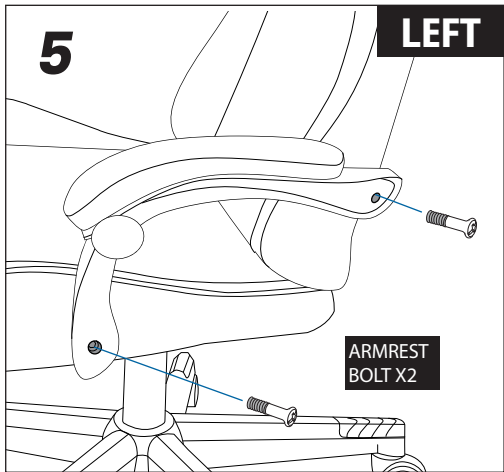
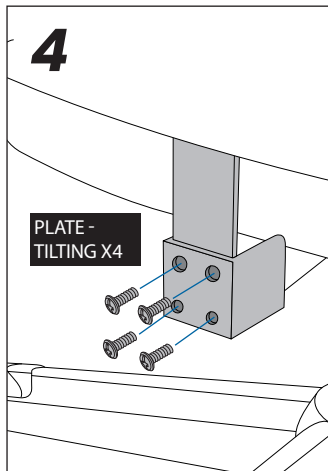
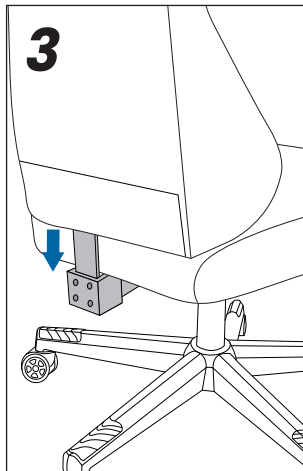
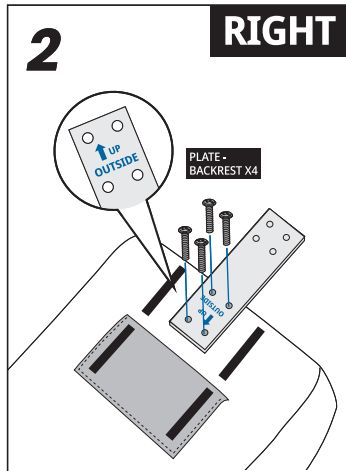
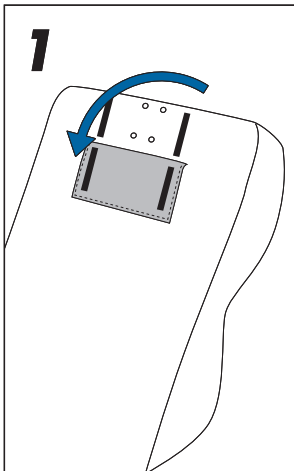
Insert into the slightly recessed bolt holes.



NOTE: Make sure that the cushion is placed within the rectangular metal bar

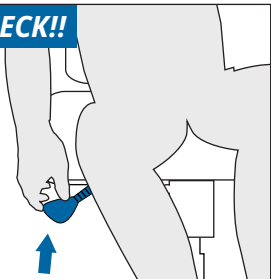


STEP 3. BACK, ARMREST



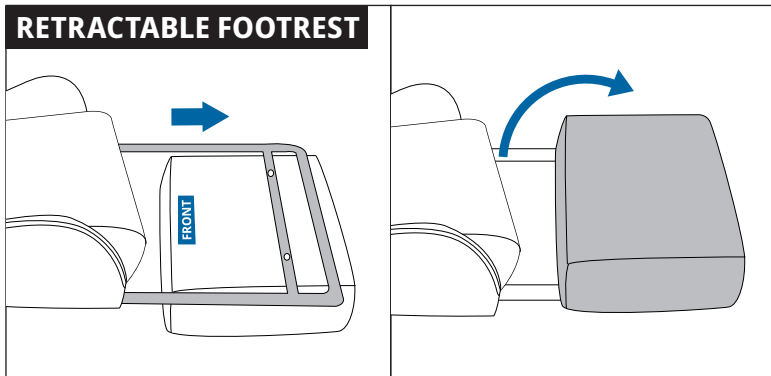
USER GUIDE

CHECK!!

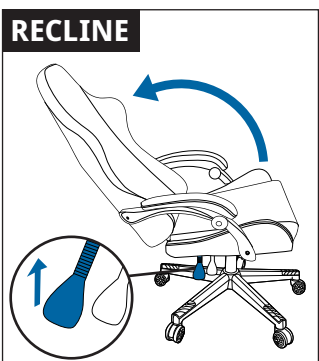


If the **CONTROL MECHANISM** is properly installed, it should be on your **RIGHT**.

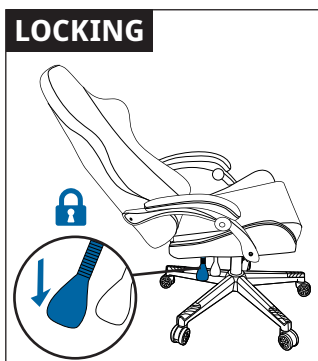
RETRACTABLE FOOTREST



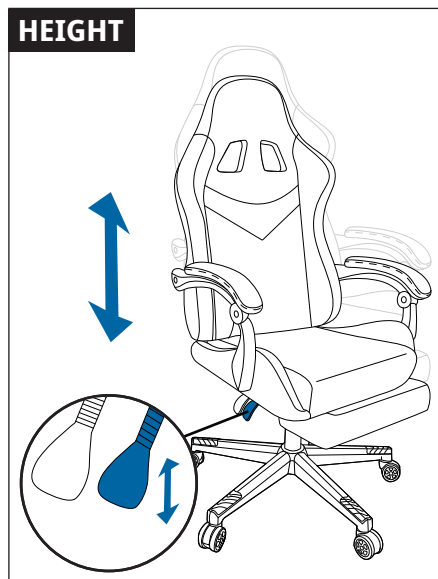
RECLINE



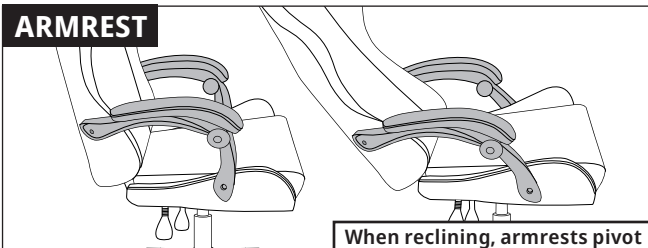
LOCKING



HEIGHT



ARMREST



When reclining, armrests pivot

NOTICE!



Do not press armrests hard when standing up, this may damage a product.

HEAD CUSHION, LUMBAR SUPPORT

