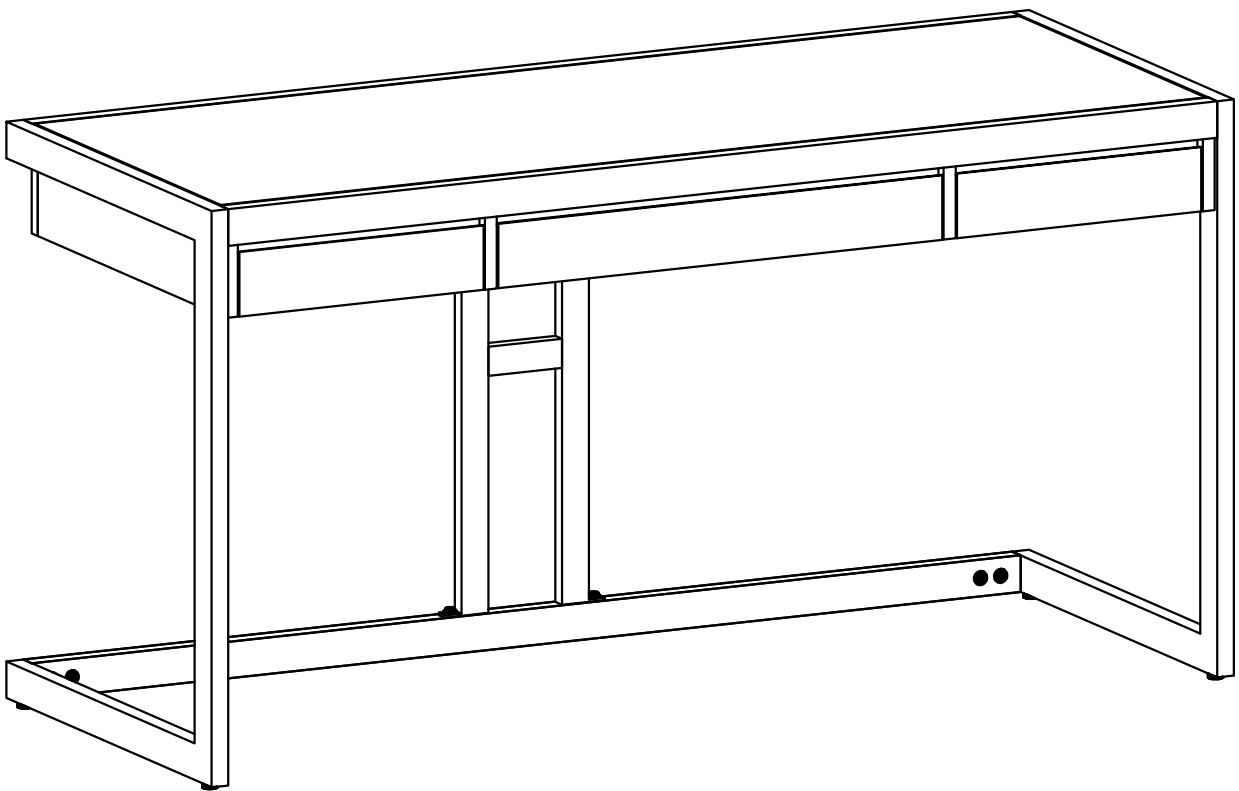


DESK





Questions, problems, assembly help, missing parts?

No need to return the product, we will gladly help and ship your
replacement parts free of charge
Please call Customer Service

In order to assist you in a timely manner, please have the following
information ready:

Model # _____ Part Number or Letter _____

Purchased at _____ Date of Purchase _____

If you wish to return the product, please contact the retailer where the
product was purchased.

IMPORTANT : Please read this manual carefully before beginning assembly of this product. Keep this manual for future reference.

SAFETY INFORMATION

Identify all the parts and hardware. Do not discard of the packaging until you have checked that you have all of the parts and hardware required. Hardware package may have spare parts.

WARNING: This item contains small parts which can be swallowed by children and pets. Keep children and pets away during assembly. To avoid danger of suffocation, always keep plastic bags away from children and pets. We recommend that you assemble this unit on a carpeted floor to avoid scratches. If using power tools, set the tool to low torque to avoid damage.

May require 2 people for ease of assembly.

IMPORTANT : Keep this manual for future reference.

CARE and MAINTENANCE

Wood Furniture Care

Perhaps the greatest environmental damage to wood furniture comes from wide swings in relative humidity (RH) in our homes. Wood absorbs and desorbs water as relative humidity rises and falls, and in doing so it swells and shrinks. Making matters worse, it expands and contracts unequally along different grain directions. As humidity changes, the components of wooden objects are continually pushing and pulling against each other. This pressure often results in parts of furniture no longer fitting together closely or becoming distorted or breaking from their own internal stresses.

The response to relative humidity changes begins with determining the annual average RH for your particular space. Then try to keep the RH in the space where your furniture is as close to that average as possible, generally within about 10% up or down. De-humidify in the summer and humidify in the winter.

Be aware that raising the temperature lowers the humidity and vice versa. Thus, modern heating systems, which can drive down interior RH in the winter, almost invariably cause problems for furniture. To counteract their effect, you can either modify the RH by keeping furniture containing spaces cooler in the winter or most importantly, have a good working humidifier for your home. A humidistat automatically works to balance the humidity in your home so it is constant. Dry indoor air can suck enough moisture from its surroundings to do permanent damage to wood, causing it to crack or split.

Remember, that not all woods are created equal. Two factors that help determine how rapidly a wood will lose moisture are pore size and surface hardness. A piece made from a dense and hard wood will dry less rapidly than pieces made from softer woods.

Furniture that is sealed and lacquered will lose moisture more slowly than an unfinished piece while pieces with veneer finishes are not only stronger, but lose moisture more slowly than other finishes.

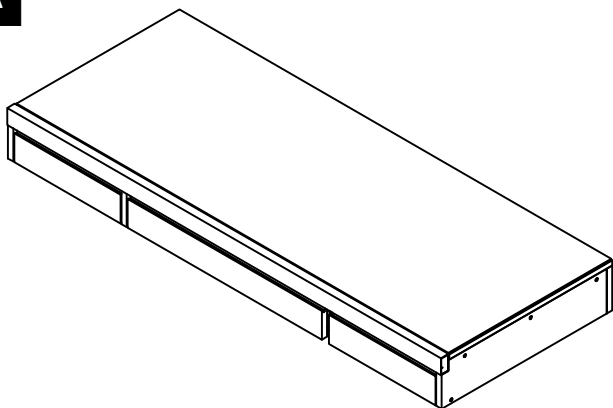
To help protect your wood furniture, take these steps:

- Use a humidifier, preferably one with an automatic control system that can sense the humidity level and adjust itself accordingly. Don't over-humidify; that can damage wood by causing it to expand and contract.
- Keep furniture out of direct sunlight, which can cause it to dry out, crack and warp.
- If you can avoid it, don't put furniture near heating vents. If you must, keep the piece 3 to 4 inches away from the wall, giving the heat and air space to circulate.
- Dust with soft dry cloth.
- Do not use liquid or aerosol products.
- To avoid marking, do not place rubber ON SURFACE (FOOT PADS, ETC)
- For soil build-up, wipe with damp cloth & dry.
- Do not use abrasive cleaner.

PRE-ASSEMBLY INFORMATION

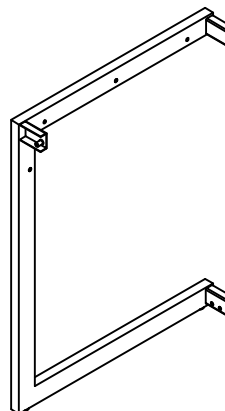
PART DESCRIPTION

A



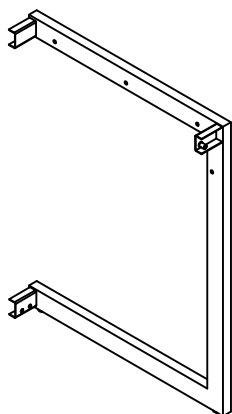
TOP
QTY 1

BL



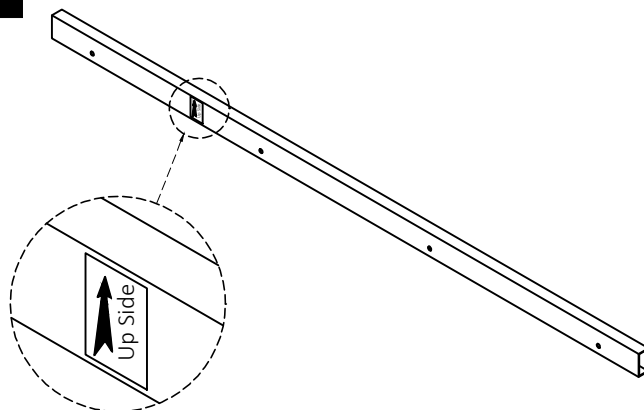
LEFT SIDE
QTY 1

BR



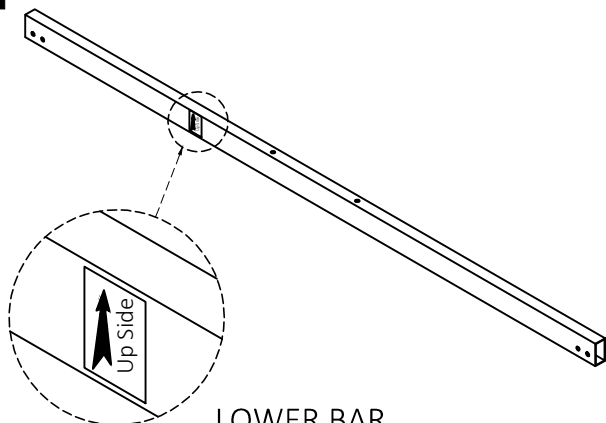
RIGHT SIDE
QTY 1

C



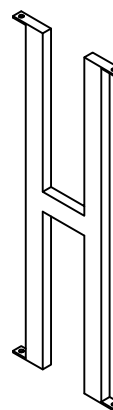
UPPER BAR
QTY 1

D



LOWER BAR
QTY 1

E



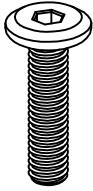
BACK FRAME SUPPORT
QTY 1

NEED HELP? For help with assembly or if you are missing a part,
Please call customer service

PRE-ASSEMBLY INFORMATION

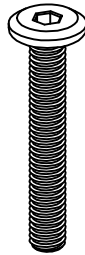
HARDWARE DESCRIPTION

1



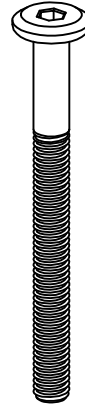
ALLEN KEY BOLT
M6 X 20mm
QTY 14

2



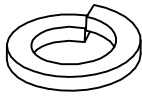
ALLEN KEY BOLT
M6 X 35mm
QTY 6

3



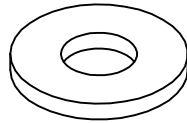
ALLEN KEY BOLT
M6 X 60mm
QTY 6

4



LOCK WASHER
Ø10 / Ø6 x 1.5 mm
QTY 26

5



WASHER
Ø16 / Ø6 x 1 mm
QTY 26

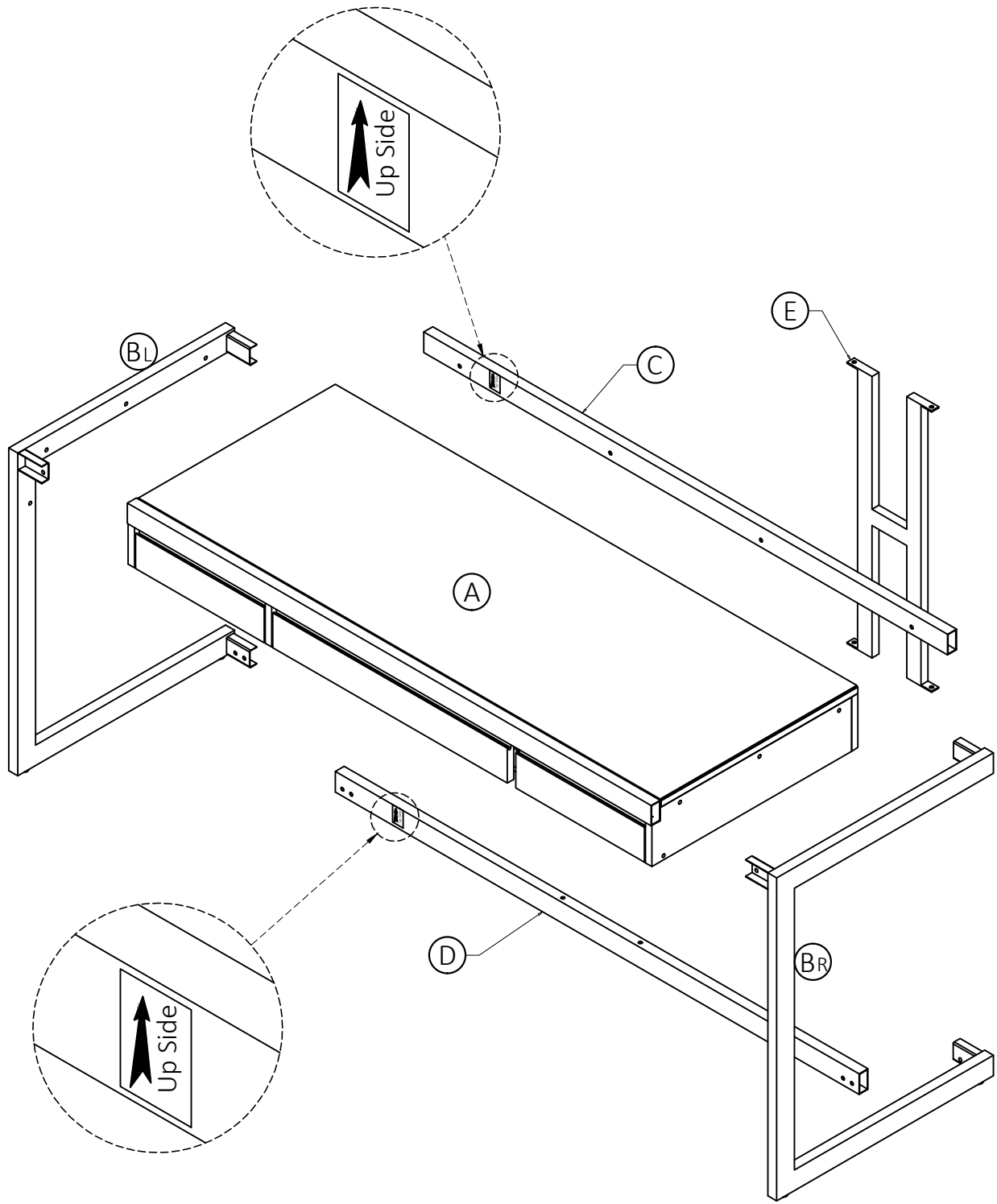
6



ALLEN KEY
QTY 1

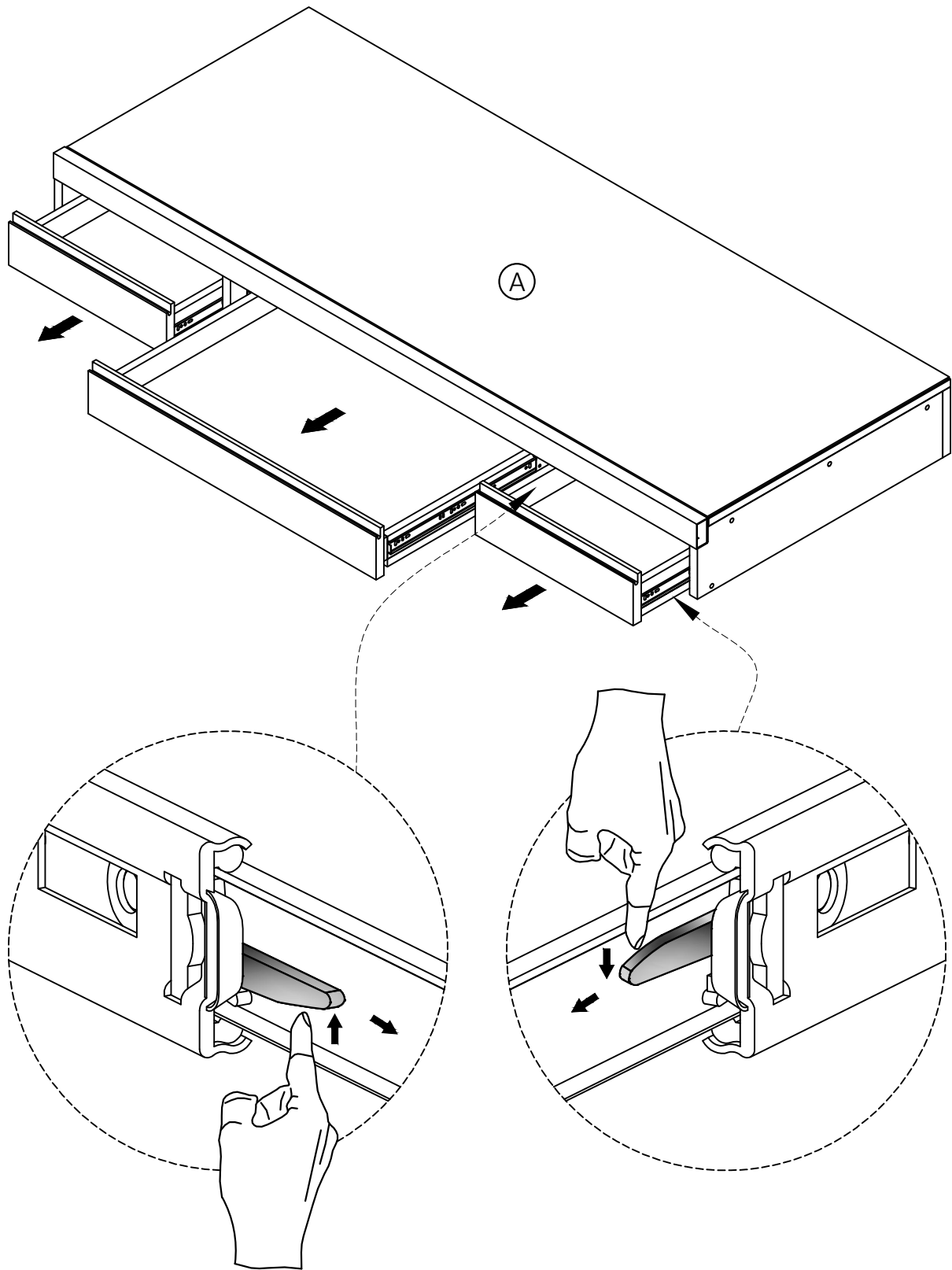
NEED HELP? For help with assembly or if you are missing a part,
Please call customer service

COMPONENTS-KEY DIAGRAM



ASSEMBLY

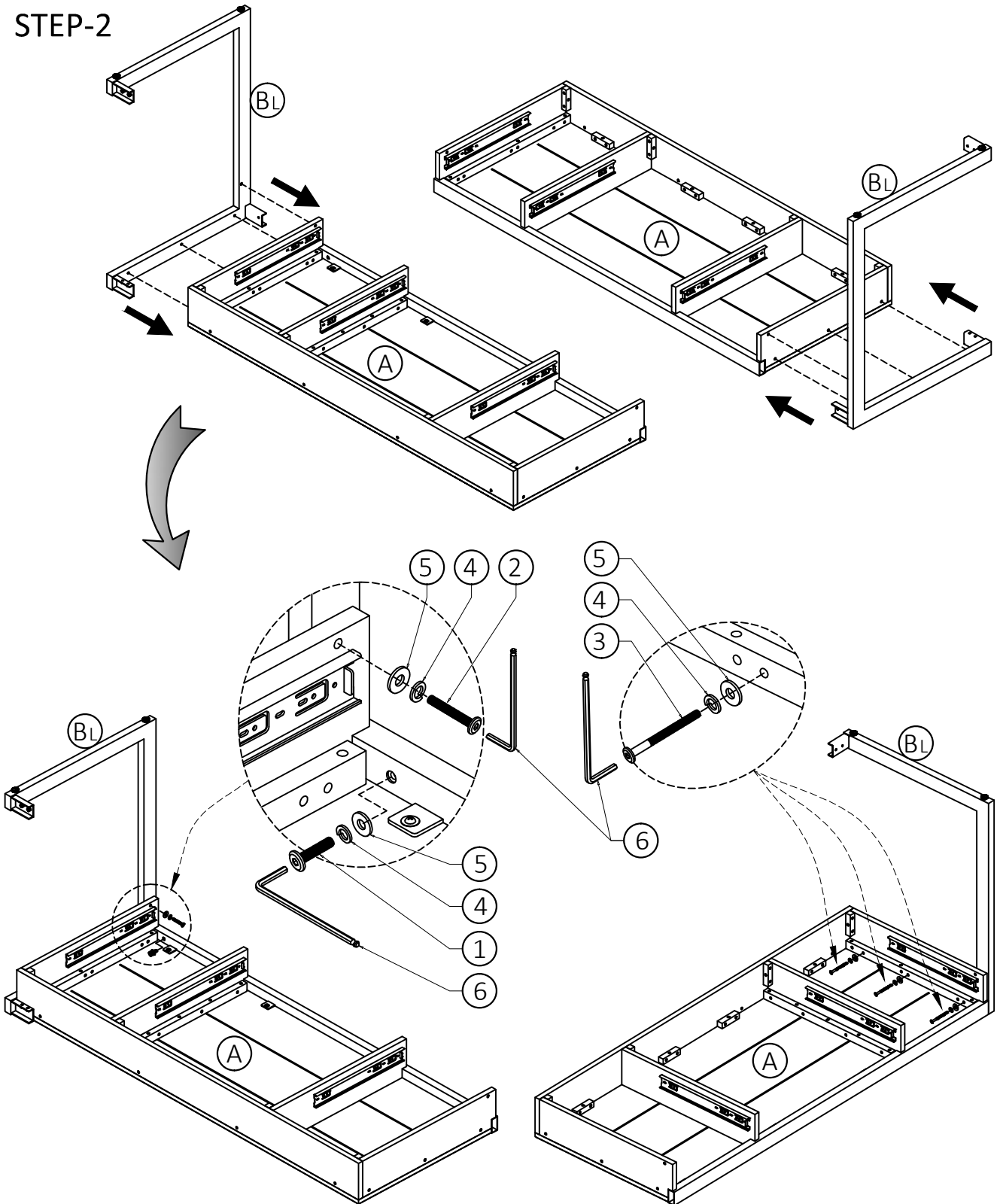
STEP-1



1. Remove the drawers from Top (A) by pressing the locks on the glides.

ASSEMBLY

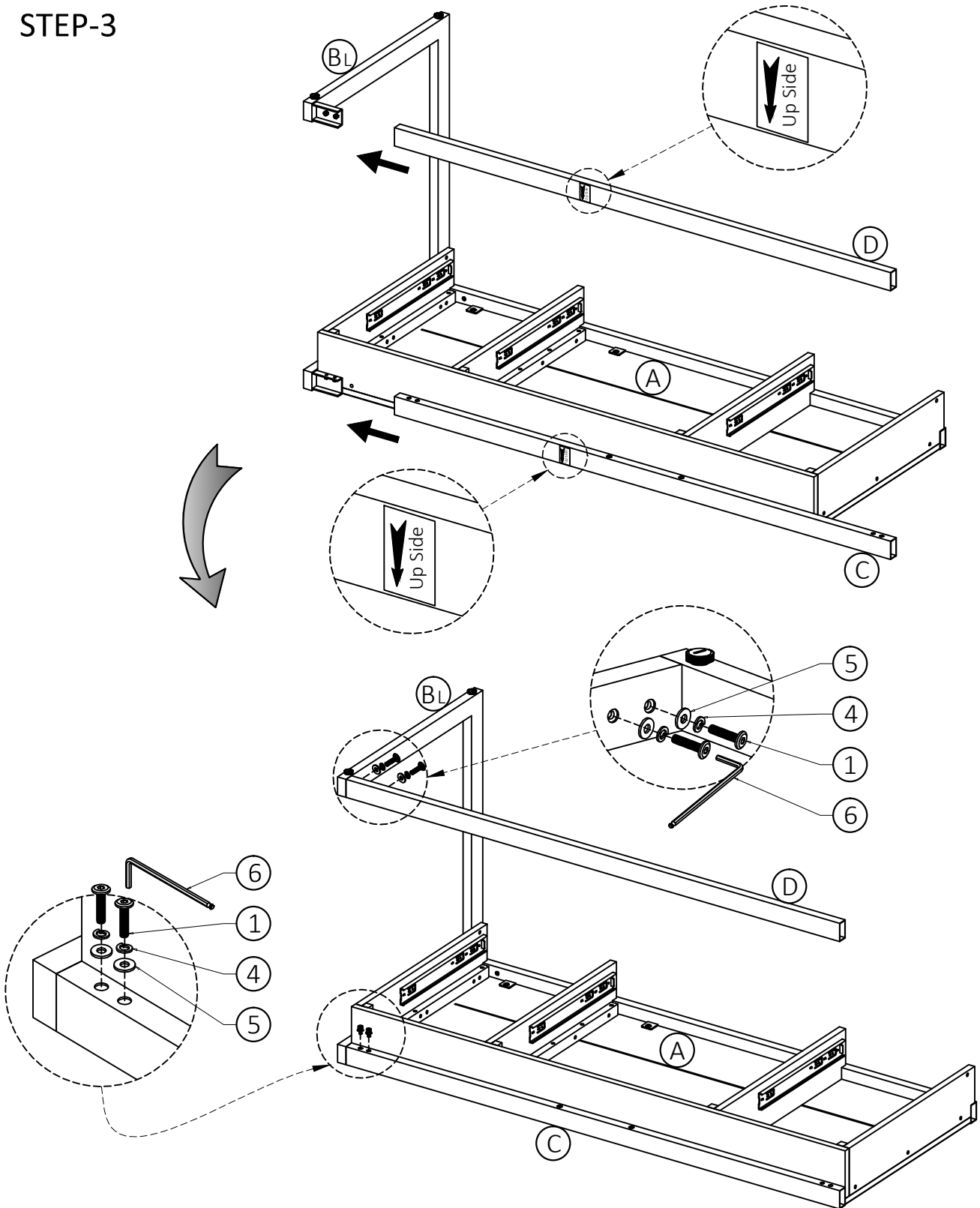
STEP-2



1. Align Left Side (BL) to Top (A).
2. Use three Allen Key Bolts (3), three Lock Washers (4) and three Washers (5) to secure part (A) and (BL).
3. Use one Allen Key Bolt (2), one Lock Washer (4) and one Washer (5) to secure part (A) and (BL).
4. Use one Allen Key Bolt (1), one Lock Washer (4) and one Washer (5) to secure part (A) and (BL).
5. Use Allen Key (6) to tighten Bolts. Do not over-tighten.

ASSEMBLY

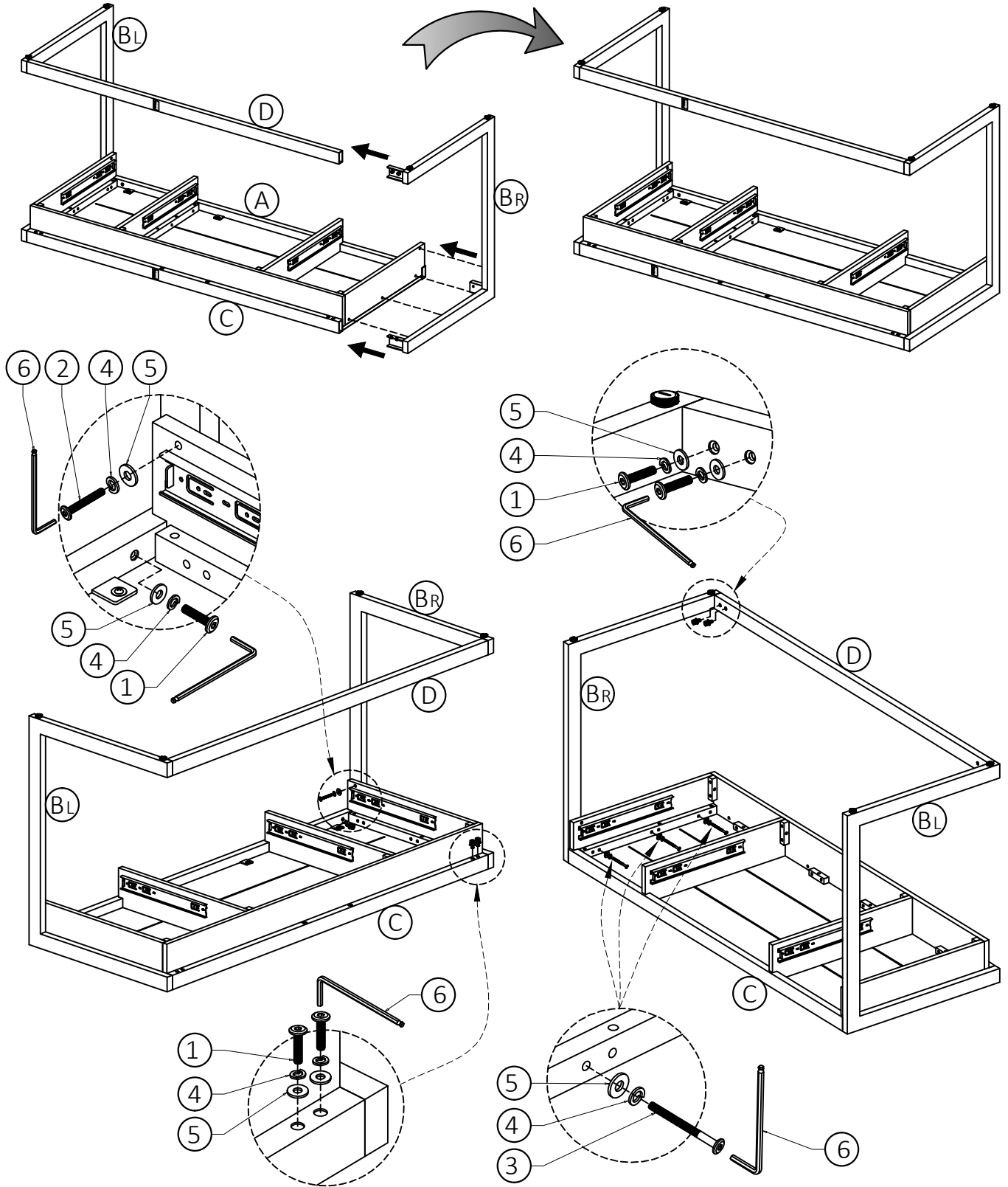
STEP-3



1. Align Upper Bar (C) and Lower Bar (D) to Left Side (BL).
2. Use two Allen Key Bolts (1), two Lock Washers (4) and two Washers (5) to secure part (C) and (BL).
3. Use two Allen key Bolts (1), two Lock Washers (4) and two Washers (5) to secure part (D) and (BL).
4. Use Allen Key (6) to tighten Bolts. Do not over-tighten.

ASSEMBLY

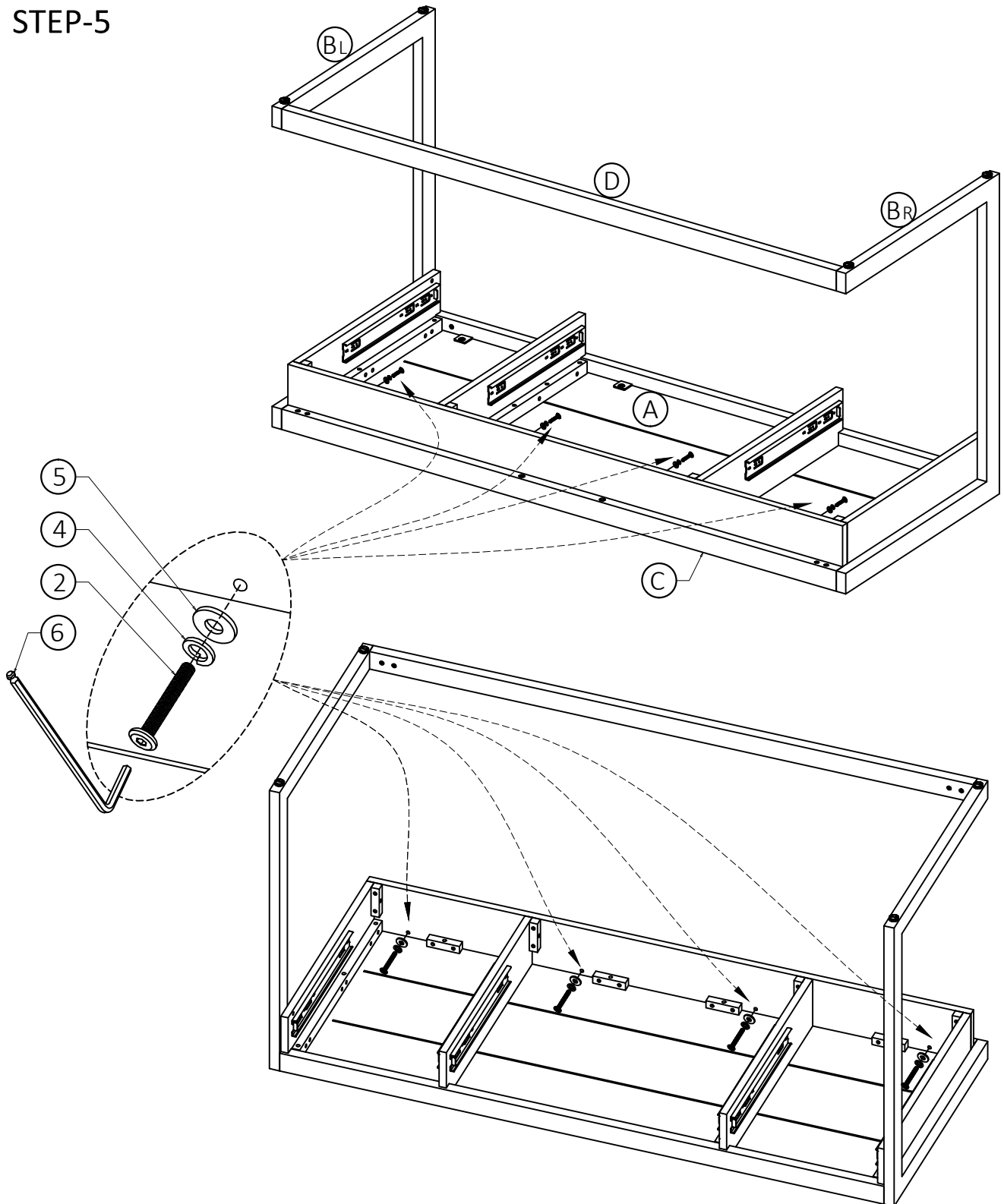
STEP-4



1. Align Right Side (BR) to Top (A), Lower Bar (D) and Upper Bar (C).
2. Repeat Step-3 and Step-4 for Right Side (BR).

ASSEMBLY

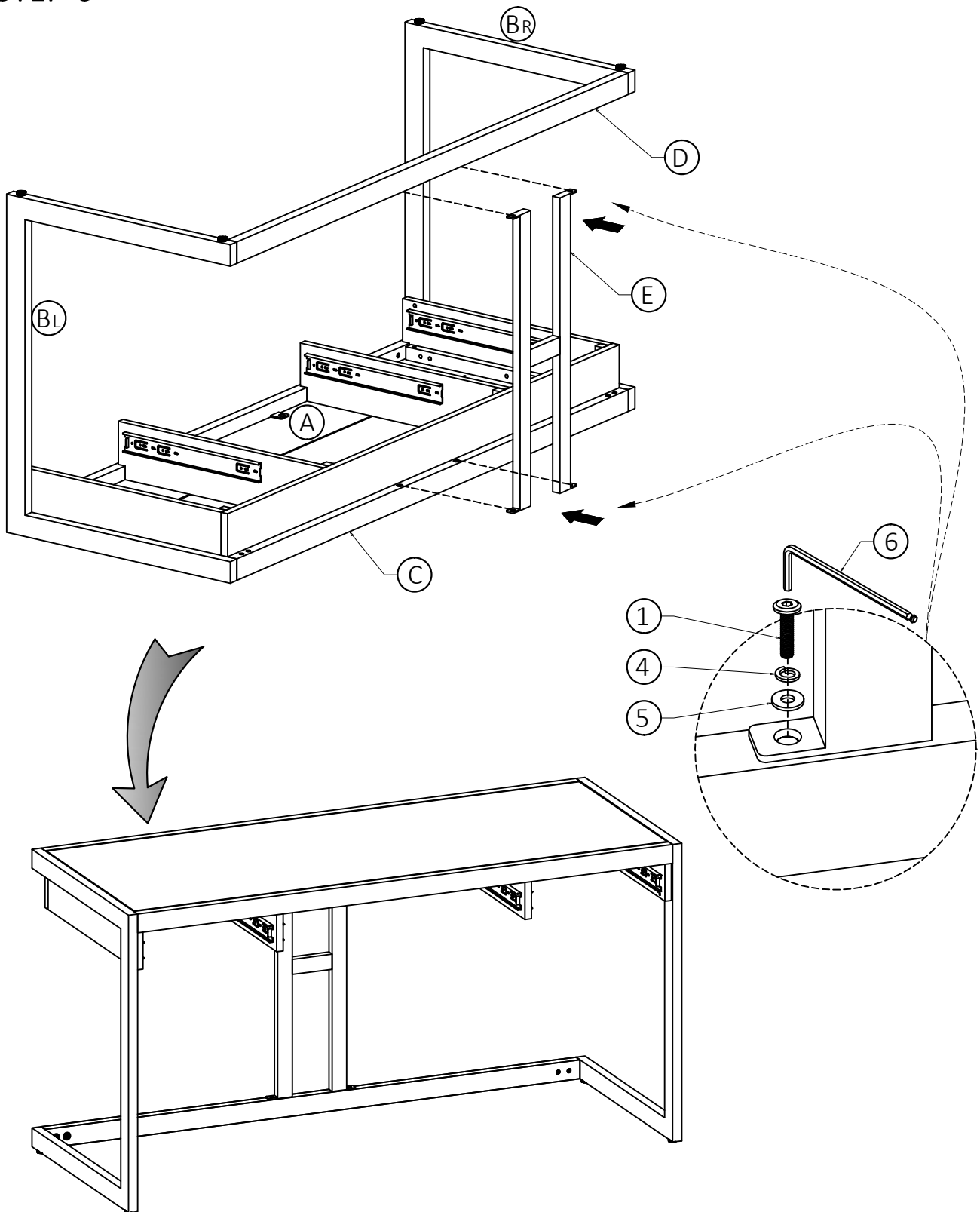
STEP-5



1. Use four Allen Key Bolts (2), four Lock Washers (4) and four Washers (5) to secure part (C) and (A).
2. Use Allen Key (6) to tighten Bolts. Do not over-tighten.

ASSEMBLY

STEP-6

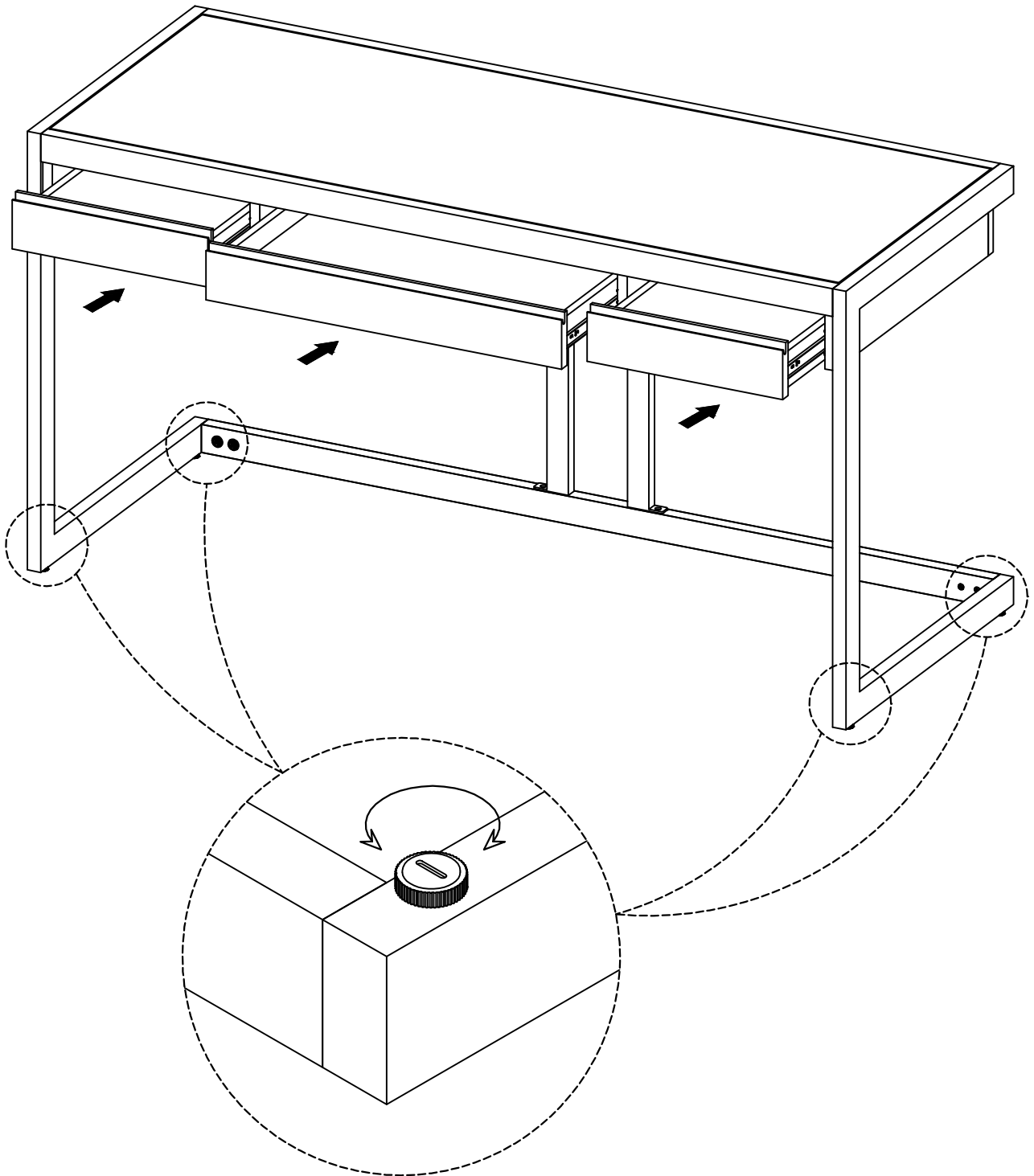


1. Attach Back Frame Support (E) to Upper Bar (C) and Lower Bar (D).
2. Use four Allen Key Bolts (1), four Lock Washers (4) and four Washers (5) to secure part (E), (C) with (D).
3. Use Allen Key (6) to tighten Bolts. Do not over-tighten.

ASSEMBLY

STEP-7

1. Insert assembled drawers into glides on assembled desk.
2. Drawers will lock into place with plastic locks on the drawer glides.



Note: Levelers on bottom of legs can be adjusted if floor is uneven.

WARRANTY

Thank you for purchasing product. These products have been made to demanding, high-quality standards and are guaranteed for domestic use against manufacturing faults for a period of 12 months from the date of purchase. This warranty does not affect your statutory rights.

In case of any malfunction of your product (failure, missing parts, etc.) please contact us at our toll free service line or by email

We reserve the right to repair or replace the defective product, at its discretion.

This product is guaranteed for 12 months if used for normal purposes. Any warranty is invalid if the product has been overloaded or subject to neglect, improper use or an attempted repair by other than an authorized agent. Heavy-duty or daily professional/commercial usage are not guaranteed.

Due to continuous product improvement, we reserve the right to change the product specifications without prior notice.