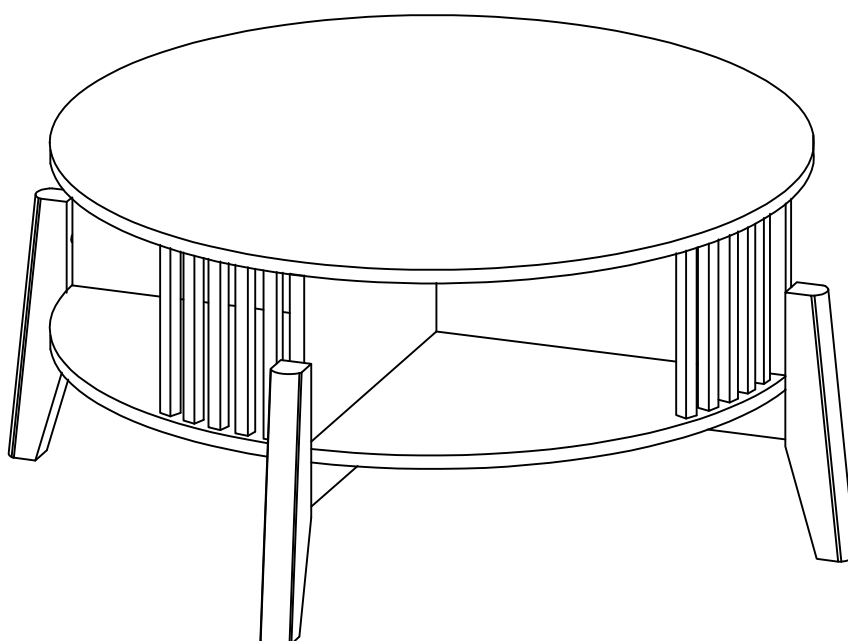


Round Coffee Table



ASSEMBLY INSTRUCTIONS



60 min. assembly

2 person

*The estimated assembly time may vary depending on the individual.

Hey, there

Now is assembly time!

Deeeeeeep breathe.... and again....
Tools ready,
Easy peasy!

Estimated



60 min. assembly
2 person

Tools Required

- Allen Key (included)
- Screw Driver (not included)
- Hammer (not included)

important: Cautious when you use power tools

Need Help?

Call us at +1 909 548 6688
Email customerservice@luxenhome.com
Submit a ticket on www.luxenhome.com/help

Thank you for purchasing this LuxenHome product. This product has been manufactured with the highest standards of safety and quality.

PLEASE READ ALL INSTRUCTIONS CAREFULLY BEFORE ASSEMBLY.

Unpack all parts from the packaging inside the carton to ensure there are no missing or damaged parts. Lay out all the product parts on a clean, flat, and soft surface to prevent scratches. Refer to the steps provided as assembling guide.

Do not attempt to assemble or use the product if any parts are missing or damaged.

REMINDERS

SAFE USAGE IS KEY

Your well-being is our top priority when you use our product. Please prioritize your safety by diligently following the assembly guidelines and inspecting the product carefully both when it arrives and before each use.

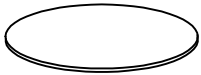
Please be aware that LuxenHome and Winsome House, Inc. cannot be held liable for any injuries or fatalities that occur due to not adhering to the provided instruction or misuse of the product.

DO NOT MODIFY

Our products undergo rigorous testing to ensure they meet established safety standards before being released for sale. Altering the product in any way can lead to serious safety concerns, for which LuxenHome cannot assume responsibility.

What's in the box

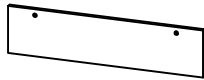
Parts



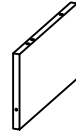
① x 1
Top Panel



② x 1
Bottom Panel



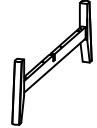
③ x 1
Middle Panel



④ x 2
Center Panel



⑤ x 20
Cabinet Frame



⑥ x 1
Down Leg Frame

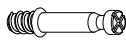


⑦ x 1
Up Leg Frame

Hardware & accessory



Ⓐ1

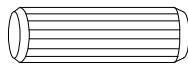


Ⓐ2



Ⓐ3

Ⓐ x 6 SETS + 2
Minifix



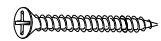
Ⓑ x 12 + 2
M8 x 30mm



Ⓒ x 6 + 2
M6 x 50mm



Ⓓ x 1



Ⓔ x 8 + 2
M4 x 38mm

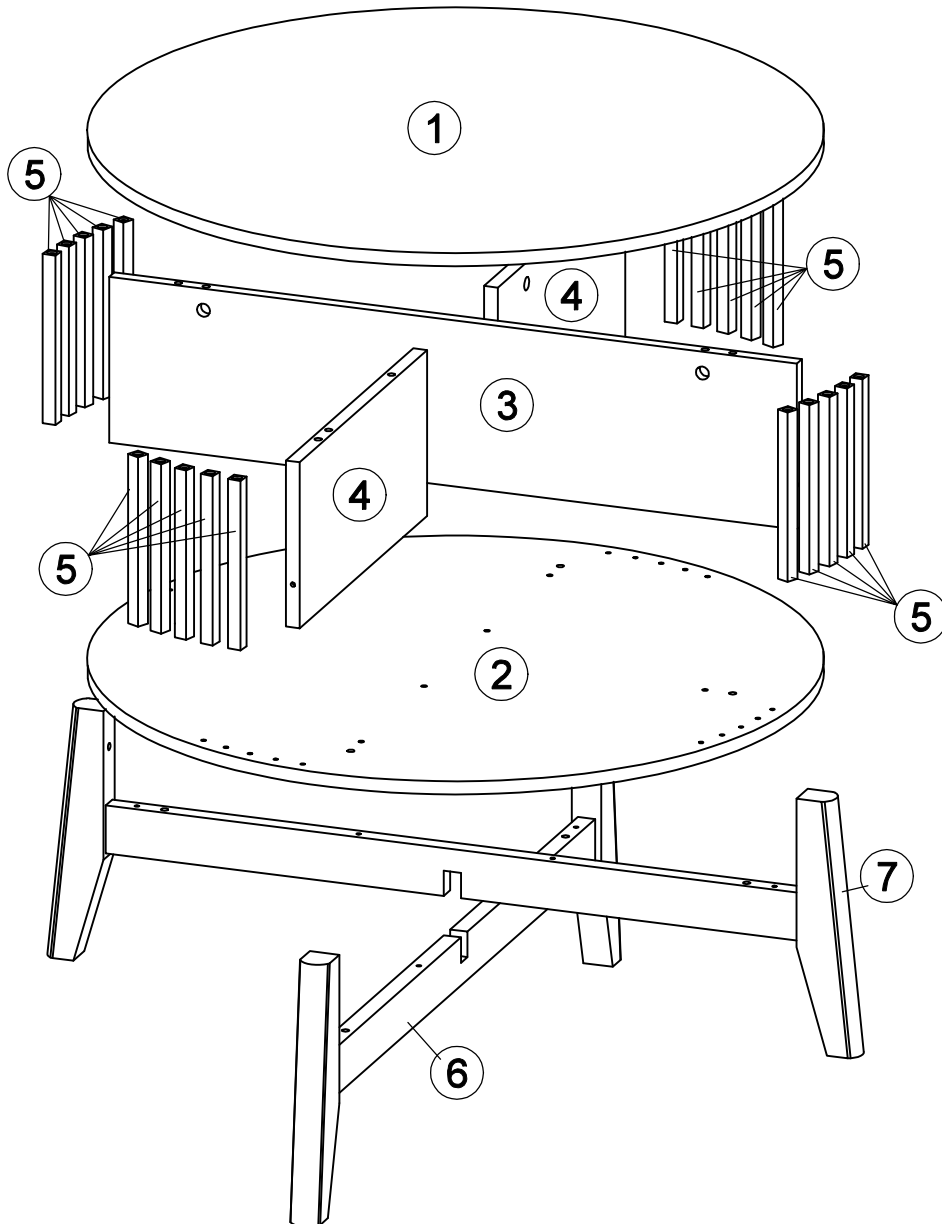


Ⓕ x 4 + 2




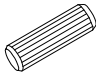
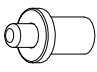
Ⓖ x 44 + 2

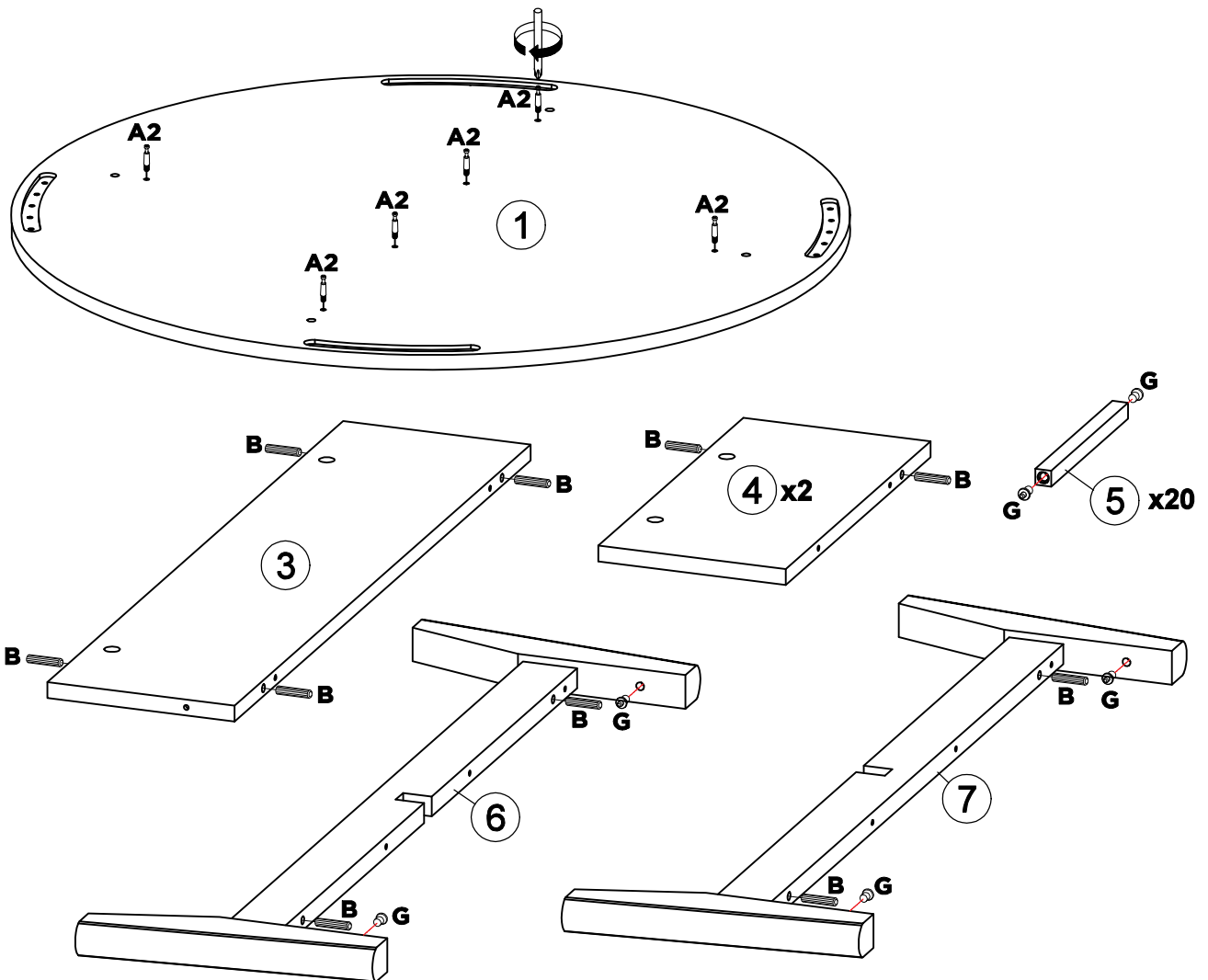
Assembly



Step 1



- Insert hardware A2 onto panel (1).
(Repeat 6 times.)
- Insert hardware B to panel (3), (4), (6) and (7).
(Repeat 12 times.)
- Insert hardware G to panel (5), (6) and (7).
(Repeat 44 times.)

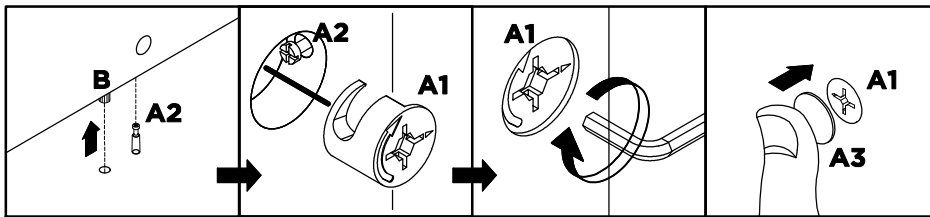
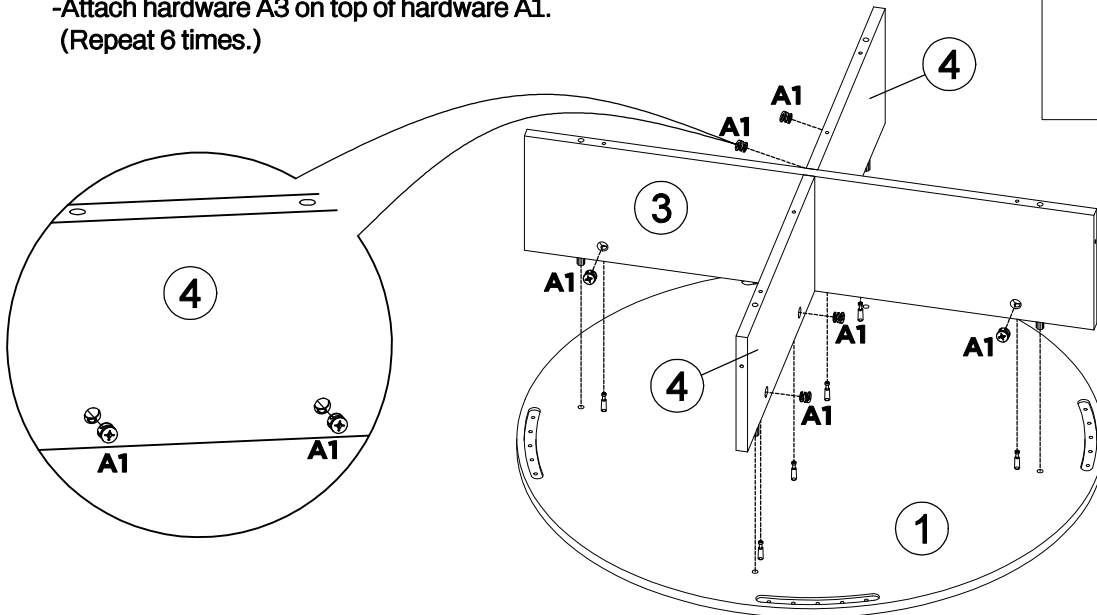
| A2 x 6 | B x 12 | G x 44 |
|--|--|---|
|  |  M8 x 30mm |  |



Step 2

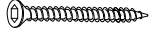
- Connect panel (3) and (4) to panel (1) by using hardware A1.
- Attach hardware A3 on top of hardware A1.
- (Repeat 6 times.)

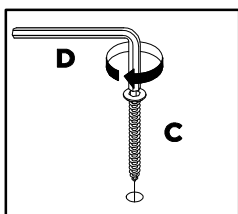
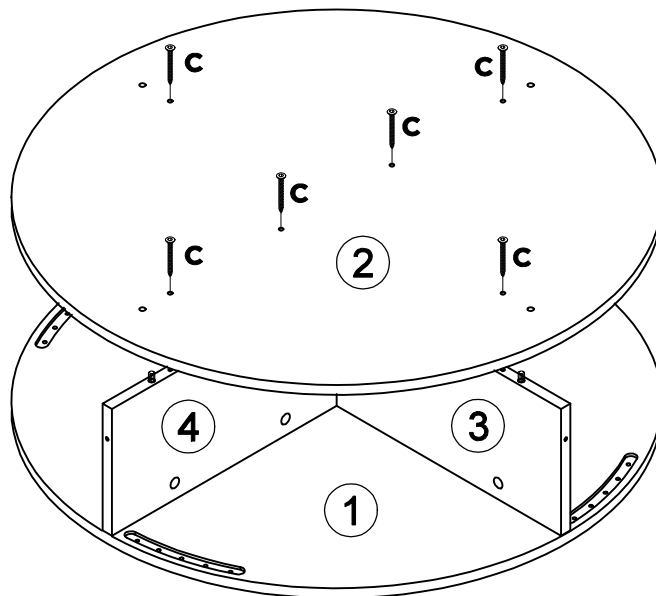
| | |
|---|---|
| A1 x 6 | A3 x 6 |
|  |  |



Step 3

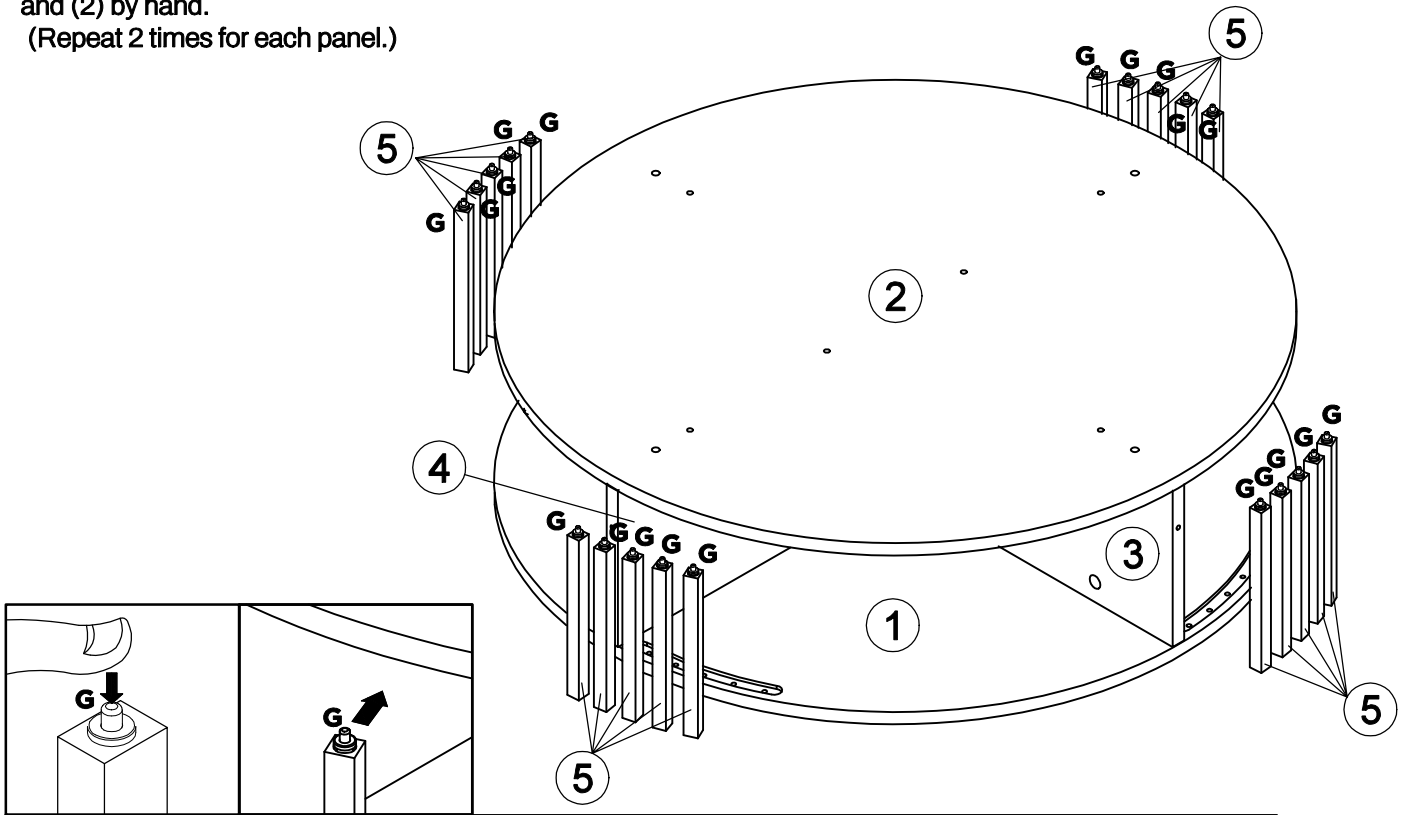
- Connect panel (2) to panel (3) and (4) by using hardware C.

| |
|---|
| C x 6 |
|  |
| M6 x 50mm |



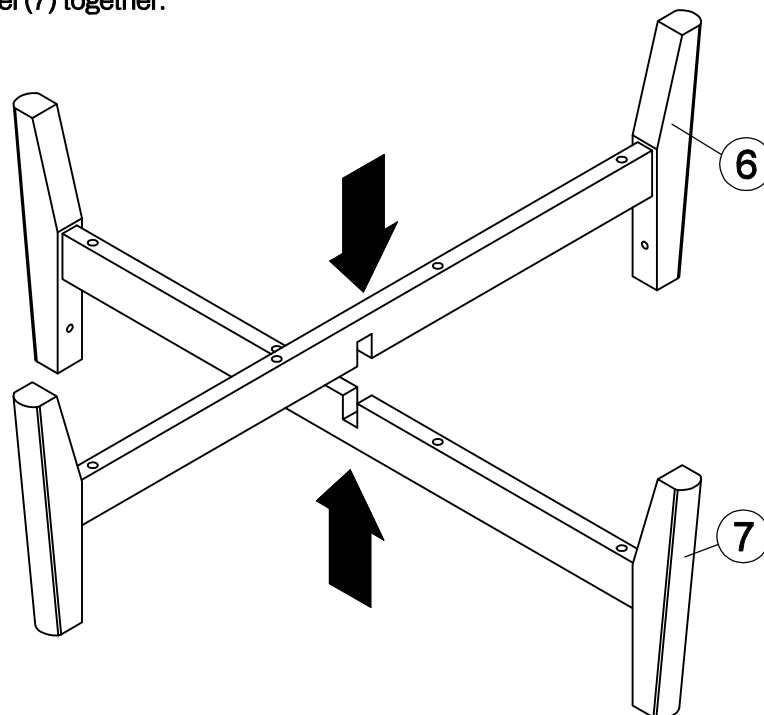
Step 4

-Assemble parts (5) into between panel (1) and (2) by pressing the attached hardware G into the groove on panel (1) and (2) by hand.
(Repeat 2 times for each panel.)



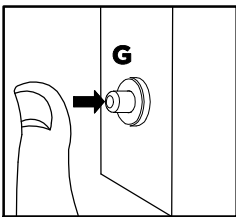
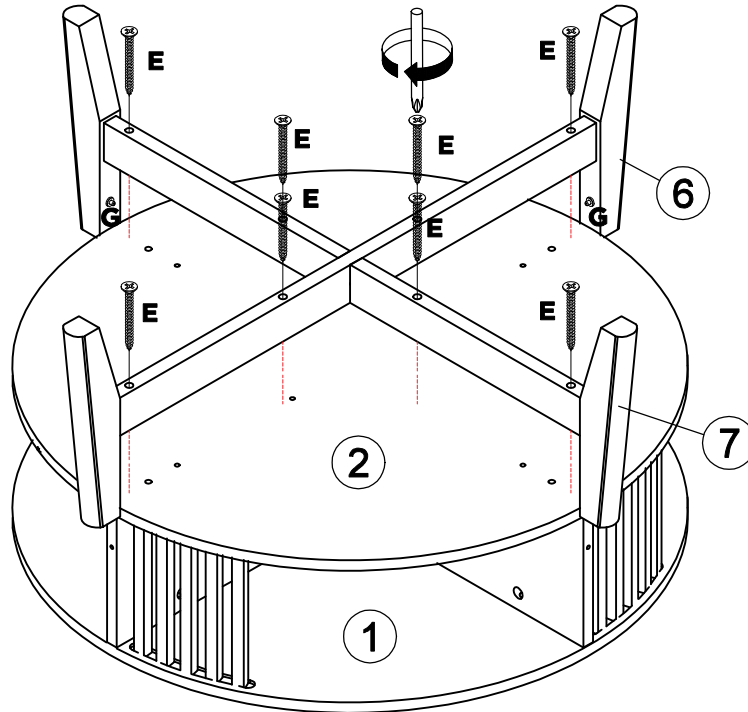
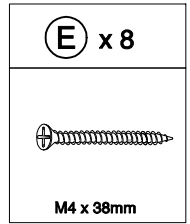
Step 5

-Attach panel (6) and panel (7) together.



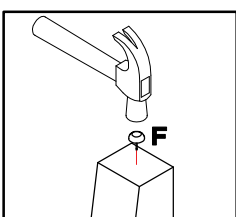
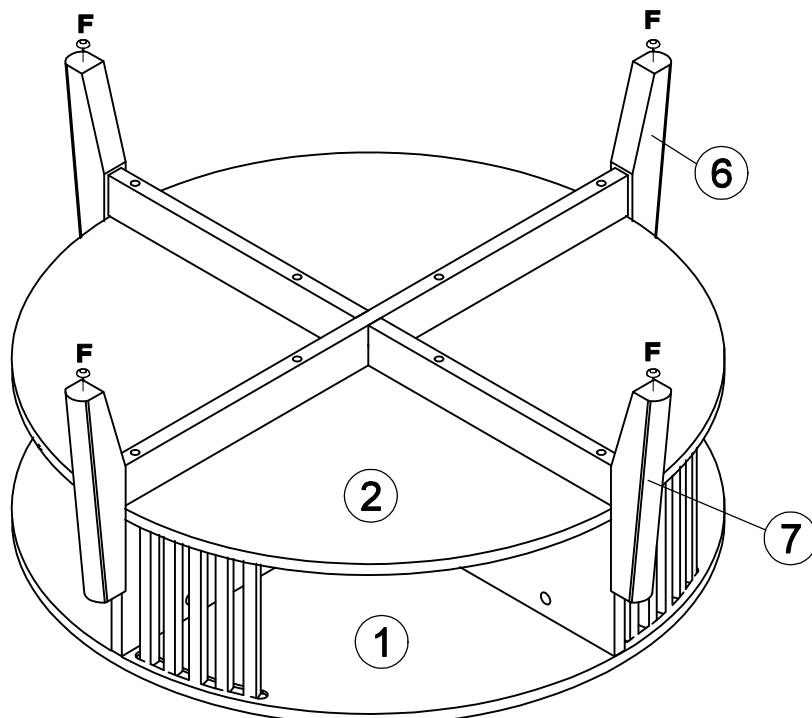
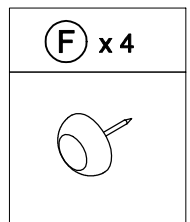
Step 6

- Assemble part (6) and (7) onto panel (3) and (4) by pressing the attached hardware G into the slot.
- Fix the assembled panel (6) and (7) to panel (2) by using hardware E.
(Repeat 8 times.)



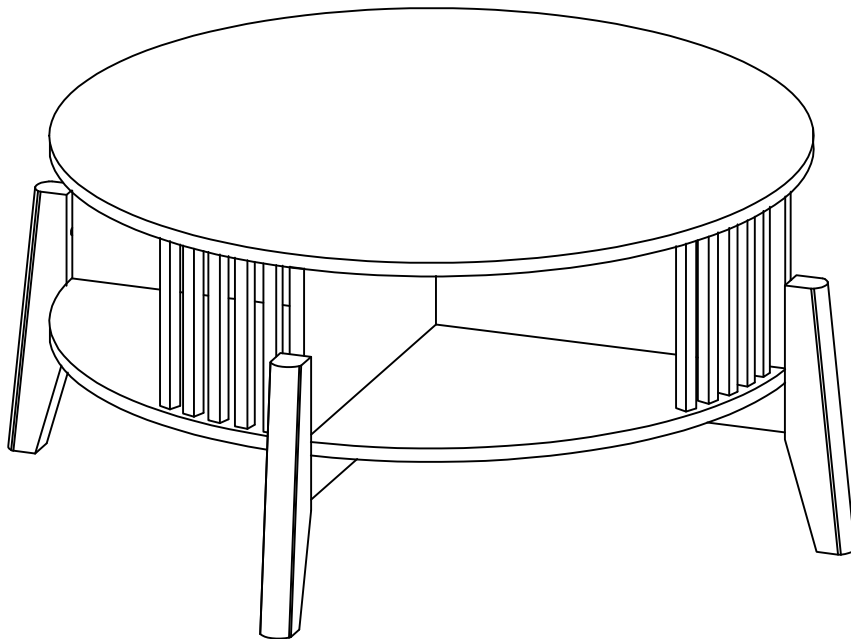
Step 7

- Hit hardware F into bottom of panel (6) and (7).



VOILA!

Now enjoy.



Warning

DO NOT stand on the table as this may damage the product and cause serious bodily injury.

Something not right?

We are always here to help.

We make mistake like every human does.

Though we always strive to provide the best possible product at competitive prices and the best service in the industry, it's not possible to completely eliminate mistakes. If you experience any dissatisfaction, feel free to contact us immediately. Our in-house customer care team will respond ASAP.

Things to do to expedite the process

- Have your order# ready
- Take photos/videos to help us better identify the issues.
- DO NOT throw away the packaging