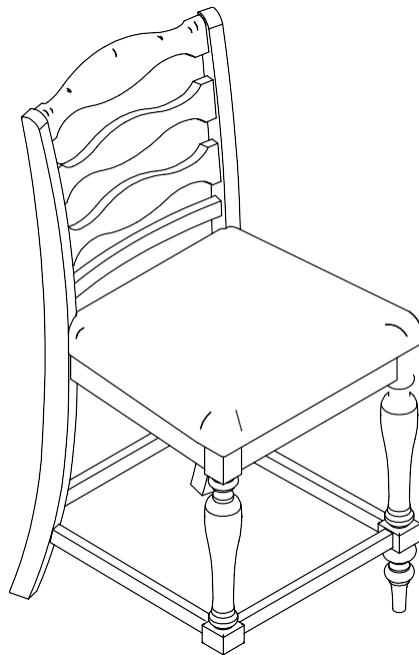


Furniture of America®

Assembly Instructions

For more information contact our team: service.ec@foagroup.com

WI3912PC-2PK

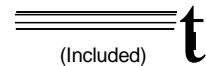


ASSEMBLY RATING

The Assembly Rating is a 5-point system that shows the degree of effort needed in assembling a specific product (with 1 being easy and 5 being difficult). For some products, two persons are recommended.

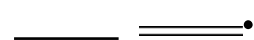
Tools Required For Assembly:

Allen Wrench



(Included)

Phillips Screwdriver



(Not Included)

EASY ○ ○ @ @ @ ○ 1 F F I C U L T

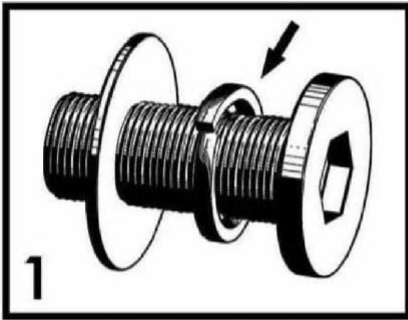


Furniture of America®

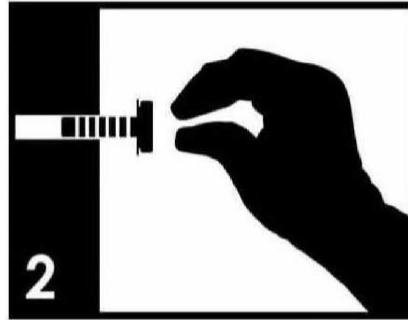
ASSEMBLY & CARE ADVICE

FOR YOUR FURNITURE TO LAST, CORRECT ASSEMBLY AND PROPER MAINTENANCE ARE NECESSARY. PLEASE FOLLOW THE INFORMATION PROVIDED BELOW TO FULLY ENJOY YOUR FURNITURE.

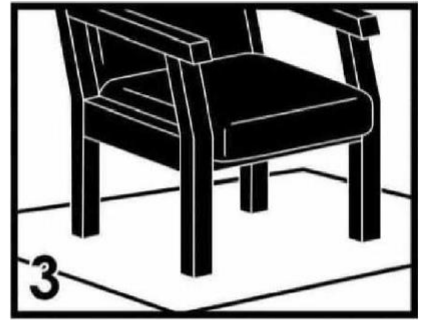
BASIC ASSEMBLY TECHNIQUES



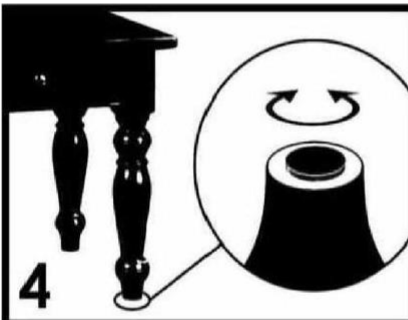
1 When lock or spring washer is used in an assembly, please make sure the lock or spring washer is placed between the larger flat washer and the head of the screw or bolt.



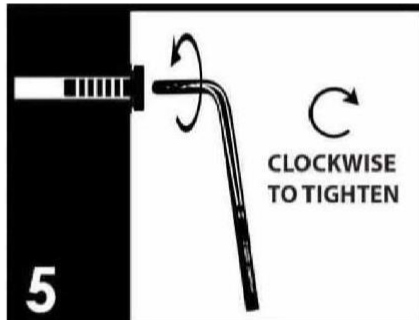
2 Position each part correctly and insert screws or bolts into their respective holes by hand tighten or using the proper hand tool. Only tighten when step is completed or when instructed to do so.



3 Use cardboard or carpet area when assembling furniture to prevent scratches. Make sure the furniture rests on a flat and level surface with each leg evenly touching the floor.



4 Some furniture comes with height adjustment knobs underneath each leg. To lower or to raise each leg, you need to turn clockwise or counterclockwise, respectively.

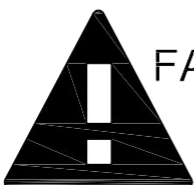


5 Make sure all parts are properly aligned, then use the appropriate hand tool to completely tighten the bolts or screws. Do not use power tools and do not overtighten.

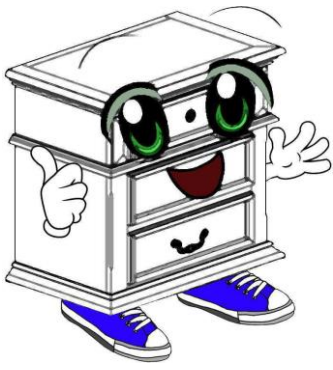


6 Save the instructions and store the Allen wrench or any supplied tool for later maintenance. After two weeks, check and tighten any loose hardware and repeat again every six months thereafter.

IT IS THE USER'S RESPONSIBILITY TO MAINTAIN THE FURNITURE. THE HARDWARE MAY LOOSEN OVER TIME AND MAY CAUSE THE FURNITURE TO BE WOBBLY AND UNABLE TO SUPPORT ITS INTENDED WEIGHT CAPACITY. THIS MAY LEAD TO COLLAPSE AND MAY CAUSE SERIOUS INJURY.



FAILURE TO FOLLOW THE GUIDELINES ABOVE MAY RESULT IN INJURY AND/OR PROPERTY DAMAGE.

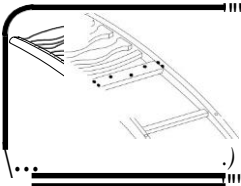


Before you begin, please read Page 2 of "Assembly and Care Advice".

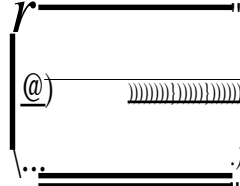
And remember, do not tighten until each step is completed or instructed.

Parts List

Hardware List



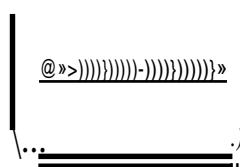
#1 x 1pc x 2
Chair Back



#Ax 4pcs x 2
Bolt 01 / 4 x 3 1/8"



#2 x 1pc x 2
Cushion Seat



#Bx 4pcs x 2
Bolt 01 / 4" x 2 1/4"



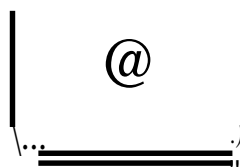
#3 x 2pcs x 2
Front Leg(L&R)



#C x 3pcs x 2
Bolt 01/4" x 1 1/2"



#4 x 1pc x 2
Front Stretcher



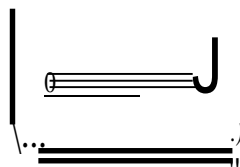
#D x 11pcs x 2
Lock Washer 01 / 4"



#5 x 2pcs x 2
Side Stretcher (L&R)



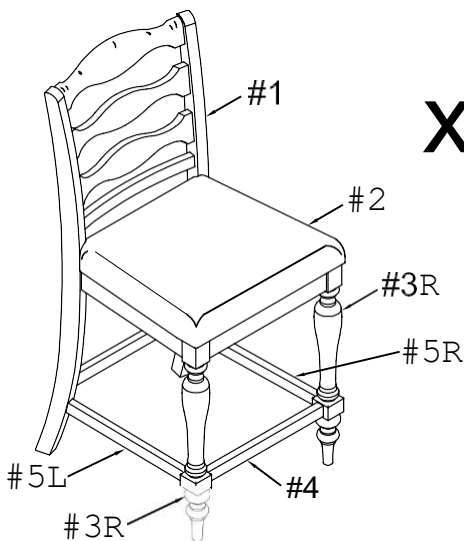
#Ex 11pcs x 2
Flat Washer 01 / 4"



#F x 1pc x 2
Allen Wrench M4



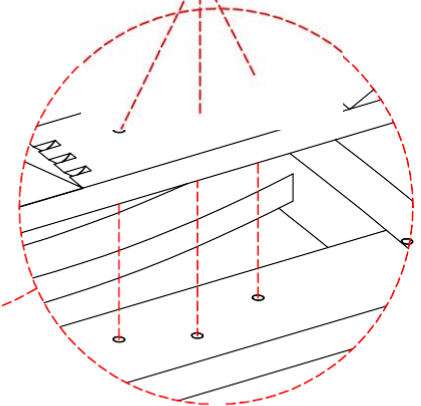
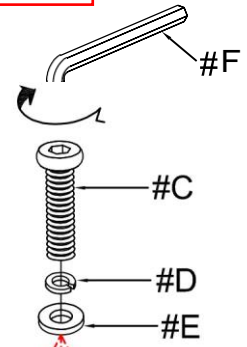
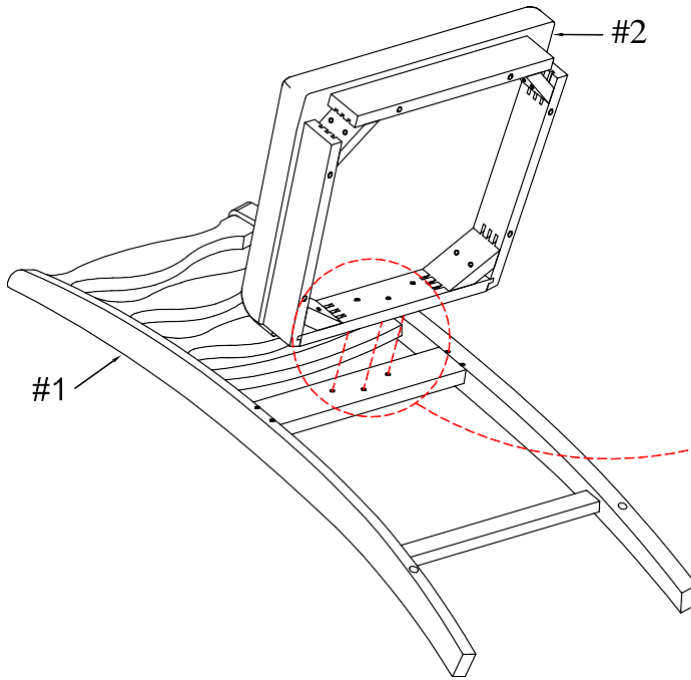
#G x 6pcs x 2
Screw #4 x 1 1/2"





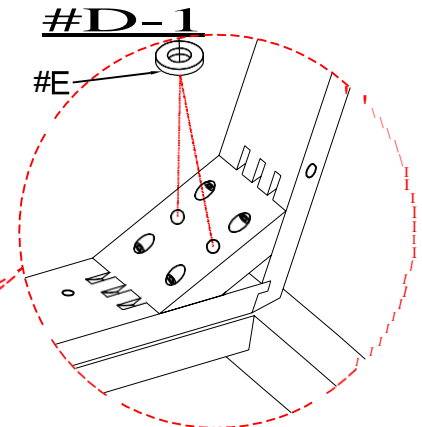
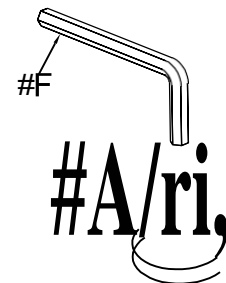
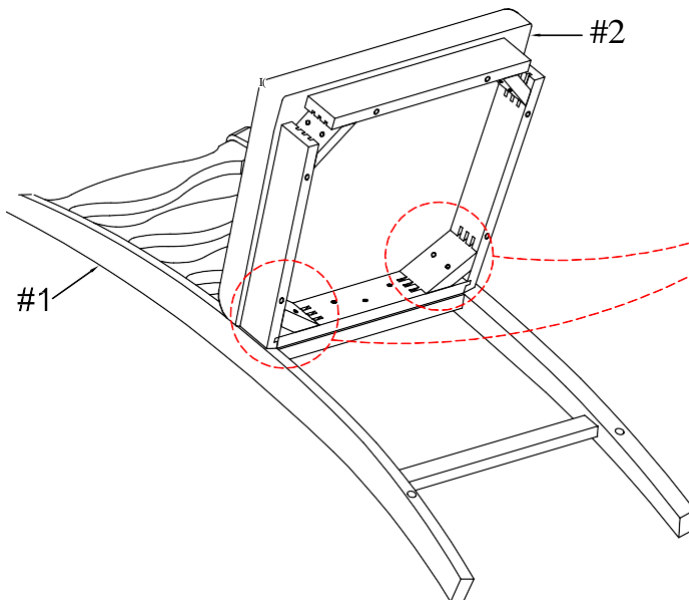
Prepare 3 bolts assembly by inserting lock washer (#D), then flat washer (#E) onto bolts (#C).
Align seat (#2) to the holes of the chair back (#1), then secure by using bolts (#C).

#C x 3 pcs
#D x 3 pcs
#Ex 3 pcs



Prepare 4 bolts assembly by inserting lock washer (#D), then flat washer (#E) onto bolts (#A). Secure corner holes of the seat (#2) to chair back (#1) by using bolts (#A).

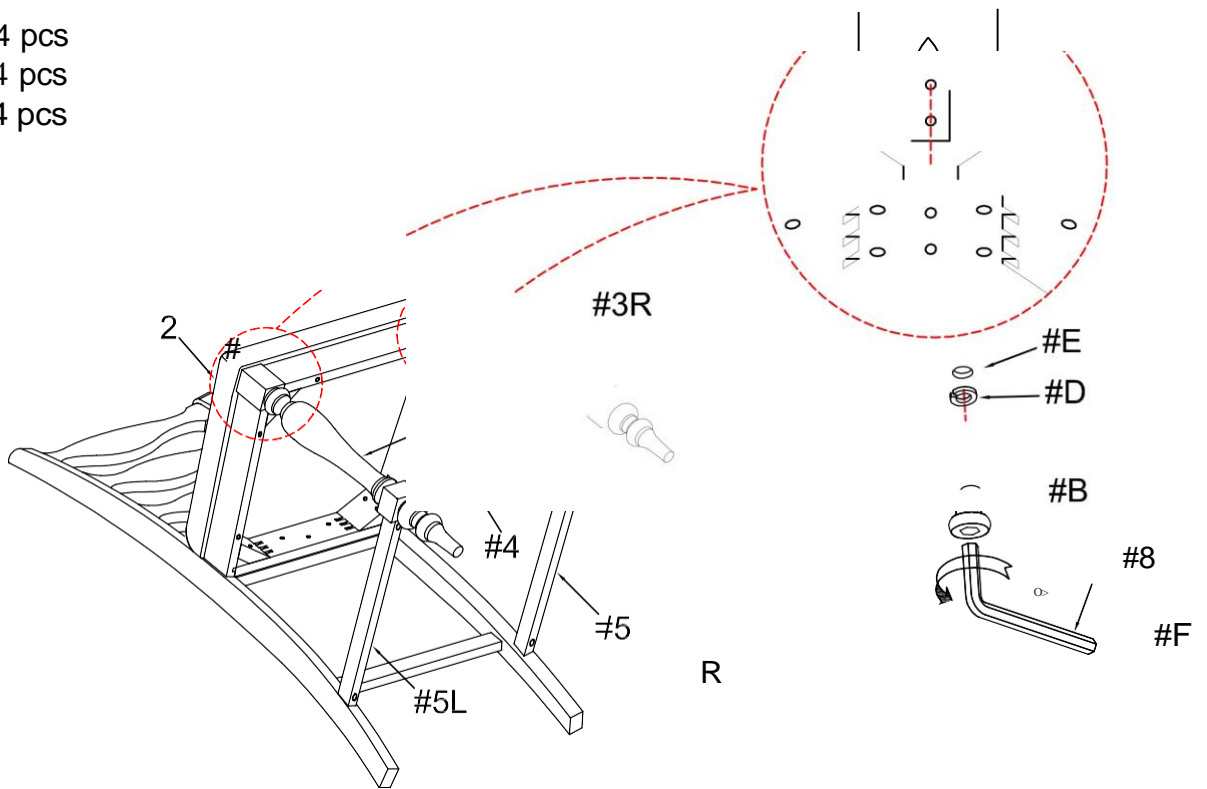
#Ax 4 pcs
#D x 4 pcs
#Ex 4 pcs





Prepare 4 bolts assembly by inserting lock washer (#D), then flat washer (#E) onto bolts (#B). Align front legs (#3R/L) to the holes of the seat (#2), then secure loosely by using bolts (#B). Align the stretchers (#4,5R/L) to the gaps of the legs and chair back legs. Fully tighten bolts (#B) on front legs.

- #8 x 4 pcs
- #0 x 4 pcs
- #Ex 4 pcs



Secure stretchers (#4,5R/L) by using screws (#G).

- #G x 6 pcs

