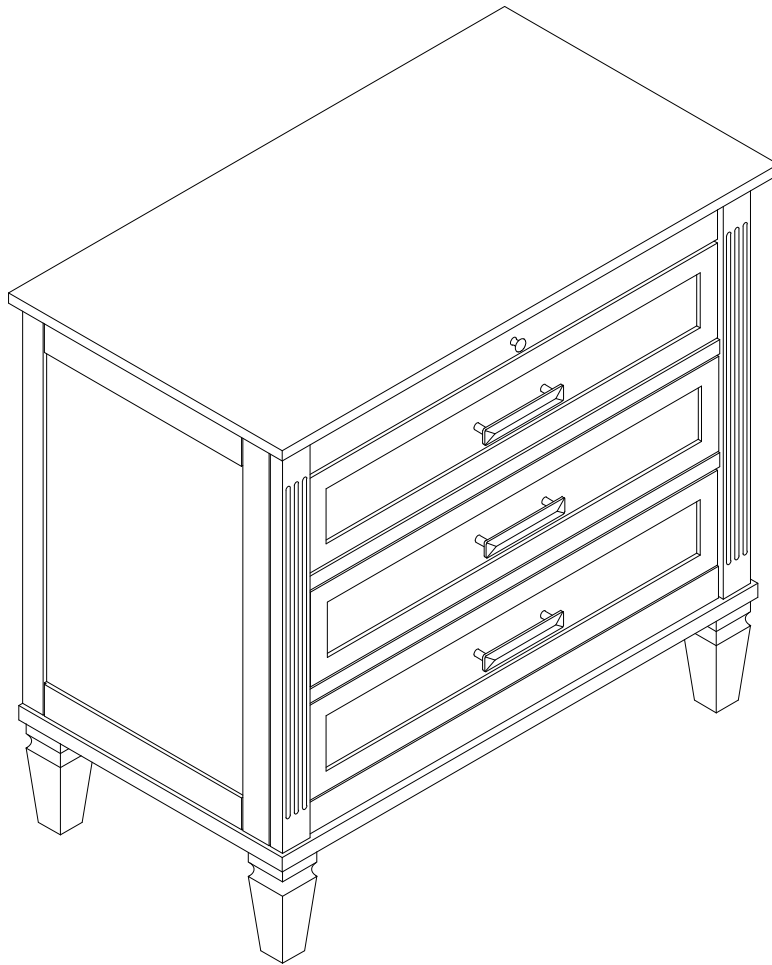


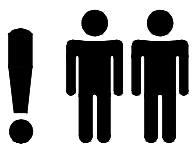
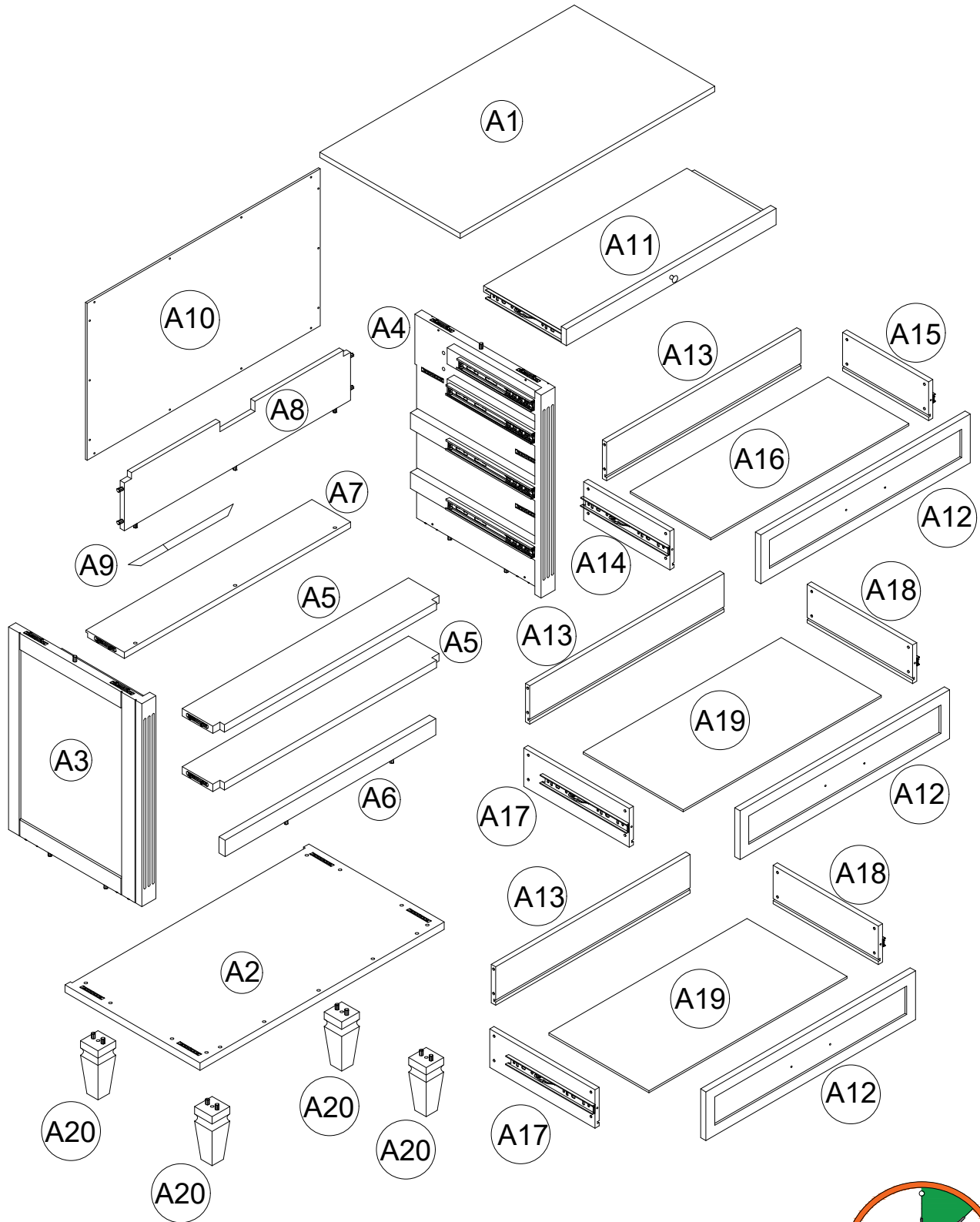
Owner Manual



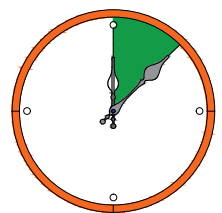
Thank you for purchasing the 3 Drawers End Table With Built In Outlets, USB+Type_C.

Please read the instructions and warnings carefully before use, to ensure safe and satisfactory operation of this product. We are committed to making great products possible. From our in-house Design Team, to our Buyers, we work together to bring great designs to life. Our expert Product Technologists work collaboratively with our buyers and suppliers to assure the legality, safety and quality of the product we sell. We are all committed to designing and developing products to the highest industry standards. We hope you are happy with your product and welcome any feedback or comments you may have.

Exploded Diagram

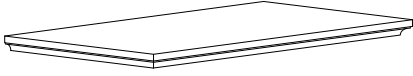
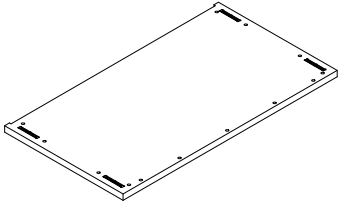
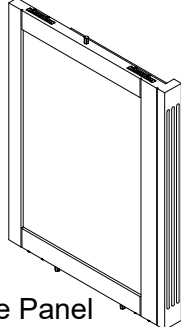
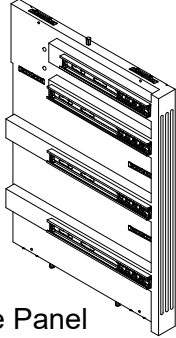
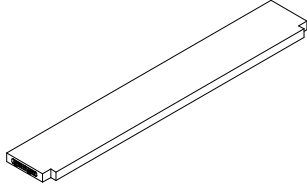
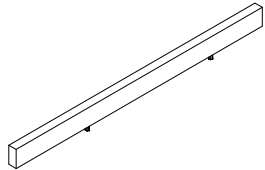
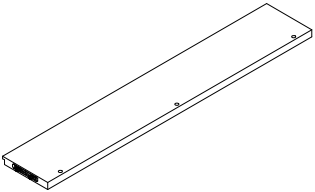
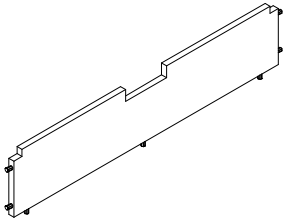
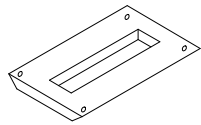
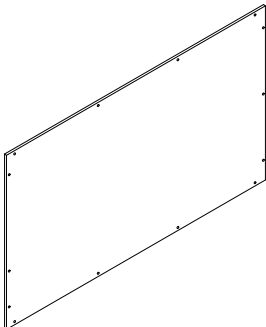
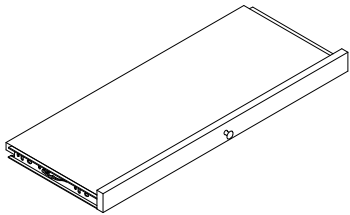
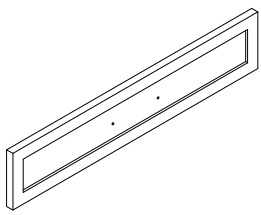
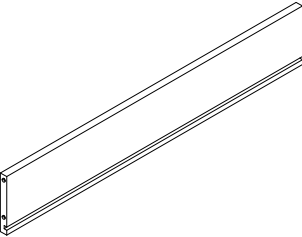
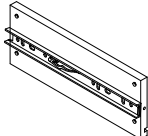
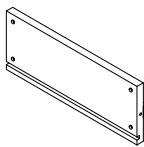


Recommend 2 or more adults for quicker assembly.



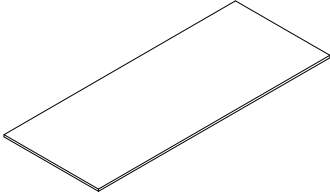
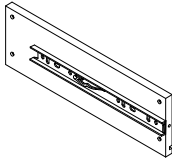
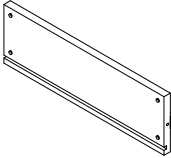
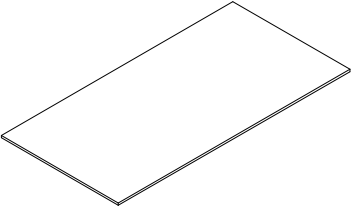

Around 45 min

PARTS LIST


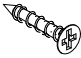
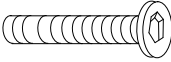
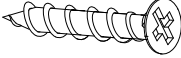
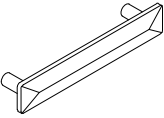
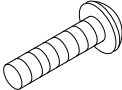
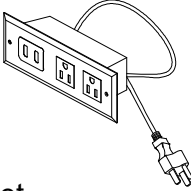
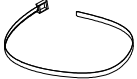
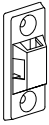
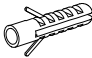


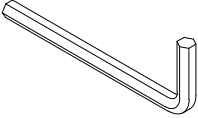
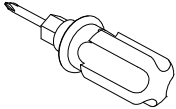
<p>A1 x1</p>  <p>Top Panel</p>	<p>A2 x1</p>  <p>Bottom Panel</p>	<p>A3 x1</p>  <p>Left Side Panel</p>
<p>A4 x1</p>  <p>Right Side Panel</p>	<p>A5 x2</p>  <p>Front Rail</p>	<p>A6 x1</p>  <p>Below Front Rail</p>
<p>A7 x1</p>  <p>Shelf Panel</p>	<p>A8 x1</p>  <p>Vertical Panel</p>	<p>A9 x1</p>  <p>Socket panel</p>
<p>A10 x1</p>  <p>Back Panel</p>	<p>A11 x1</p>  <p>Top Small Drawer</p>	<p>A12 x3</p>  <p>Drawer Front</p>
<p>A13 x3</p>  <p>Drawer back</p>	<p>A14 x1</p>  <p>Drawer Side Left</p>	<p>A15 x1</p>  <p>Drawer Side Right</p>

Be sure to check all packing material carefully for small parts, which may have come loose inside the carton during shipment.

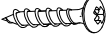
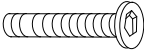
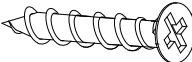
PARTS LIST

<p>A16 x1</p>  <p>Drawer Bottom</p>	<p>A17 x2</p>  <p>Big Drawer Side Left</p>	<p>A18 x2</p>  <p>Big Drawer Side Right</p>
<p>A19 x2</p>  <p>Big Drawer Bottom</p>	<p>A20 x4</p>  <p>Leg</p>	



HARDWARE LIST

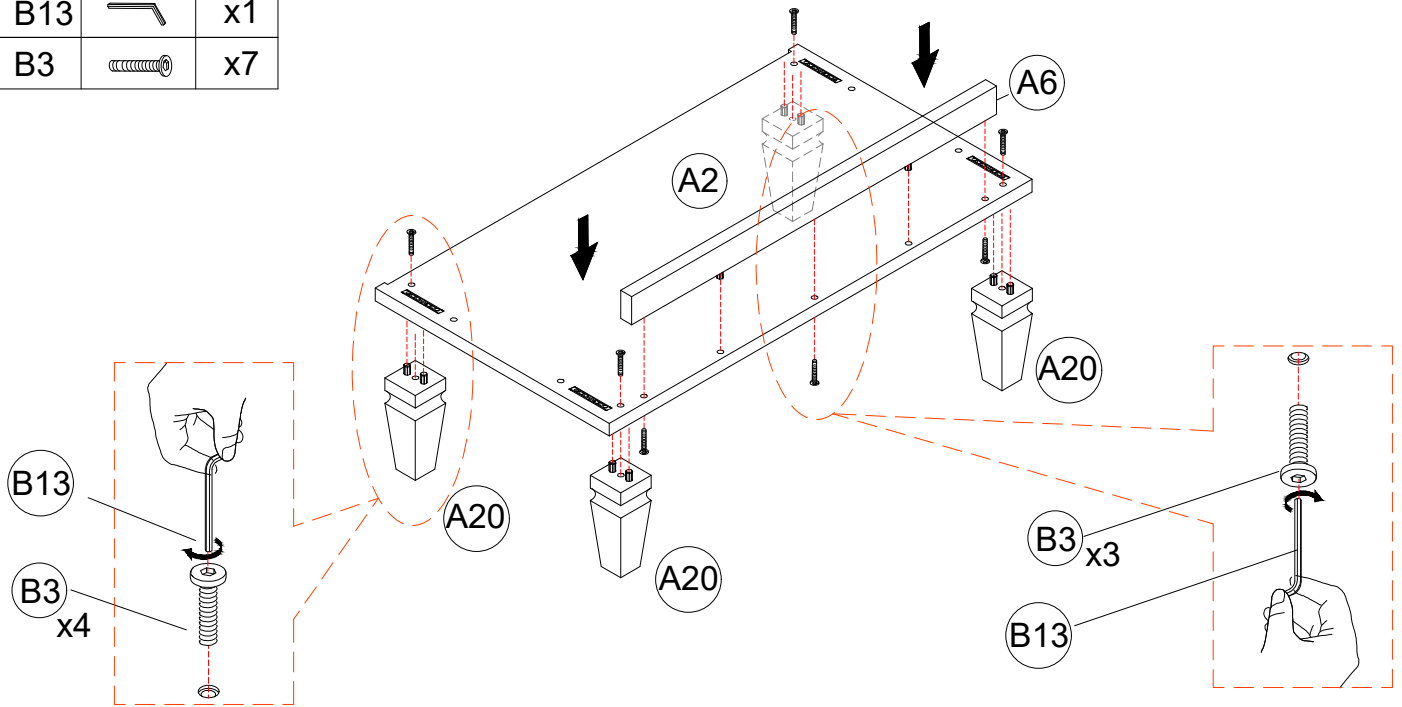
<p>B1 x14</p>  <p>Screw Ø3*15MM</p>	<p>B2 x2</p>  <p>Screw Ø3*12MM</p>	<p>B3 x7</p>  <p>Allen Bolt Ø1/4"x 40MM</p>	<p>B4 x30</p>  <p>Screw Ø4*25MM</p>
<p>B5 x3</p>  <p>Knob</p>	<p>B6 x6</p>  <p>Knob Bolt M4*22MM</p>	<p>B7 x1</p>  <p>Socket</p>	<p>B8 x1</p>  <p>Tie</p>
<p>B9 x2</p>  <p>Bracket</p>	<p>B10 x2</p>  <p>Anchor</p>	<p>B11 x2</p>  <p>Screw Ø4*38MM</p>	<p>B12 x2</p>  <p>Screw Ø3*20MM</p>
<p>B13 x1</p>  <p>Allen Wrench</p>	<p>B14 x1</p>  <p>Screw driver</p>		

SPARE LIST

<p>B1 x1</p>  <p>Screw Ø3*15MM</p>	<p>B3 x1</p>  <p>Allen Bolt Ø1/4"x 50MM</p>	<p>B4 x3</p>  <p>Screw Ø4*25MM</p>	
---	--	--	--


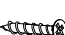
STEP 1

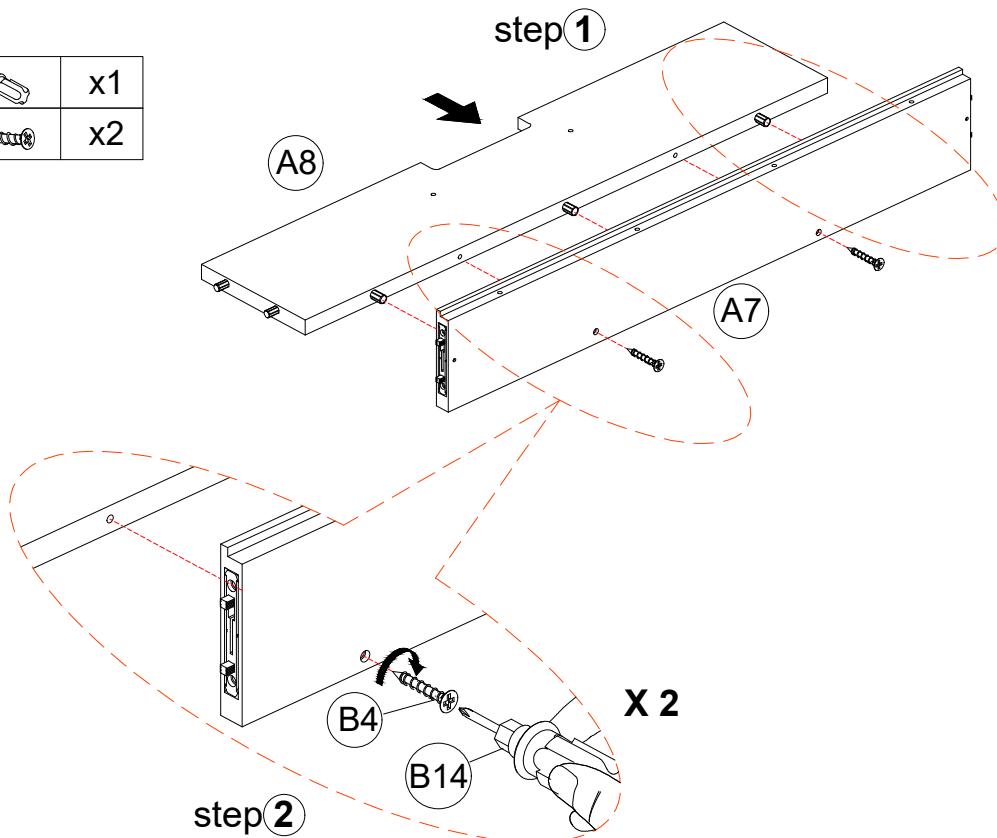
B13		x1
B3		x7



Attach (A6) to bottom panel(A2) with bolt(B3) ,attach leg(A20) to bottom panel (A2) with bolt (B3) , tight it with Allen wrench(B13).

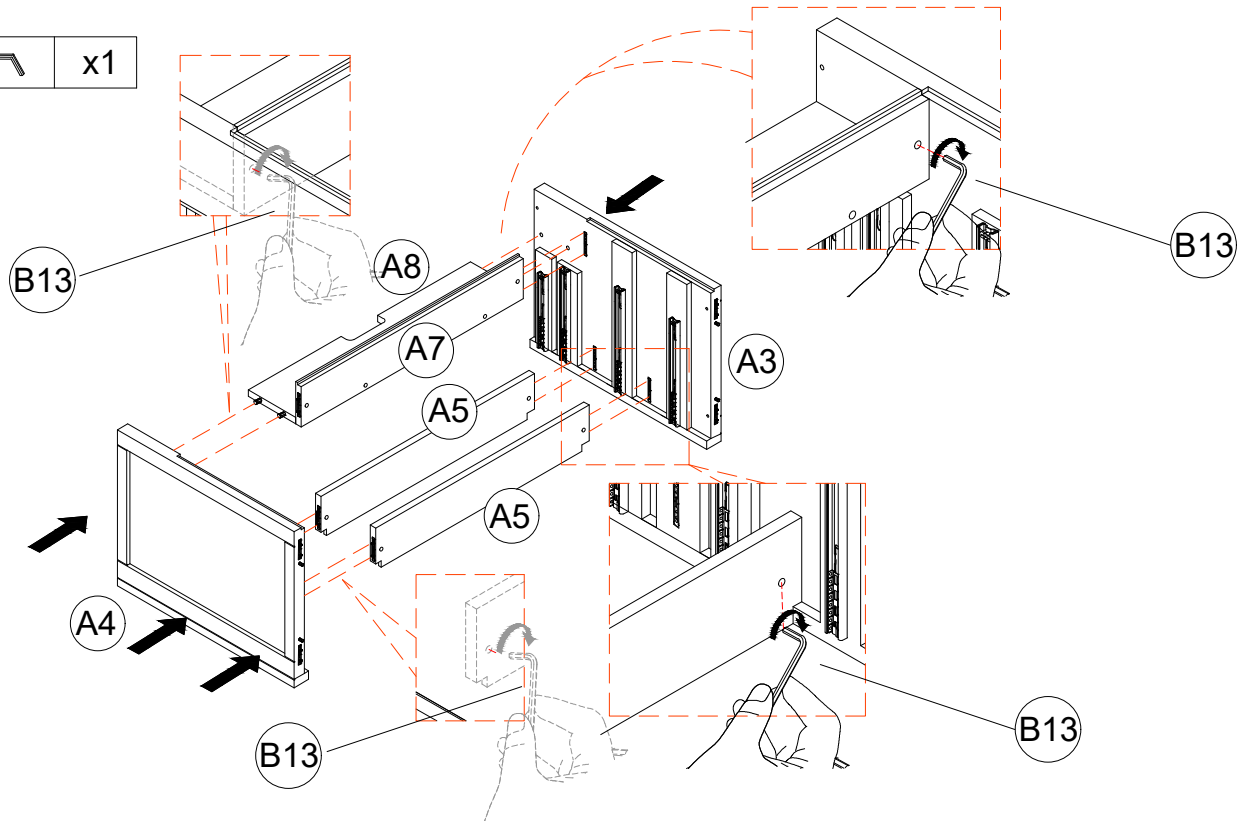
STEP 2

B14		x1
B4		x2



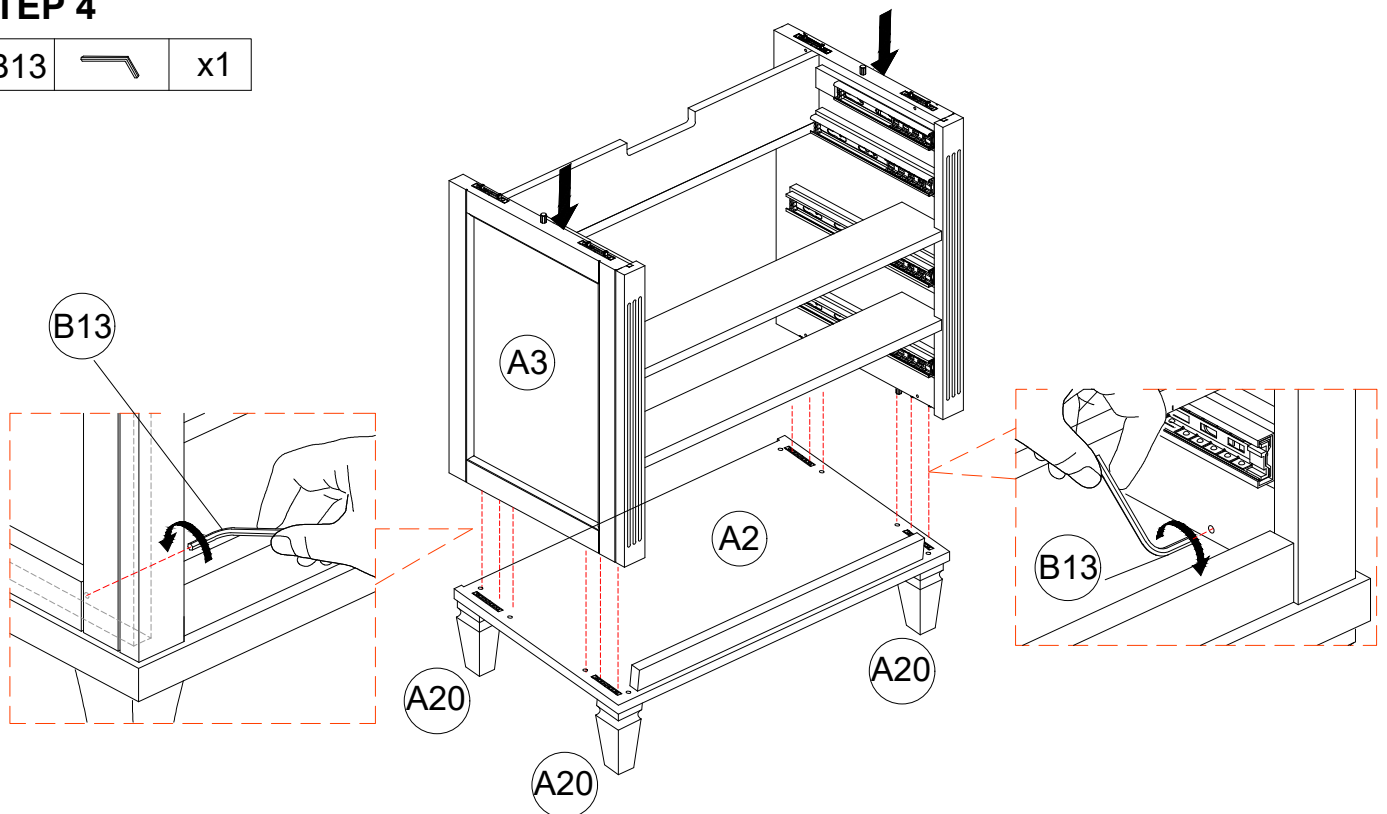
Attach part(A8) to part (A7) with screw(B4), tight it with screwdriver(B14).

STEP 3





Insert part (A7/A8/A5) into the corresponding hole of part(A3/A4).
make sure all holes aligned and use allen key (B13) to tighten it as picture show.

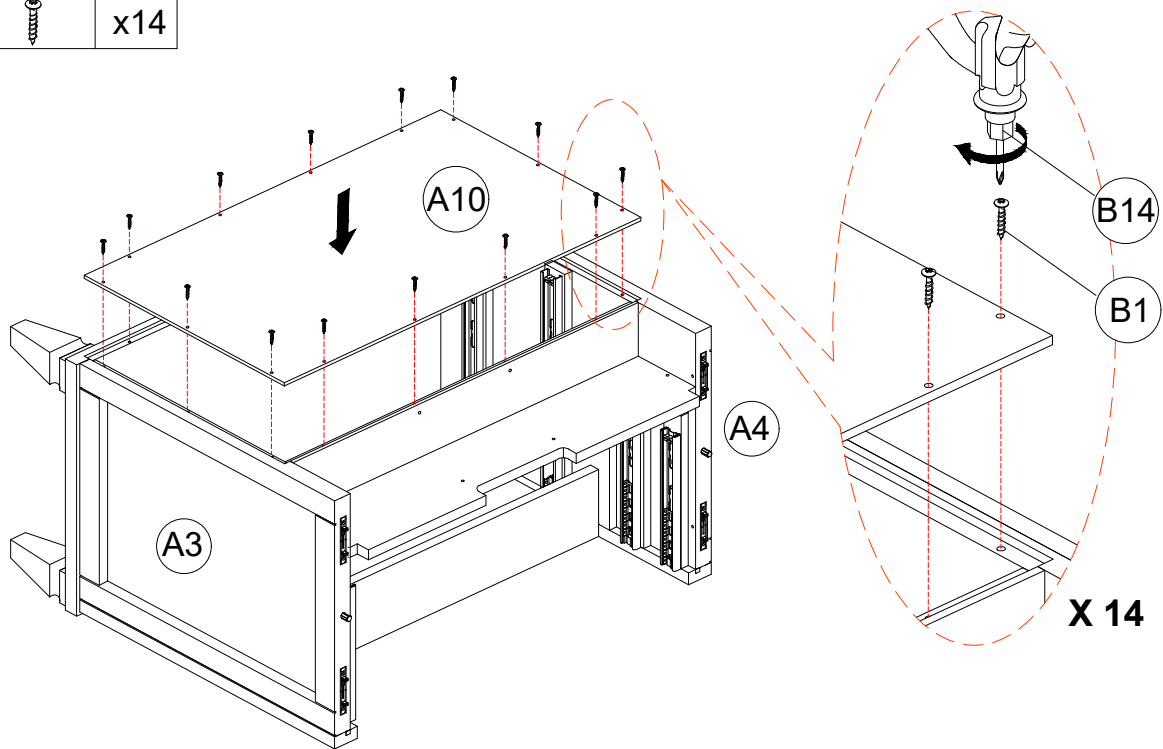
STEP 4



Insert the unit pre-assembled at step 3 into the corresponding hole of part(A2).
make sure all holes aligned and use allen key (B13) to tighten it as picture show.


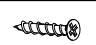
STEP 5

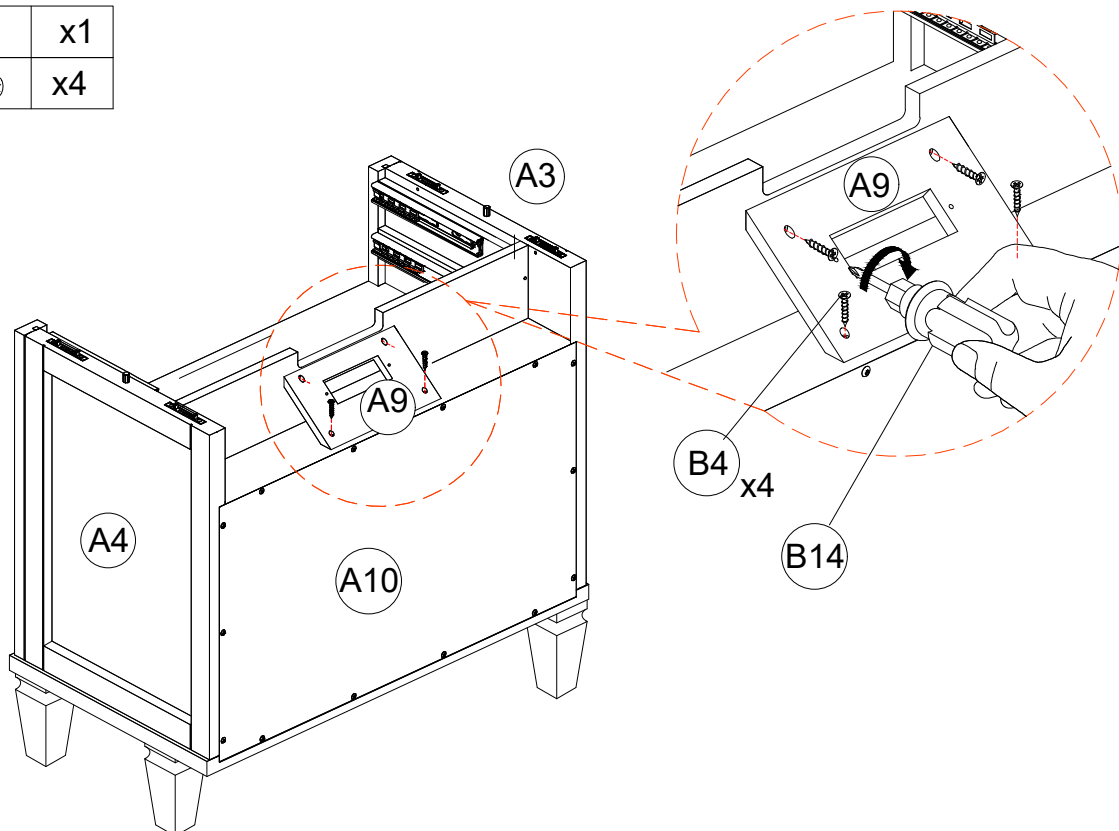
B14		x1
B1		x14



Attach back panel (A10) to the unit pre-assembled on step4 with screw (B1), tight it with screwdriver(14).




STEP 6

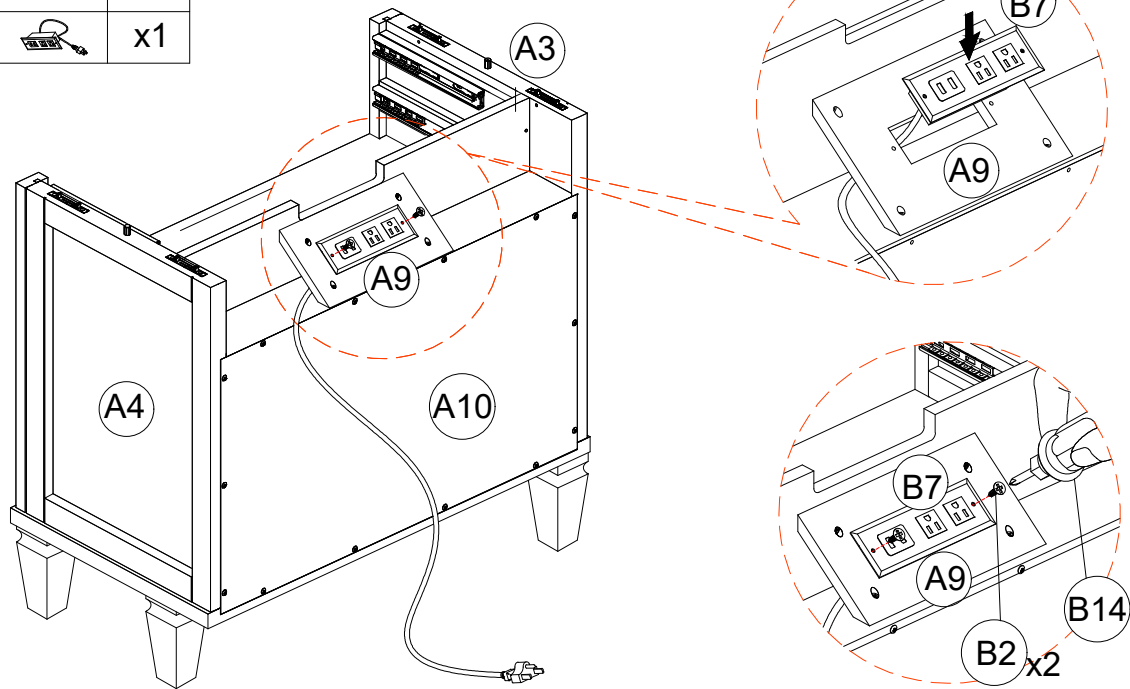
B14		x1
B4		x4



Attach part (A9) to the unit pre-assembled at step 5 with screw (B4), tight screw with screwdriver(B14).

STEP 7

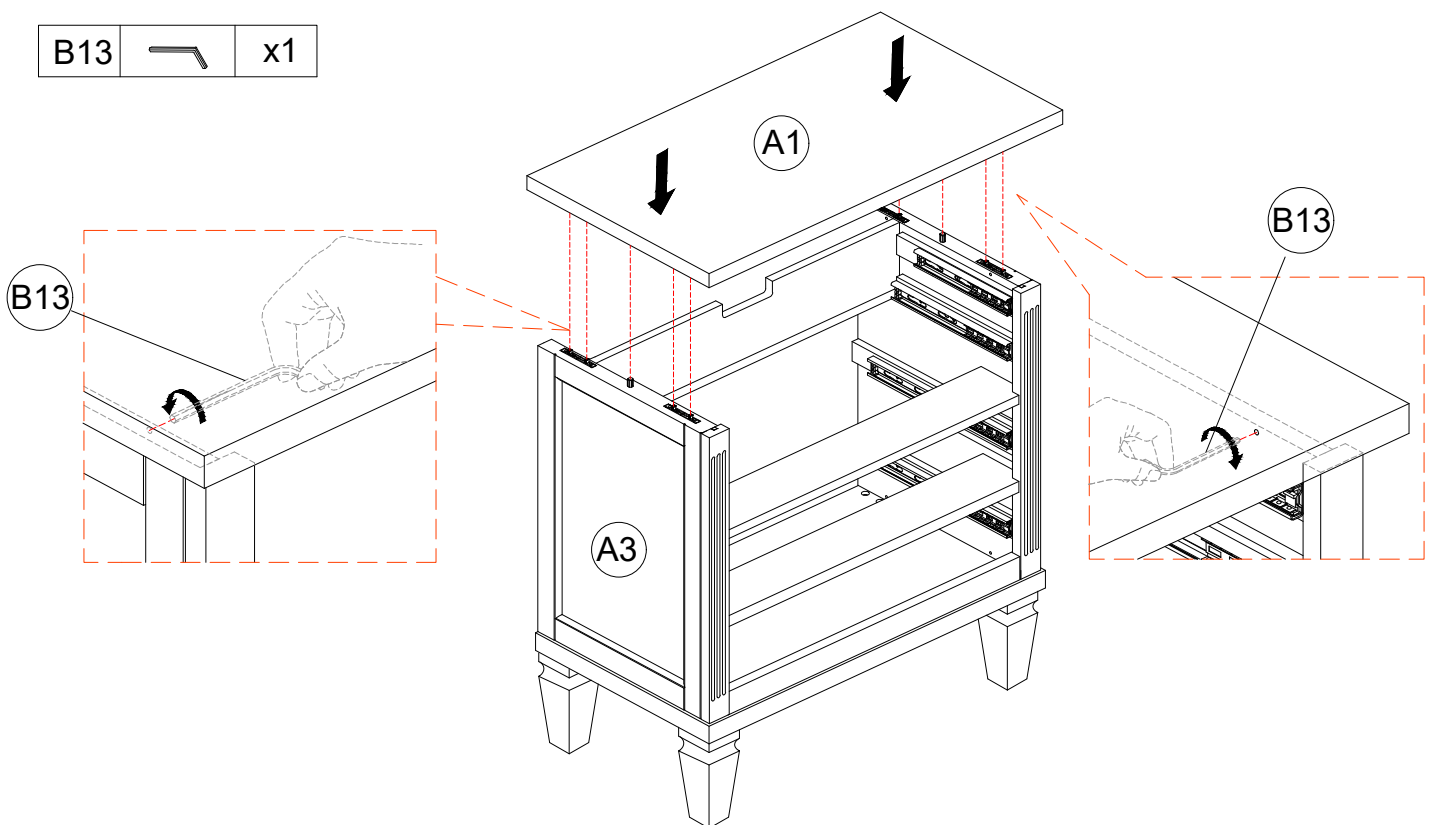
B14		x1
B2		x2
B7		x1



Attach part (B7) to part (A9) with screw(B2) , tight screw with screwdriver(B14).


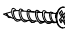
STEP 8


B13		x1
-----	---	----

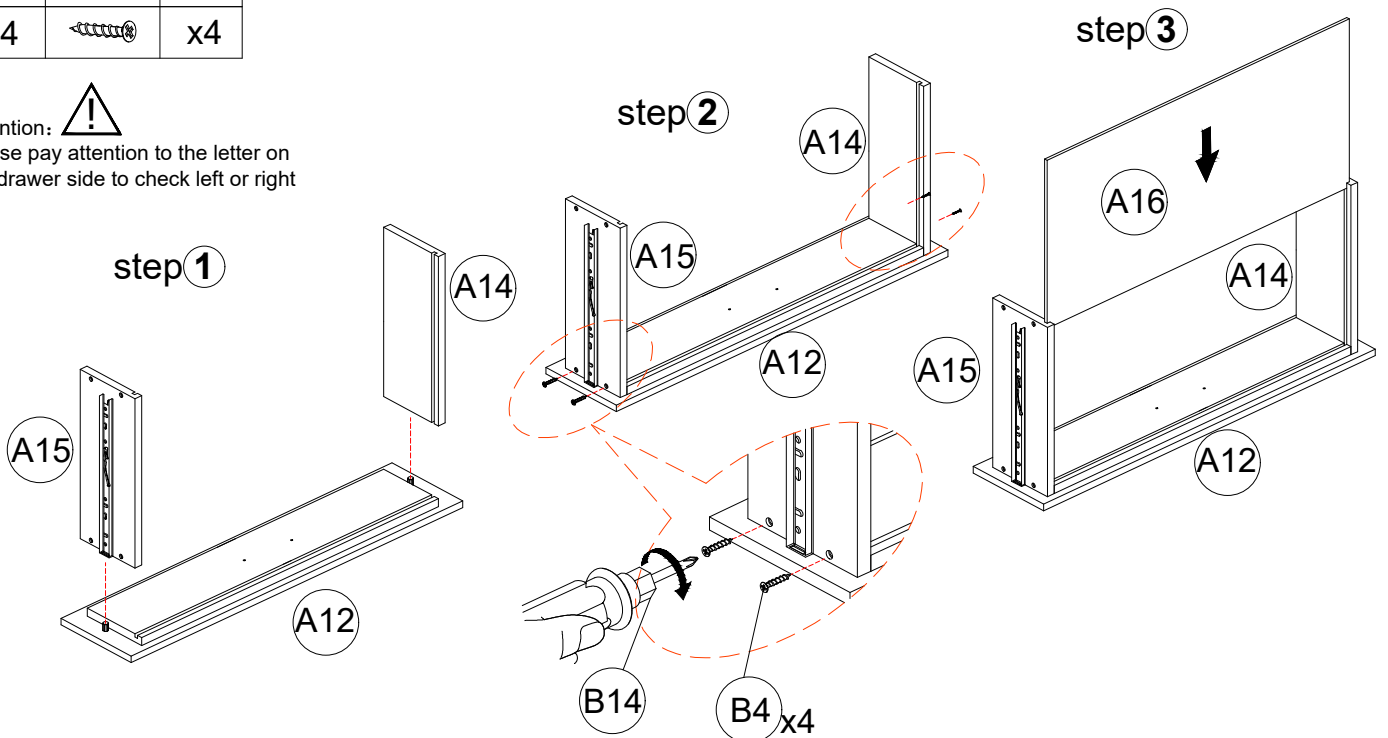


Insert part(A1) to the unit pre-assembled at step (B12).
make sure all holes aligned and use allen key (B13) to tighten it as picture show.

STEP 9


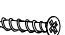


B14		x1
B4		x4

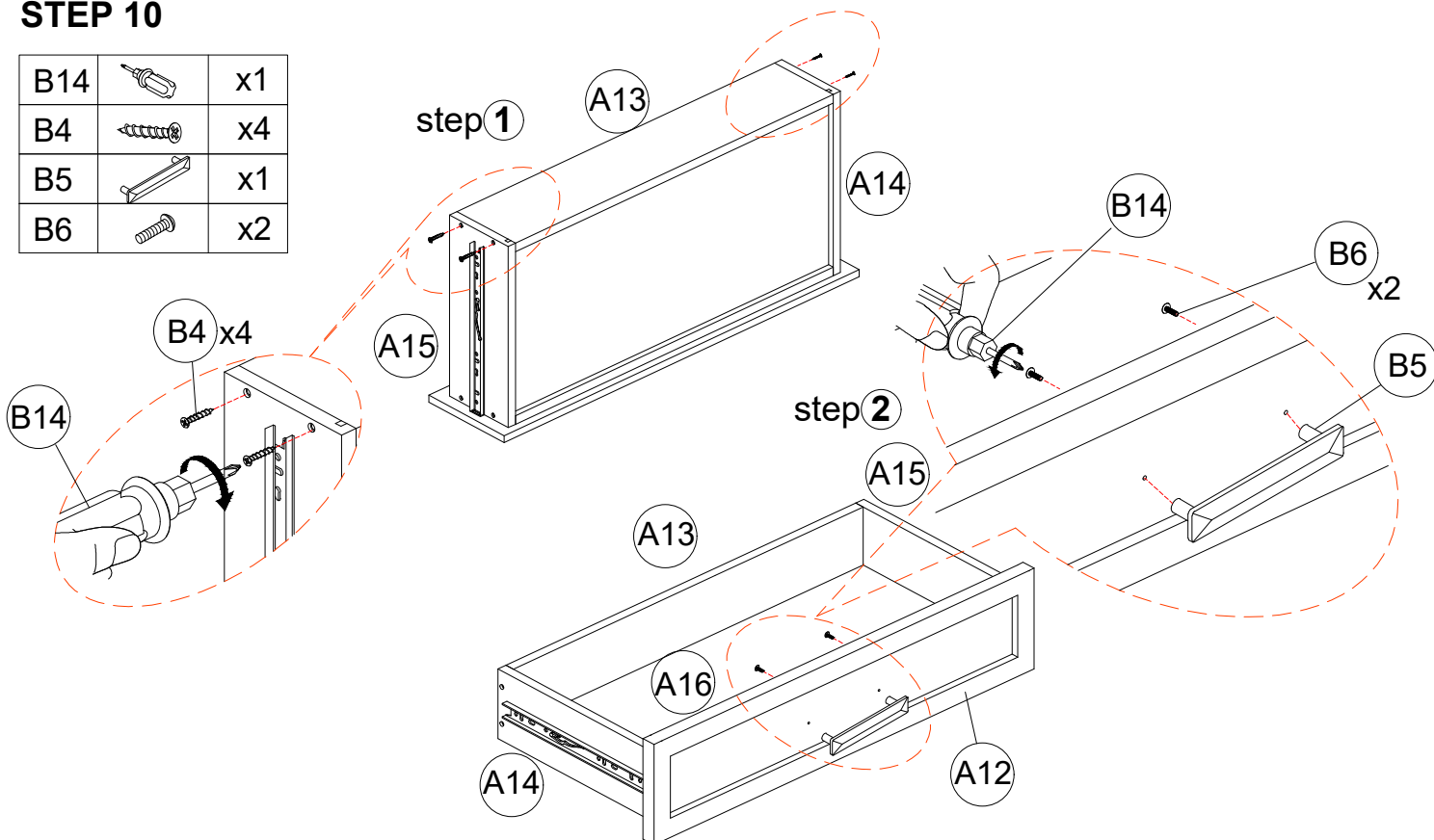
Attention: 
 please pay attention to the letter on
 the drawer side to check left or right



Attach part(A14/A15) to part (A12) with screw (B4), tight screw with screwdriver(B14),
 slide part(A16) to part (A15/A16), make sure it also in the groove of part (A12).


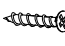
STEP 10


B14		x1
B4		x4
B5		x1
B6		x2

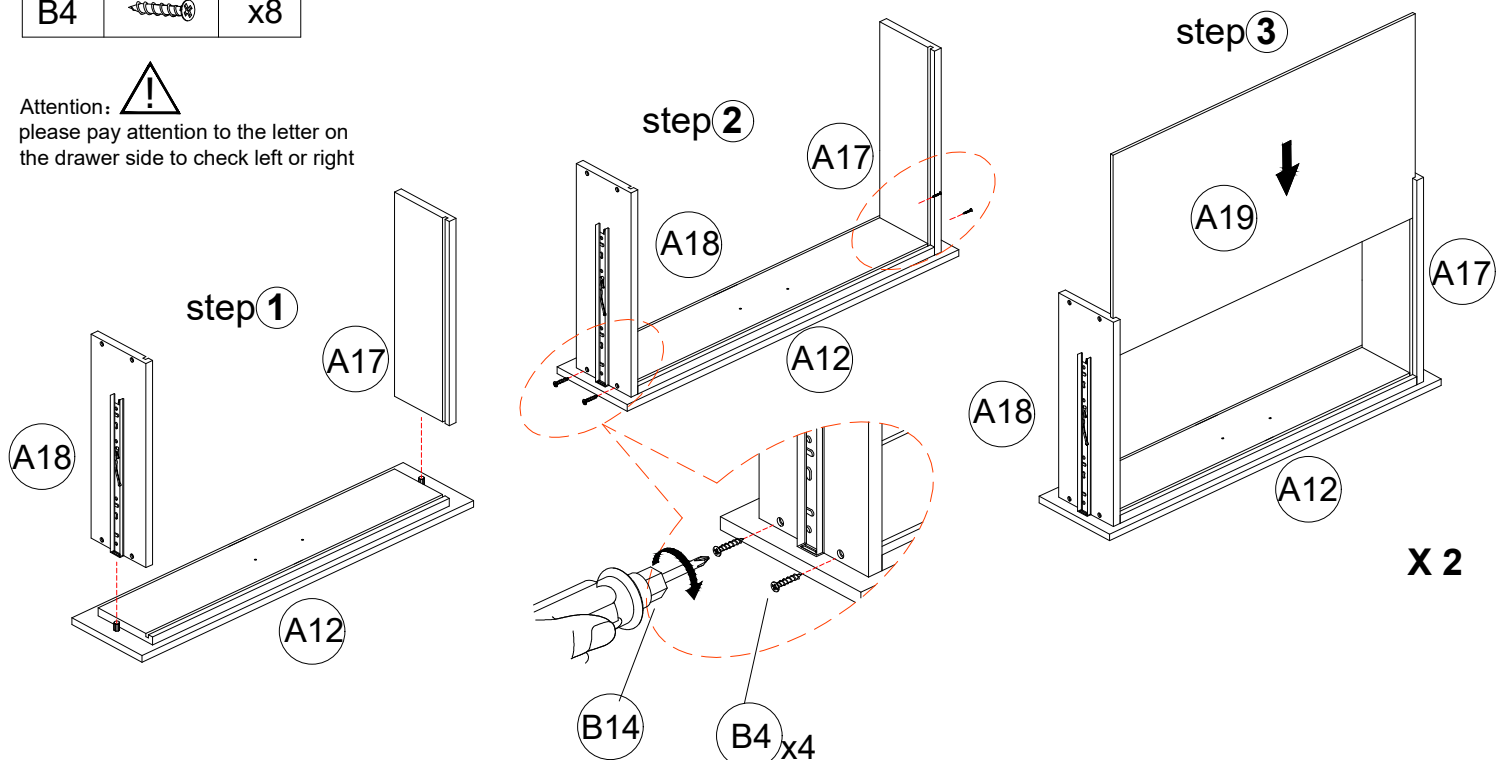


Attach part(A14/A15) to part (A13) with screw (B4),tight screw with screwdriver(B14),
 attach part(B5) to part(A12) with bolt (B6), tight bolt with screwdriver(B14).

STEP 11


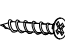
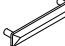

B14		x1
B4		x8

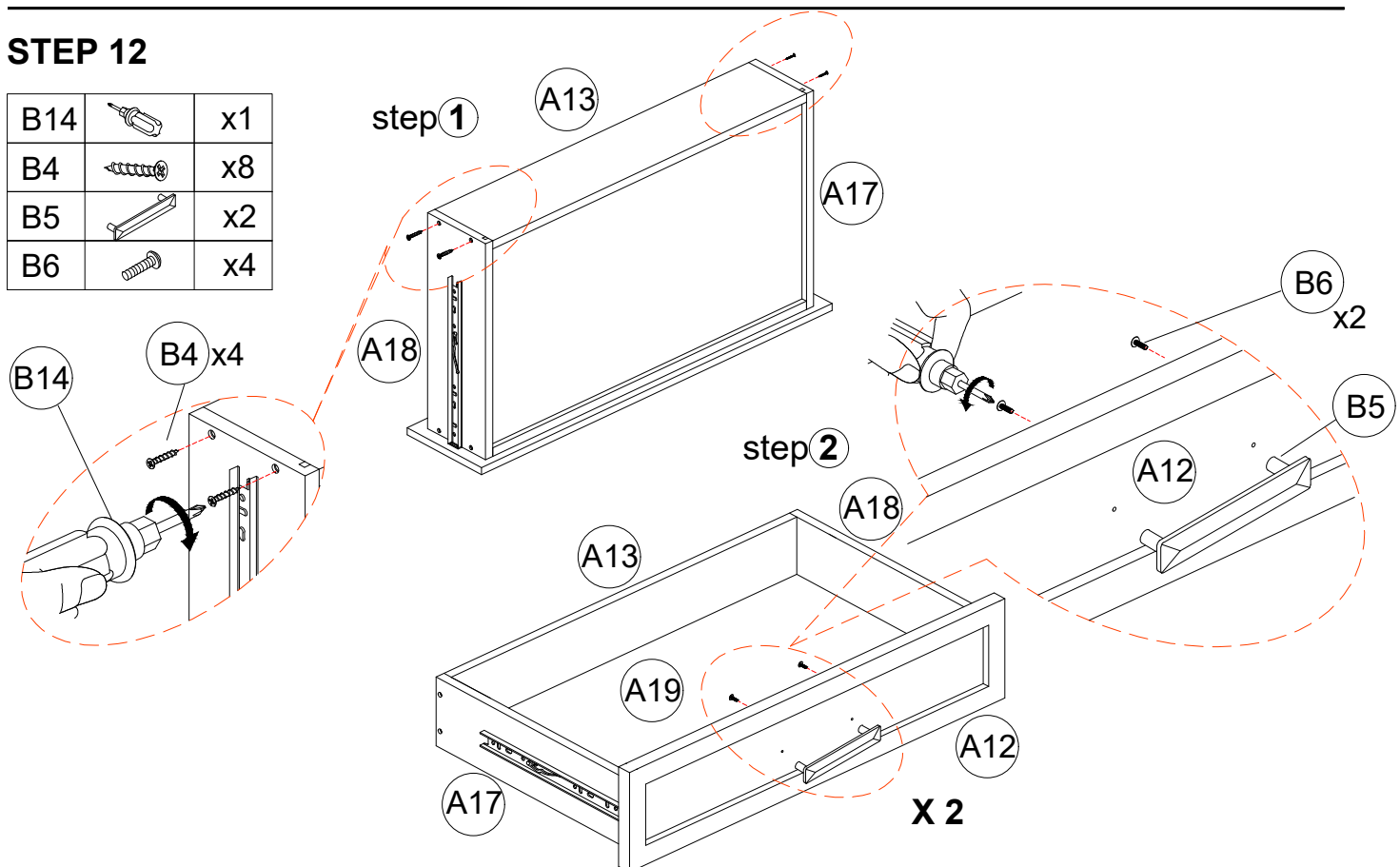
Attention: 
 please pay attention to the letter on
 the drawer side to check left or right



Attach part(A17/A18) to part (A12) with screw (B4), tight screw with screwdriver(B14),
 slide part(A19) to part (A17/A18), make sure it also in the groove of part (A12).


STEP 12

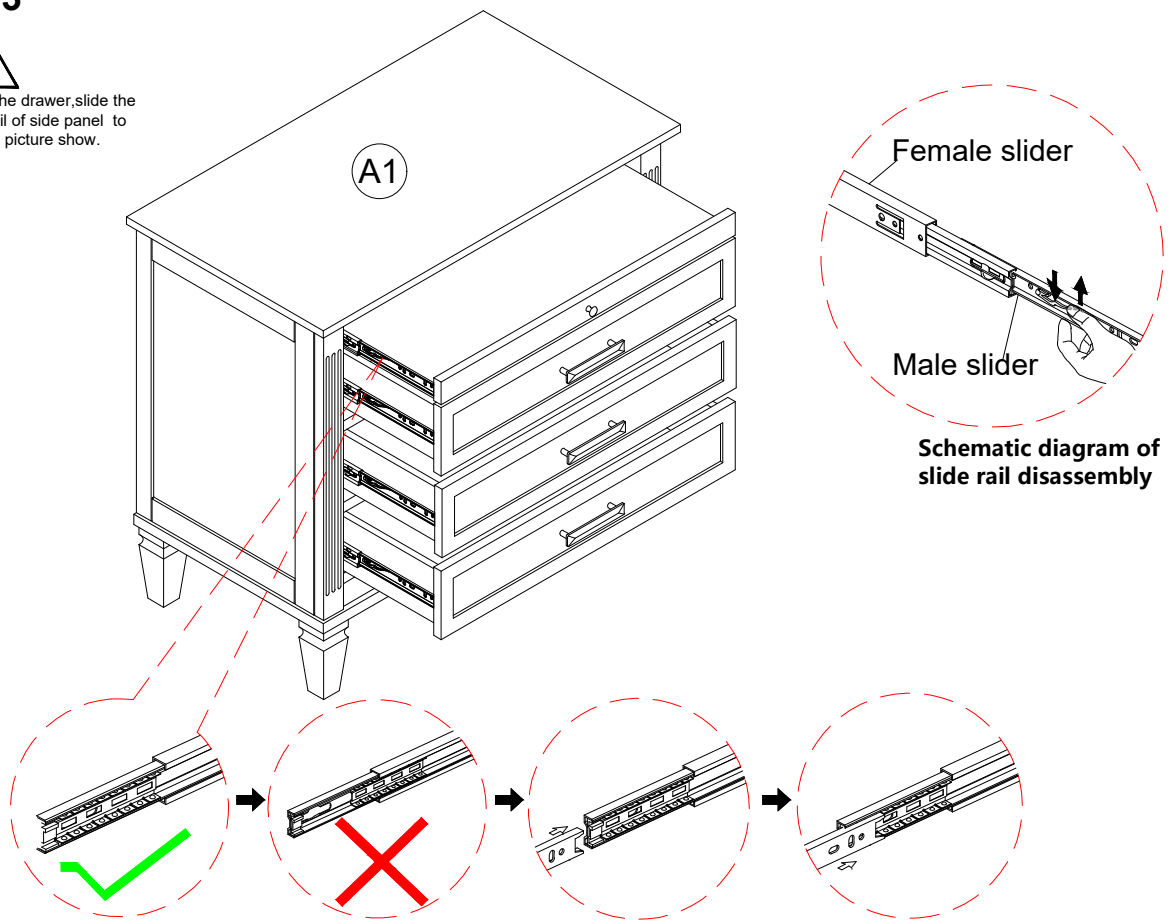
B14		x1
B4		x8
B5		x2
B6		x4




Attach part(A17/A18) to part (A13) with screw (B4),tight screw with screwdriver(B14),
 attach part(B5) to part(A12) with bolt (B6), tight bolt with screwdriver(B14).

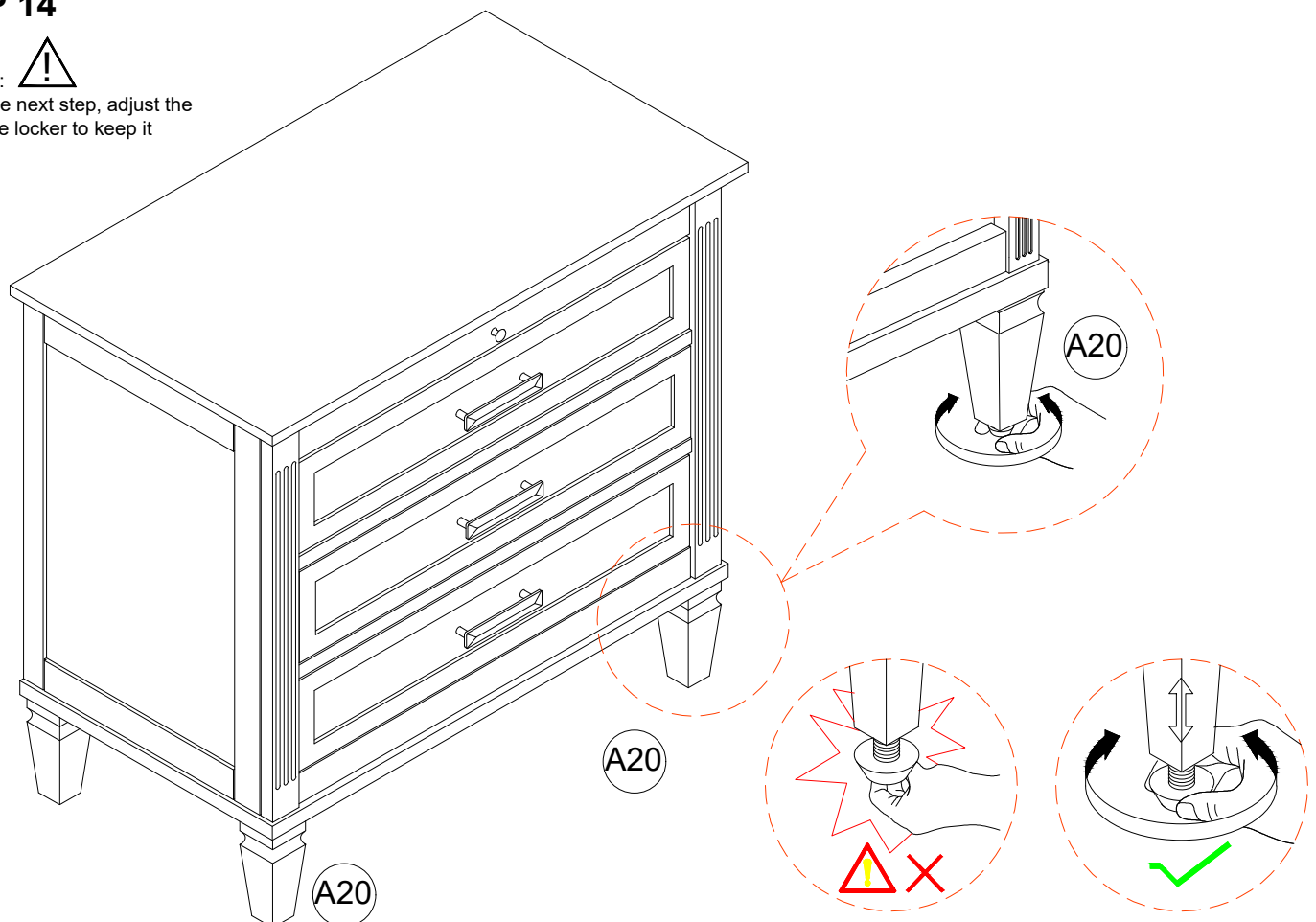
STEP 13

Attention: 
When installing the drawer, slide the steel ball slide rail of side panel to the most front as picture show.

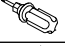




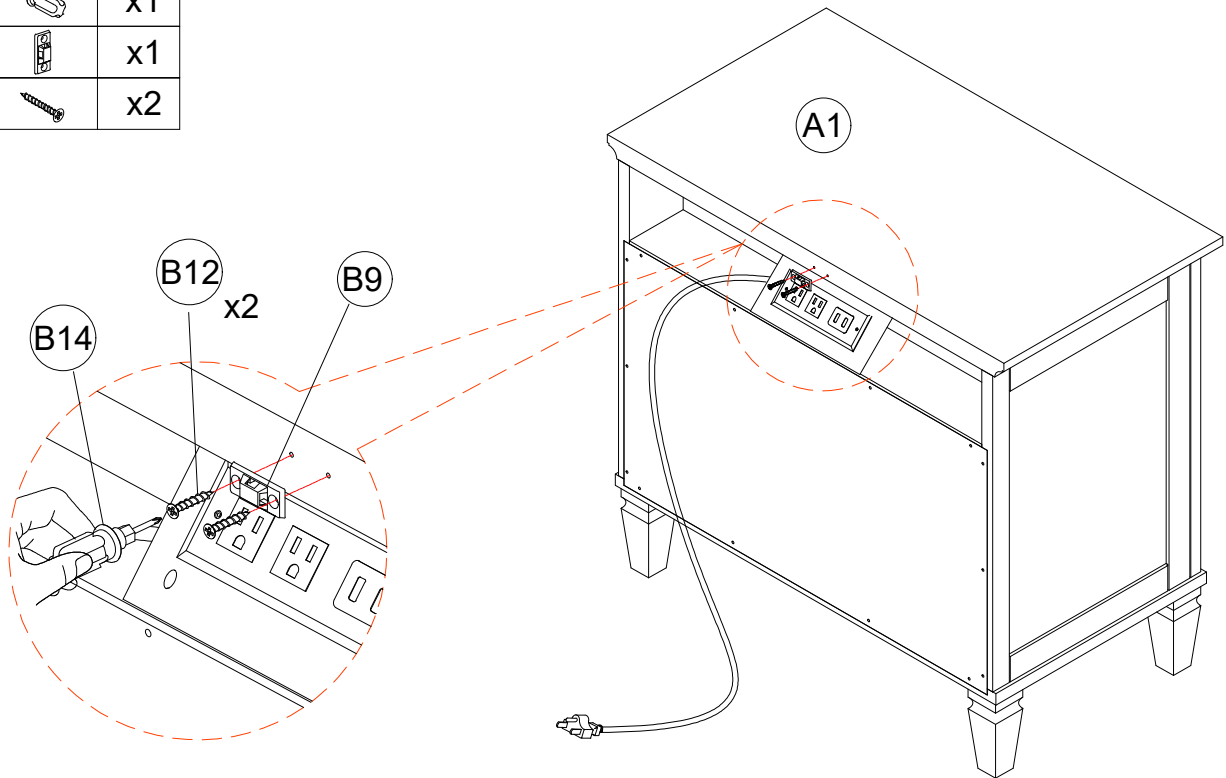
STEP 14

Attention: 
Before the next step, adjust the feet of the locker to keep it level.




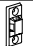

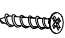
STEP 15

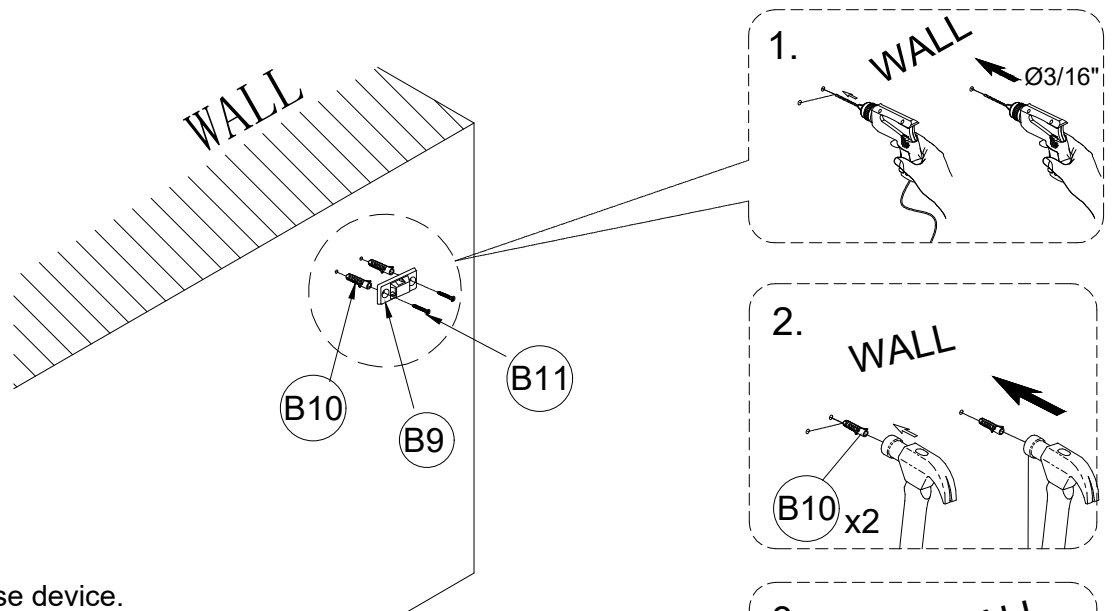
B14		x1
B9		x1
B12		x2



Attach part(B9) to part(A1) with screw(B12), tight screw with screwdriver(B14).

STEP 16

B14		x1
B9		x1
B10		x2
B11		x2



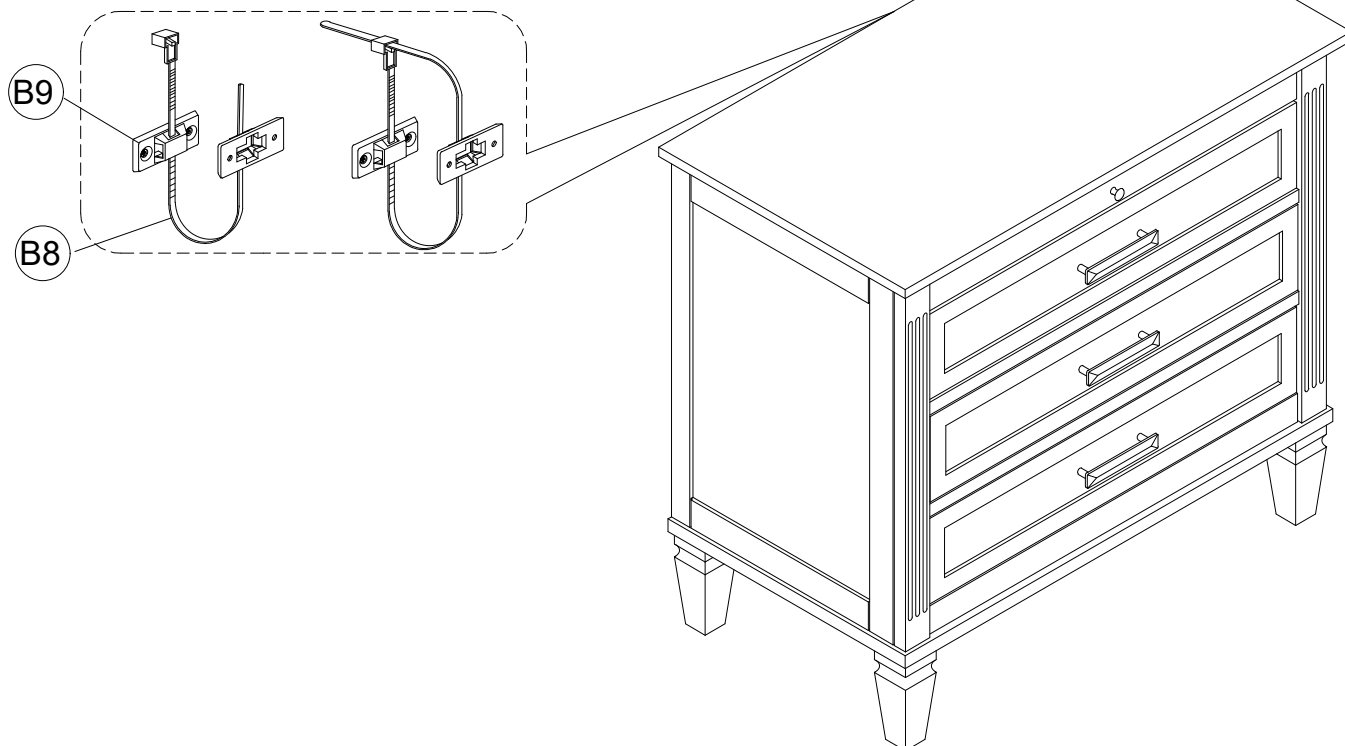
1. Install the anti-collapse device.

2. Mark the position on the wall, that corresponds to the location of part (B9) on the panel (A1); Drill and insert the expandable screw(B10) by hammer.

3. Assemble the part(B9) to the wall. Align the hole in the part (B9) with the expandable screw (B10) , use screw (11) to attach it and tighten by screwdriver (B14) .

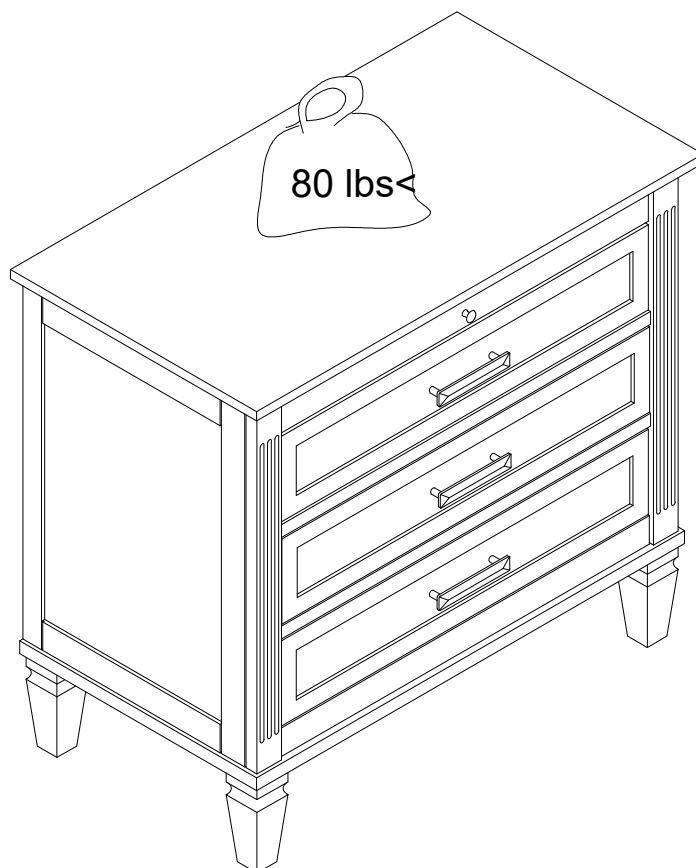
STEP 17

B8		x1
----	---	----



Let the plastic belt(B8) pass through the both bracket (B9) and pull tightly.

STEP 18



MAINTENANCE AND WARNING



- Keep furniture away from heat.
- Do not clean furniture with harsh cleansers or polish. Do not use detergents, Solvents, abrasives, spray packs or leather cleaner. Use non-color mild soap with warm water clean spills(Mix 1:10 soap to water)
- Do not place furniture under direct sunlight, material will possibly fade over time.
- Do not use on site dry Cleaning machine.
- Children should not climb or jump on the furniture.
- Do not write on furniture without a padded barrier to protect the surface.
- Not for commercial use, For residential use only.
- The maximum load is 150 LBS.

WARRANTY

We strive to offer high , quality products, and we also try our best to satisfy each and every customer that orders from us with product or service as needed. We provide 30 days warranty starting from the time you receive the item. Each customer must provide a record of their order such as the order number, or item receipt for any items that are out of the warranty period you may also still receive replacement parts by purchasing them with our company if they are available.

For return, please check the return policy with the retailer or market place you bought from. Appreciate your purchasing from us. Pop up your life by our furniture piece!