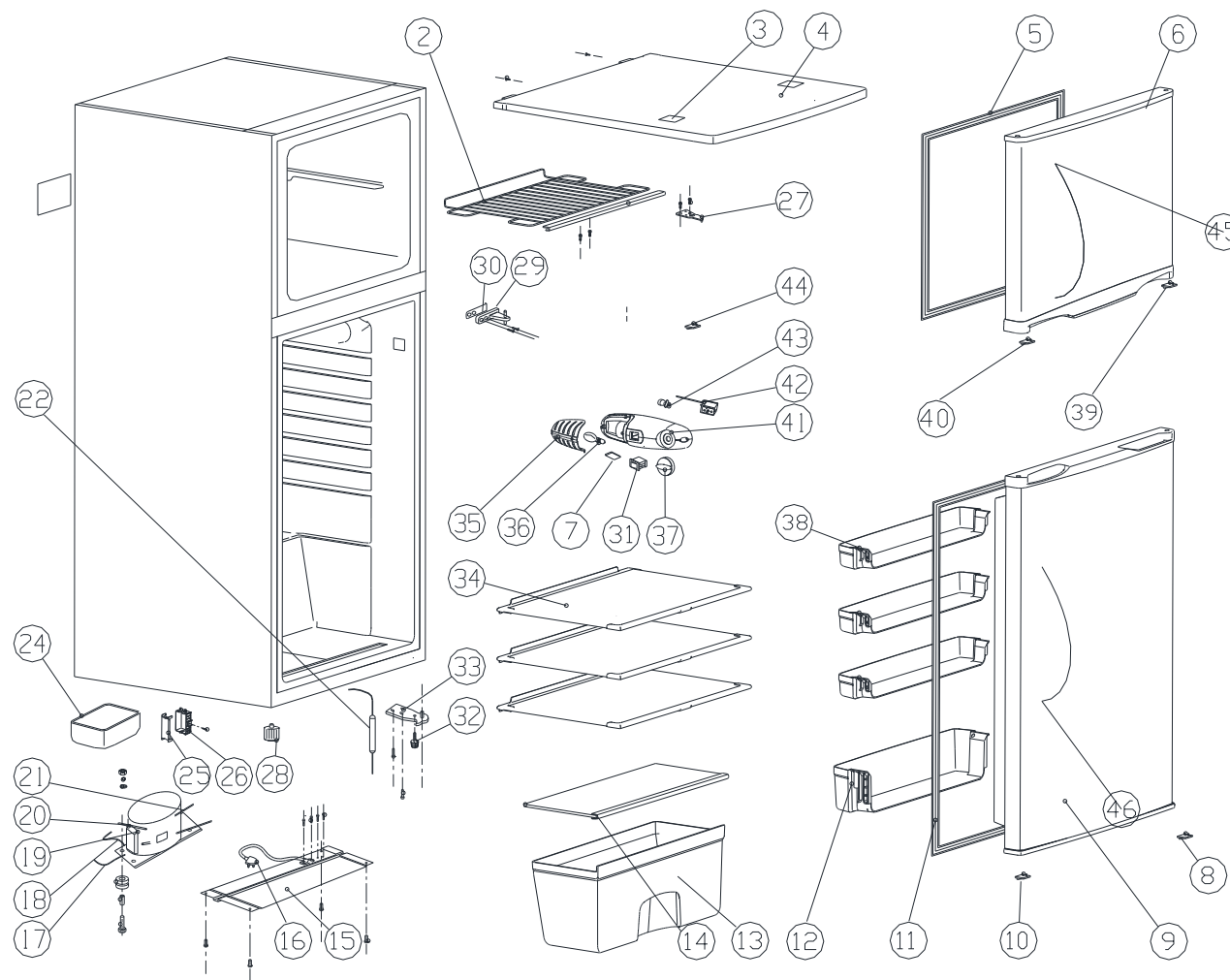


**PRF735HW**  
**Spare Parts List**



| No. | Description of Spare Part             |
|-----|---------------------------------------|
| 1   | Cabinet                               |
| 2   | Shelves of freezer chamber            |
| 3   | Screw cover for top cover             |
| 4   | Top cover                             |
| 5   | Upper door gasket                     |
| 6   | Upper door                            |
| 8   | Lower door right aid-closer           |
| 9   | Lower door                            |
| 10  | Lower door left aid-closer            |
| 11  | Lower door gasket                     |
| 12  | Lower door lower balcony (green gray) |
| 13  | Crisper drawer (green gray)           |
| 14  | Cover of crisper drawer               |
| 15  | Compressor support base               |
| 16  | Supply cord plug                      |
| 17  | Connecting wire of compressor         |
| 18  | Earthing wire of compressor           |
| 19  | Compressor(UKT60YAX)                  |
| 20  | Process tube                          |
| 21  | Connecting tube (short)               |
| 22  | Drier filter (for R600a)              |
| 24  | Drain pan                             |
| 25  | Base of wire box                      |
| 26  | Wire box                              |
| 27  | Upper door hinge assembly             |
| 28  | Long adjust leg                       |
| 29  | Middle hinge                          |
| 30  | Middle hinge cushion                  |
| 32  | Short adjust leg                      |
| 33  | Lower door hinge assembly             |
| 34  | Shelf of refrigerator chamber         |
| 35  | Lamp cover                            |
| 36  | Lamp Bulb (E14,110V)                  |
| 37  | Thermostat knob                       |
| 38  | Lower door upper balcony(green gray)  |
| 39  | Right limit block of door             |
| 40  | Left limit block of door              |
| 41  | Thermostat cover                      |
| 42  | Thermostat                            |
| 43  | Lamp holder (E14)                     |
| 44  | Door switch                           |
| 45  | Upper door External Handle            |
| 46  | Lower door External Handle            |