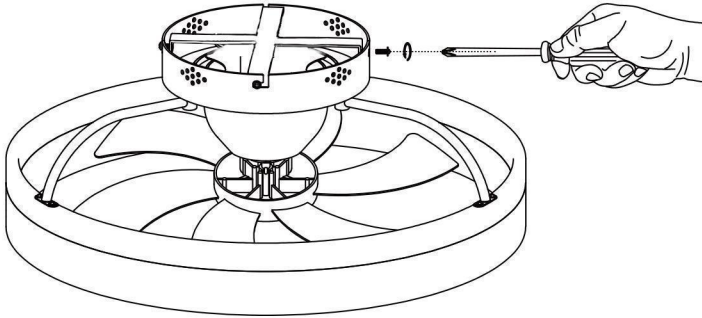


Installation Step 1 (Mount the Bracket)



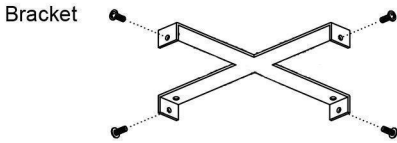
Loosen screws from the canopy (don't take off), take out the bracket from the canopy.

With Outlet Box: Fix the bracket onto the outlet box with screws from the outlet box, fix the cross bar of the bracket onto to the ceiling with 4 wood screws.

Without Outlet Box: Fix the cross bar onto the solid wood structure with 4 wood screws.

Option 1

Outlet Box



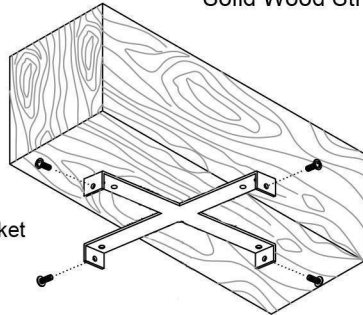
Machine Screw
(from outlet box)

Wood Screw
(optional)



Option 2

Solid Wood Structure



Bracket

Wood Screw



OR