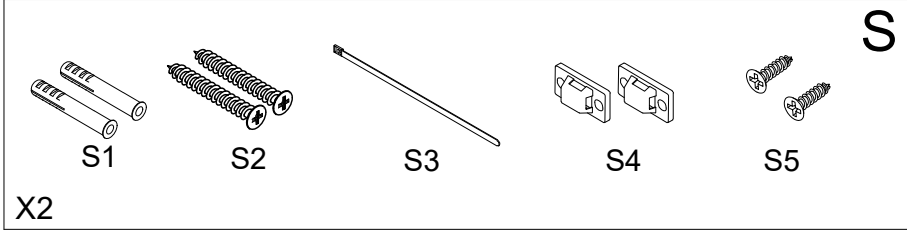
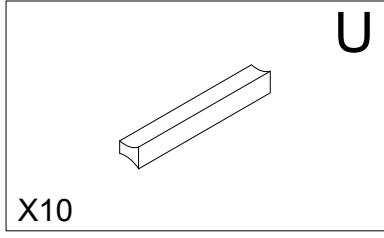
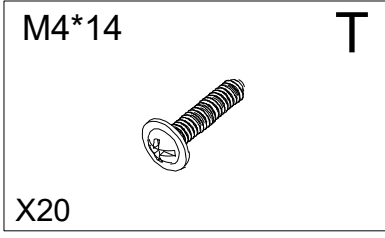
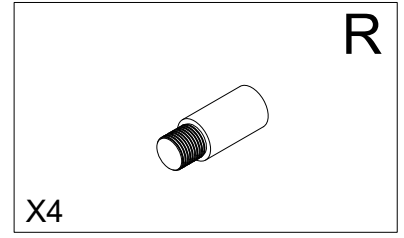
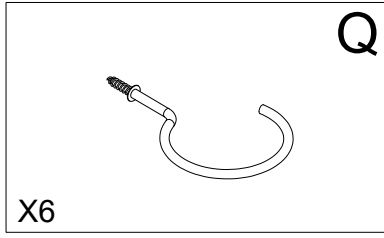
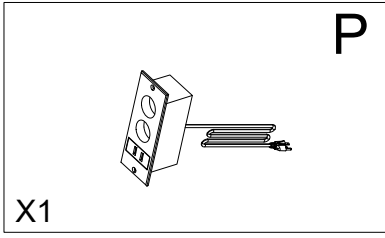
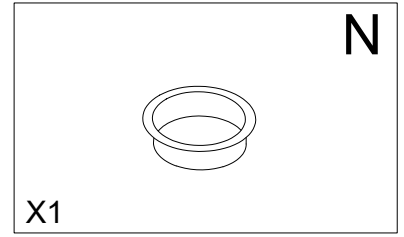
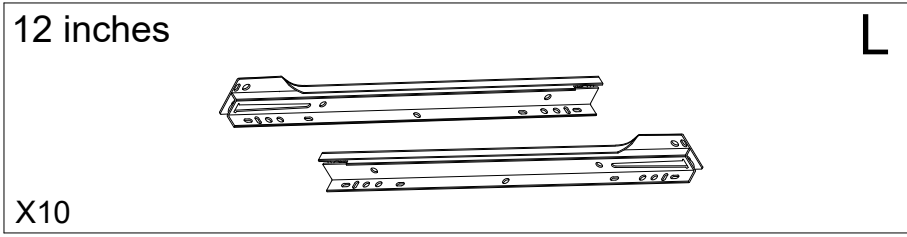
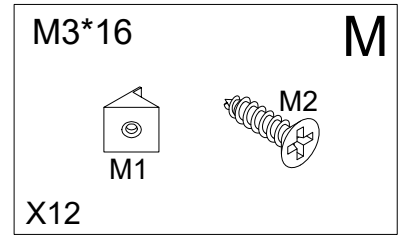
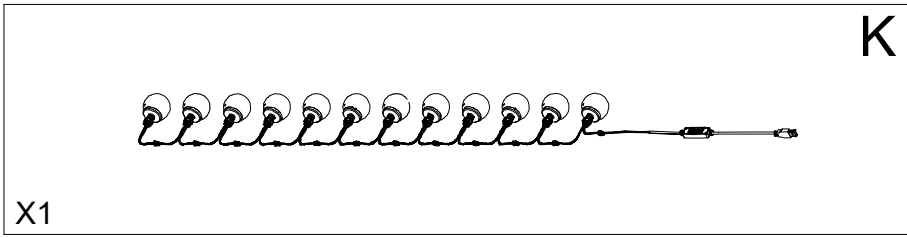
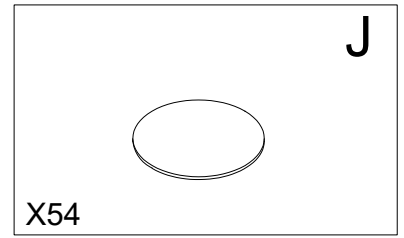
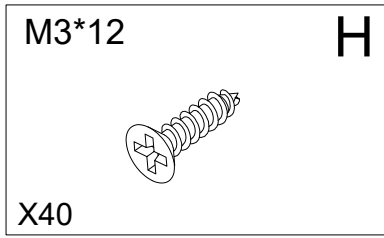
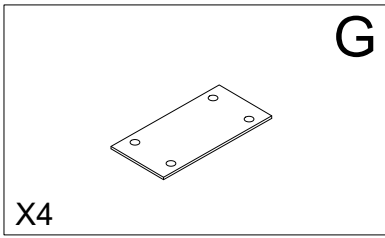
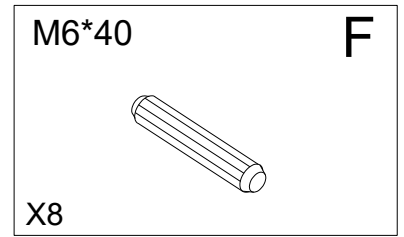
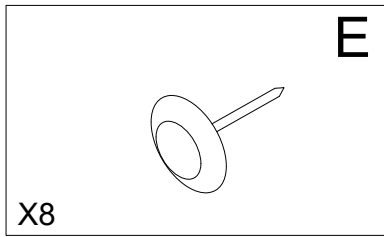
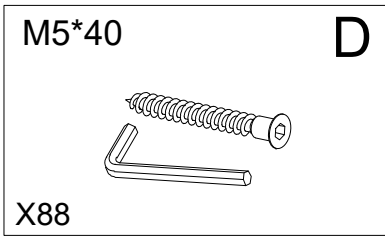
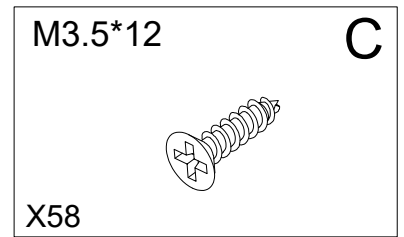
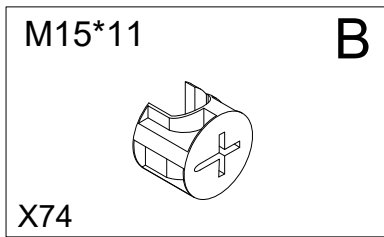
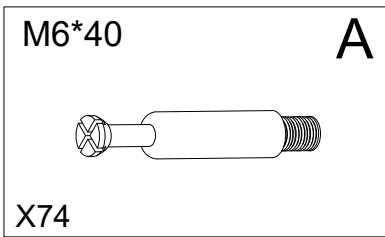
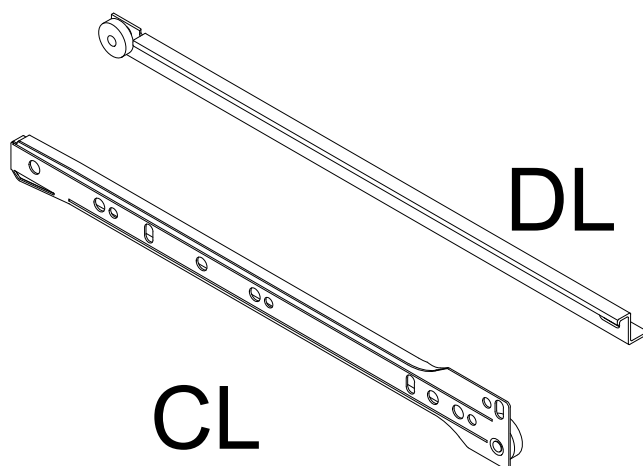
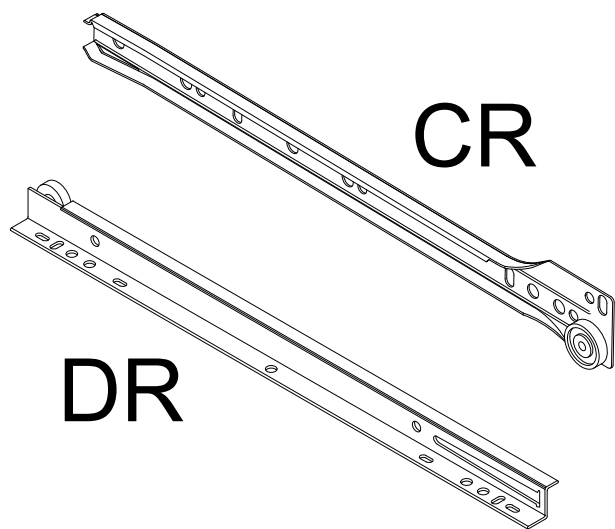
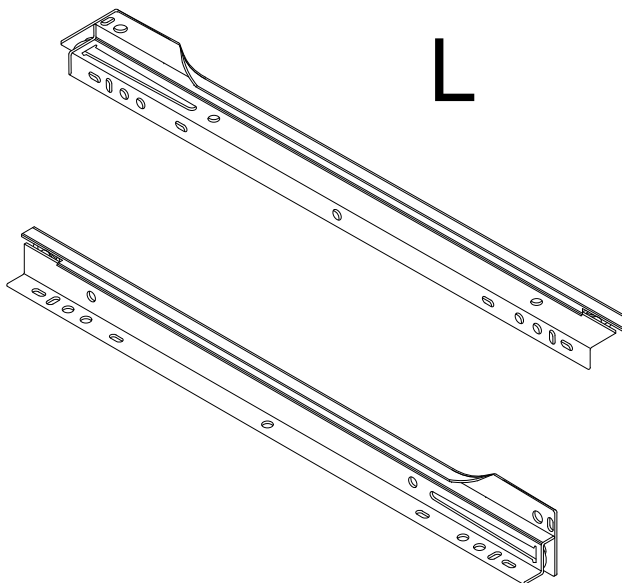
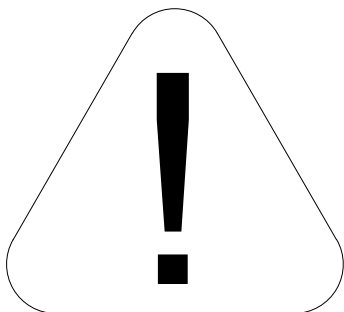


X8

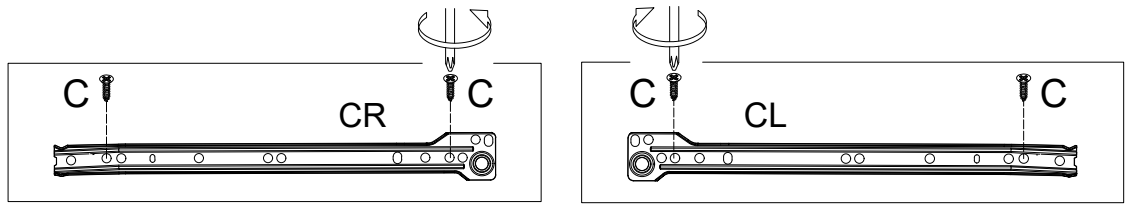
X2



$$L = CR + DR + CL + DL$$



1

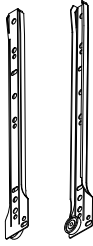


C

X16



L

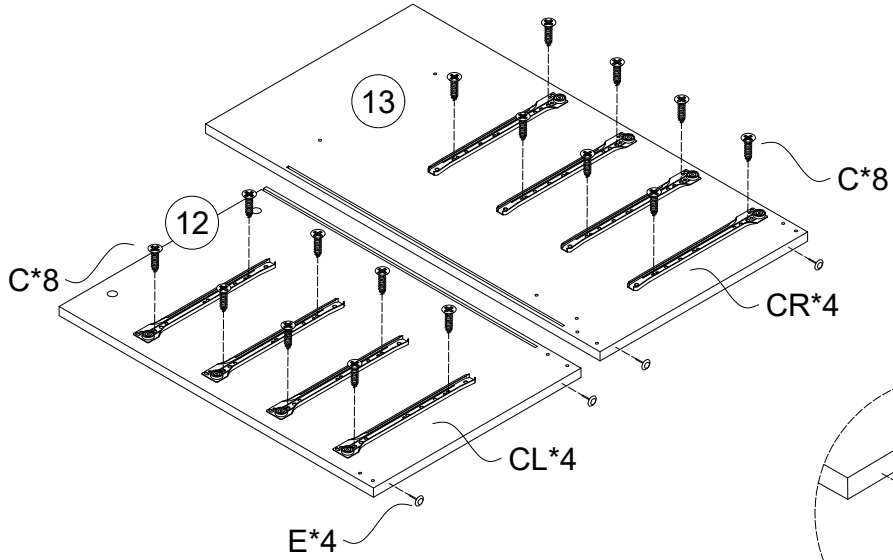


CL CR

X4

E

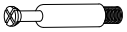
X4



2

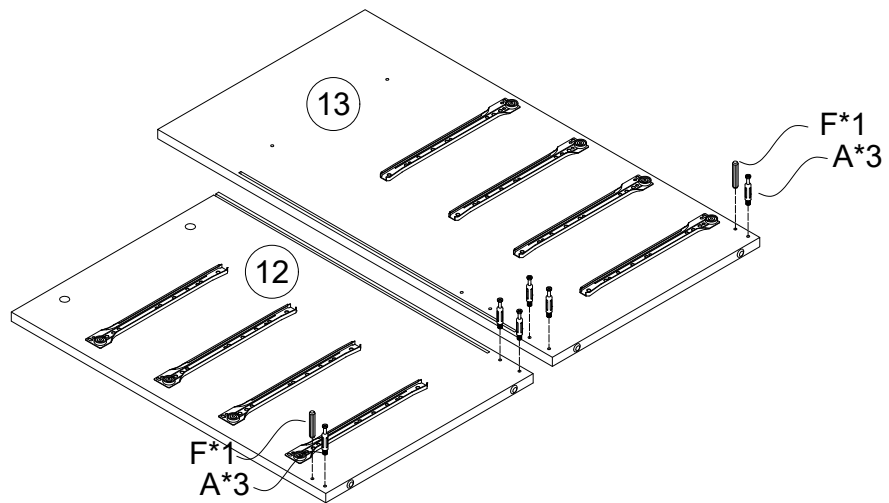
A

X6



F

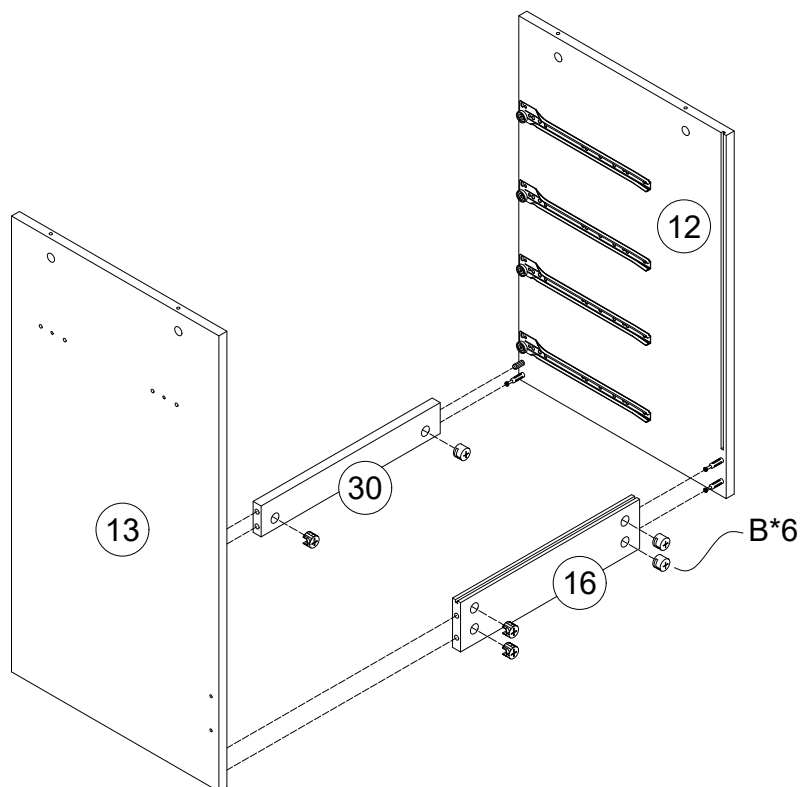
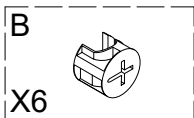
X2



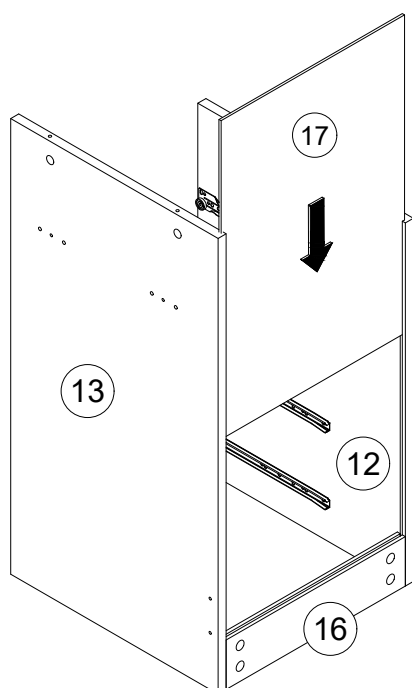
F*1
A*3

F*1
A*3

3

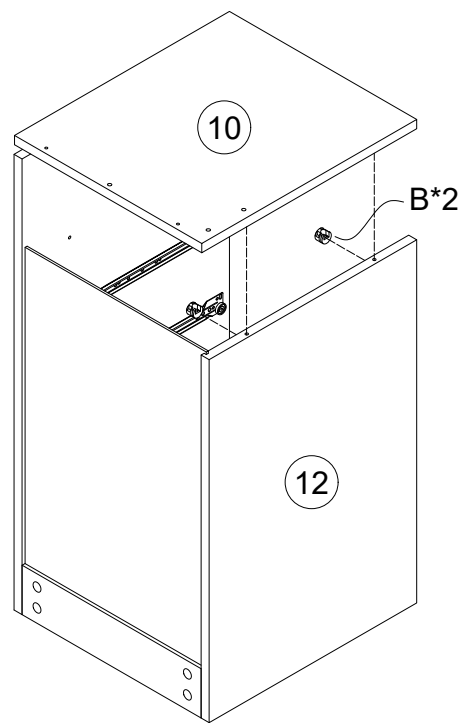
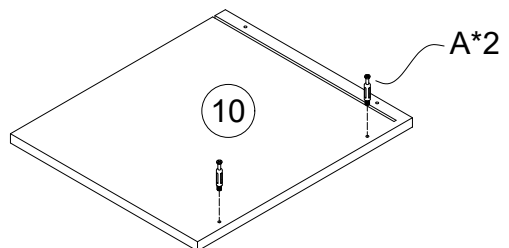


4



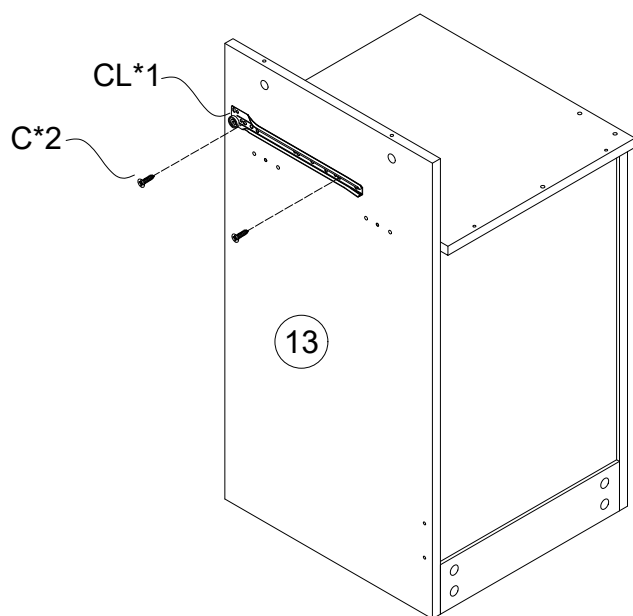
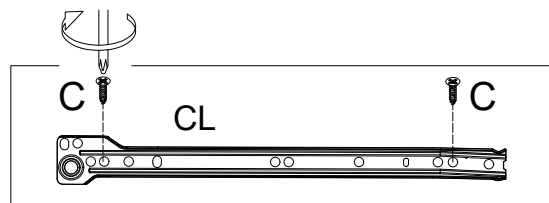
5

- A
X2
- B
X2

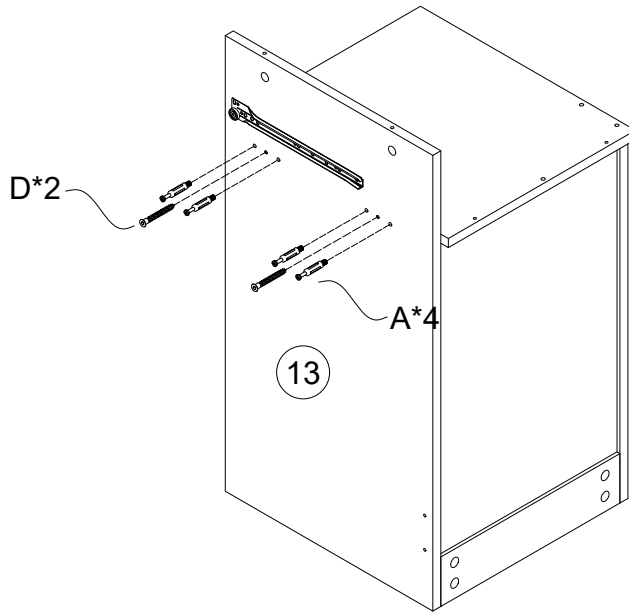
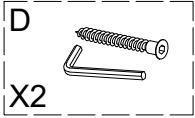
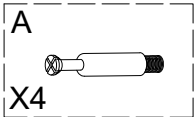


6

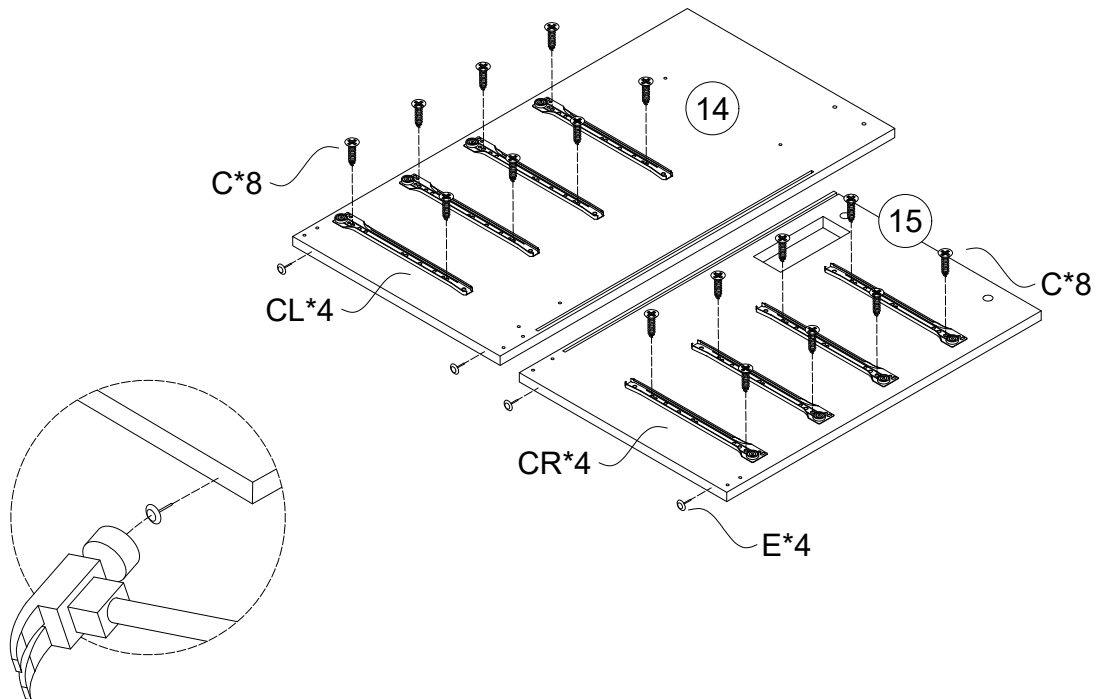
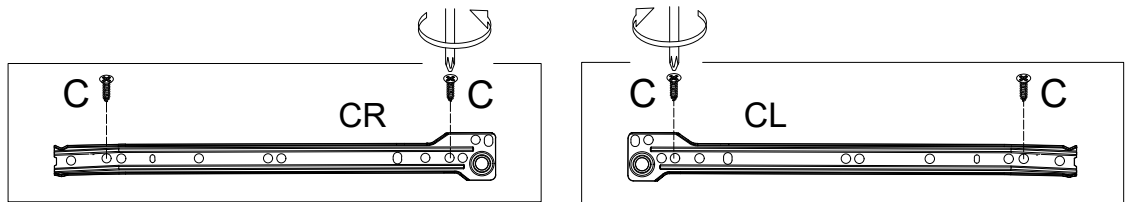
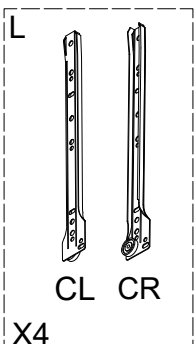
- C
X2
- L
CL
X1



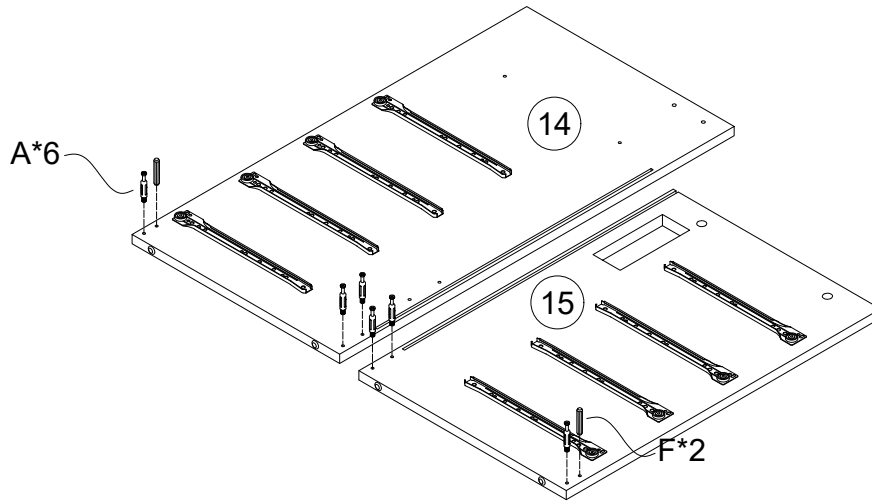
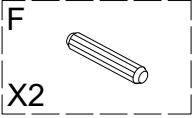
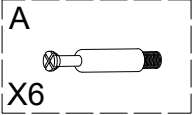
7



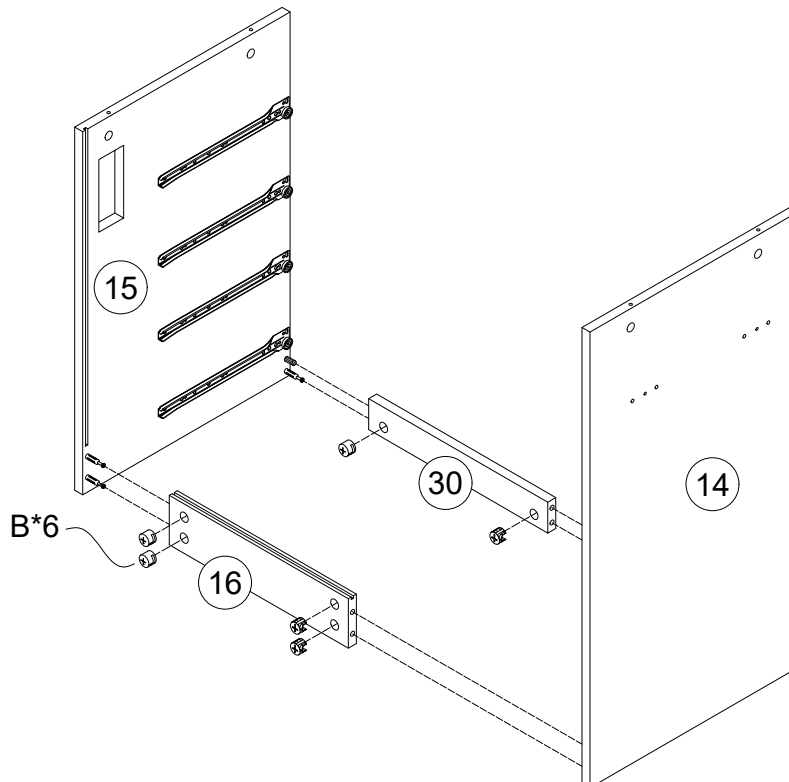
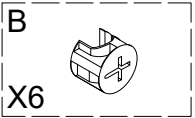
8



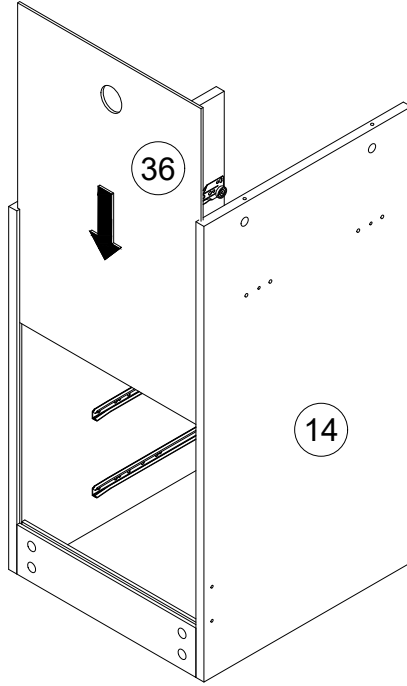
9



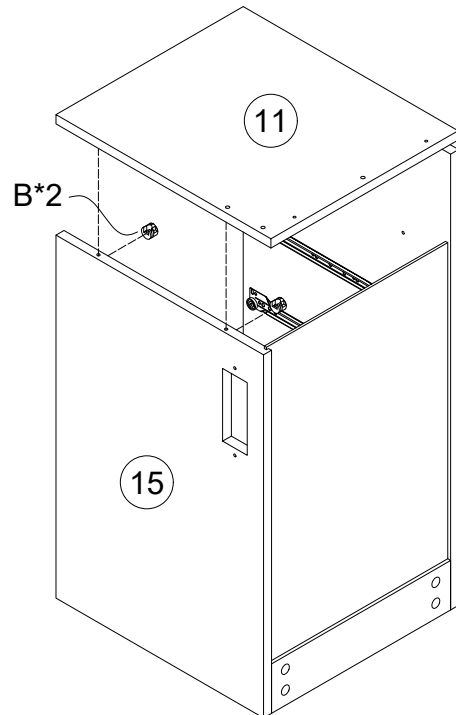
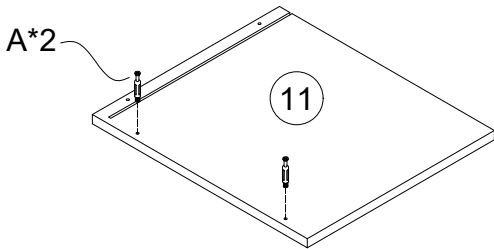
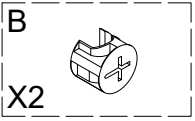
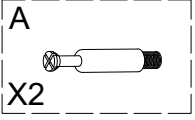
10



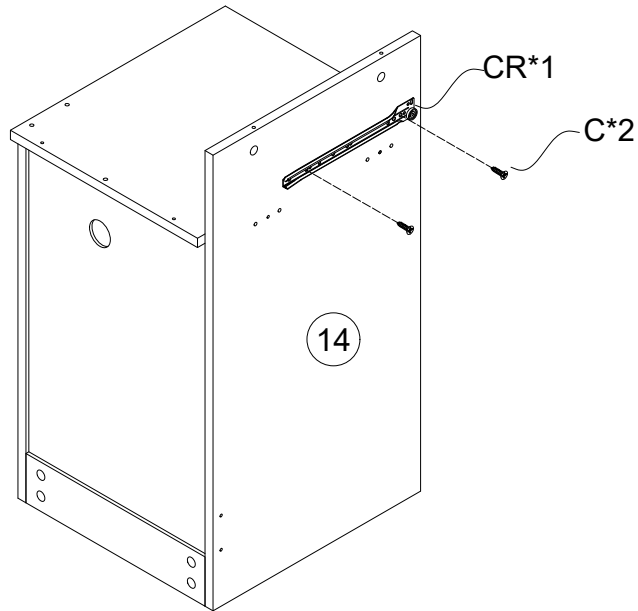
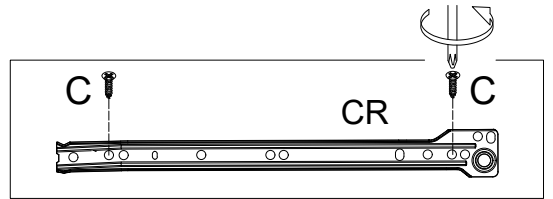
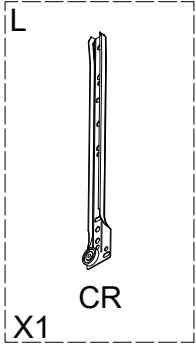
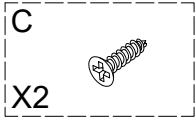
11



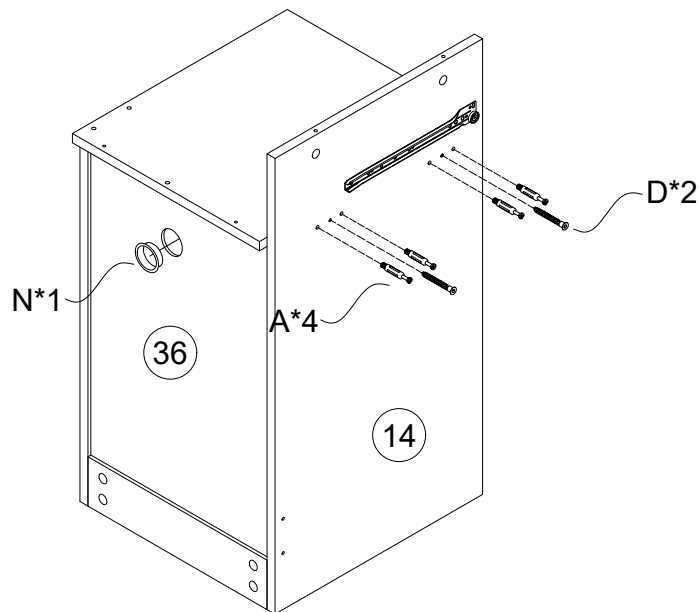
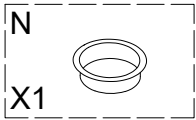
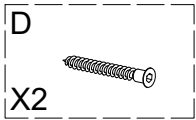
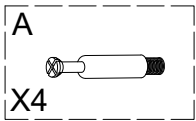
12



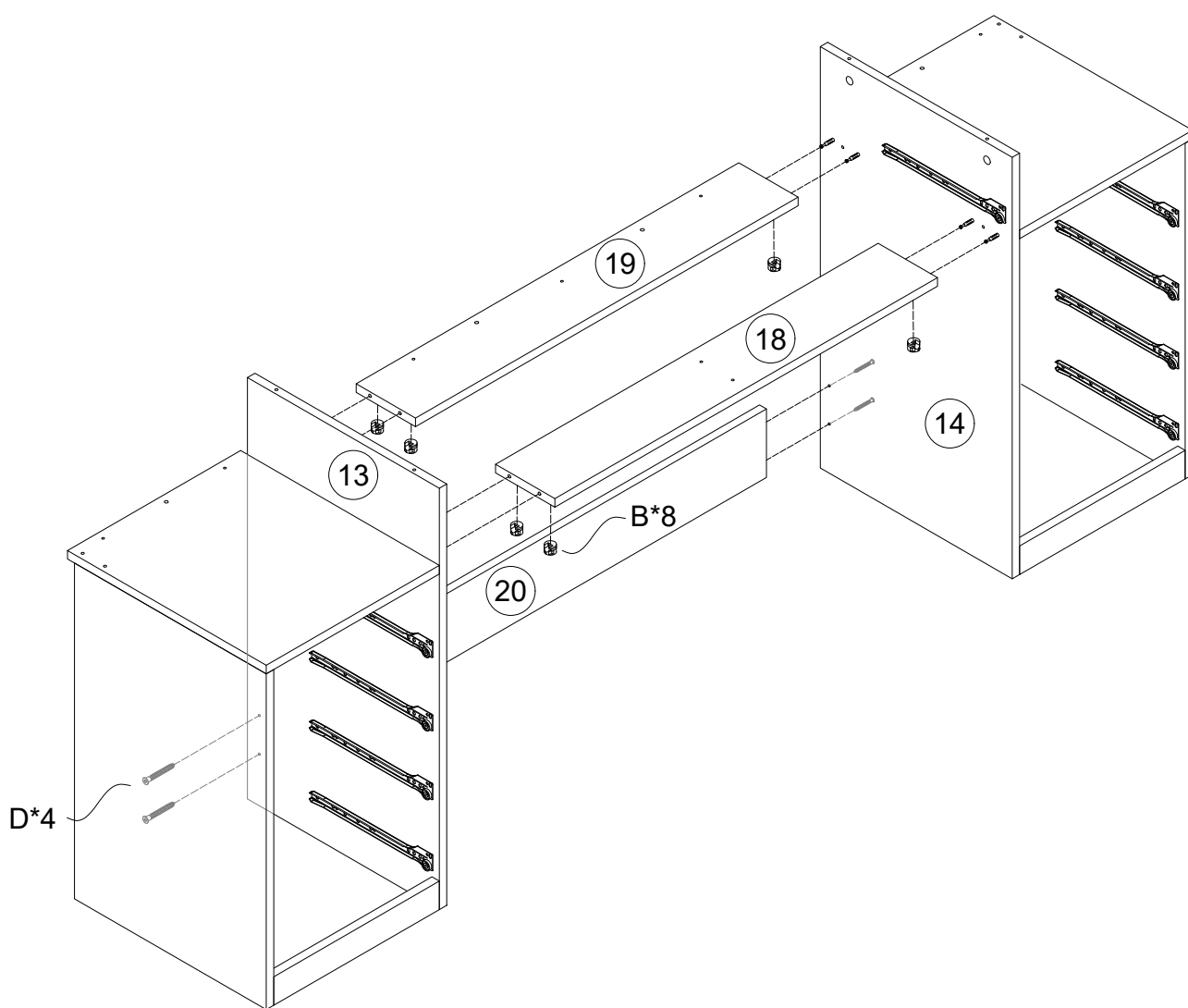
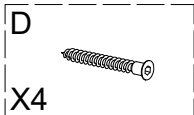
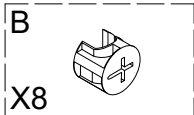
13



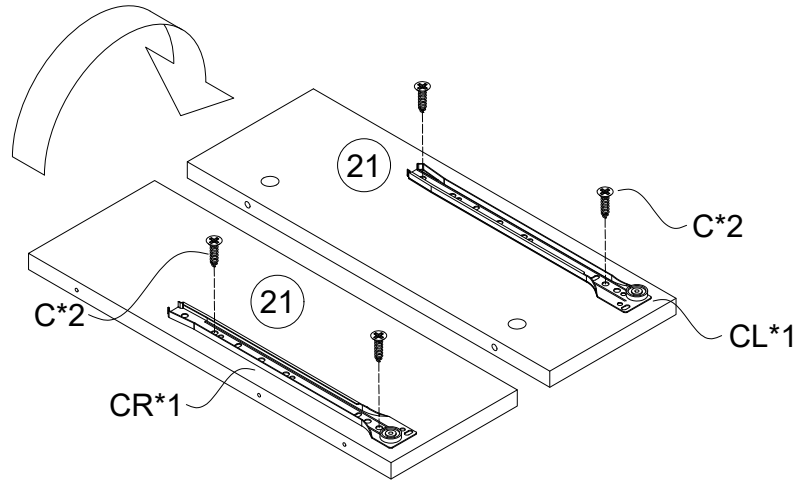
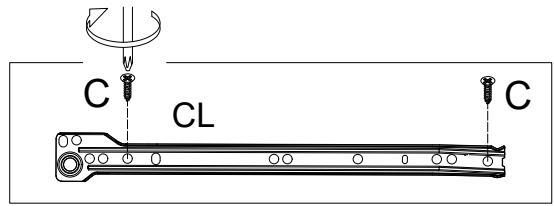
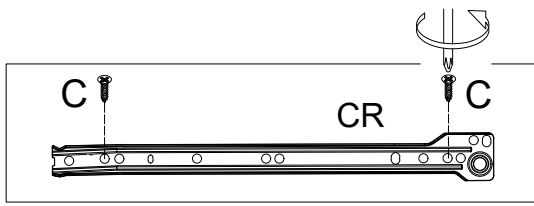
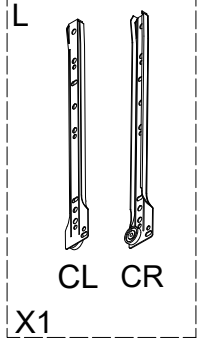
14



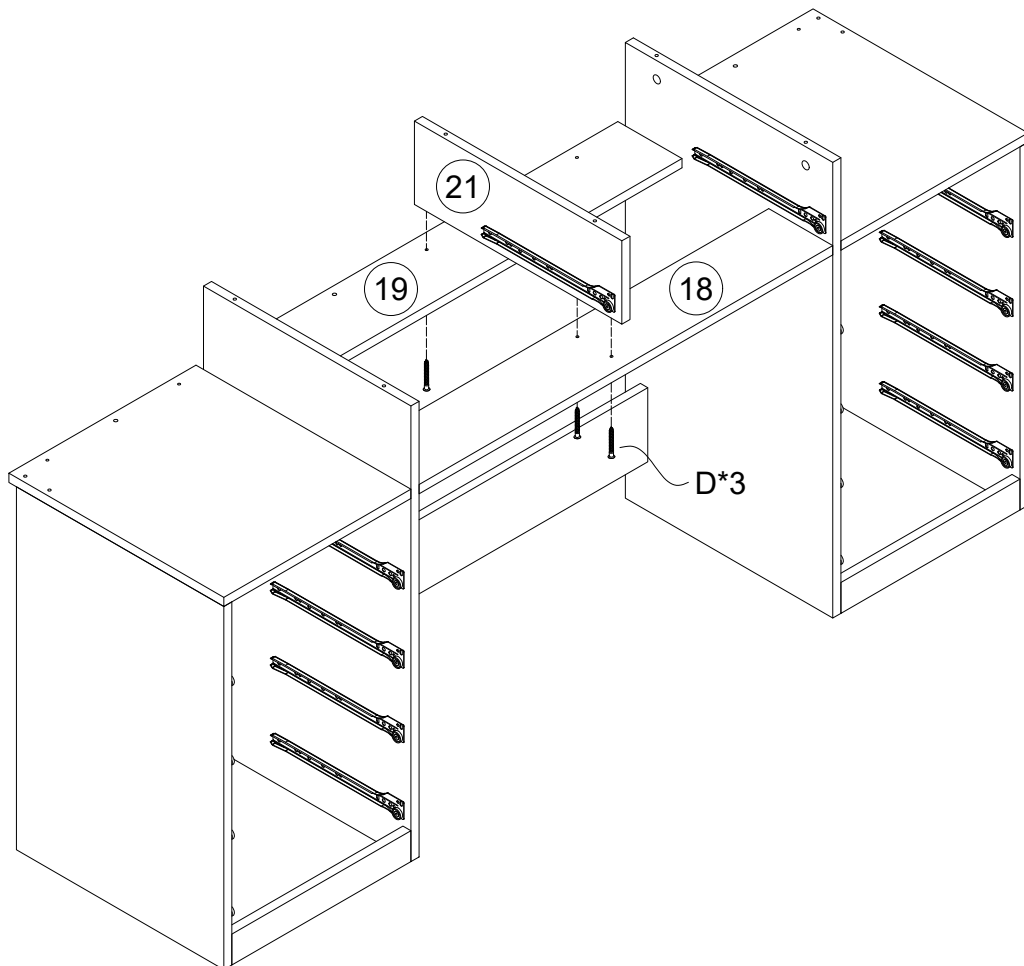
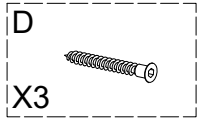
15

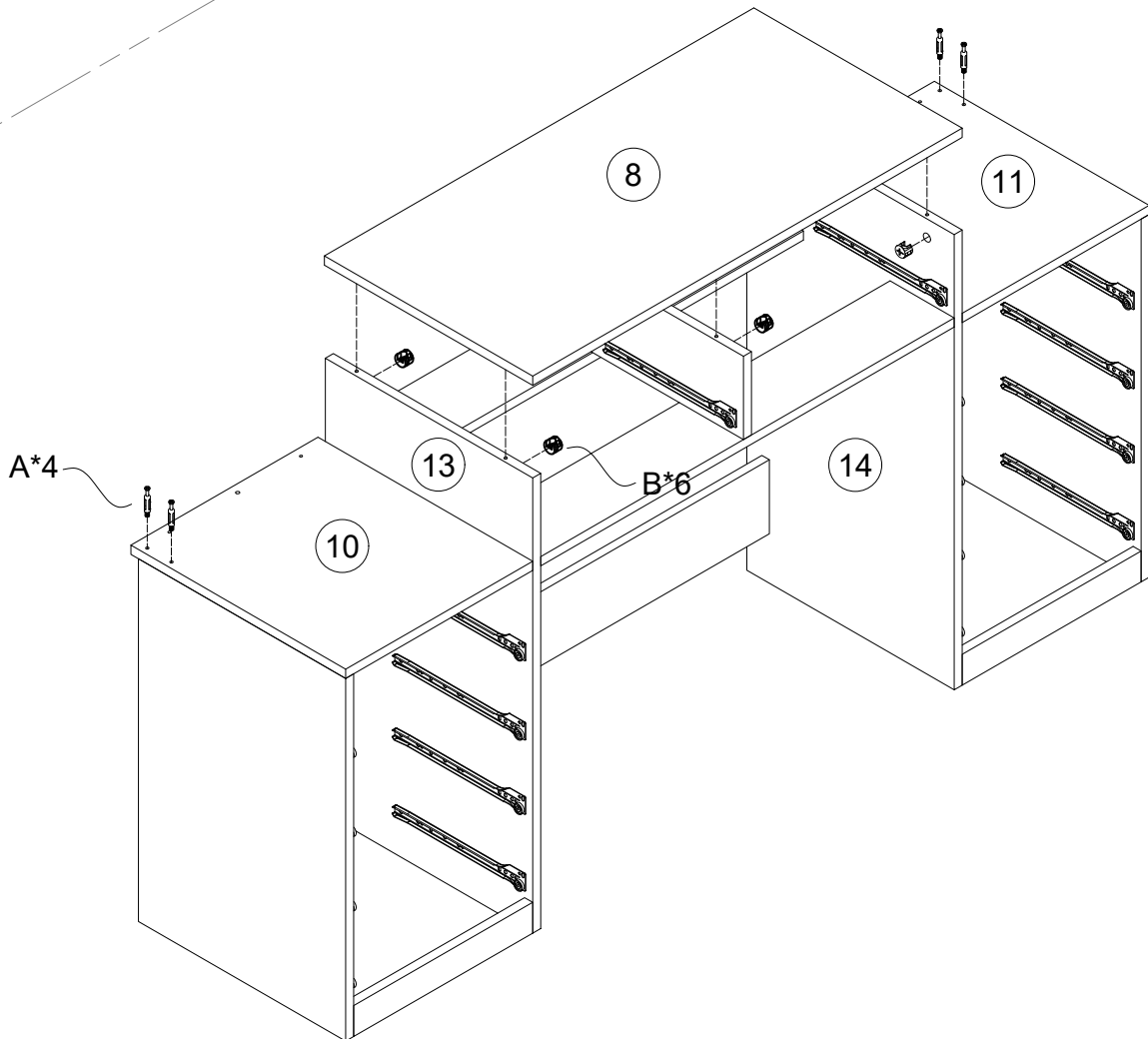
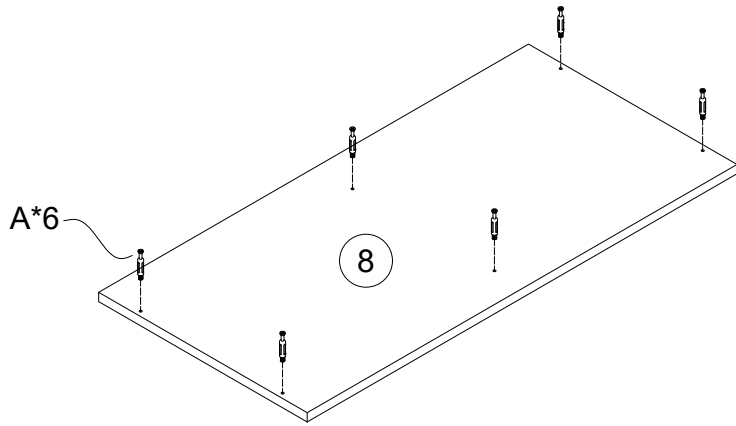
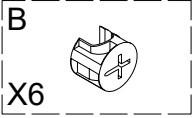
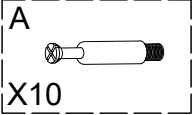


16

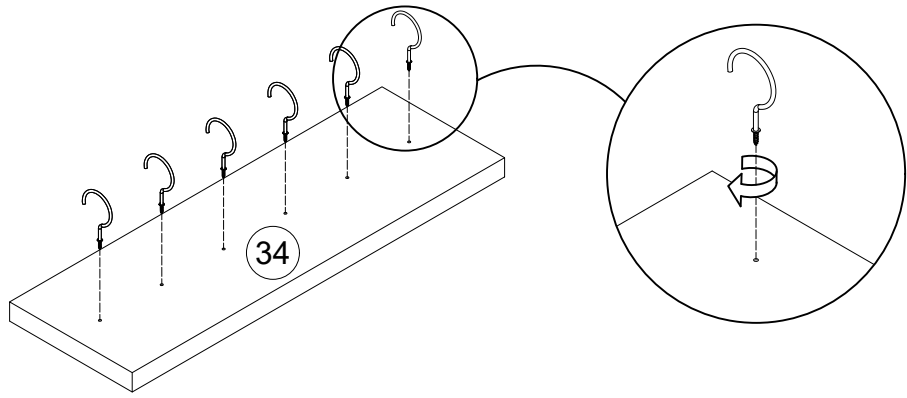
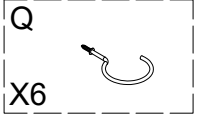


17

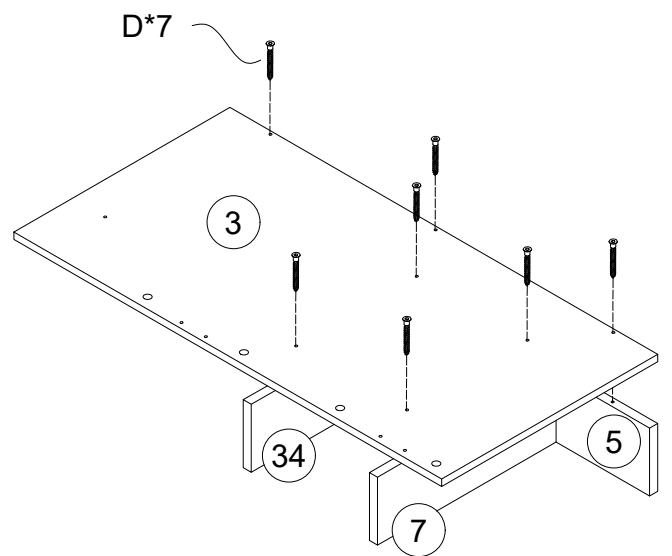
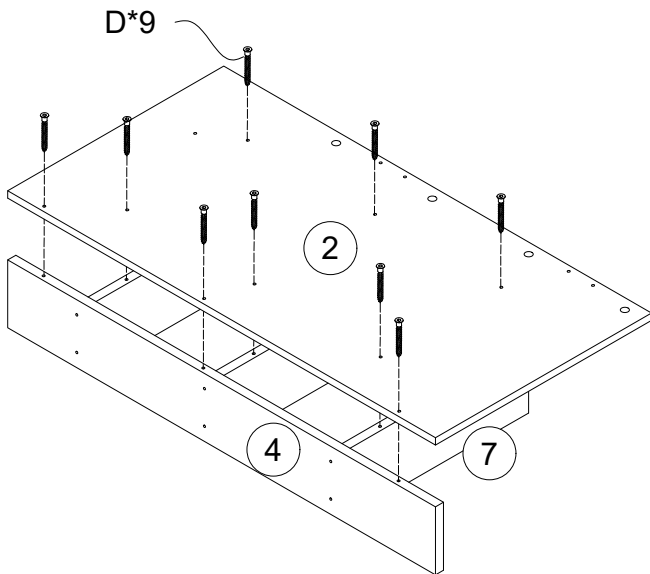
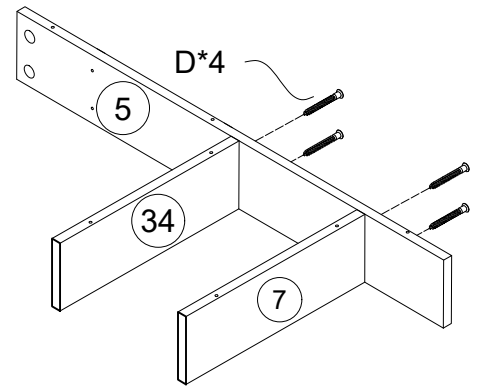
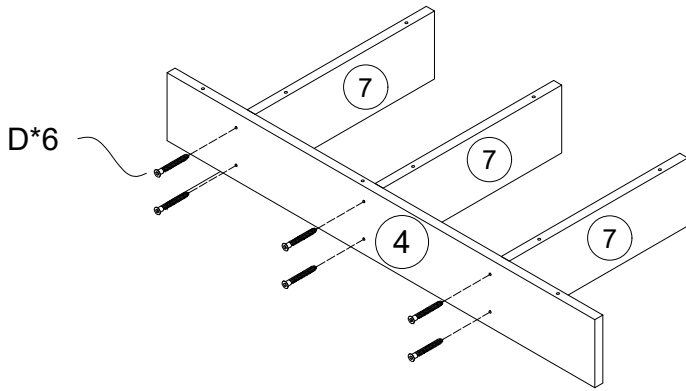
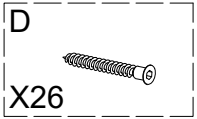




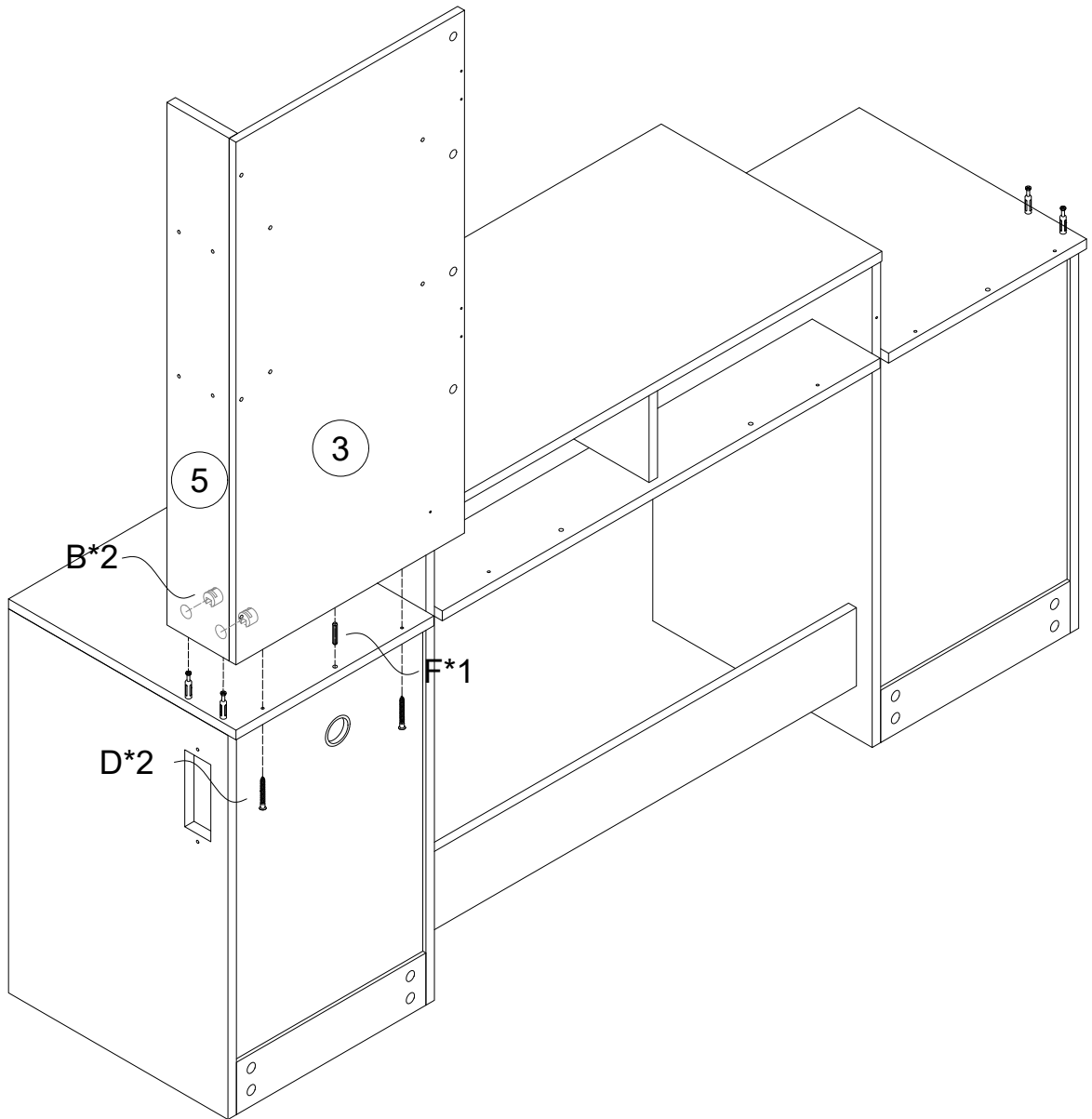
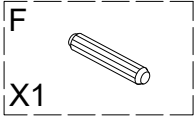
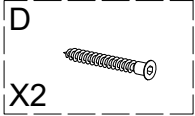
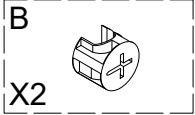
19



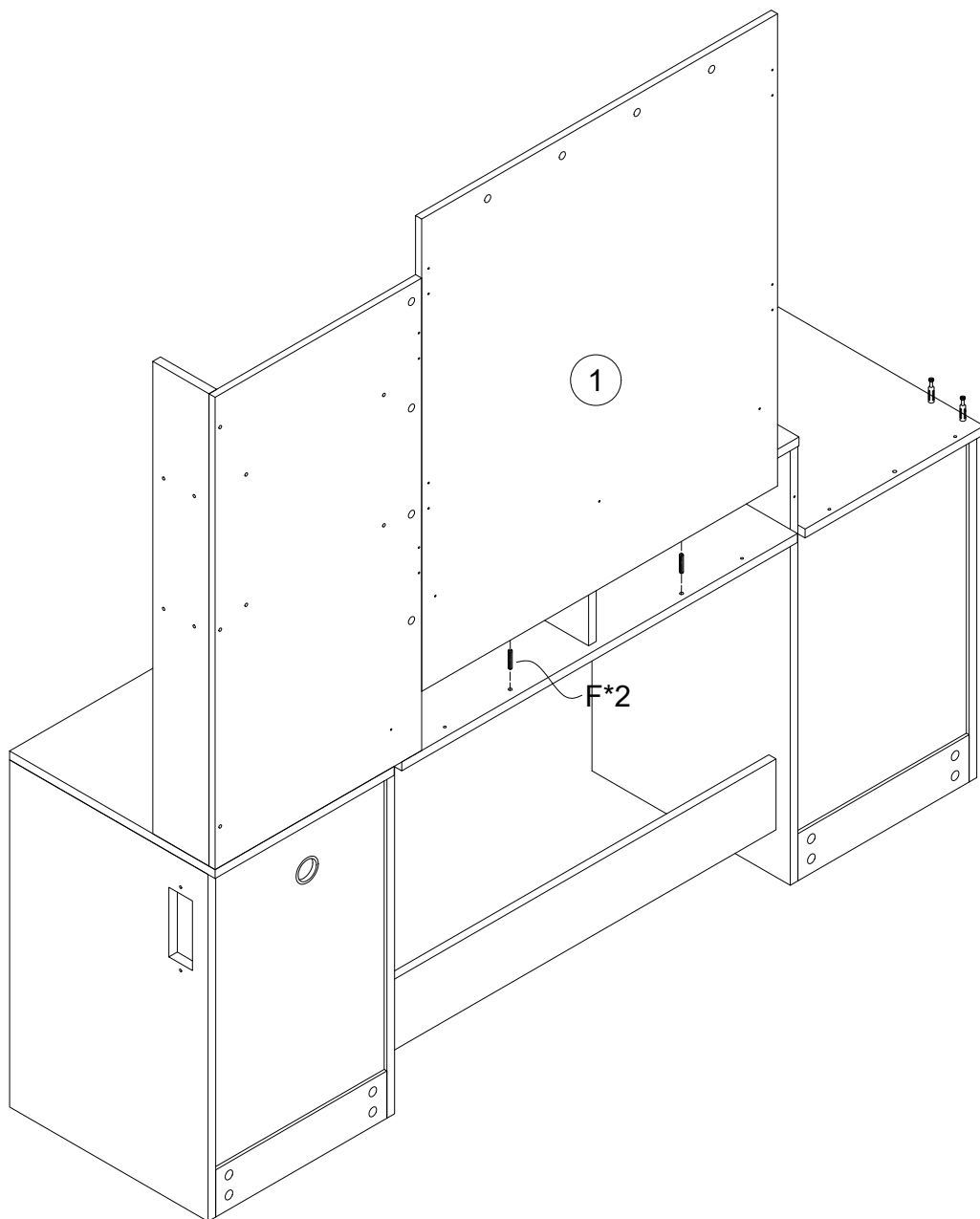
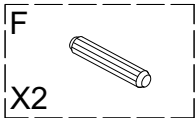
20

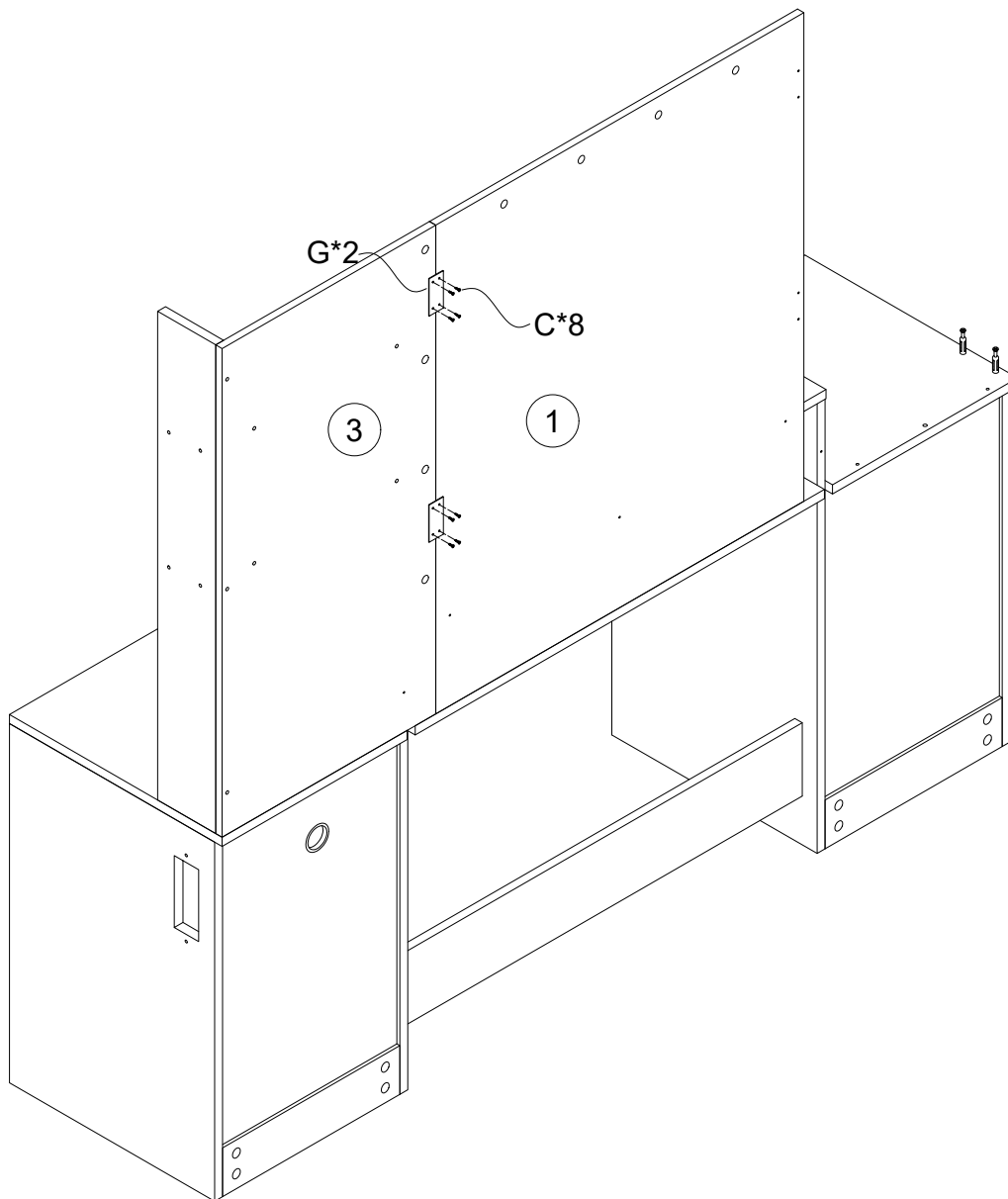
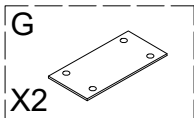
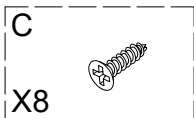


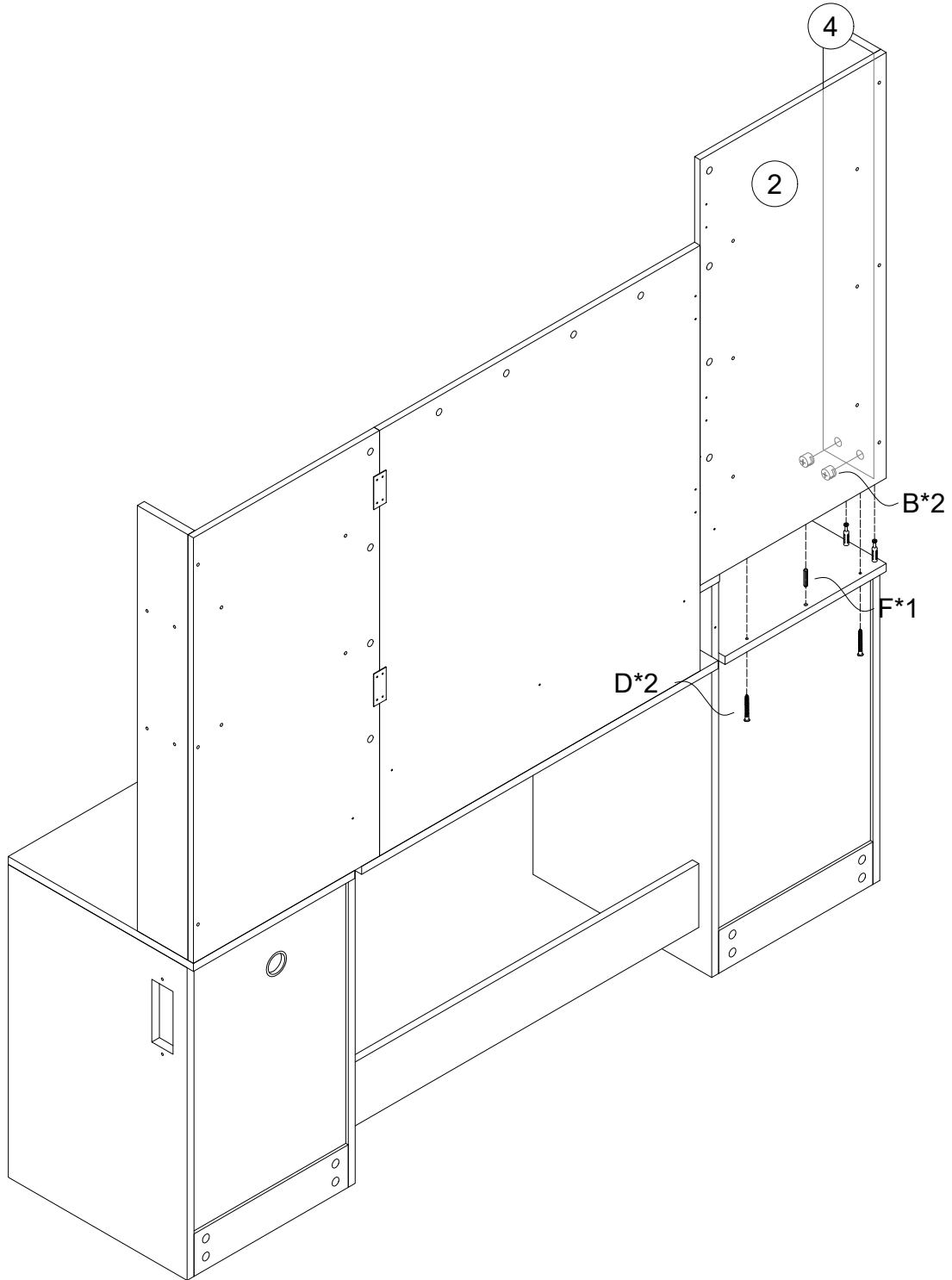
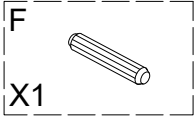
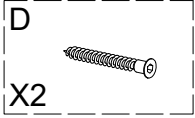
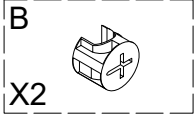
21



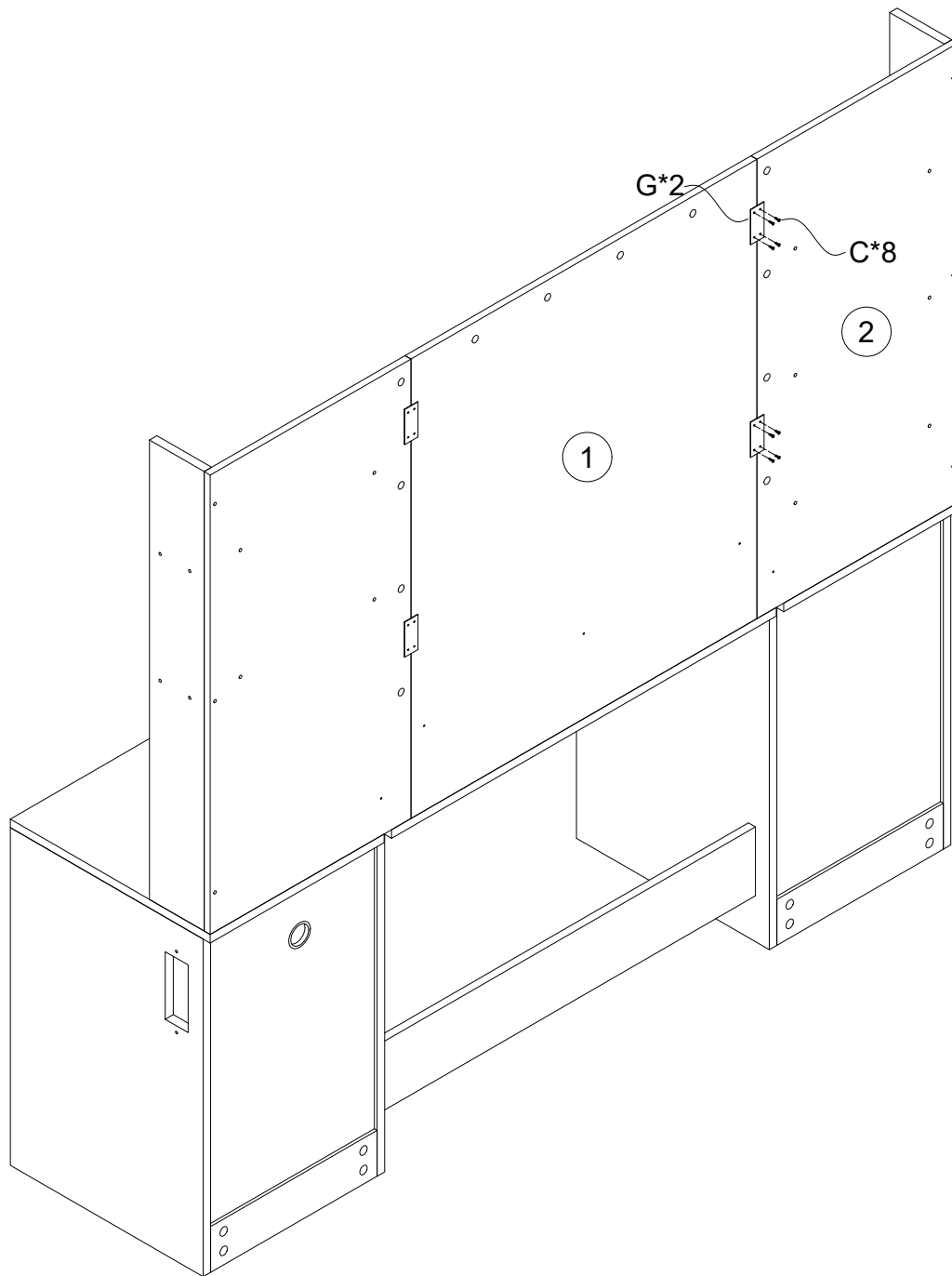
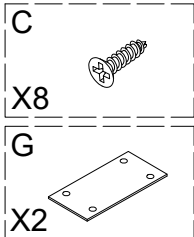
22







25

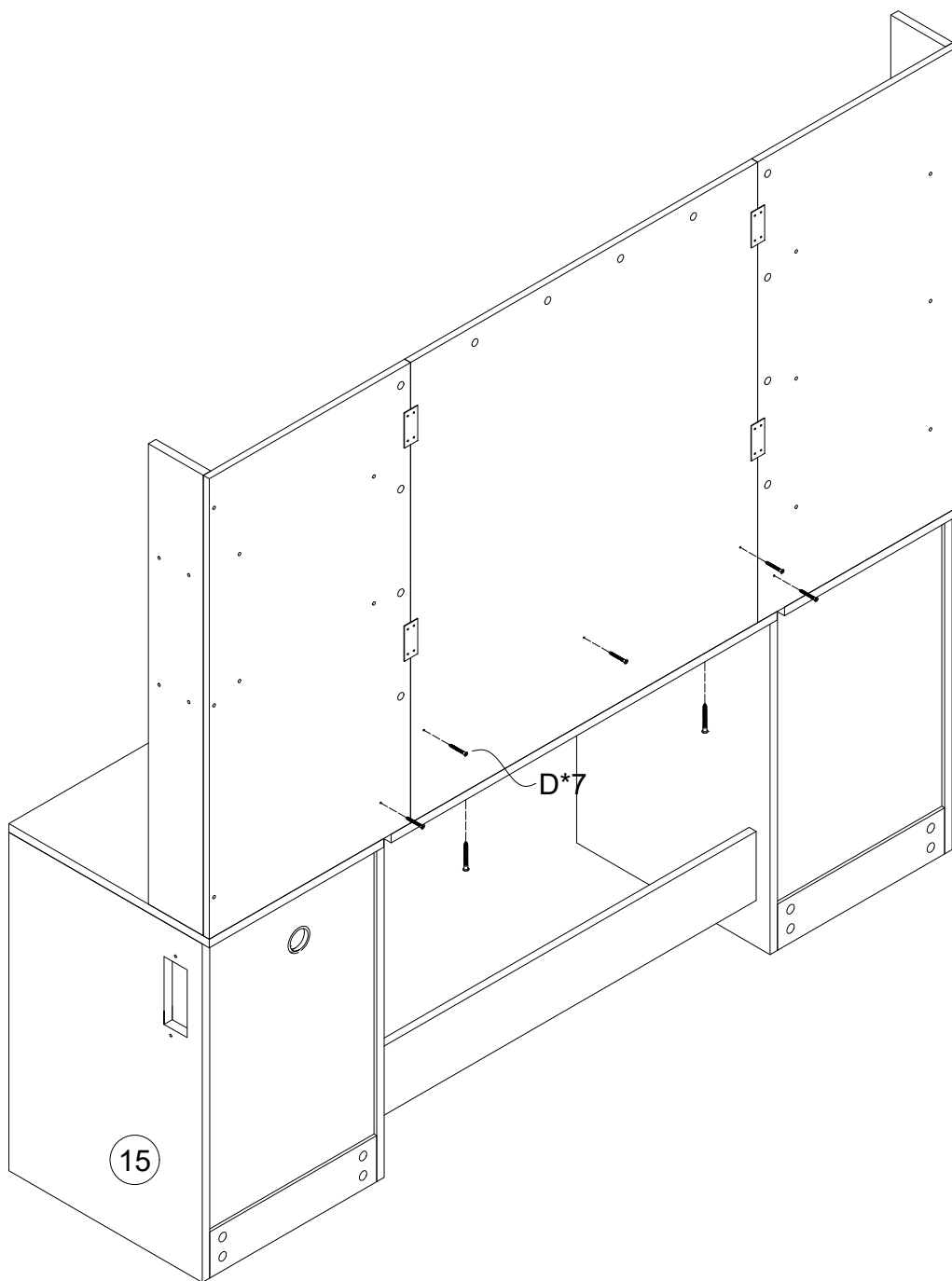


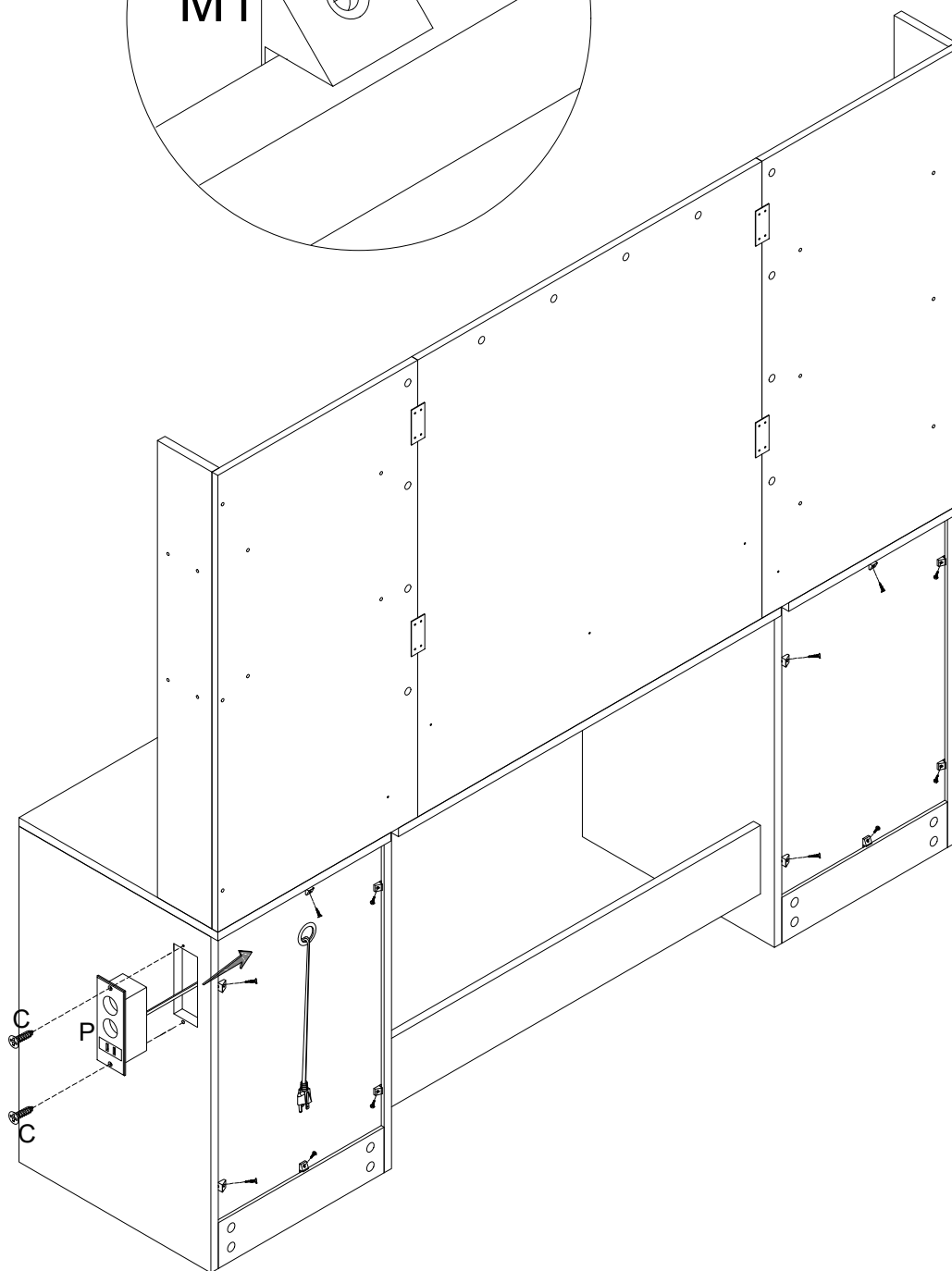
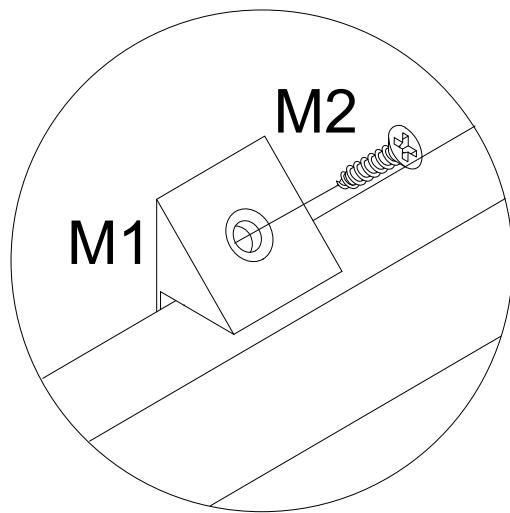
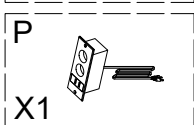
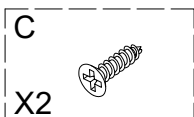
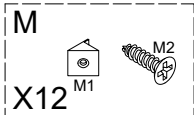
26

D



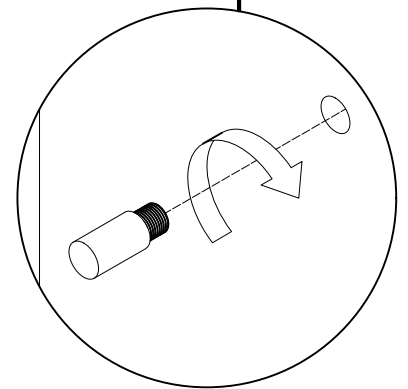
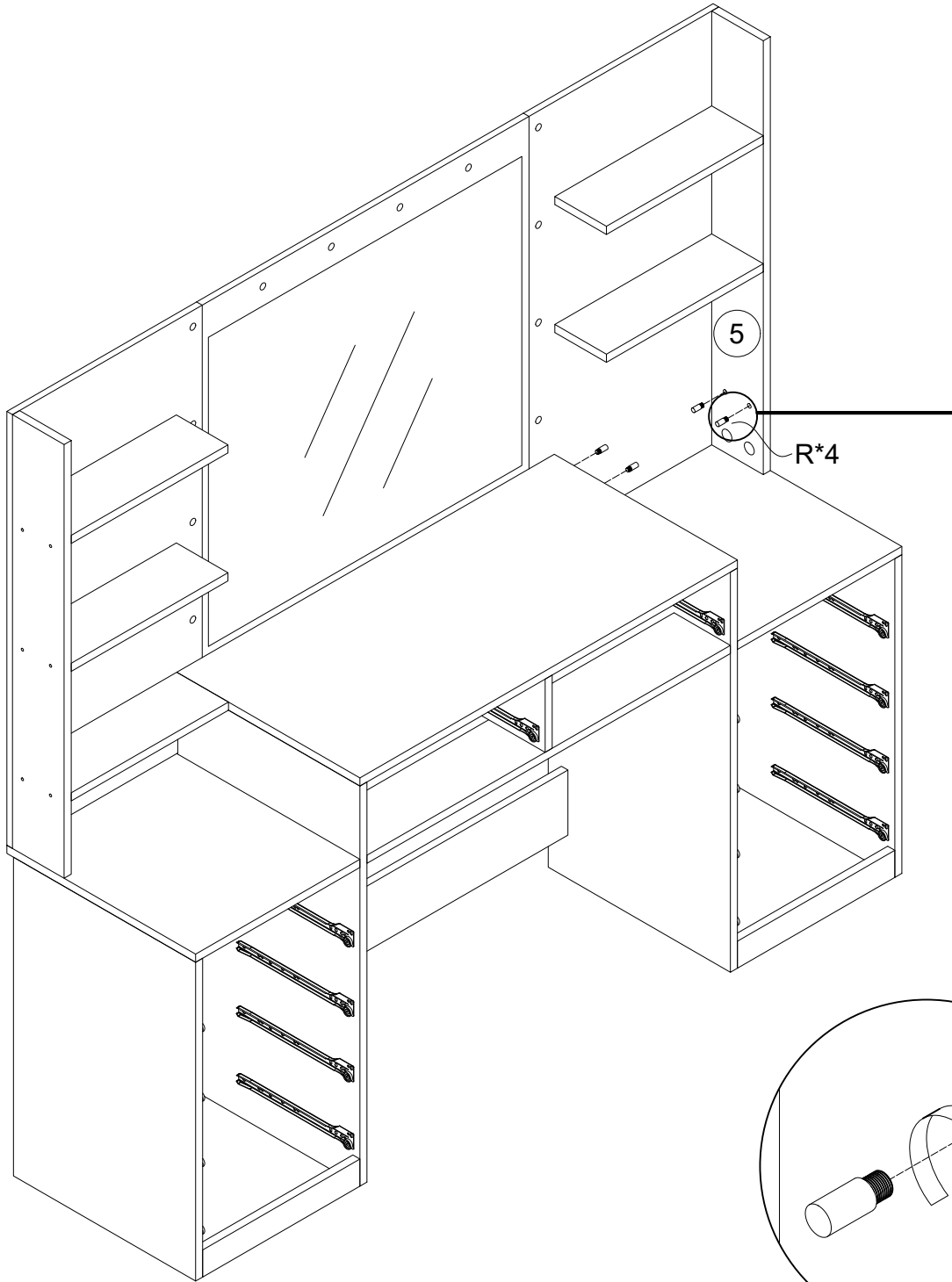
X7

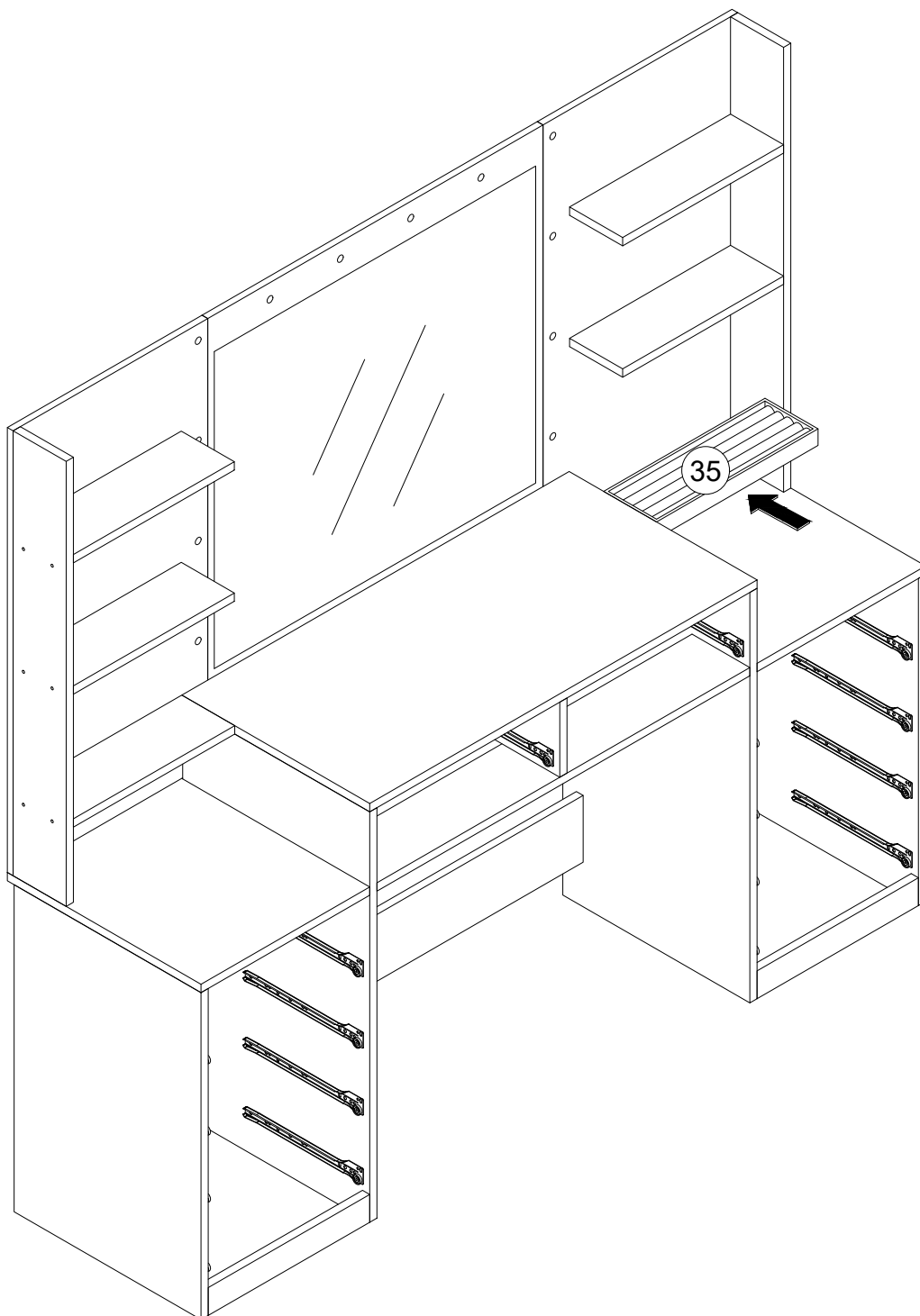




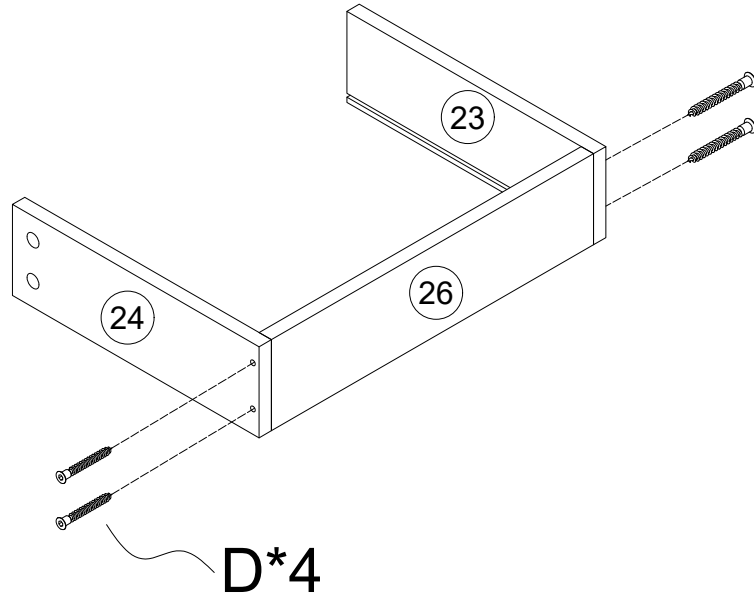
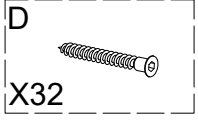
R

X4



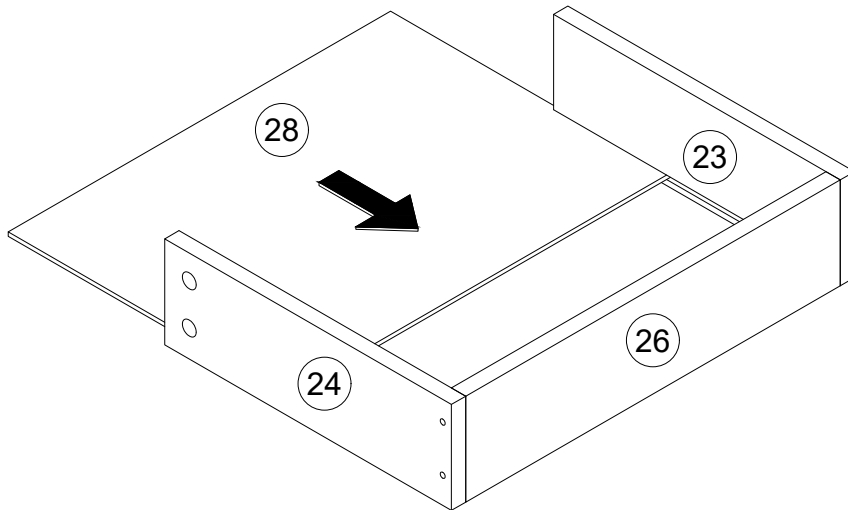


30



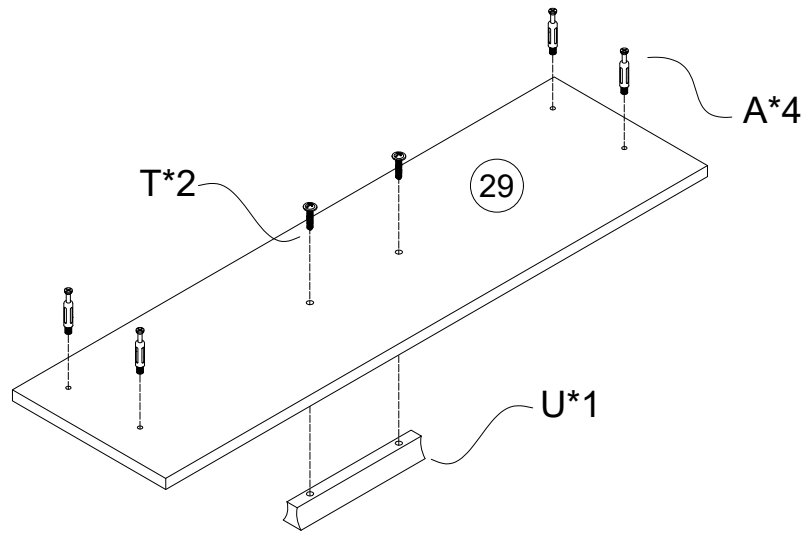
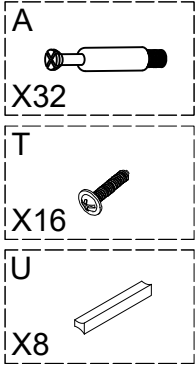
x8

31



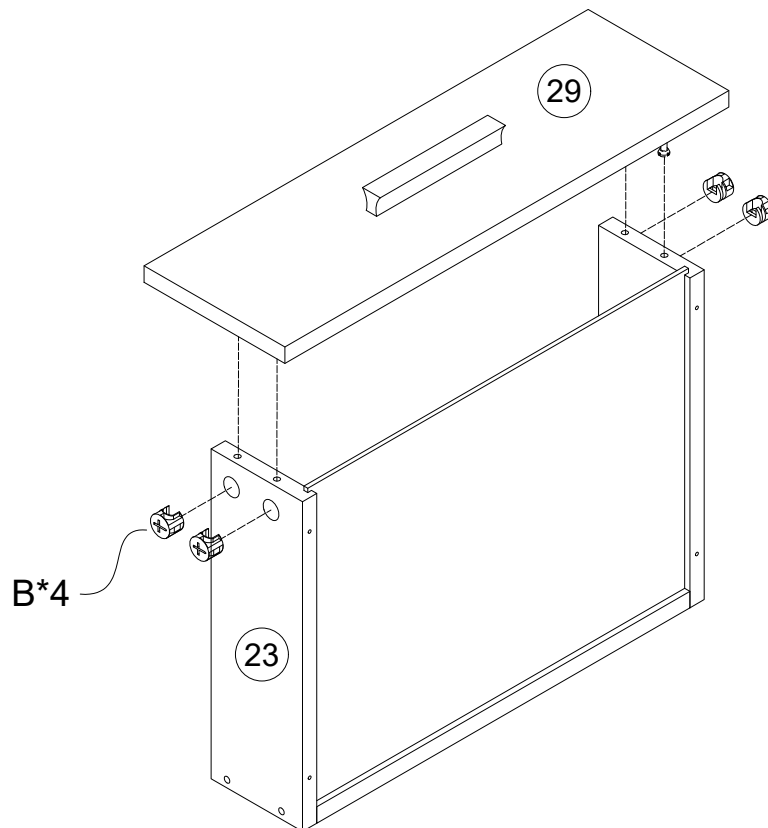
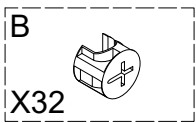
x8

32



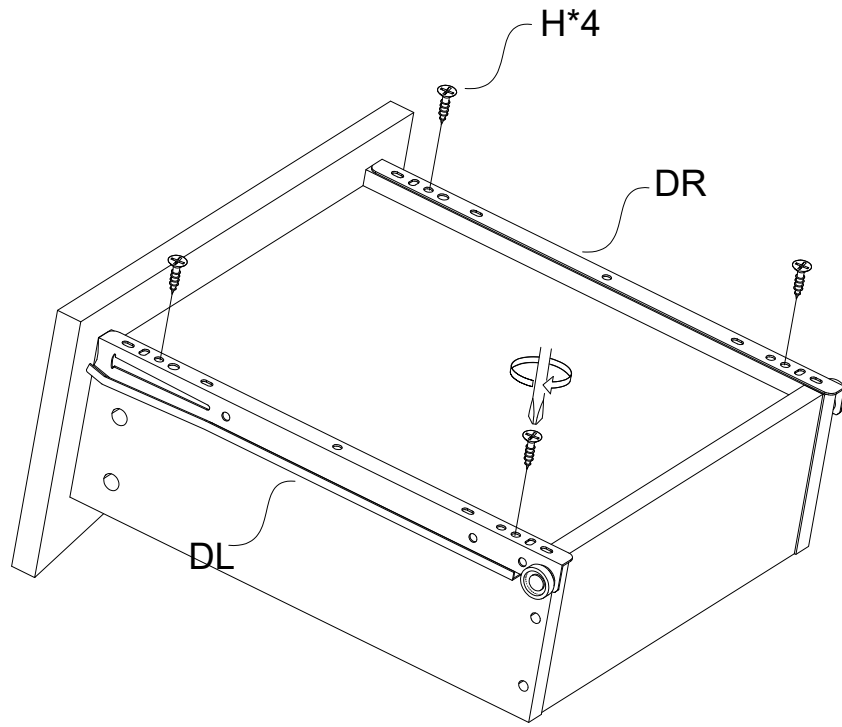
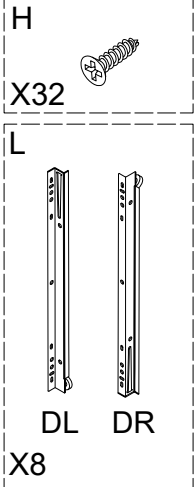
x8

33



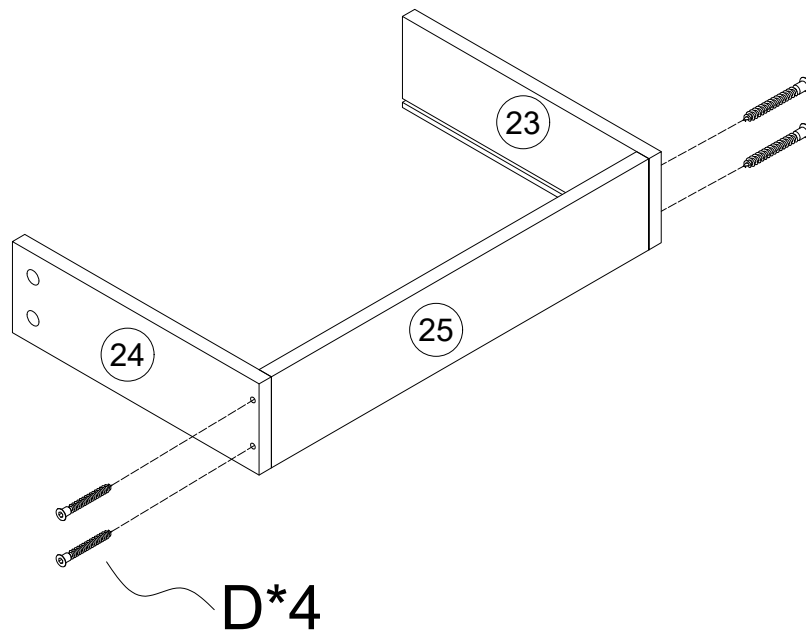
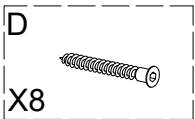
x8

34



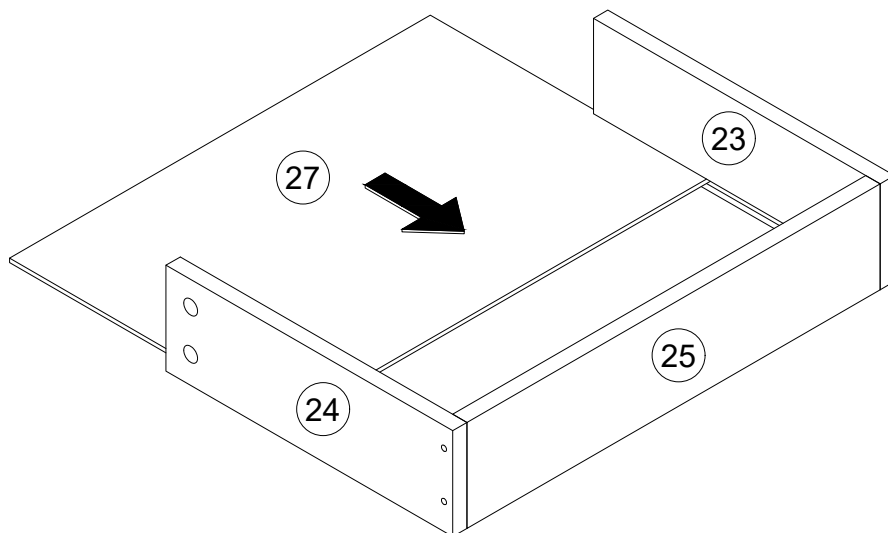
x8

35



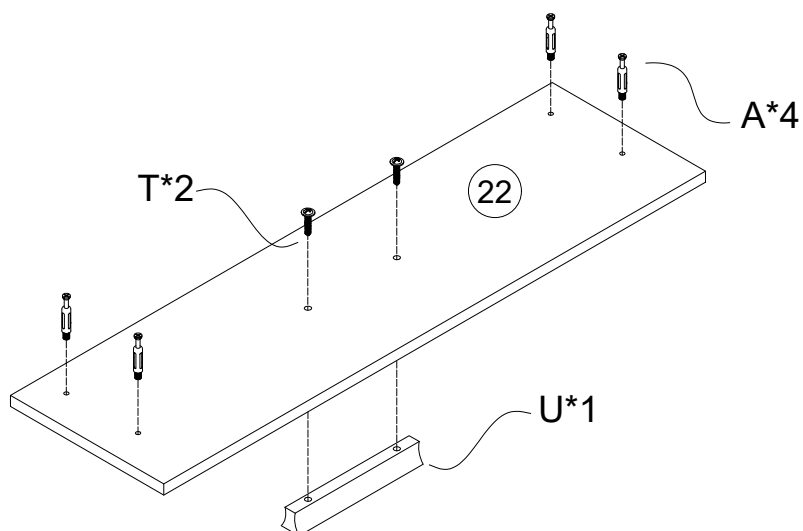
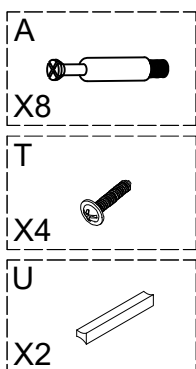
x2

36



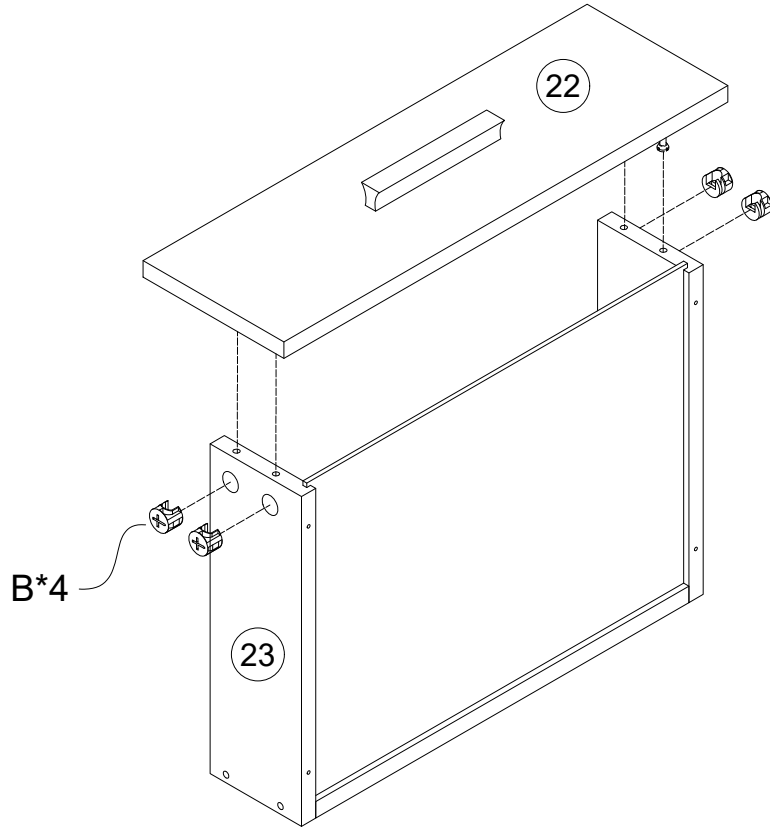
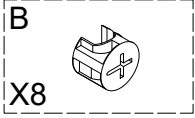
x2

37



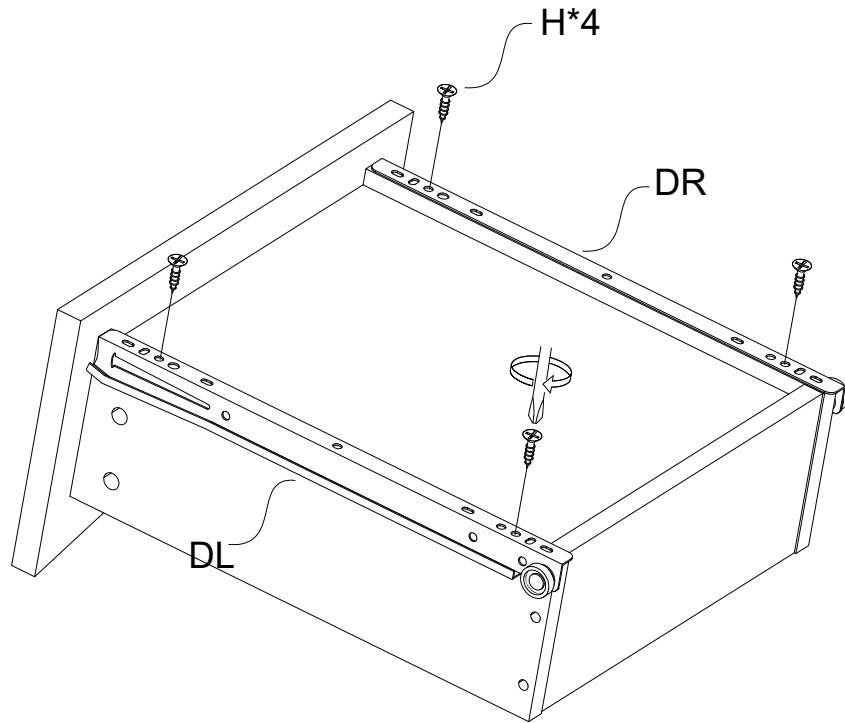
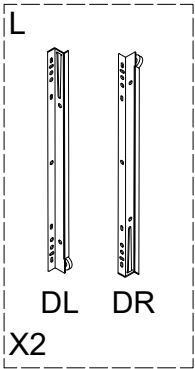
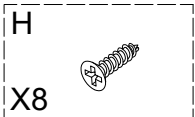
x2

38



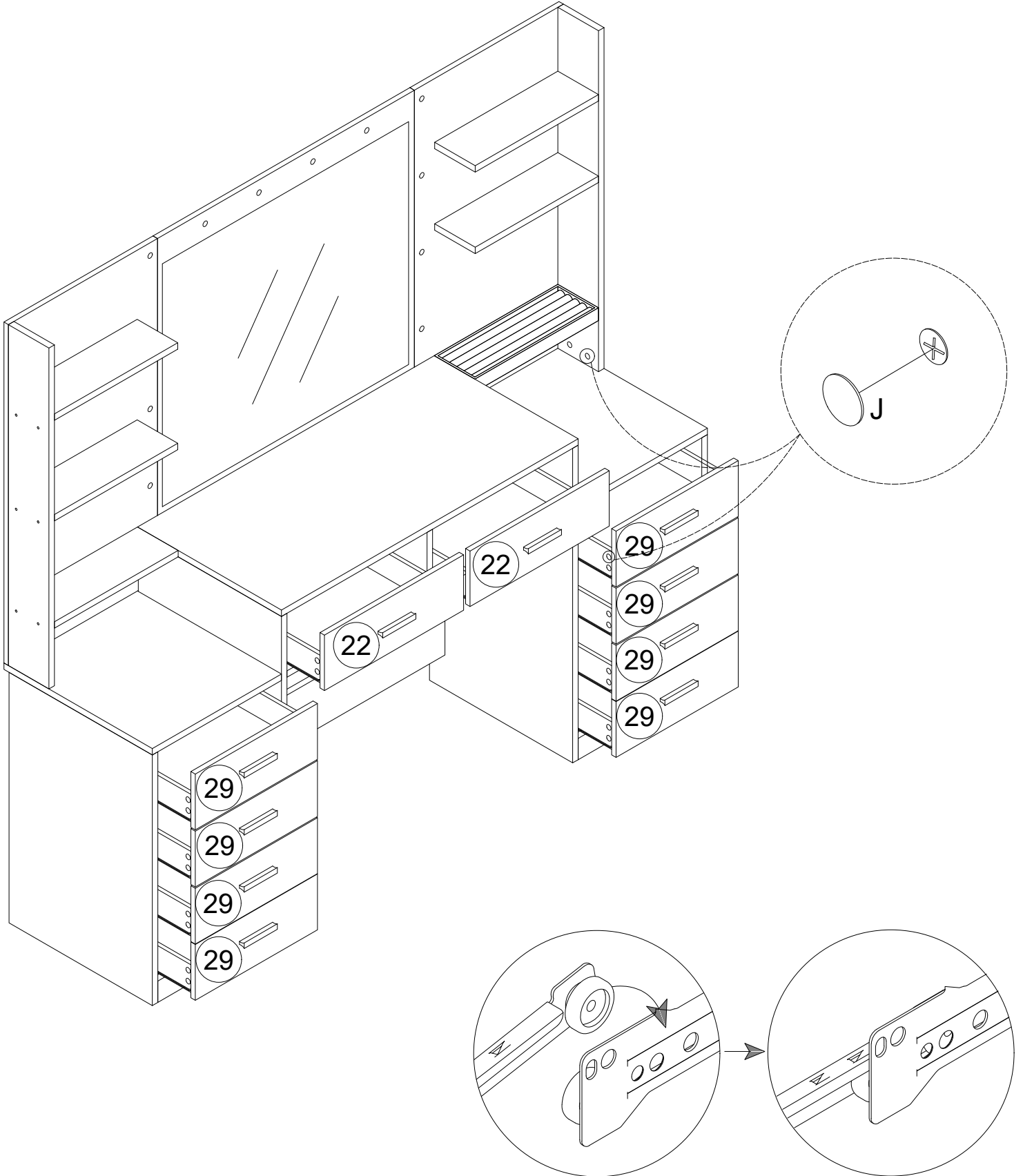
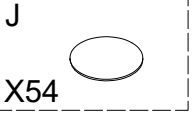
x2

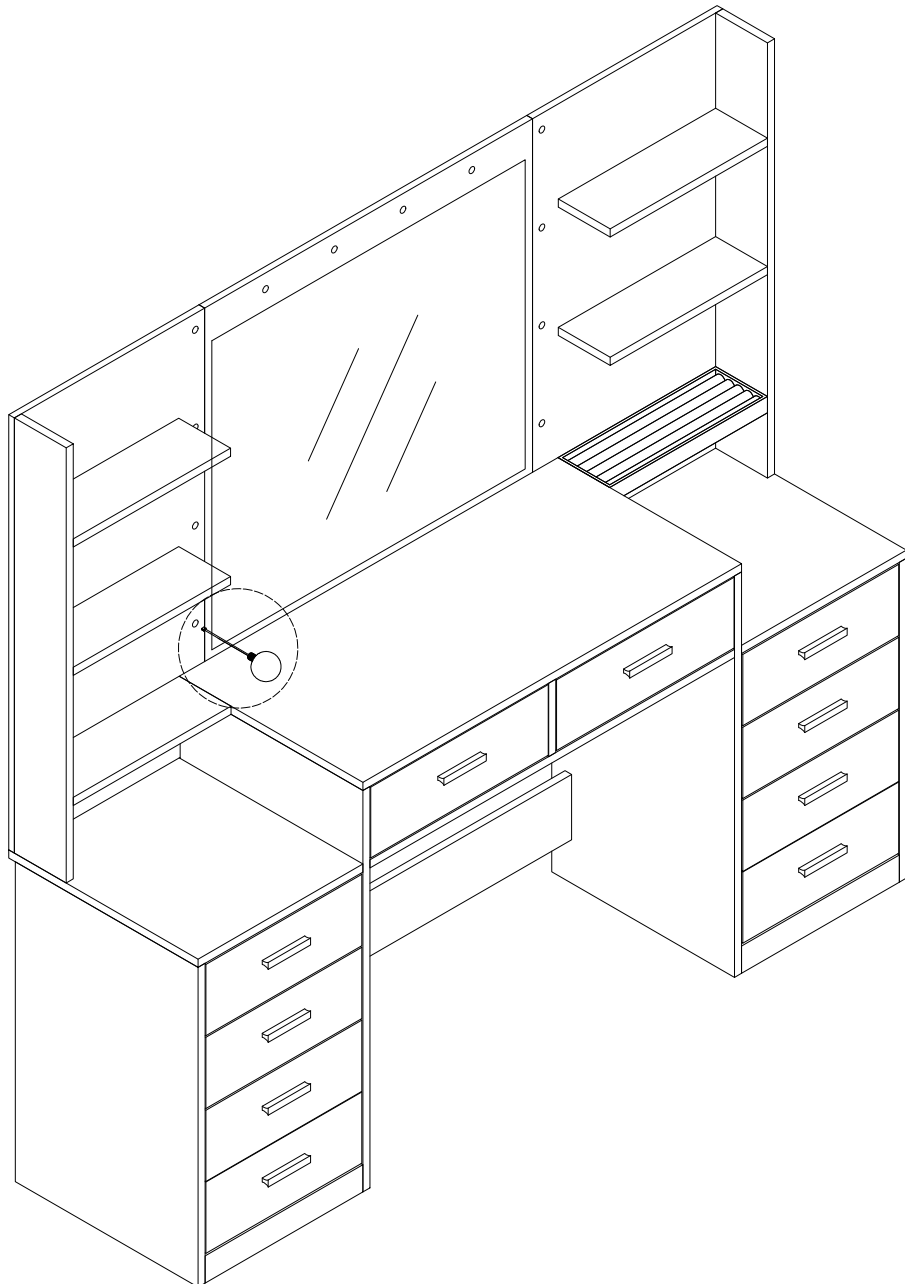
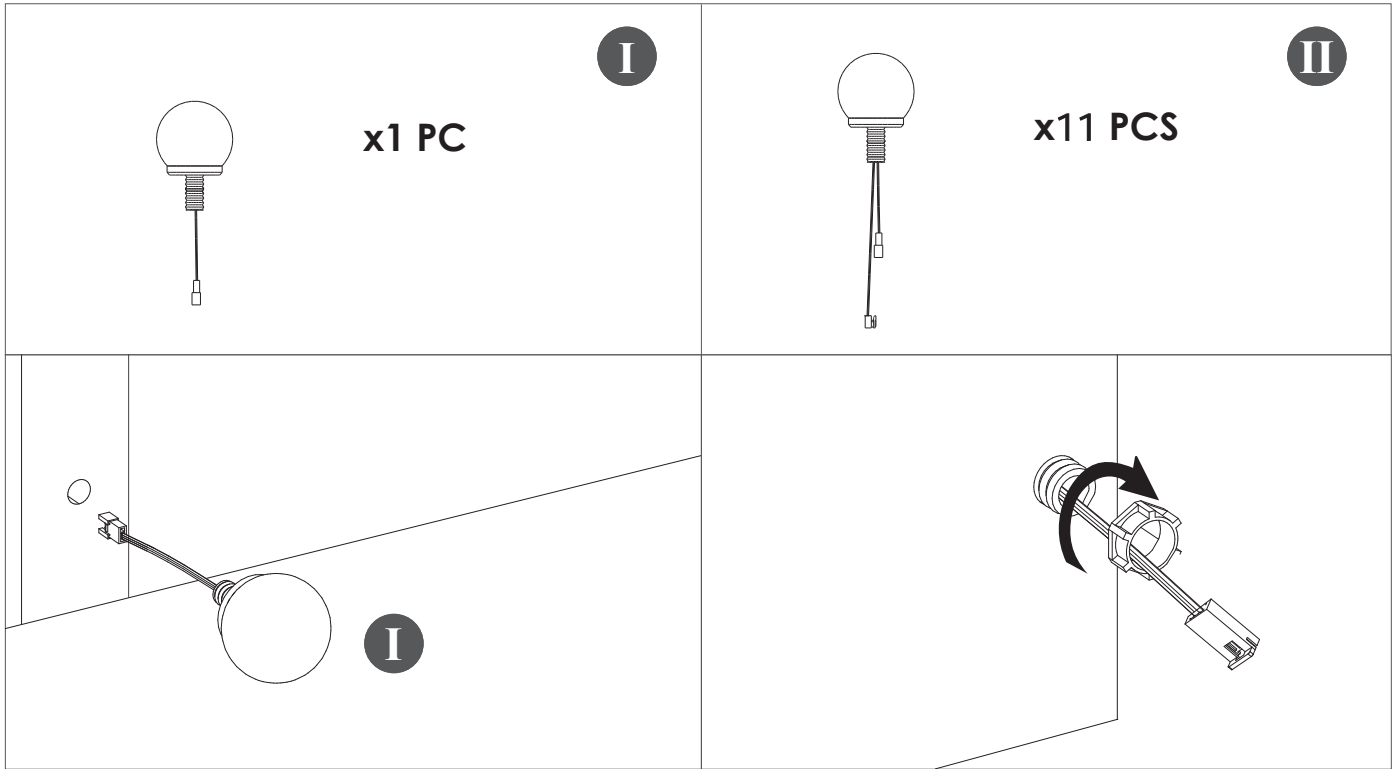
39

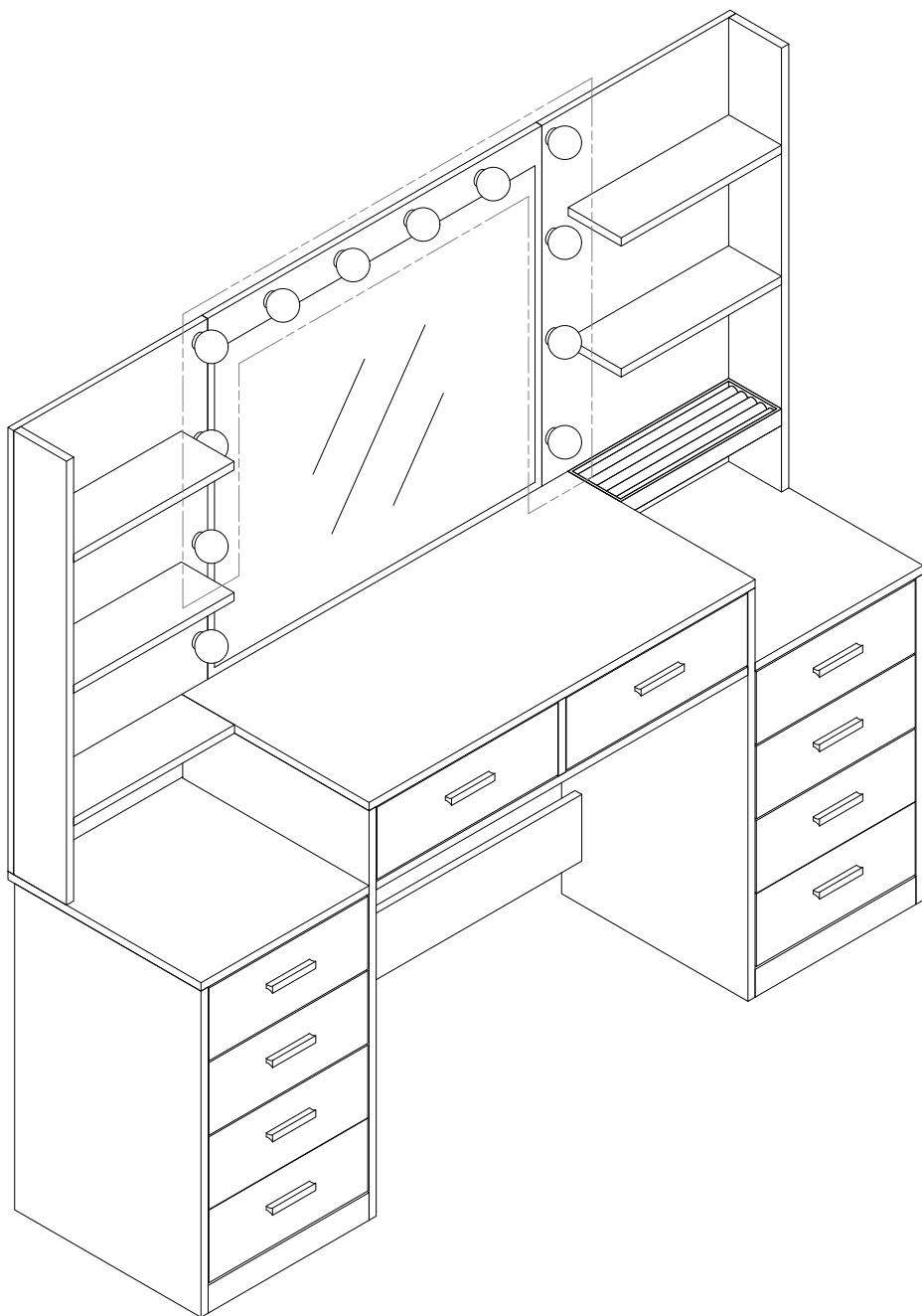
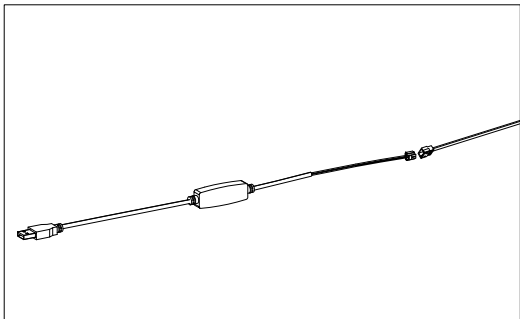
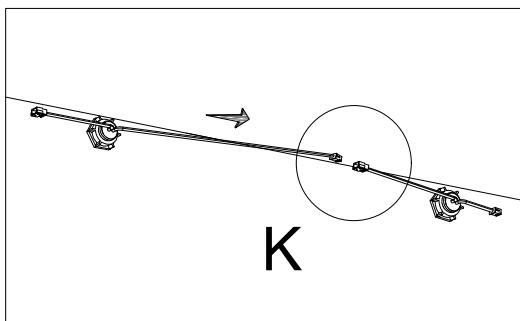
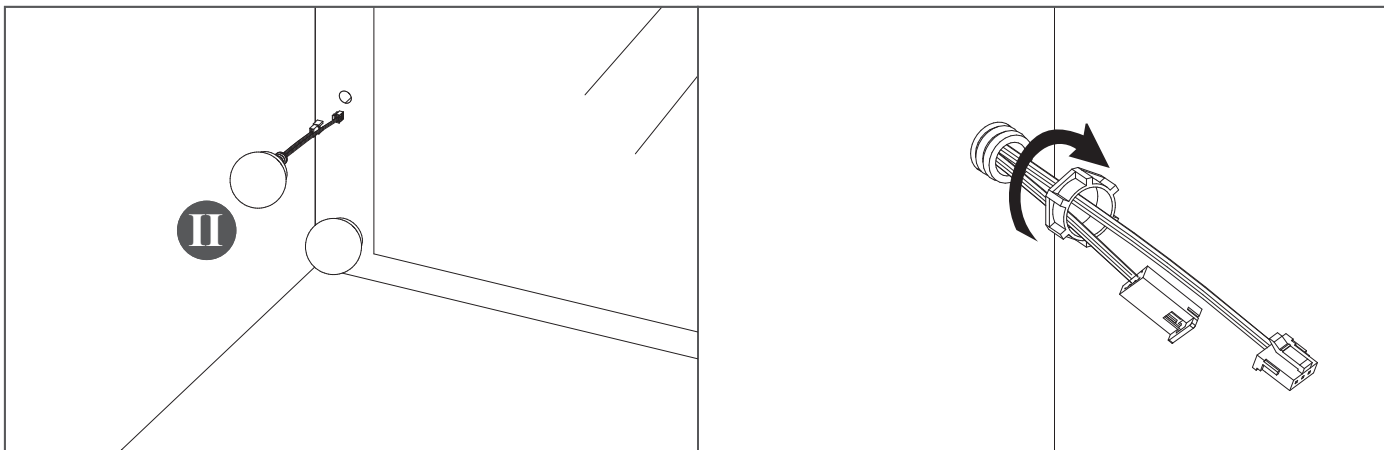


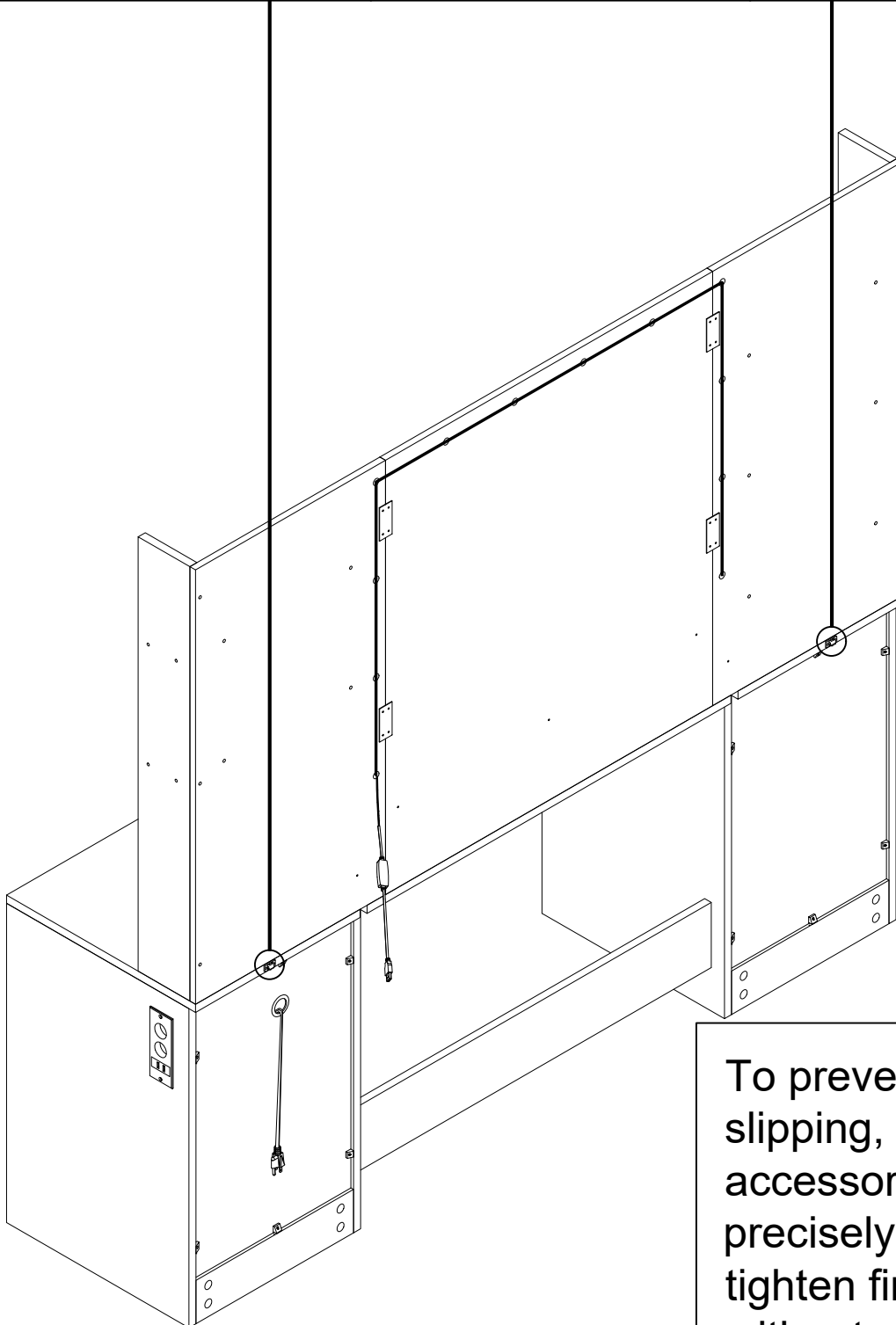
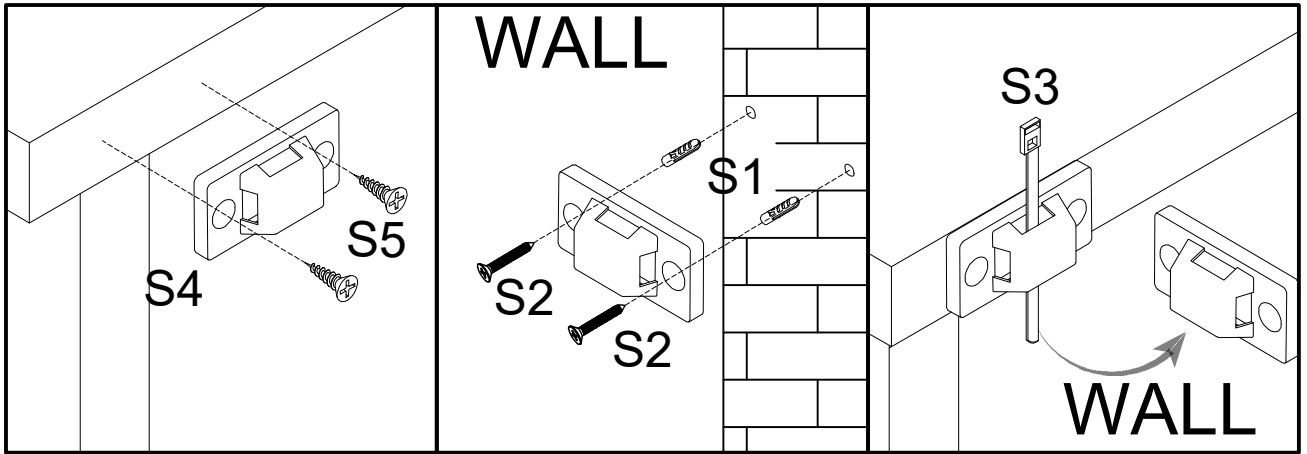
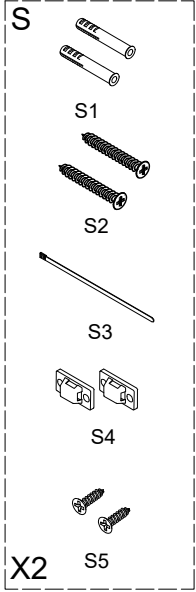
x2

40









To prevent screw slipping, align the accessory holes precisely and tighten firmly without pilot holes.