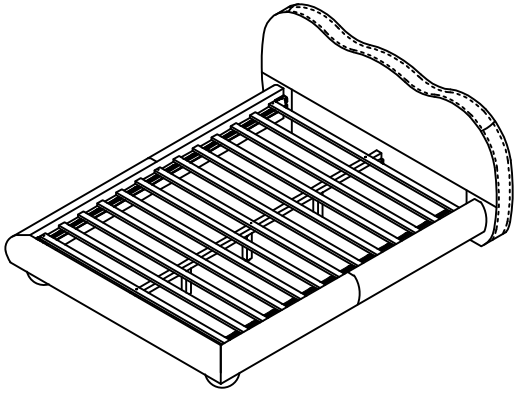


ASSEMBLY INSTRUCTIONS

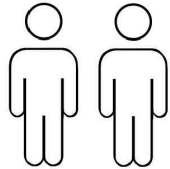
QUEEN



+ Do Not Use Power Tools



+ Suggested Adults



NOTE:

- 1 Read instructions cover to cover.
- 2 Save all packaging until assembly is completed.

1 IMPORTANT SAFETY INFORMATION

Do not assemble the product if any of the following parts arrived damaged:

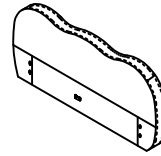
- Part 4 - Side Rails
- Part 5 - Center Support Bar
- Part 6 - Support Legs
- Part 7 - Slats

2 IMPORTANT ASSEMBLY INFORMATION

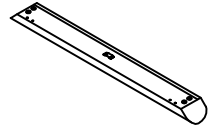
Assembly Step Ensure the side rail bracket is fully hooked onto bolt loosely threaded with both washers on the **OUTSIDE** of the bracket first, then proceed to fully tightening all 4 corners.

+ Parts Included

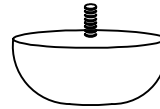
① HEADBOARD (1 PC)



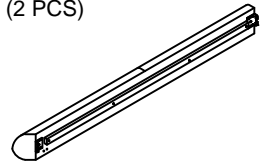
② FOOTBOARD (1 PC)



③ BED LEG (2 PCS)



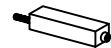
④ SIDE RAILS (2 PCS)



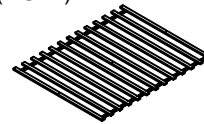
⑤ CENTER SUPPORT BAR (1 PC)



⑥ SUPPORT LEGS (3 PCS)



⑦ SLATS (1 SET)



+ Hardware Included

A M6 x 20mm (8 PCS)



B 5/16 HEX NUT (2 PCS)



C M6 (8 PCS)



D M6 (8 PCS)



E M8 (2 PCS)



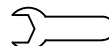
F M8 (2 PCS)



G LB 001 (2 PCS)



H SPANNER 13mm (1 PC)



I M4 x 20mm (2 PCS)



J M4 x 38mm (9 PCS)



K M4 (1 PC)



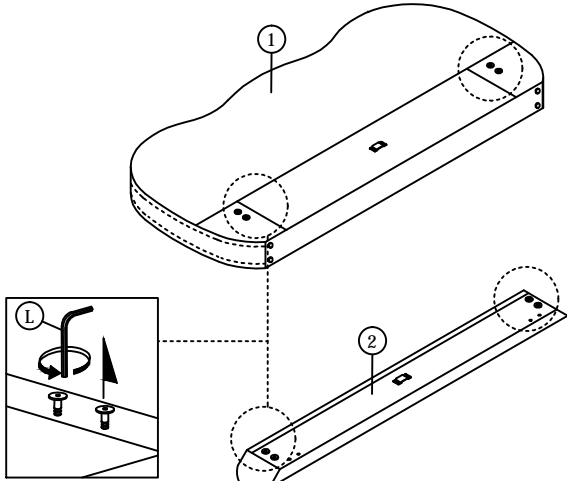
L M5 (1 PC)



ASSEMBLY INSTRUCTIONS

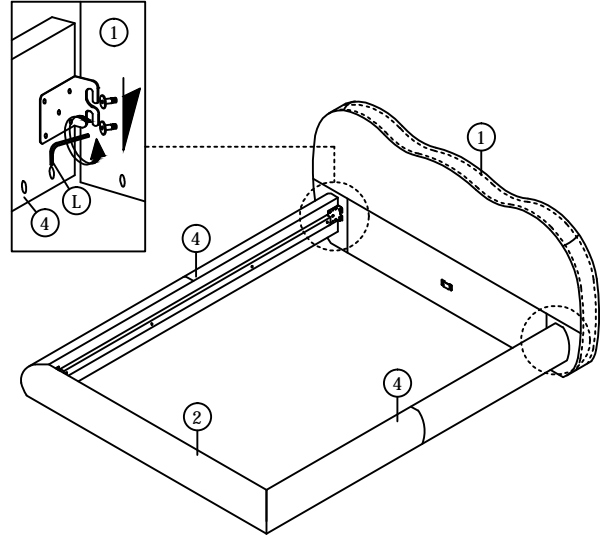
QUEEN

1

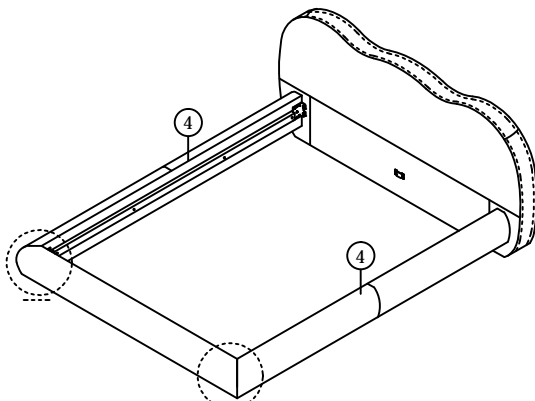


Loosen the pre-inserted bolt on the headboard and footboard using Allen key ball shape (L).

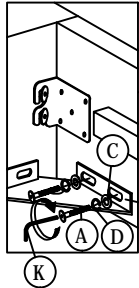
2



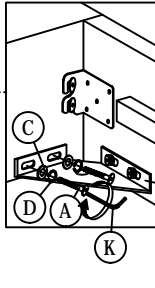
3



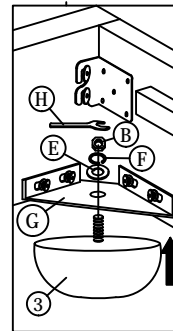
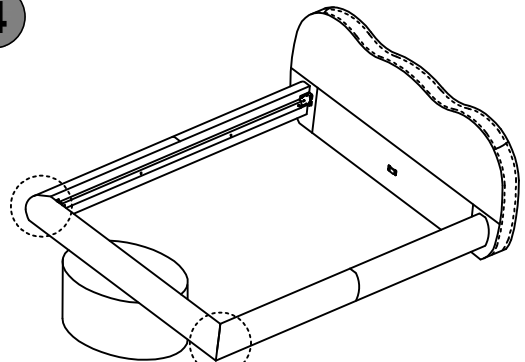
STEP 3.1



STEP 3.2



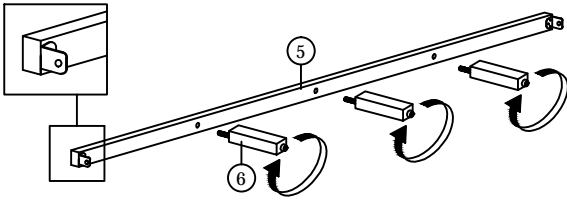
4



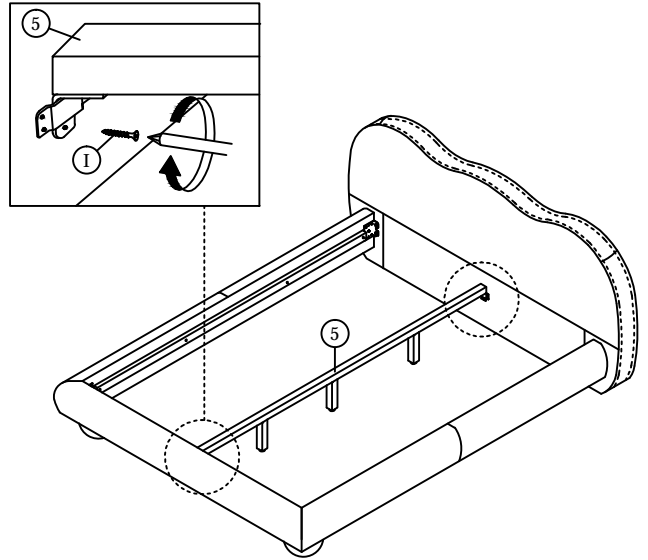
ASSEMBLY INSTRUCTIONS

QUEEN

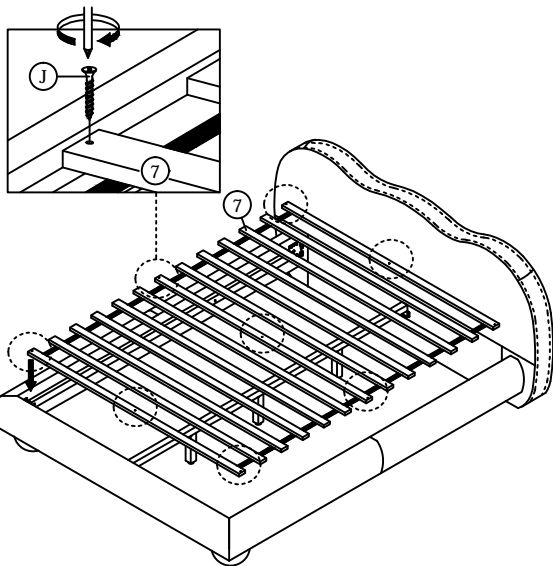
5



6



7



8

