




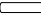



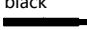
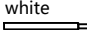
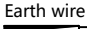
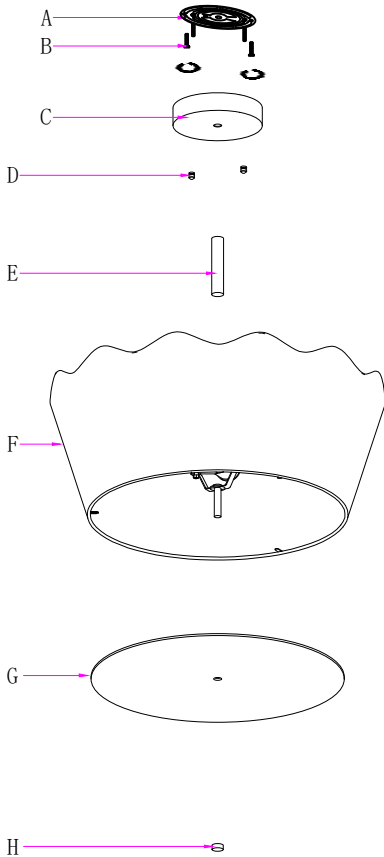


# Installation Instruction

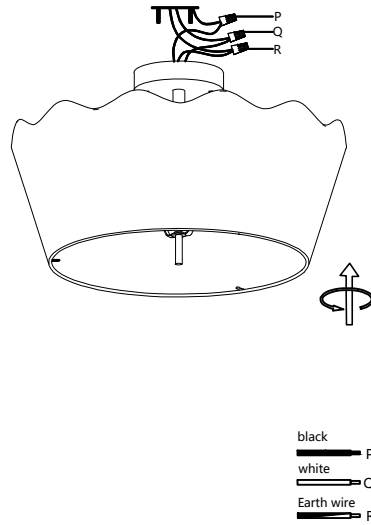
## Part List and Hardware List

PIECE	PICTURE	DESCRIPTION	QUANTITY	PIECE	PICTURE	DESCRIPTION	QUANTITY
A		Hanging Plate	1X	H		M10 nut	1X
B		Self-tapping Screw	2X				
C		Ceiling Plate	1X				
D		M4 Nut	2X				
E		hanging tube	1X				
F		Raffia lampshade	1X	O		Wire connector	3X
G		glass sheet	1X	P		black wire	1X
				Q		white wire	1X
				R		Earth wire	1X

### 1



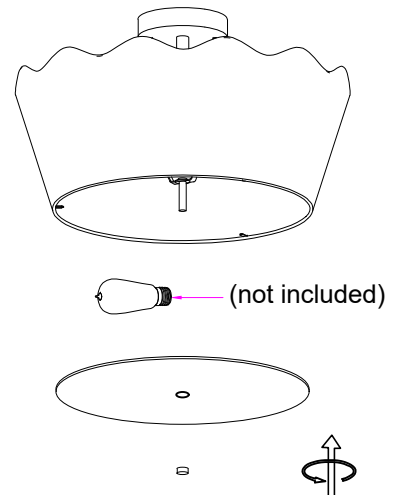
### 2



#### Step 2

1. Connect the wires and your home wires to the (O) wire connector (black to black, white to white, earth to earth).
2. Use the (D) M4 nuts to fix the light fixture on the ceiling.

### 3



#### Step 3:

- Finally, install the E26 light bulb and use (H) M10 nut to lock the (G) glass sheet to complete the installation.

#### Step 1:

1. Use (B) self-tapping screws to fix the (A) hanging plate on the ceiling.
2. Use the (E) hanging tube to connect the (F) Raffia lampshade and (C) ceiling plate.