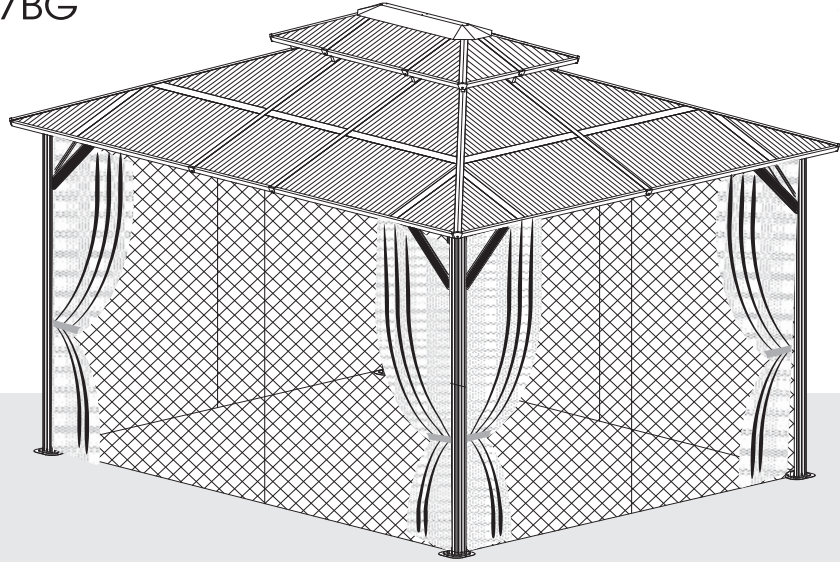





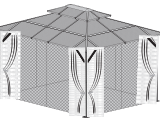
MANUAL INSTRUCTION

GAZEBO WITH SIDEWALL CURTAINS

XWG327BG



We offer a diverse range of products to meet the needs of customers.

part 1: Precautions and preparations	3-6
part 2: Material list (please check before installation)	7-13
part 3	14-27
	
part 4	28-37
	
part 5	38-52
	
part 6	53-57
	
part 7 Box Contents	58-59
part 8 Help Center	60

Outdoor Furniture

We are a professional furniture provider with top-notch factories and outstanding designs. Our mission is to provide consumers with new lifestyles. By collecting consumers' feedback, we constantly improve our products and create more choices for consumers.

If you want to create your space, we are an ideal choice.

Always.



WARNING

- 1. Two or more people are required for assembly.**
- 2. A ladder and electric drill may be necessary.**
- 3. Do not erect the structure in heavy winds or inclement weather.**
- 4. Do not leave up this unit for extended periods of time, as it is not a permanent structure or designed to withstand sustained wind or rain. It is a temporary, portable shelter that shields you from sunlight and rain. The screens also block flying insects.**
- 5. Do not use candles, matches, or any open flames near the tent.**
- 6. To better align the screws for practical situations, do not fully tighten screws initially.**
- 7. Professional installation is highly recommended.**

WARNING

- During windy weather, please avoid standing inside the gazebo.
- Avoid standing under the gazebo during heavy snowfall.
- For safety, please use expansion screws to reinforce the posts around the gazebo.
- During windy weather, tighten the fence and netting to prevent tearing in high winds.
- In extreme weather conditions, you can use a rope to pull the four corners of the gazebo to keep it stable.
- Please clear the snow off the roof in time for heavy snowfall.
- Make sure all screws are tightened before use.
- Periodically check and confirm the tightness of all screws, buckles, and straps every 90 days.
- Please keep all screws loose during the assembly process and tighten them after completing the installation.
- Do not use or store near an open flame or flammable chemicals.
- Please note that some parts have sharp edges and should be handled with gloves.
- If any parts are missing, broken, damaged, or worn, discontinue use of the product until repairs are made or factory replacement parts are installed.
- Installation of the product in a manner that does not conform to the manufacturer's instructions may result in the loss of the warranty policy for this product.
- Consult your local authorities to determine if permits are required for erecting the shed.

TOOLS REQUIRED

EQUIPMENT REQUIRED(Not included in boxes)

**NOTE:Tools / equipment are not shown to actual size and scale.*



LEVEL



RUBBER MALLET



PHILLIPS SCREW



DRILL



ALLEN KEY

EQUIPMENT REQUIRED(Not included in boxes)

**NOTE:Equipment are not shown to actual size and scale.*



SAFETY HAT



GLOVES



SAFETY GOGGLES



STEPLADDER
(6.5Ft Or More)

Matters needing attention



*Three or more people
are required for
assembly*







*Do not fully tighten
screws prior to complete
assembly*

Part 2: Material list





(please check before installation)

Parts list

<input checked="" type="checkbox"/>	
<input checked="" type="checkbox"/>	
<input type="checkbox"/>	
<input type="checkbox"/>	

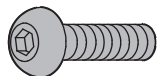
P8

Hardware list

<input checked="" type="checkbox"/>	
<input checked="" type="checkbox"/>	
<input type="checkbox"/>	
<input type="checkbox"/>	

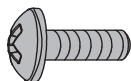
P10-1

PARTS



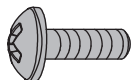
M6x15mm

1# x 122 (+10)



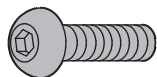
M4x10mm

2# x 16 (+2)



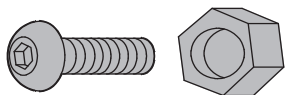
M5x12mm

3# x 4 (+2)



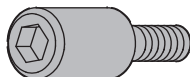
M6x25mm

4# x 12 (+2)



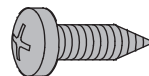
M6x55mm

5# x 10 (+2)



M6x10mm(D10x20)

6# x 32 (+3)



ST4.8x12mm

7# x 24 (+4)



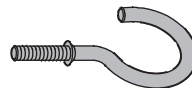
M6x60mm

8# x 12

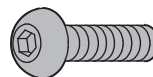


Ø5x170

9# x 12

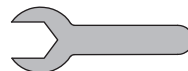


10# x 3



M6x10mm

11# x 8 (+2)



12# x 1



13# x 1

HARDWARE



A x 4



E x 4



B x 2



E1 x 4



B1 x 2



E2 x 6



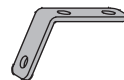
C x 2



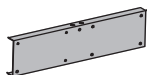
E3 x 6



C1 x 2



D3 x 4

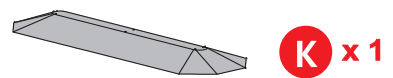


D x 4

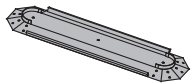


D4 x 6

HARDWARE



HARDWARE



K1 x 1



M2 x 12



K2 x 1



R1 x 2



F x 4



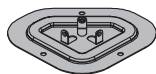
R2 x 2



F1 x 4



Q x 80 (+6)



L x 4



W x 4

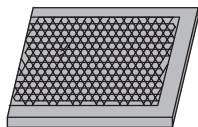


M x 18

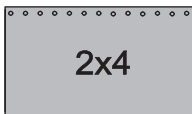


W1 x 4

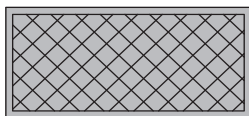
HARDWARE



NET x 4

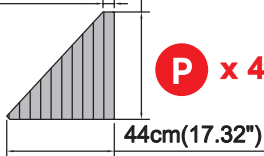


Curtain x 4



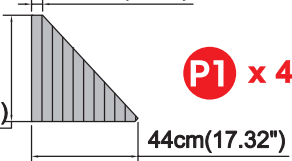
ZS x 1

5.4cm (2.13") 42.6cm(16.77")



P x 4

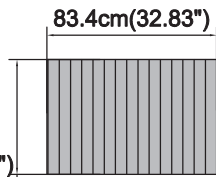
5.4cm(2.13")



P1 x 4

42.6cm(16.77")

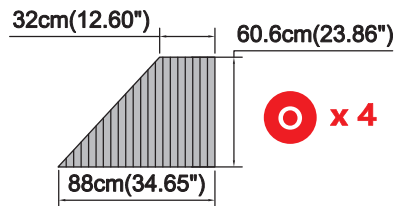
44cm(17.32")



P2 x 2

43.6cm(17.17")

83.4cm(32.83")

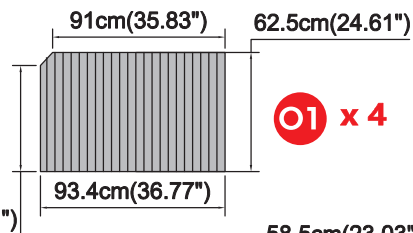


O x 4

32cm(12.60")

60.6cm(23.86")

88cm(34.65")



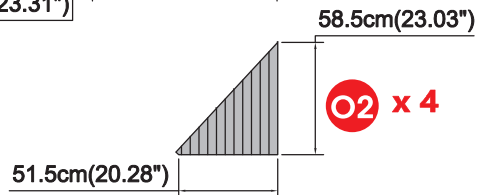
O1 x 4

59.2cm(23.31")

91cm(35.83")

62.5cm(24.61")

93.4cm(36.77")



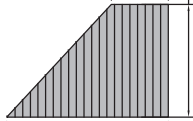
O2 x 4

58.5cm(23.03")

51.5cm(20.28")

HARDWARE

32cm(12.60") 60.6cm(23.86")

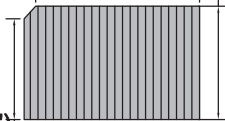


O3 x 4

88cm(34.65")

91cm(35.83")

62.5cm(24.61")

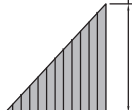


O4 x 4

59.2cm(23.31")

93.4cm(36.77")

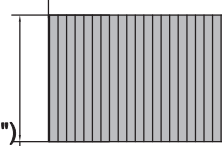
58.5cm(23.03")



O5 x 4

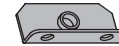
51.5cm(20.28")

83.5cm(32.87")



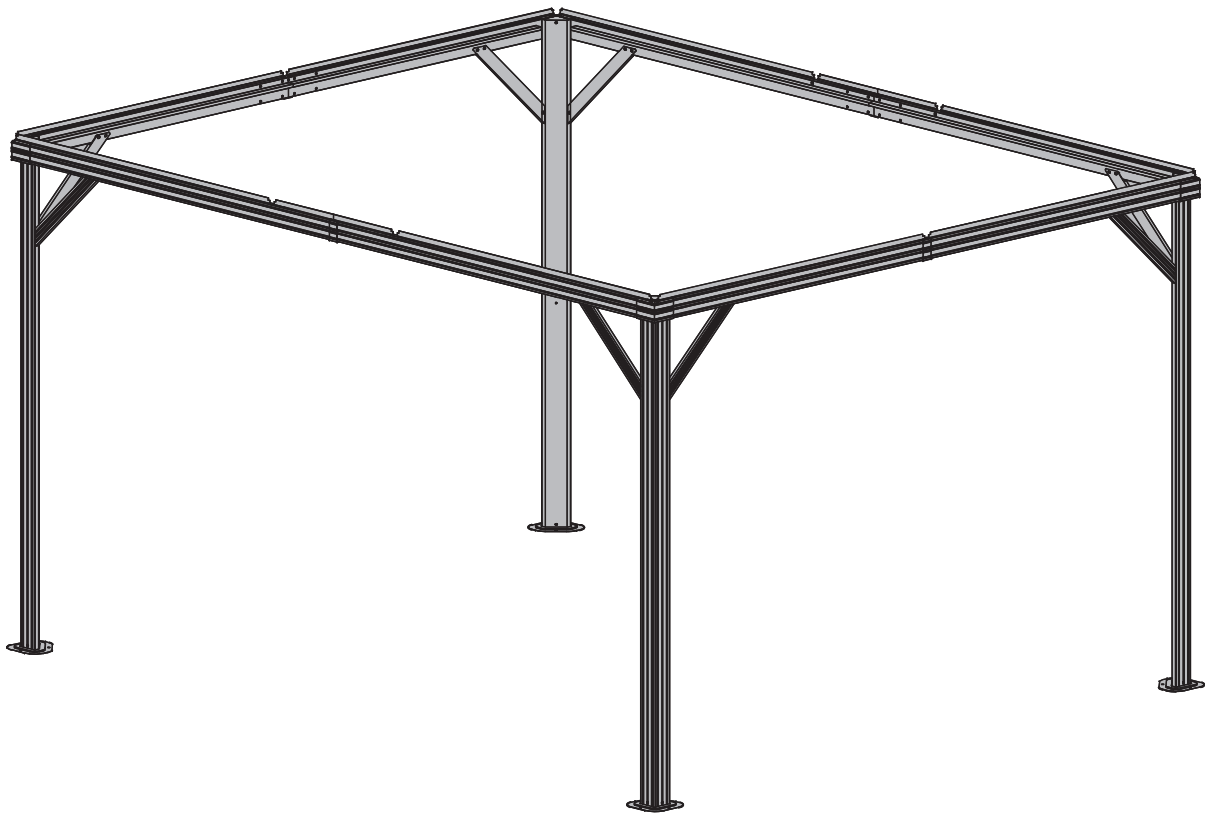
O6 x 4

62cm(24.41")

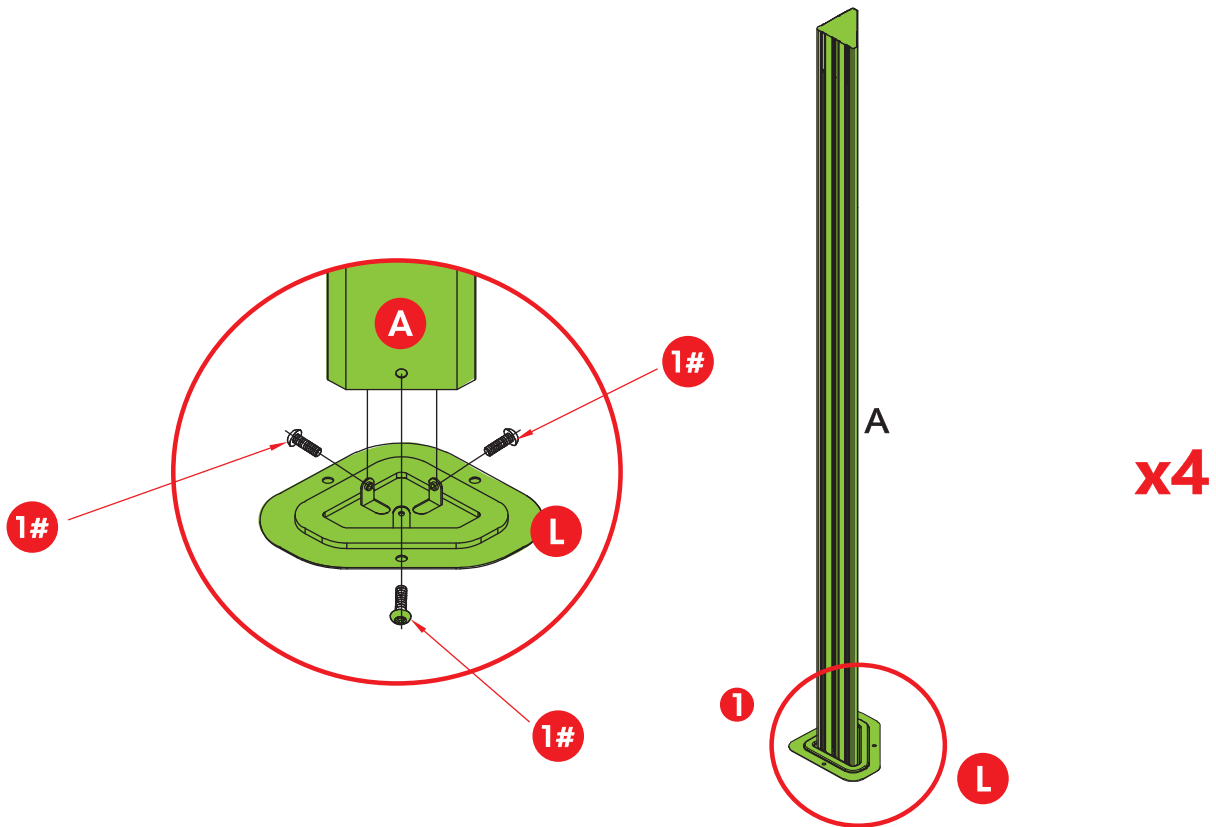
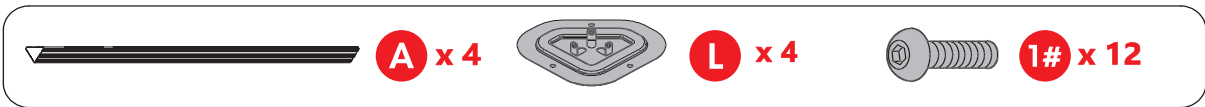


M6 x 8

Part 3



1



2



B x 2



C x 2



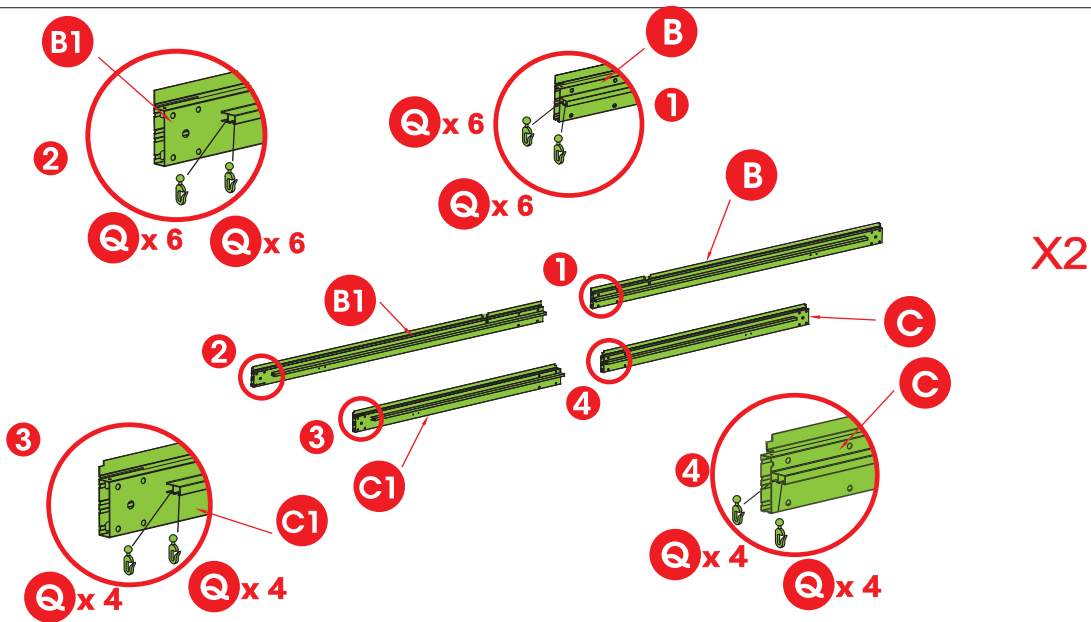
B1 x 2



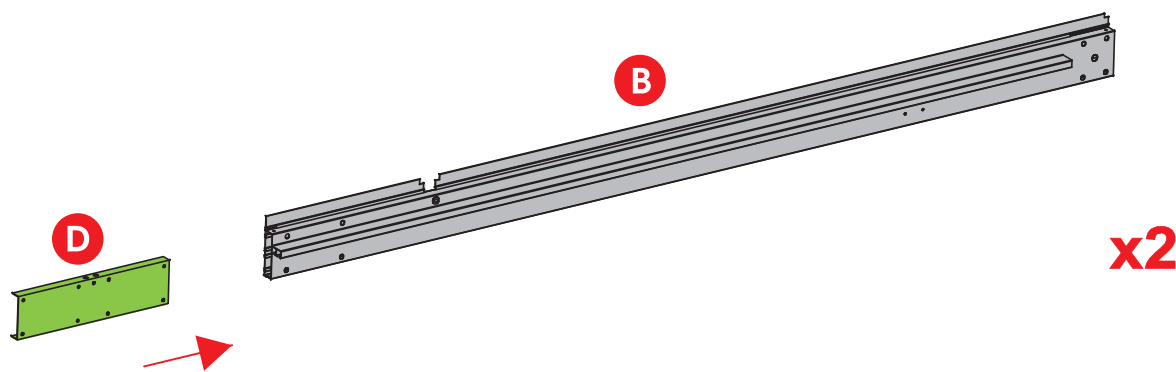
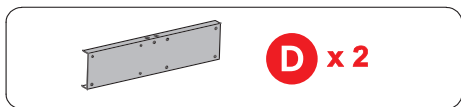
C1 x 2



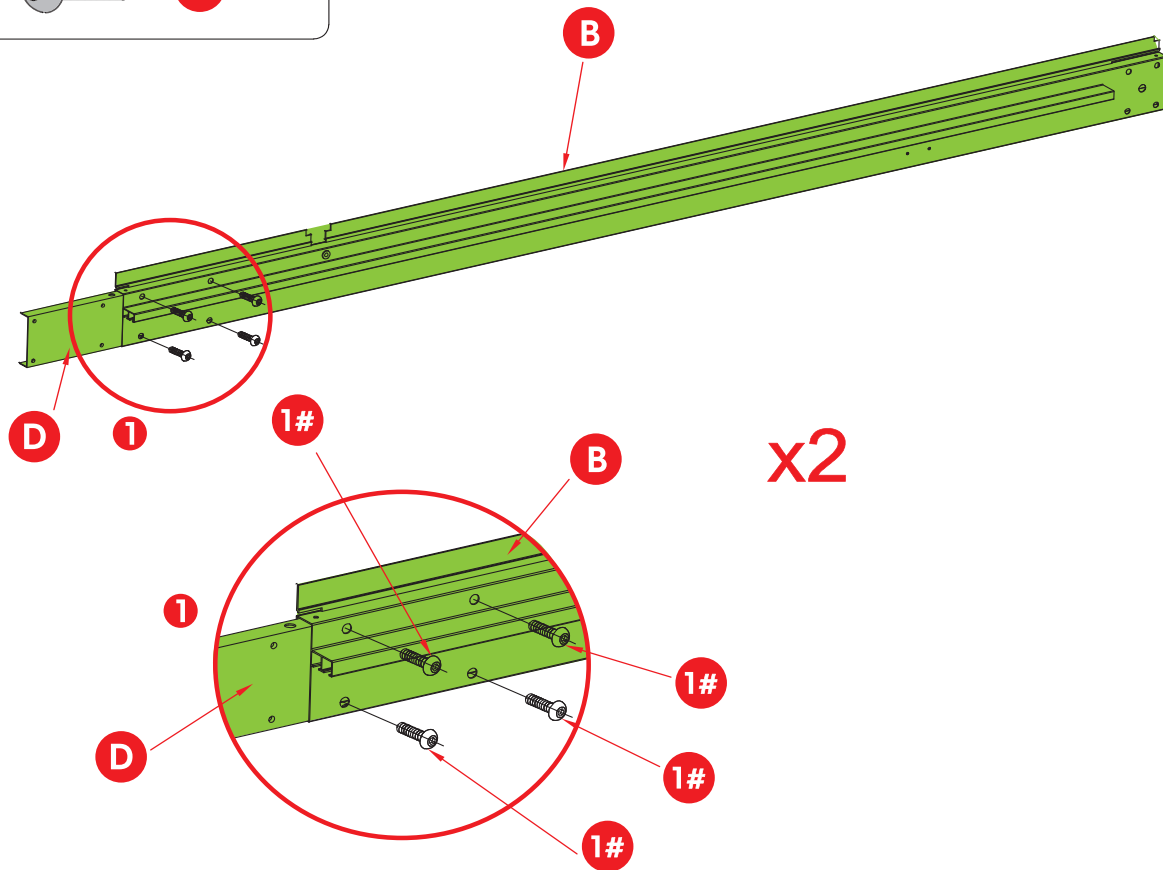
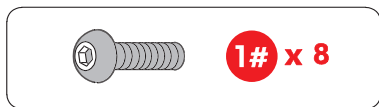
Q x 80



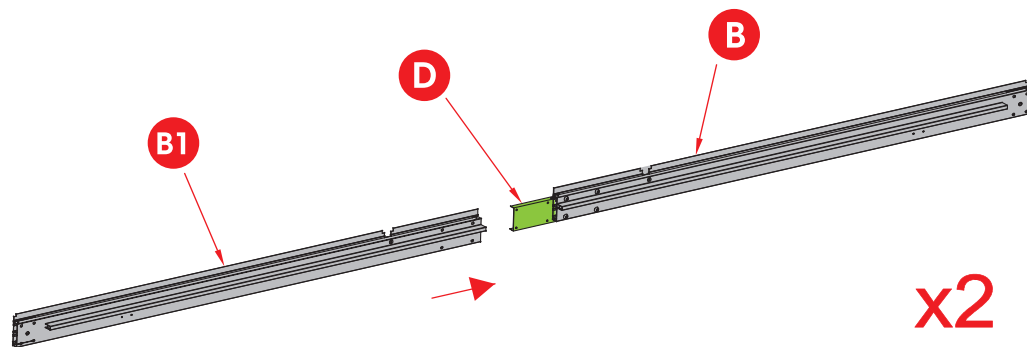
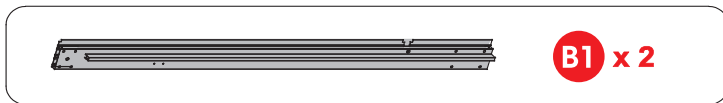
3



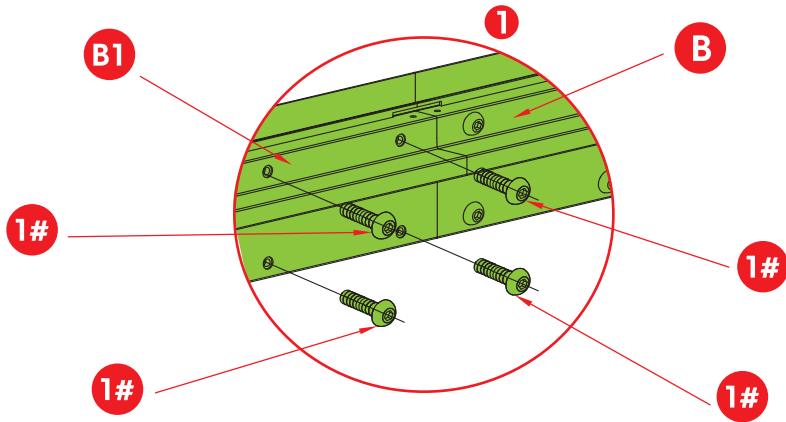
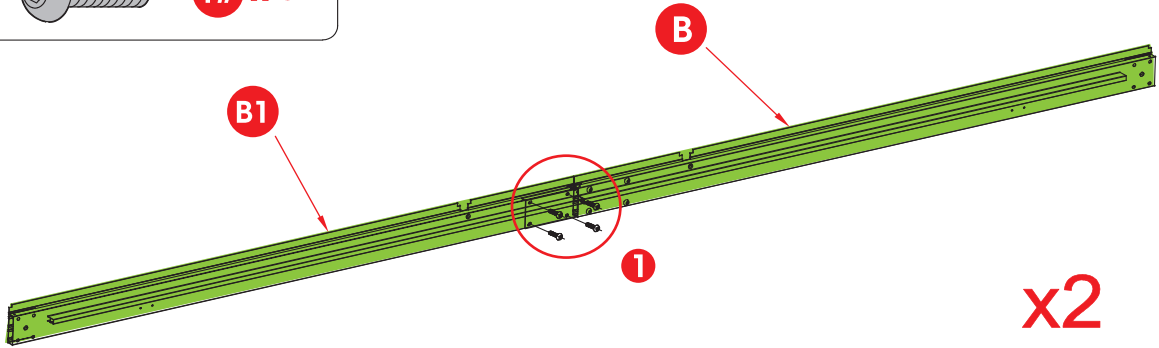
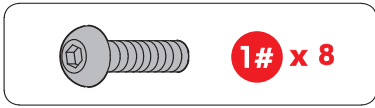
4



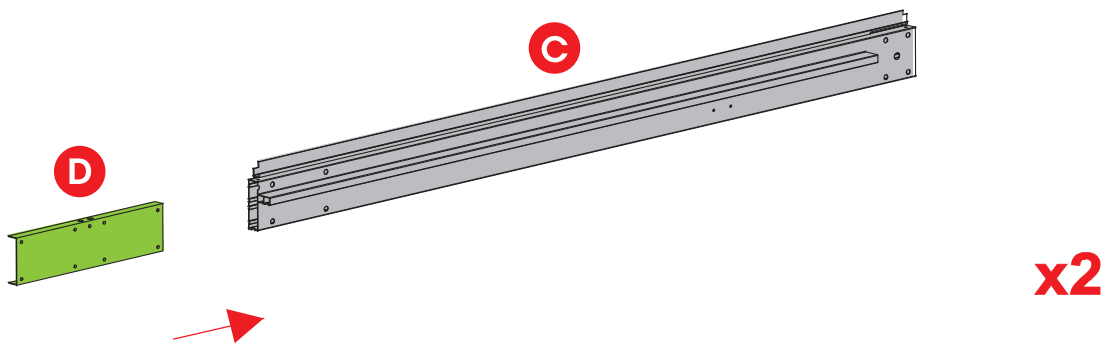
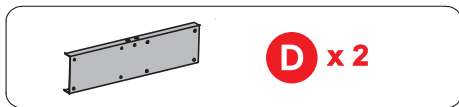
5



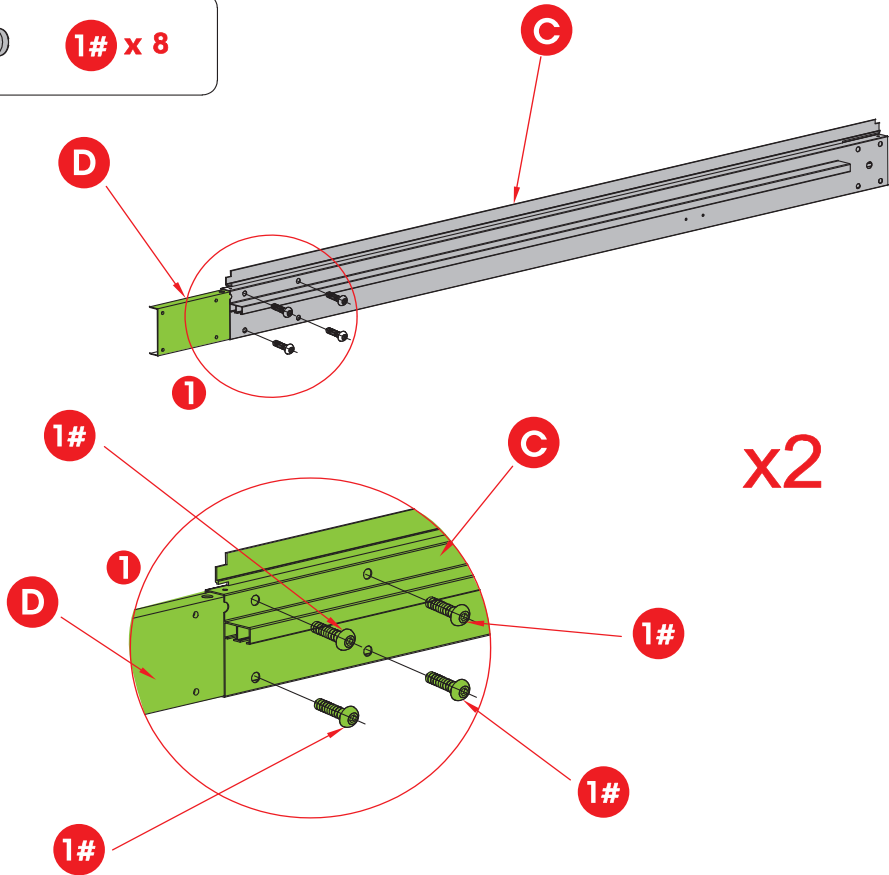
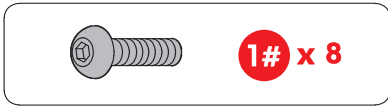
6



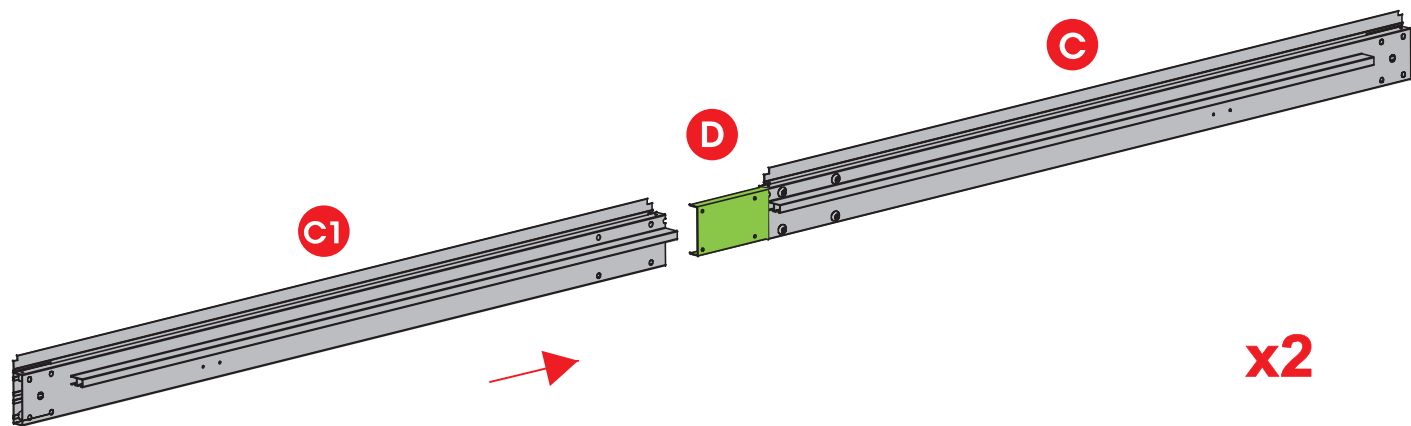
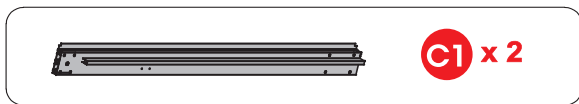
7



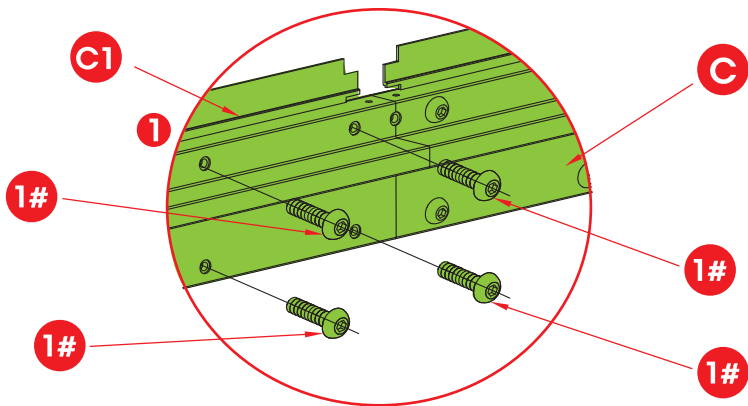
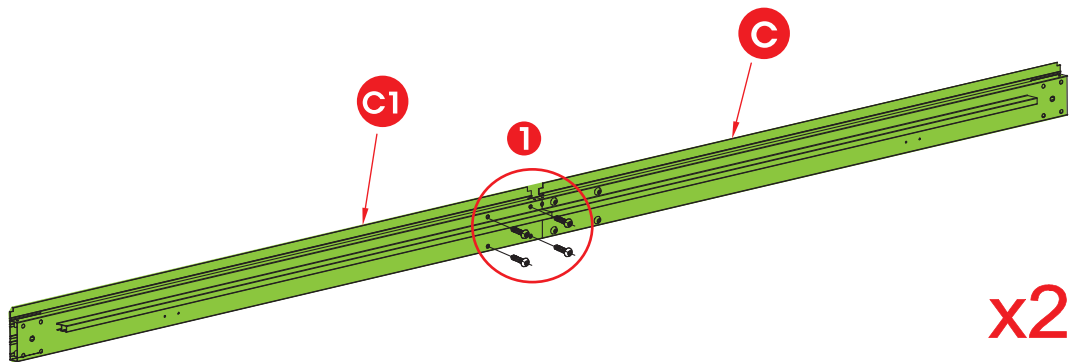
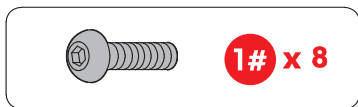
8



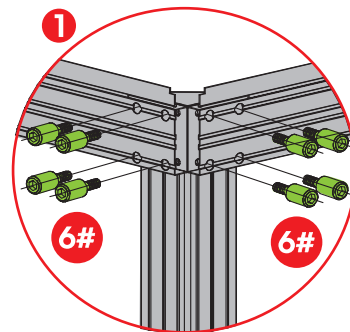
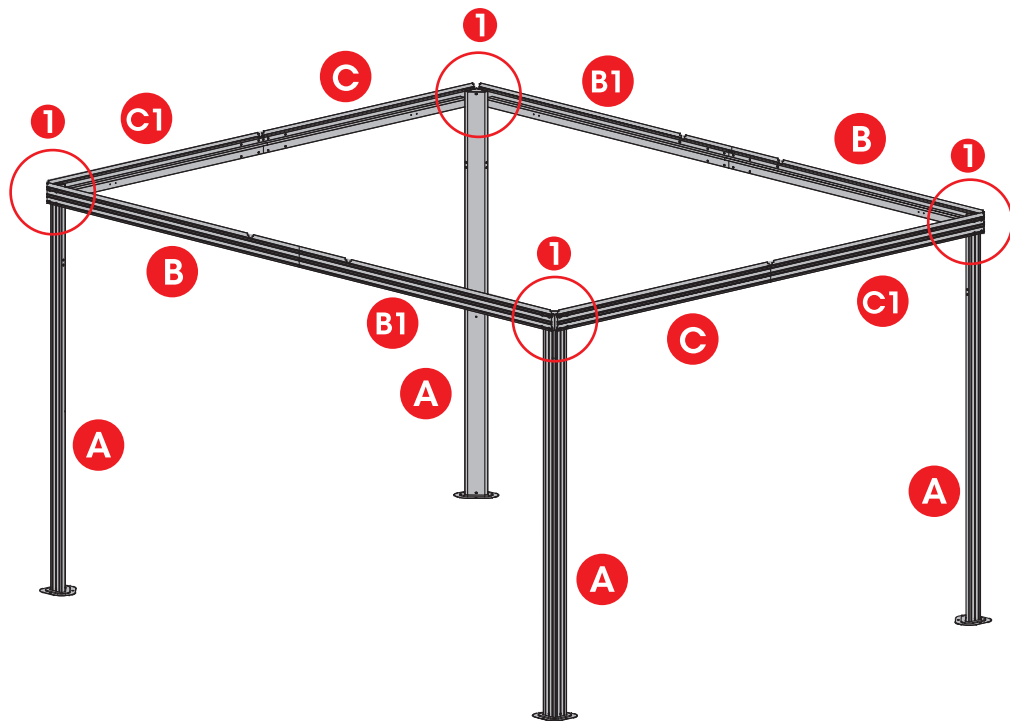
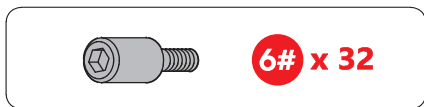
9



10



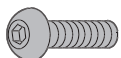
11



12



F x 4



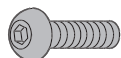
11# x 8



2# x 16



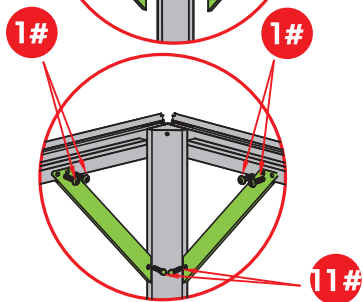
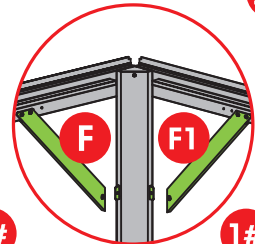
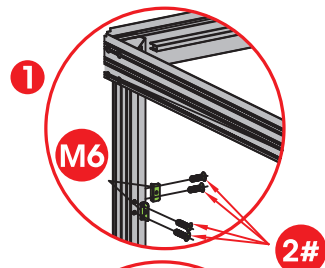
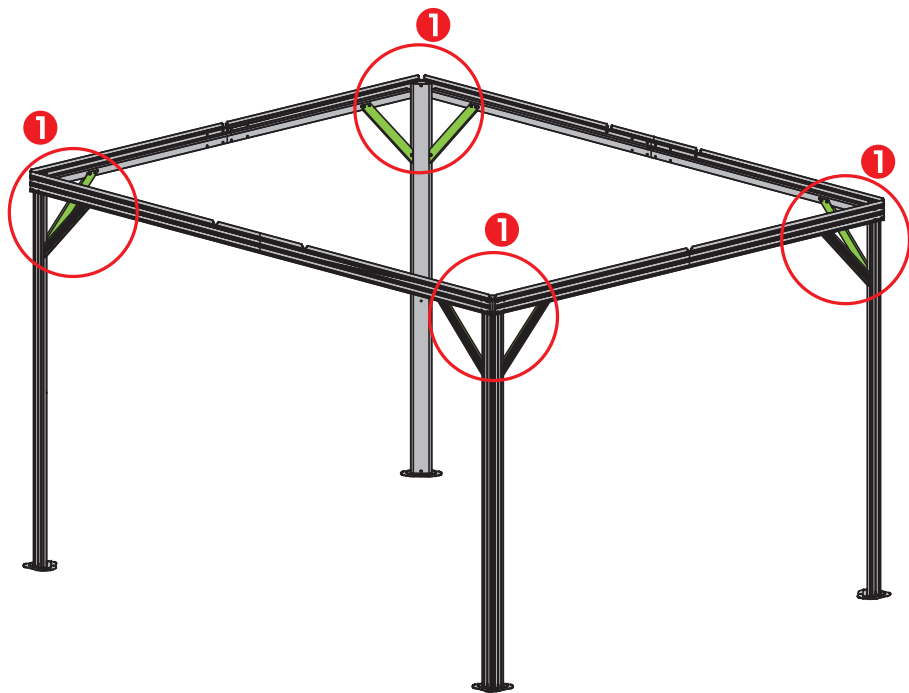
F1 x 4



1# x 16



M6 x 8



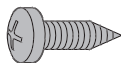
13



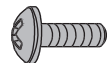
W x 4



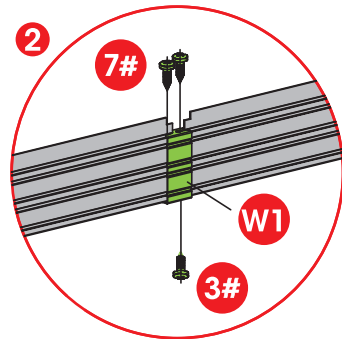
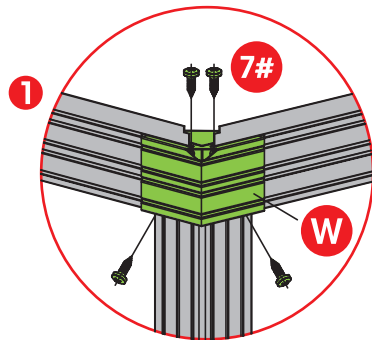
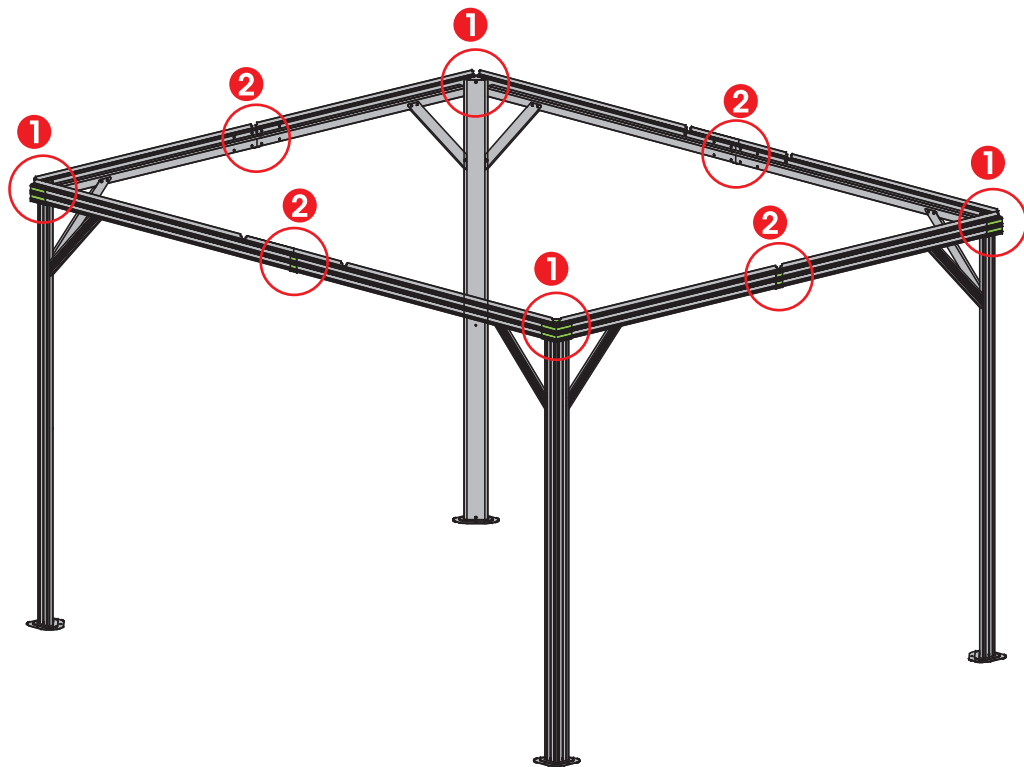
W1 x 4



7# x 24



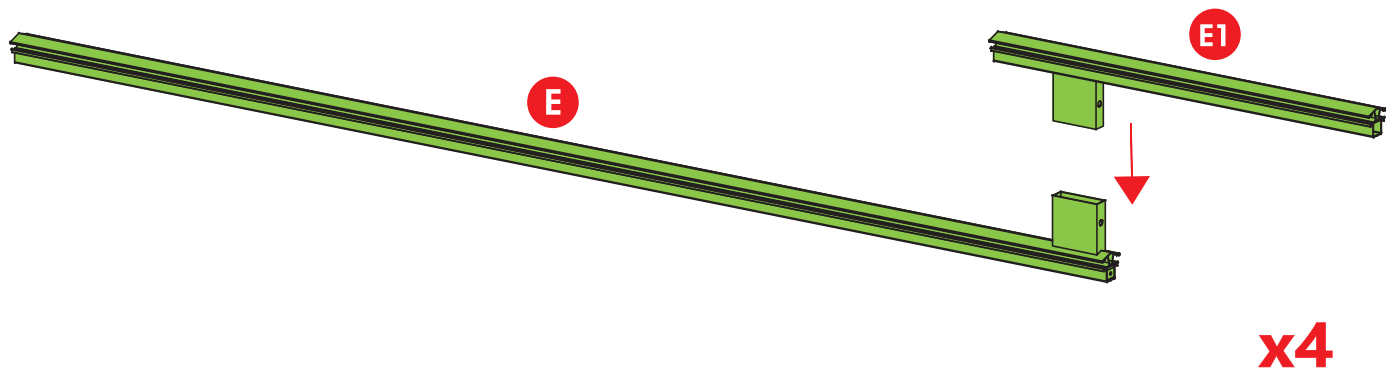
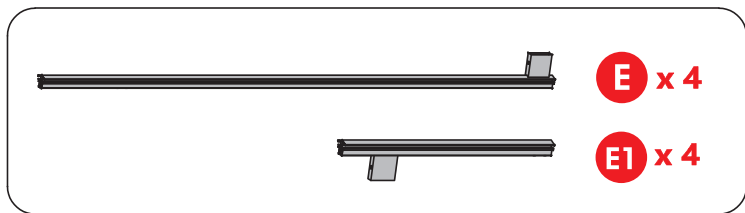
3# x 4



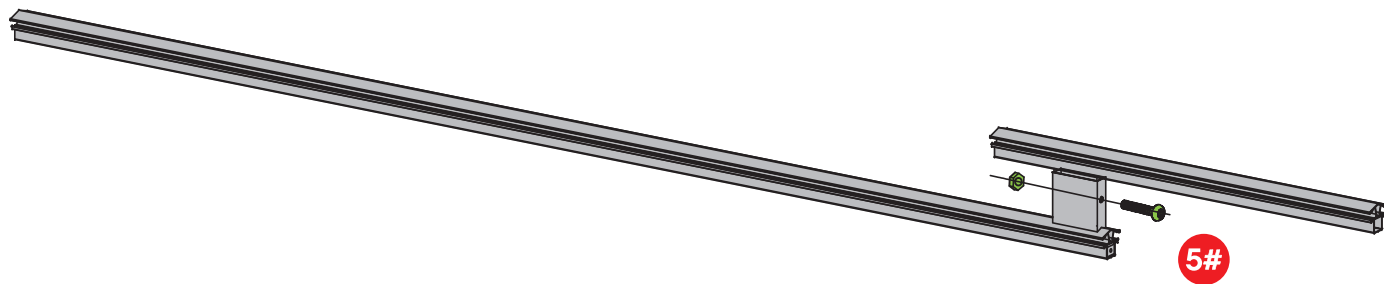
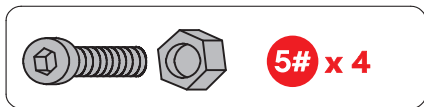
Part 4



14

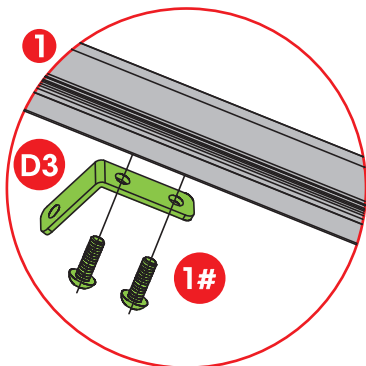
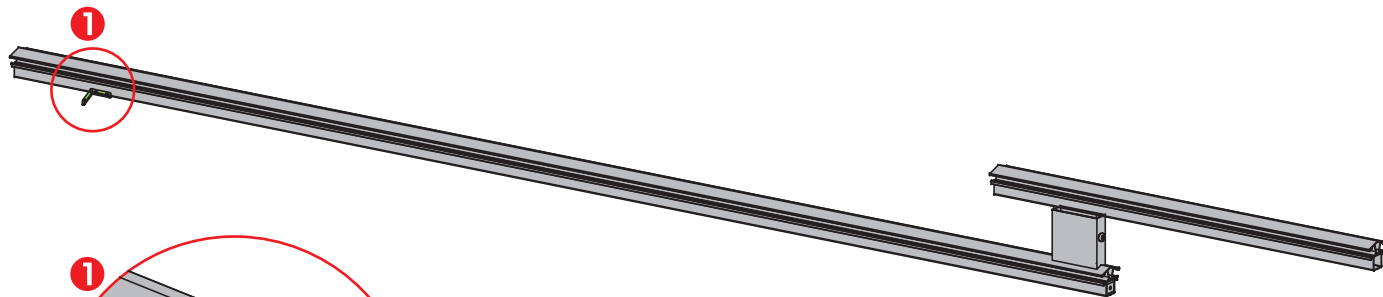


15



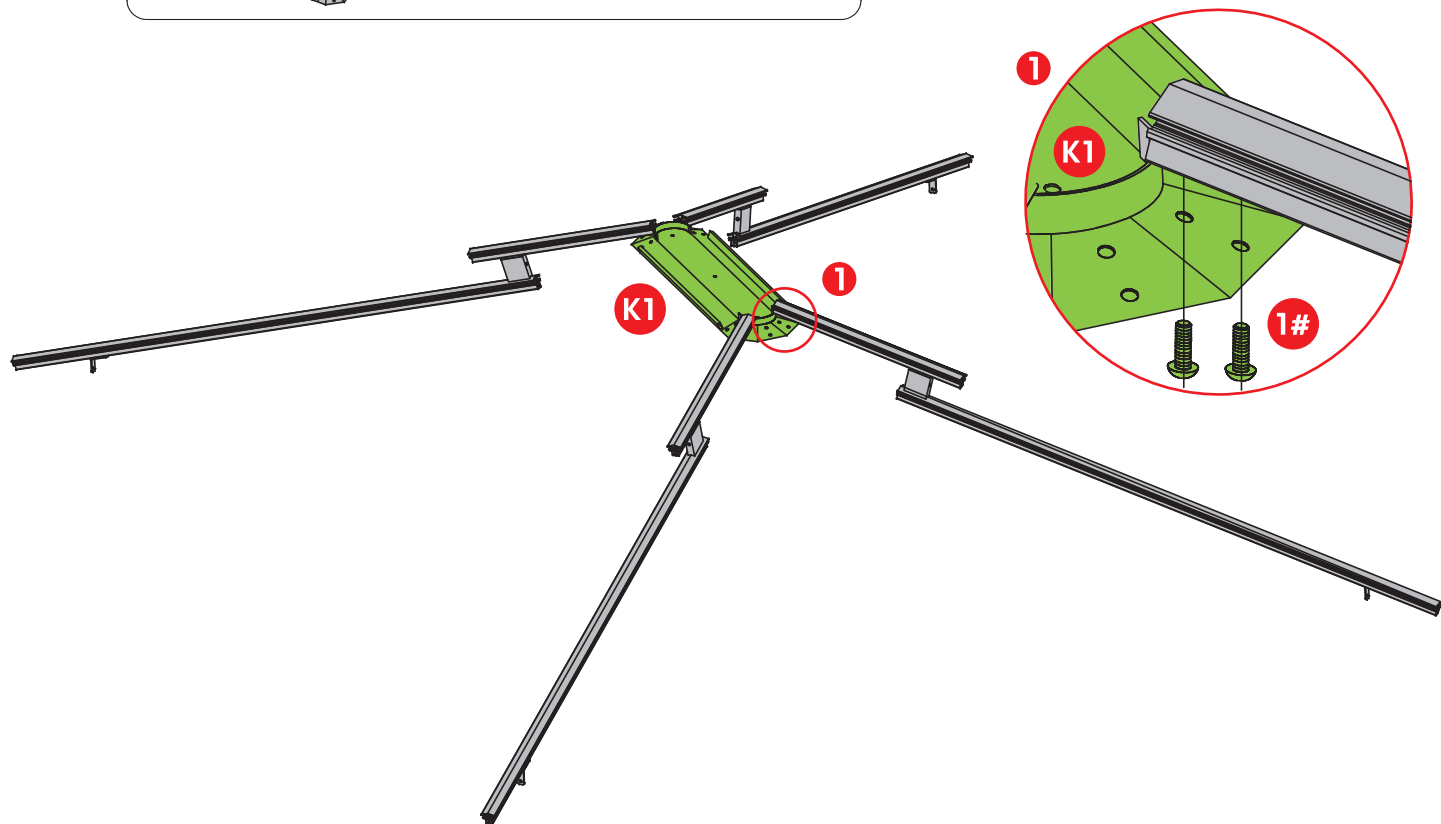
x4

16

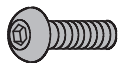


x4

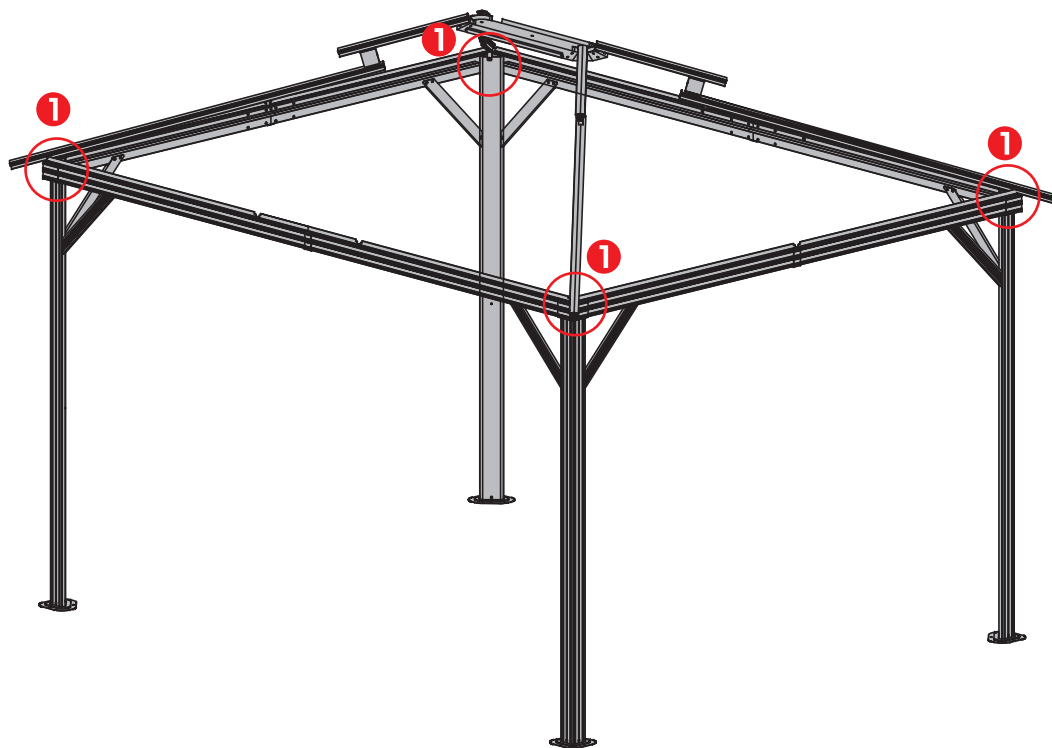
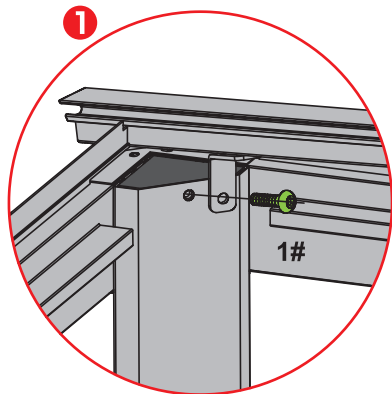
17



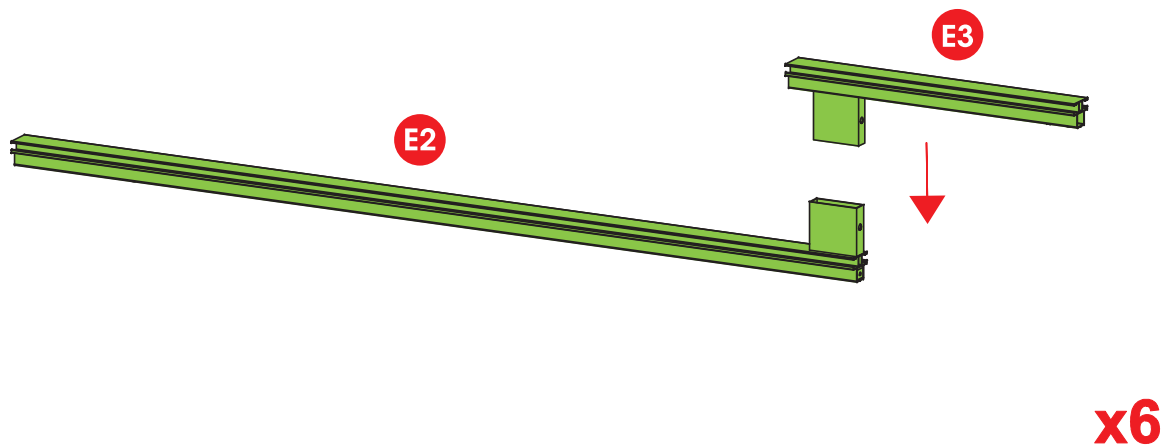
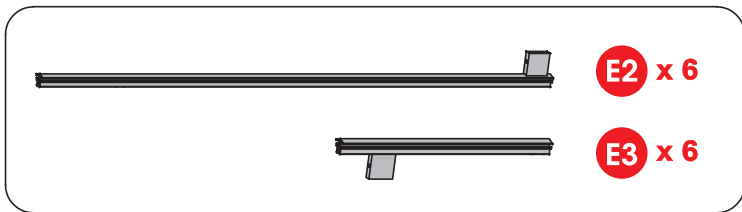
18



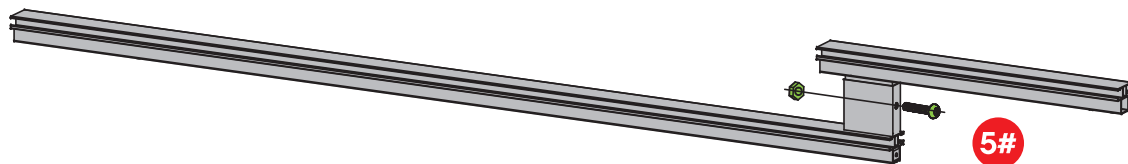
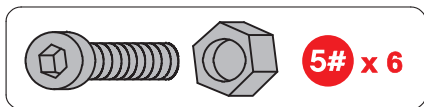
1# x 4



19

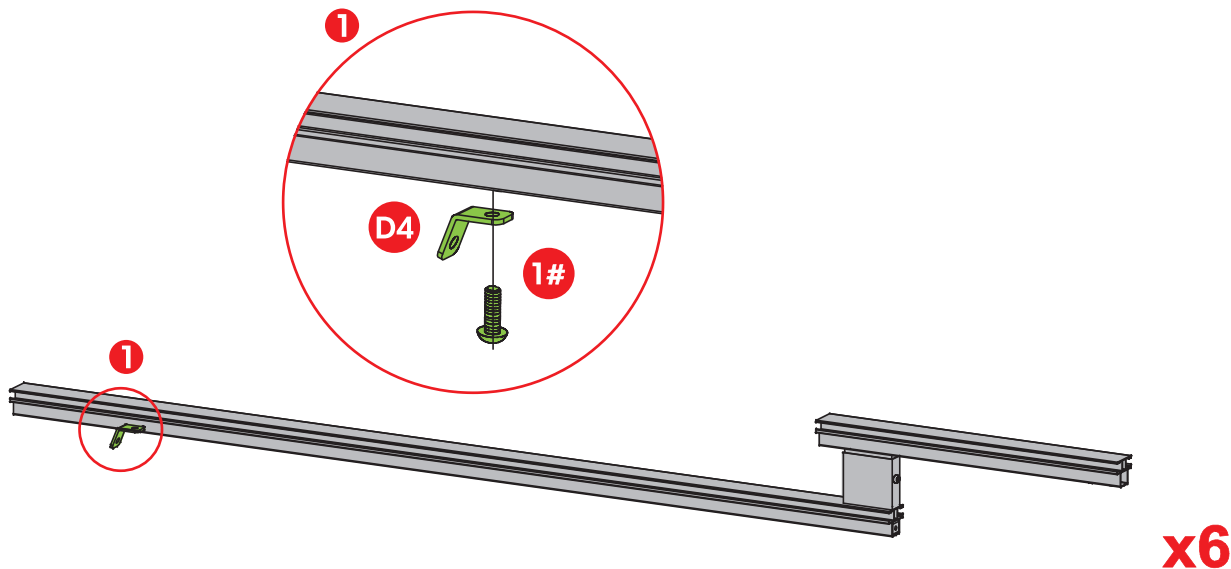
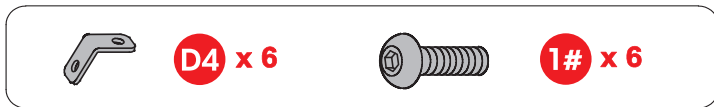


20

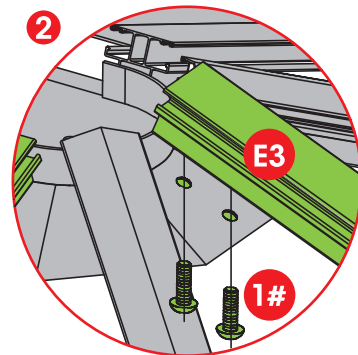
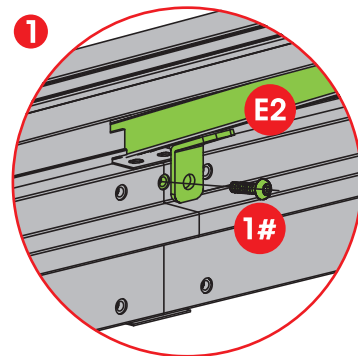
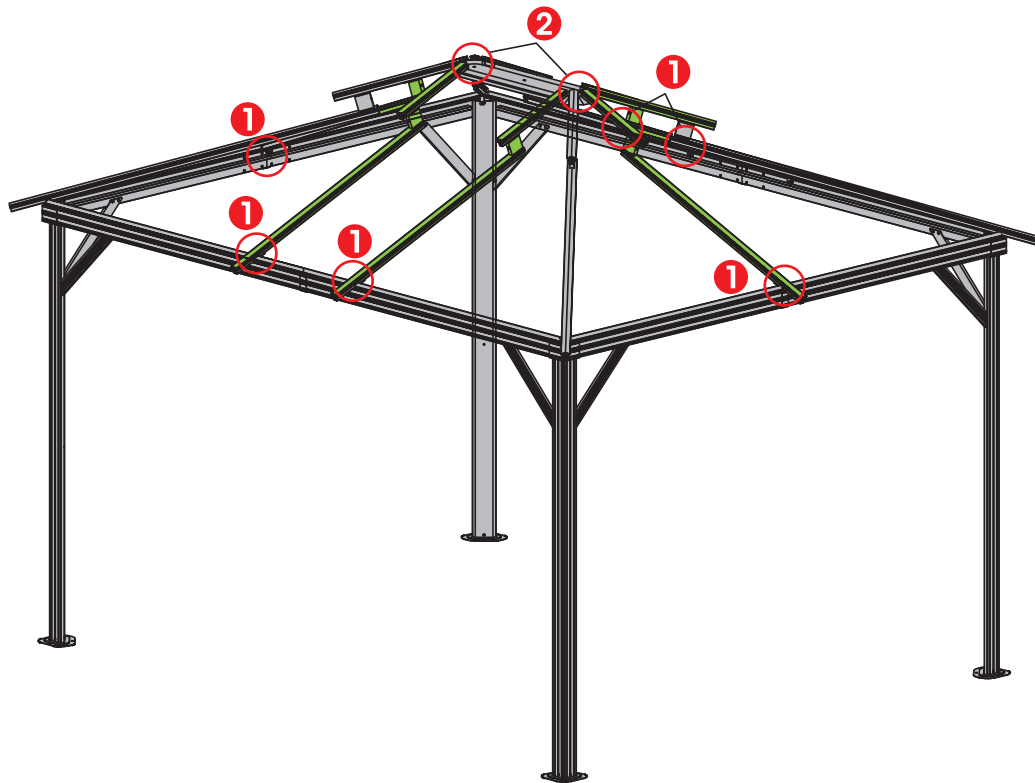


x6

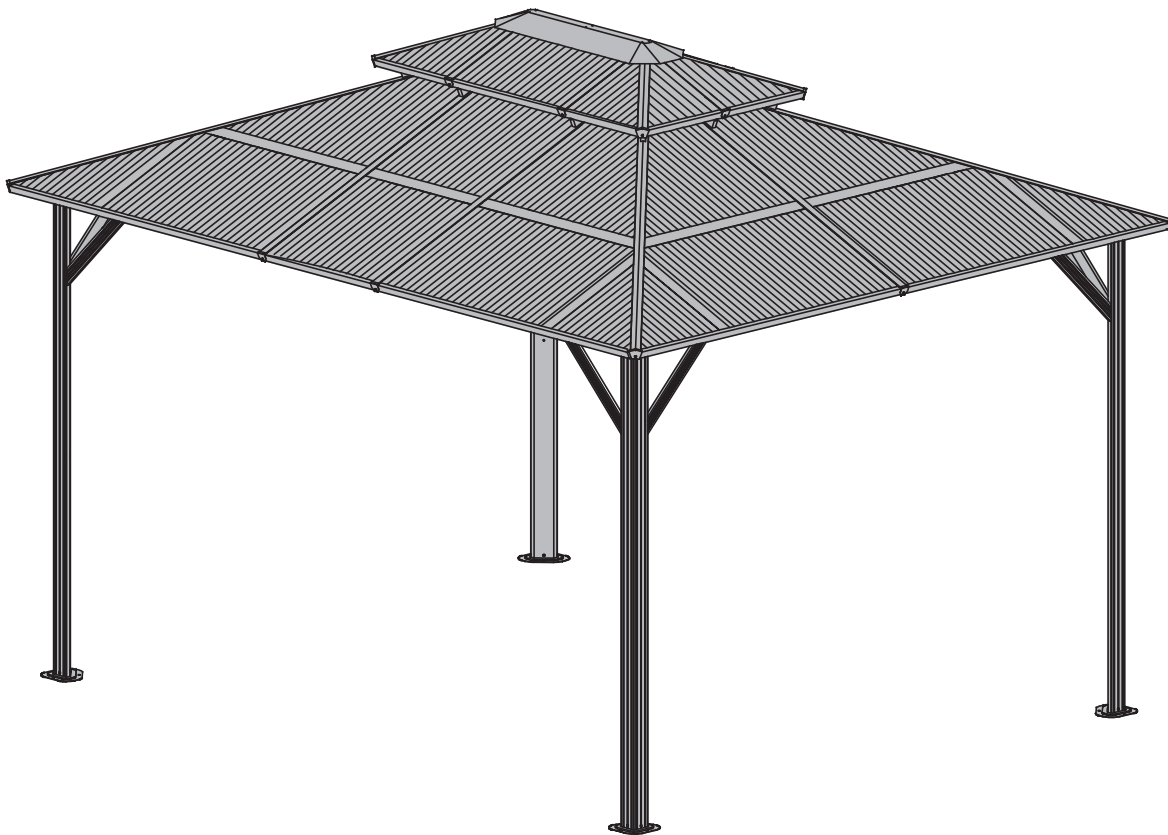
21



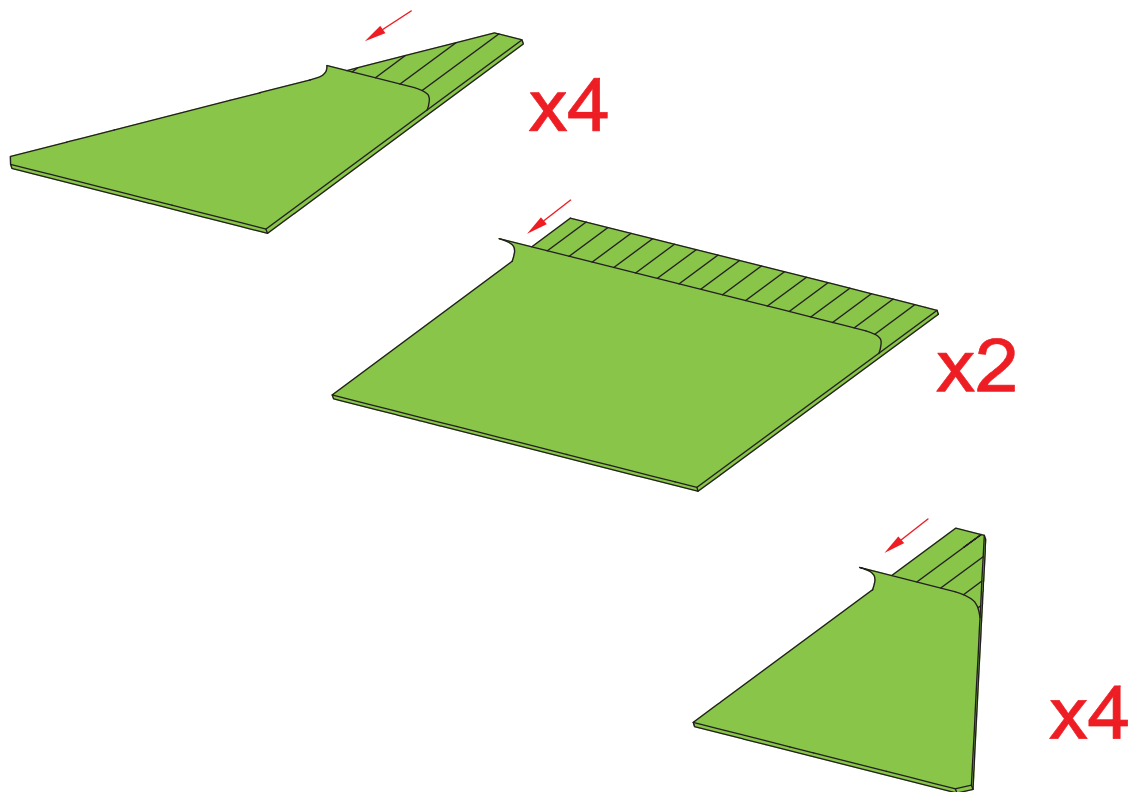
22



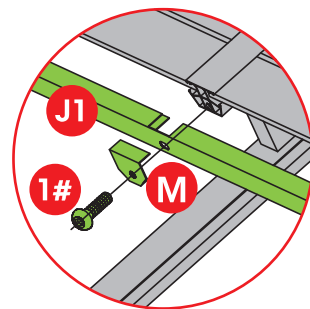
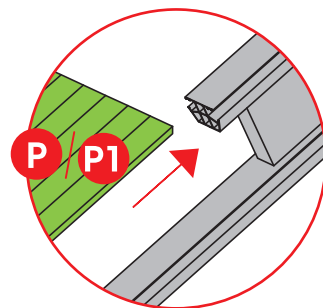
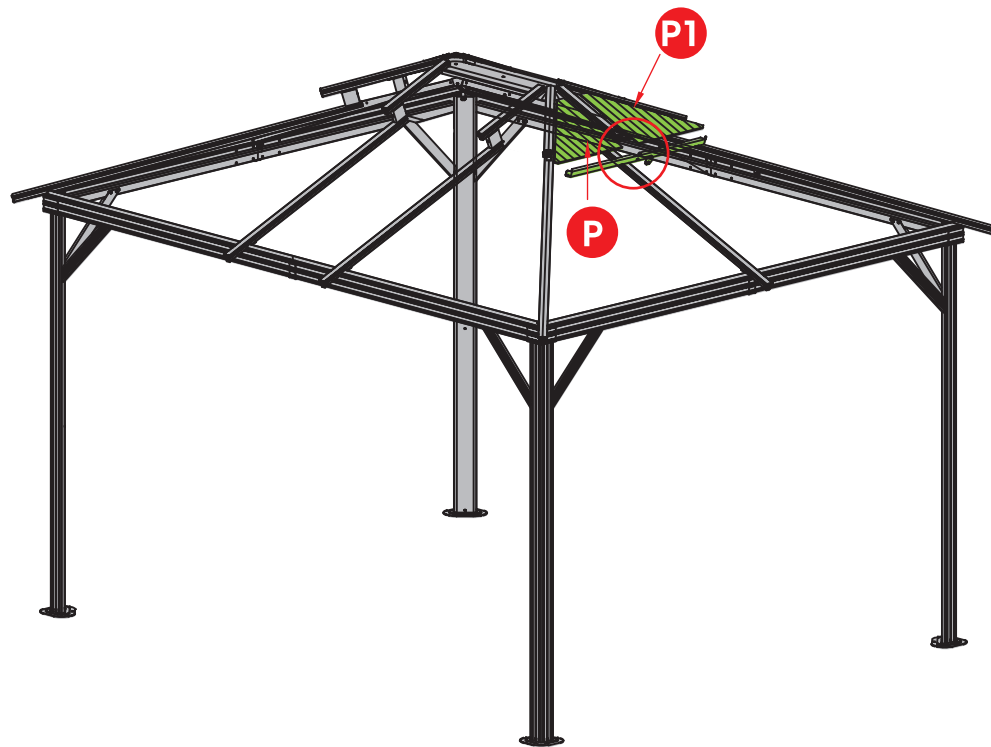
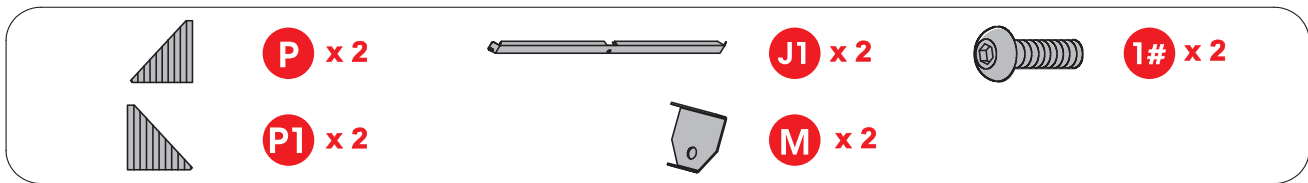
Part 5



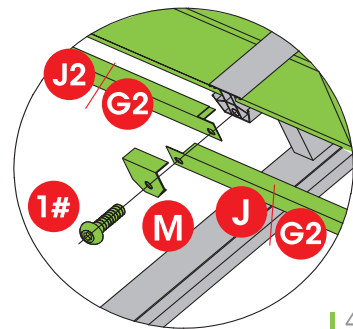
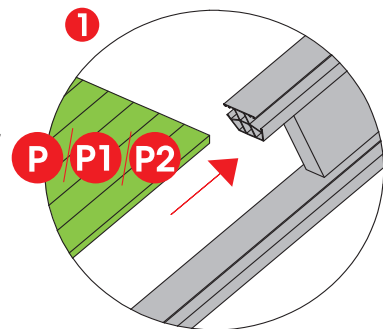
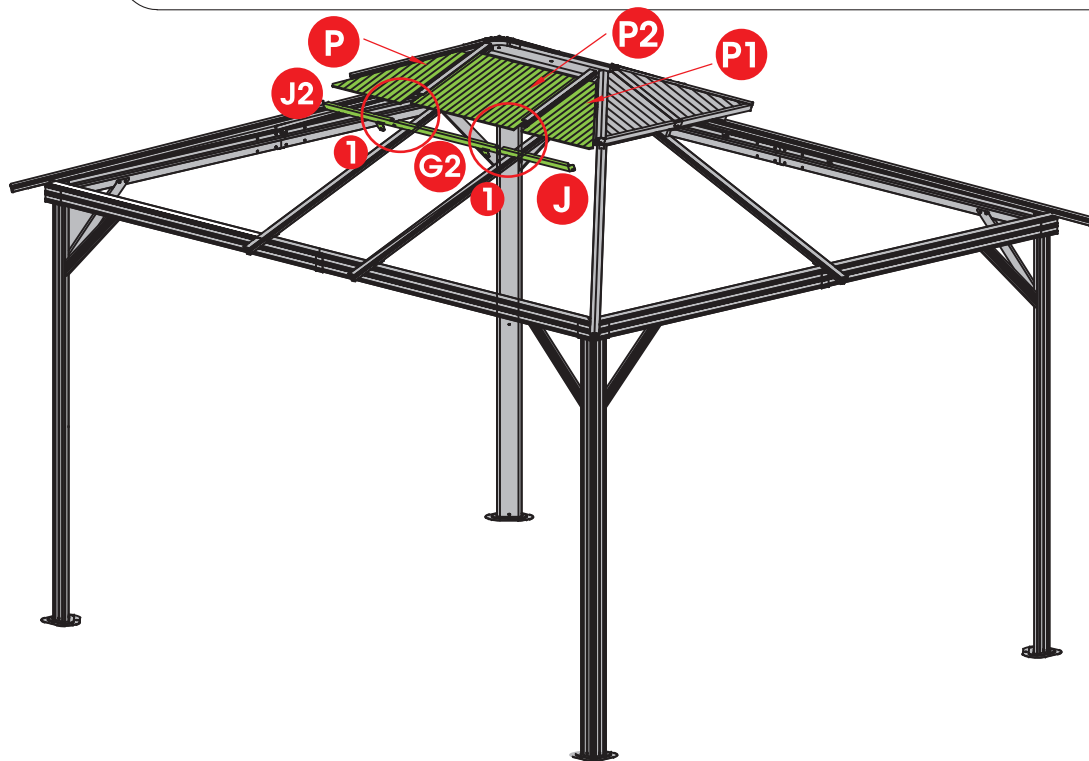
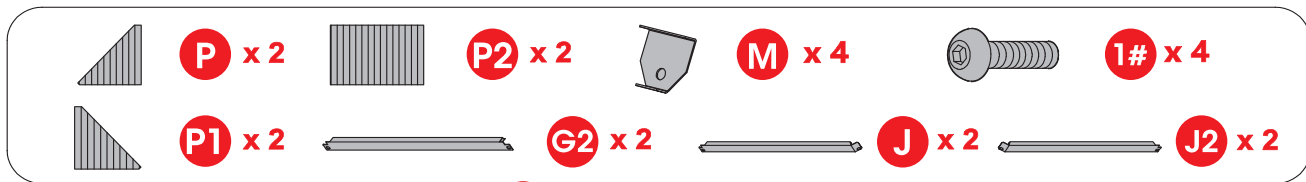
23



24



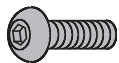
25



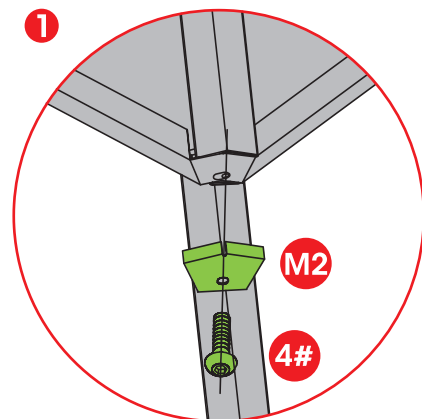
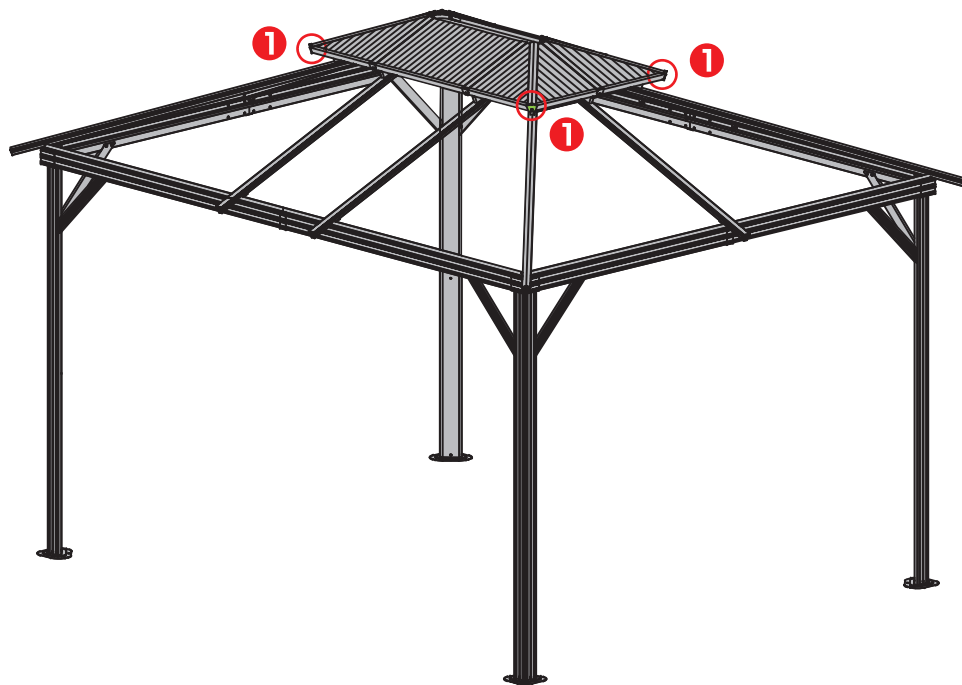
26



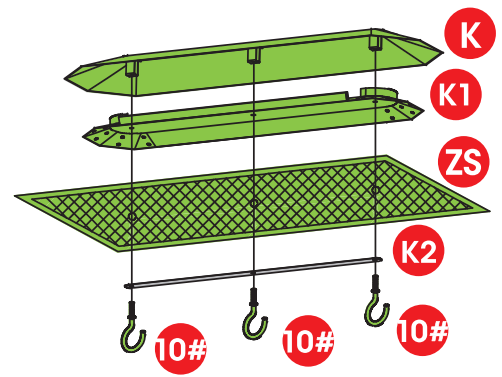
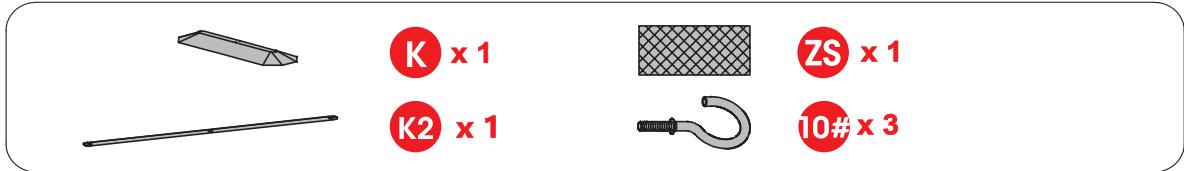
M2 x 4



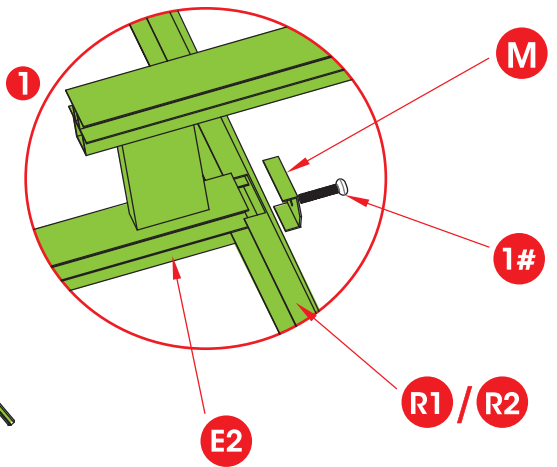
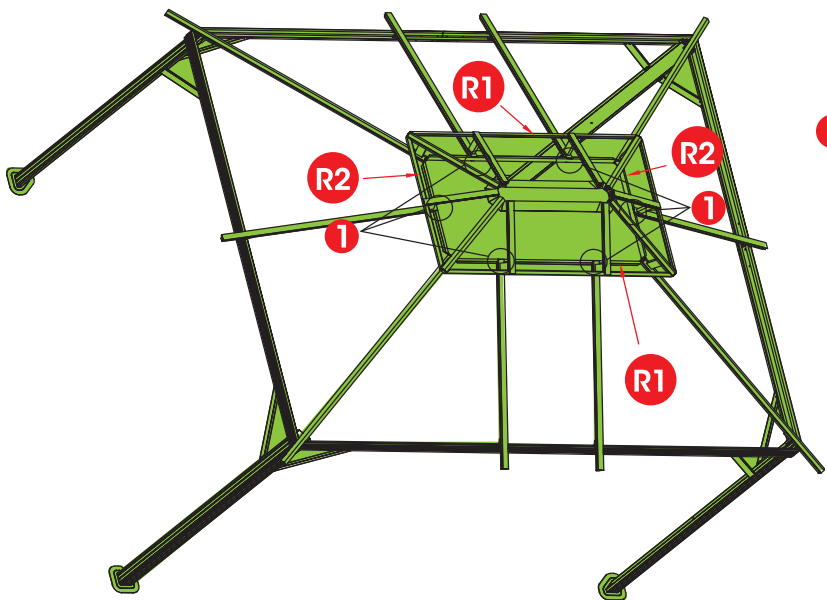
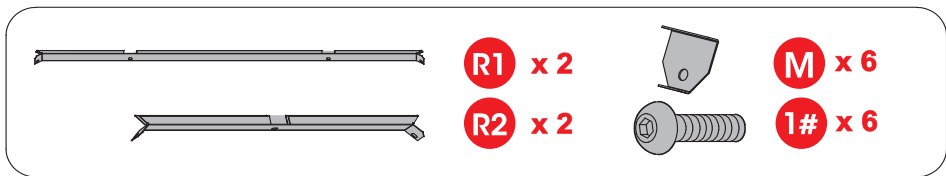
4# x 4



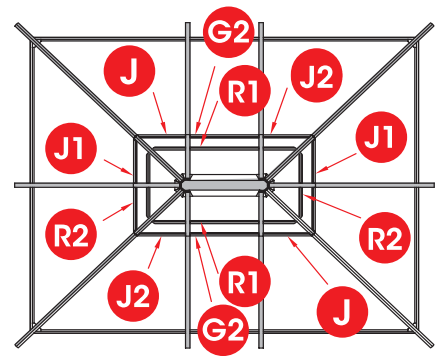
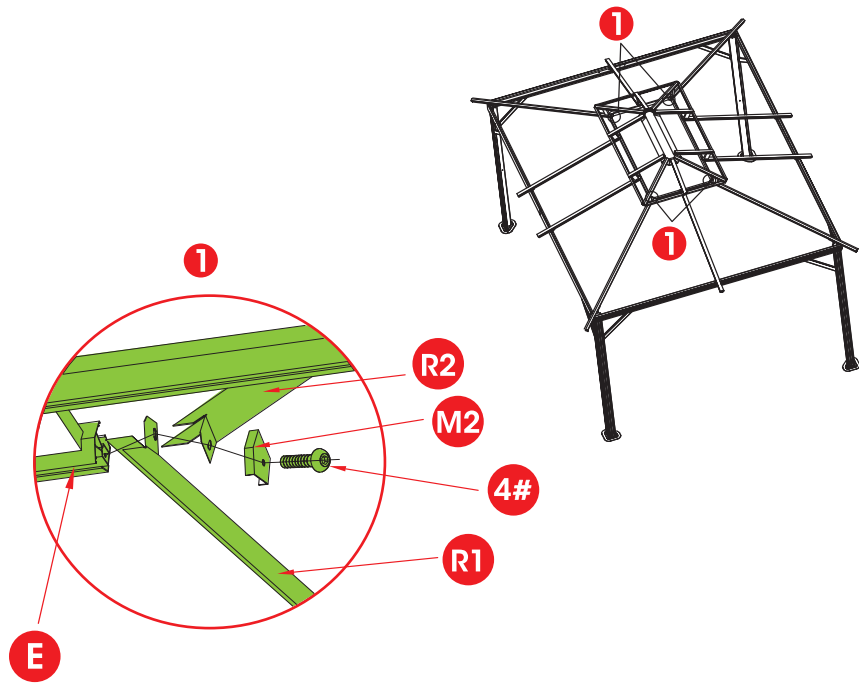
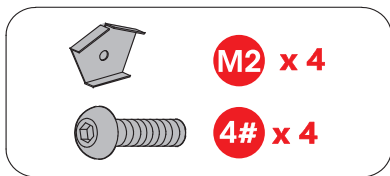
27

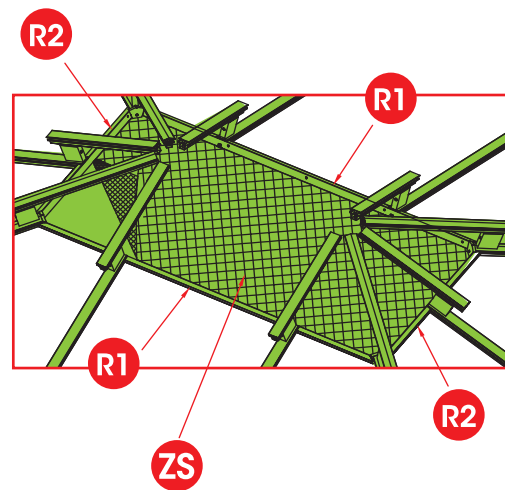


28

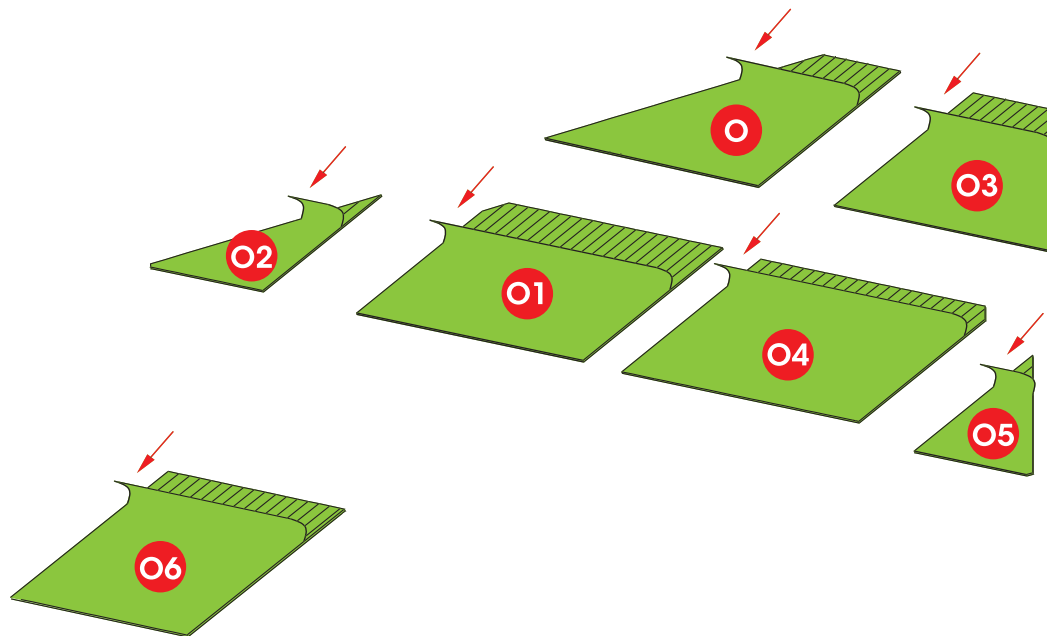


29

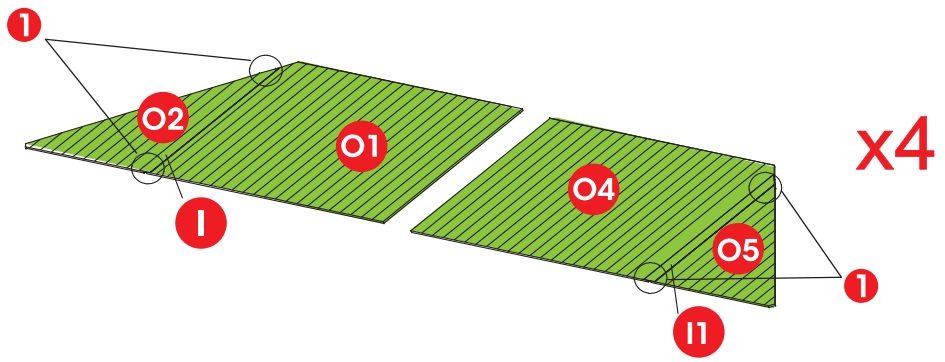
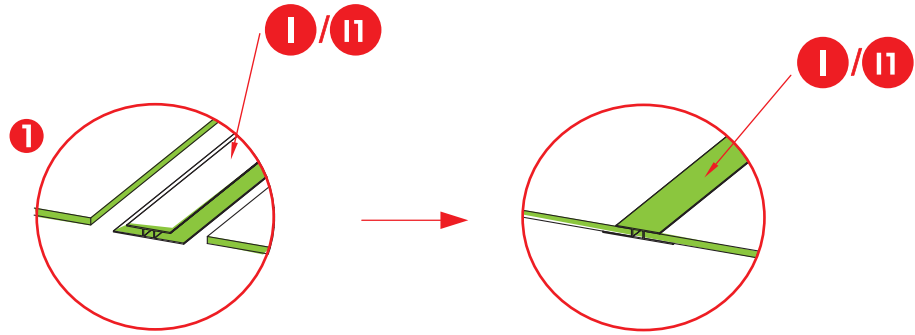
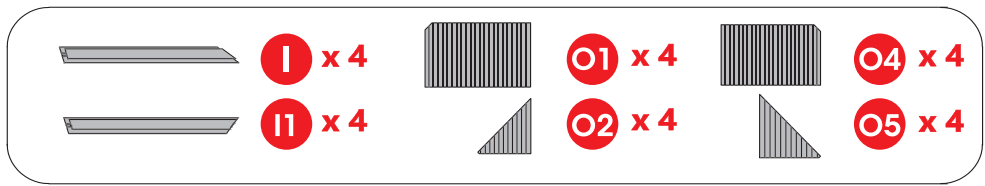




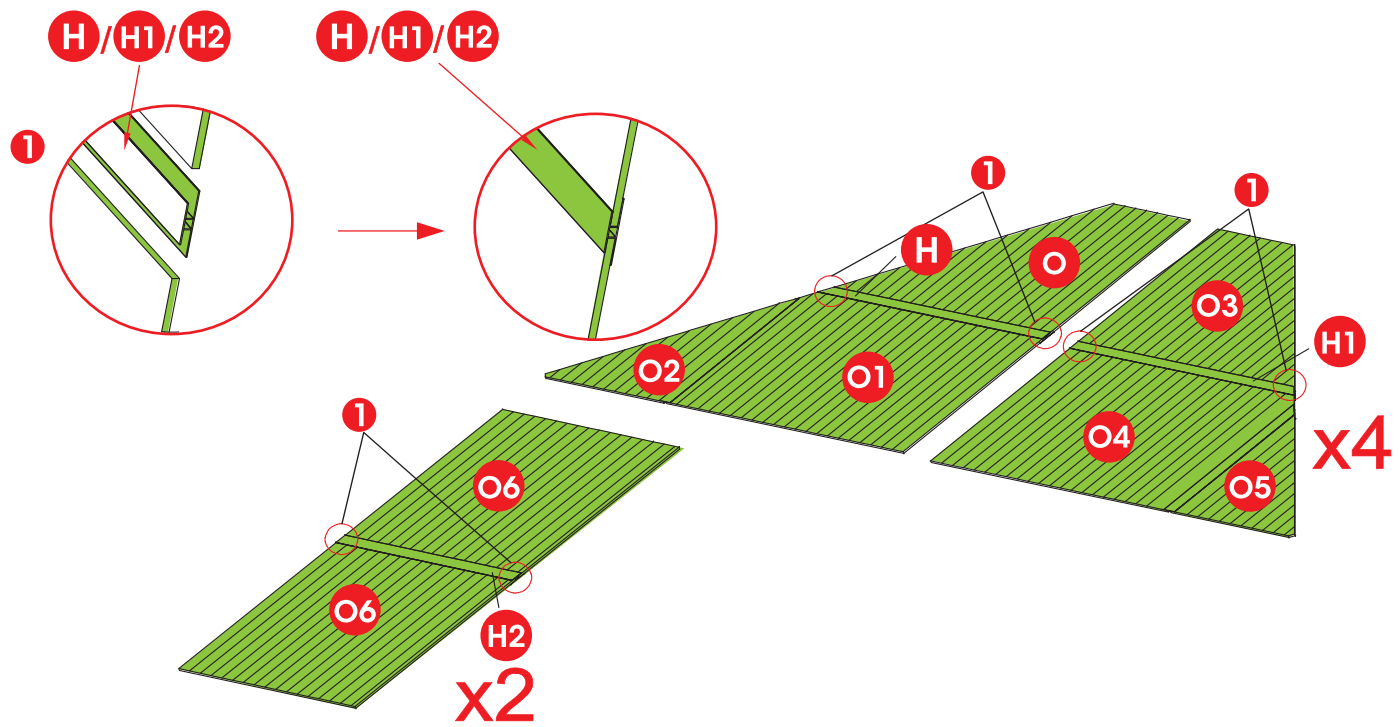
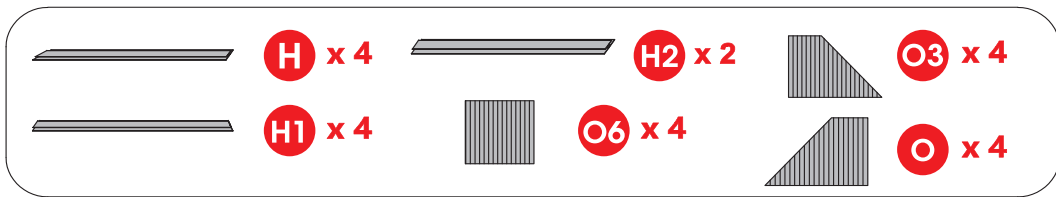
x4

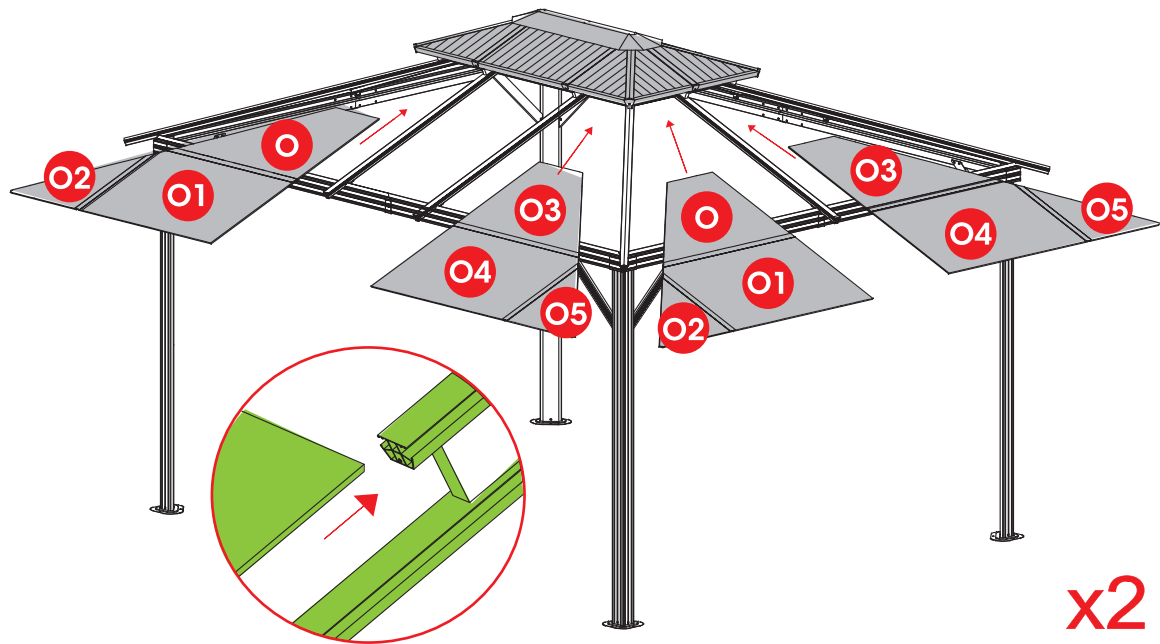


32

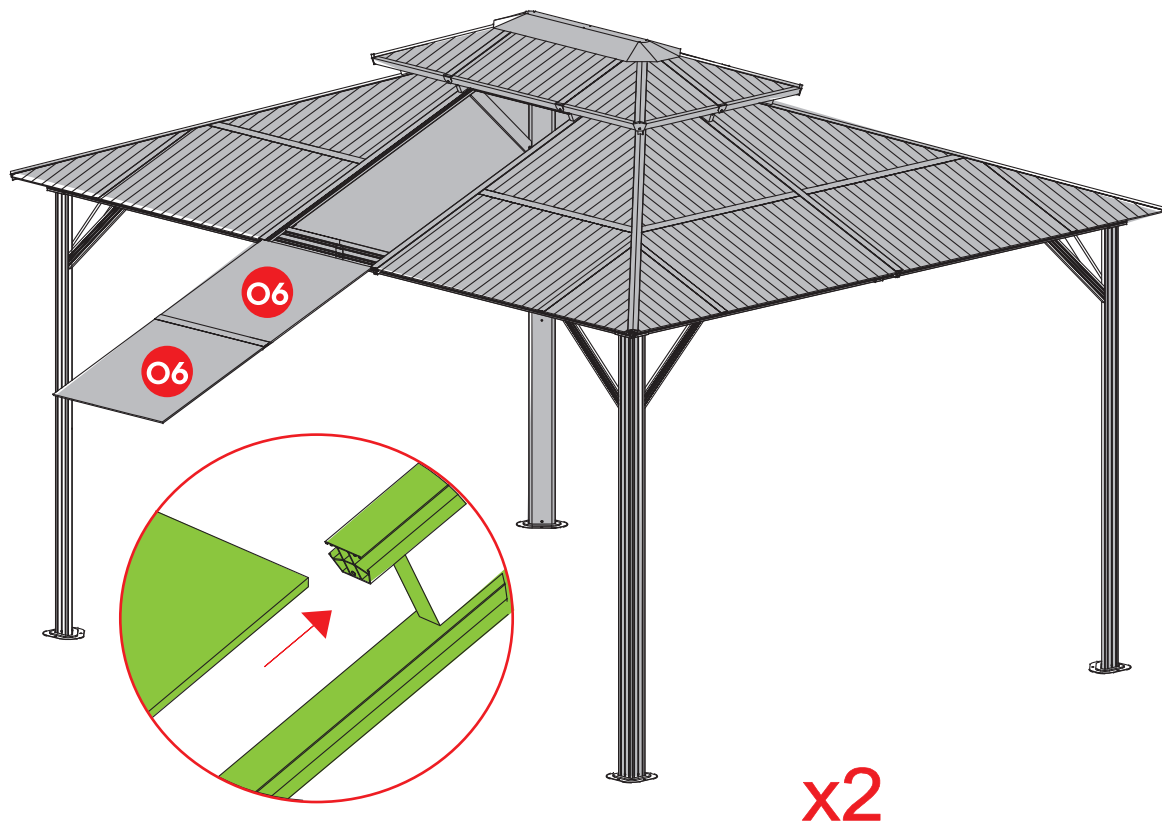


33

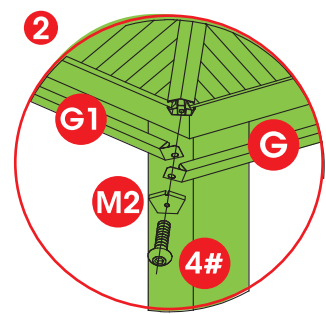
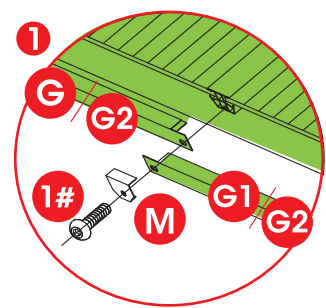
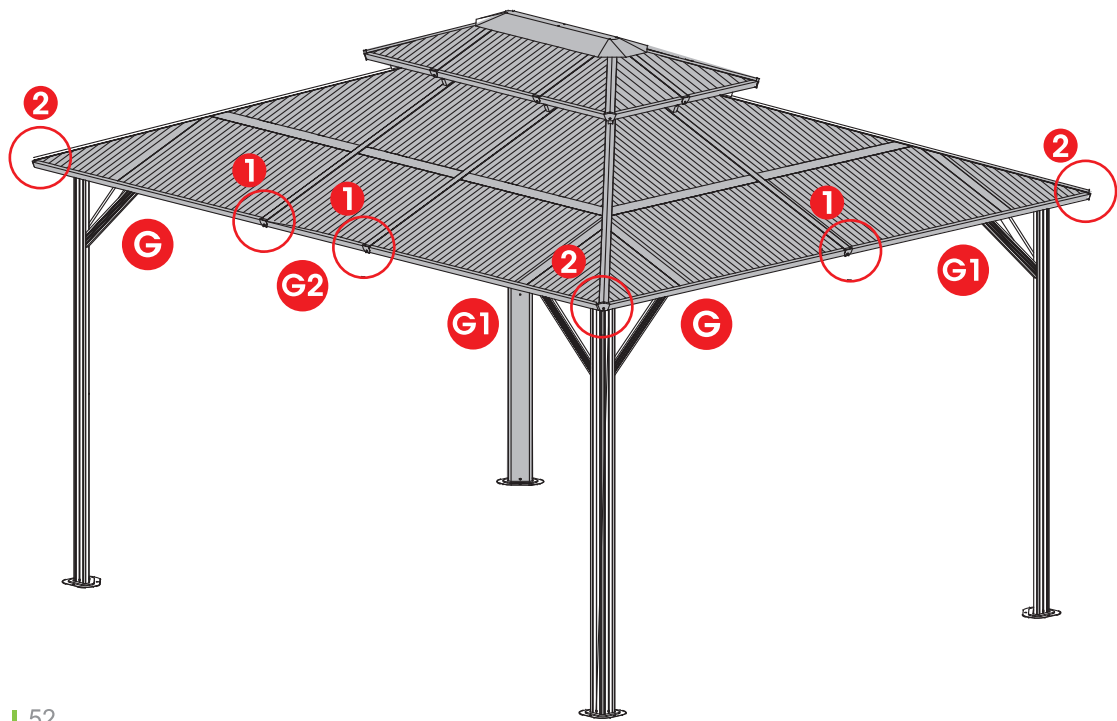
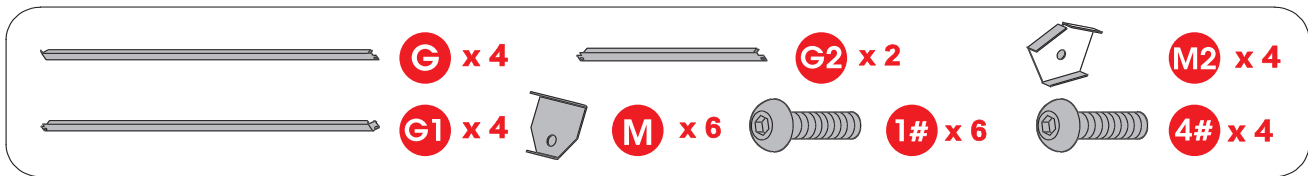




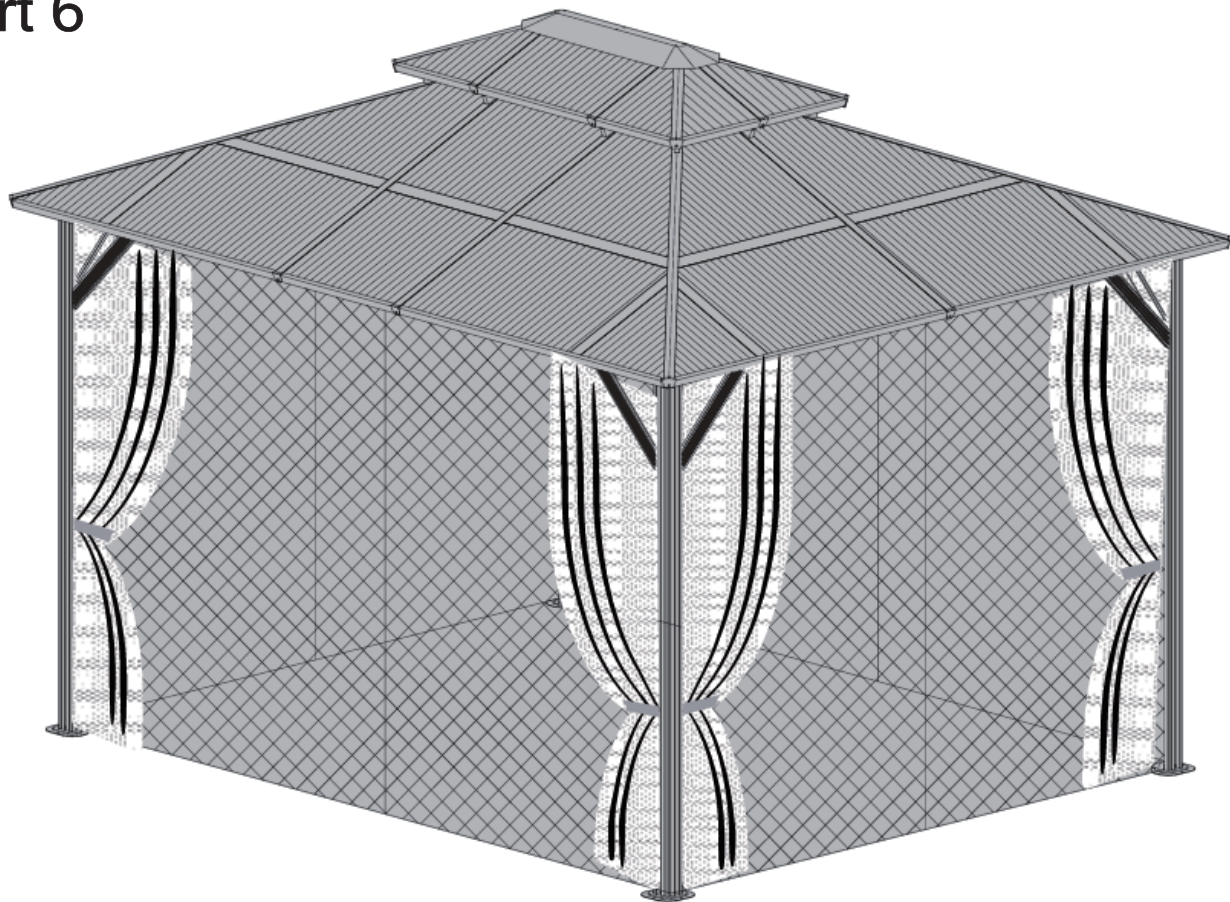
35



36



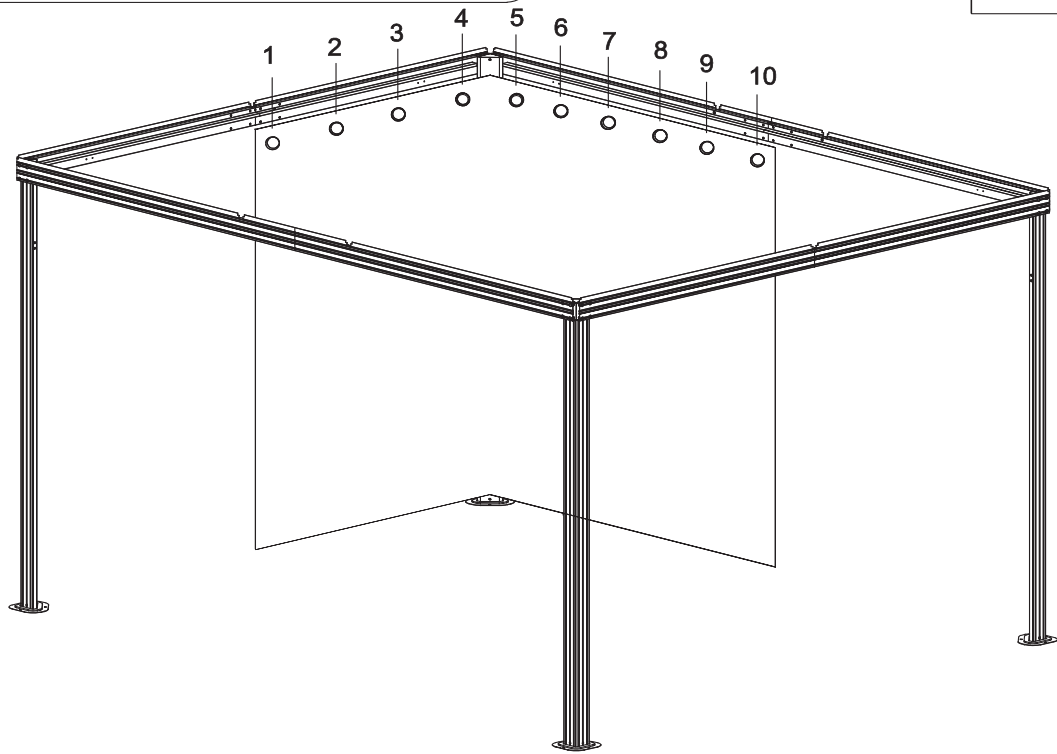
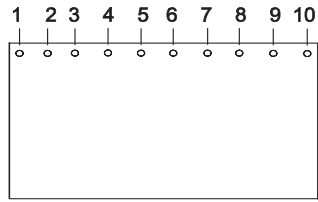
Part 6

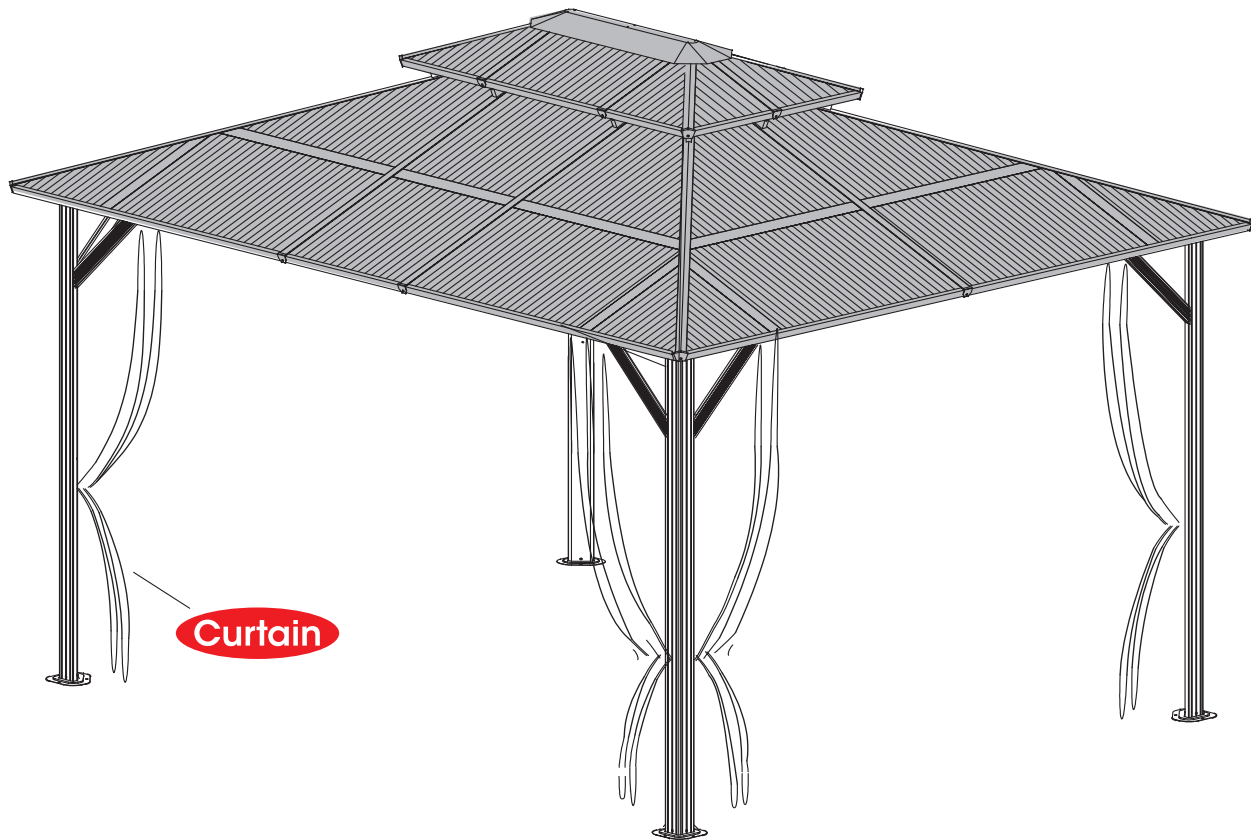


37

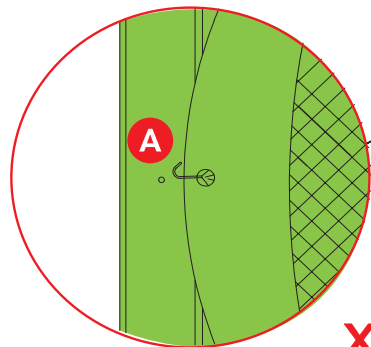
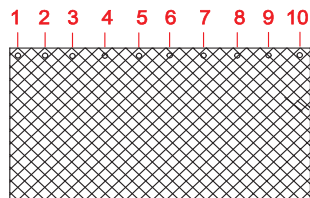
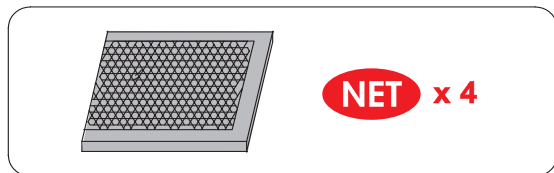
2x4

Curtain x 4

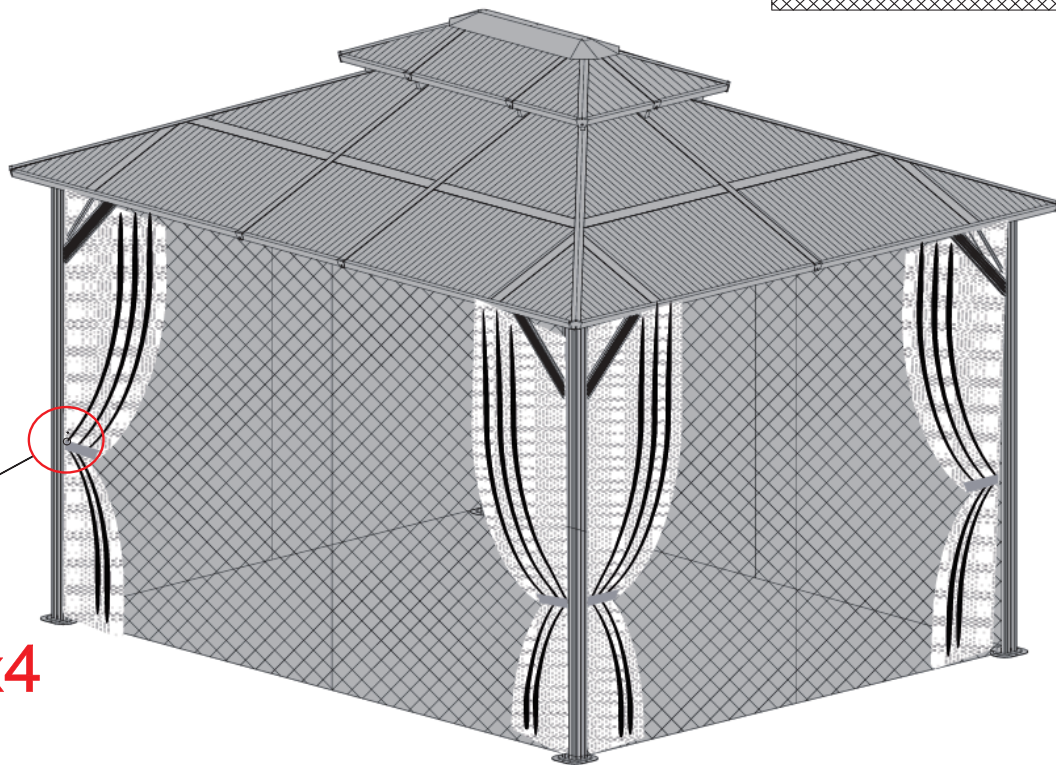




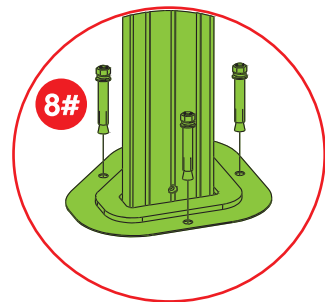
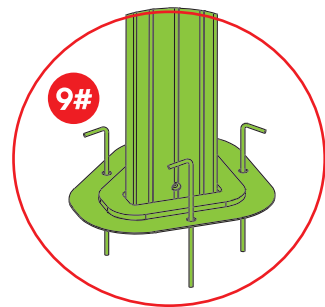
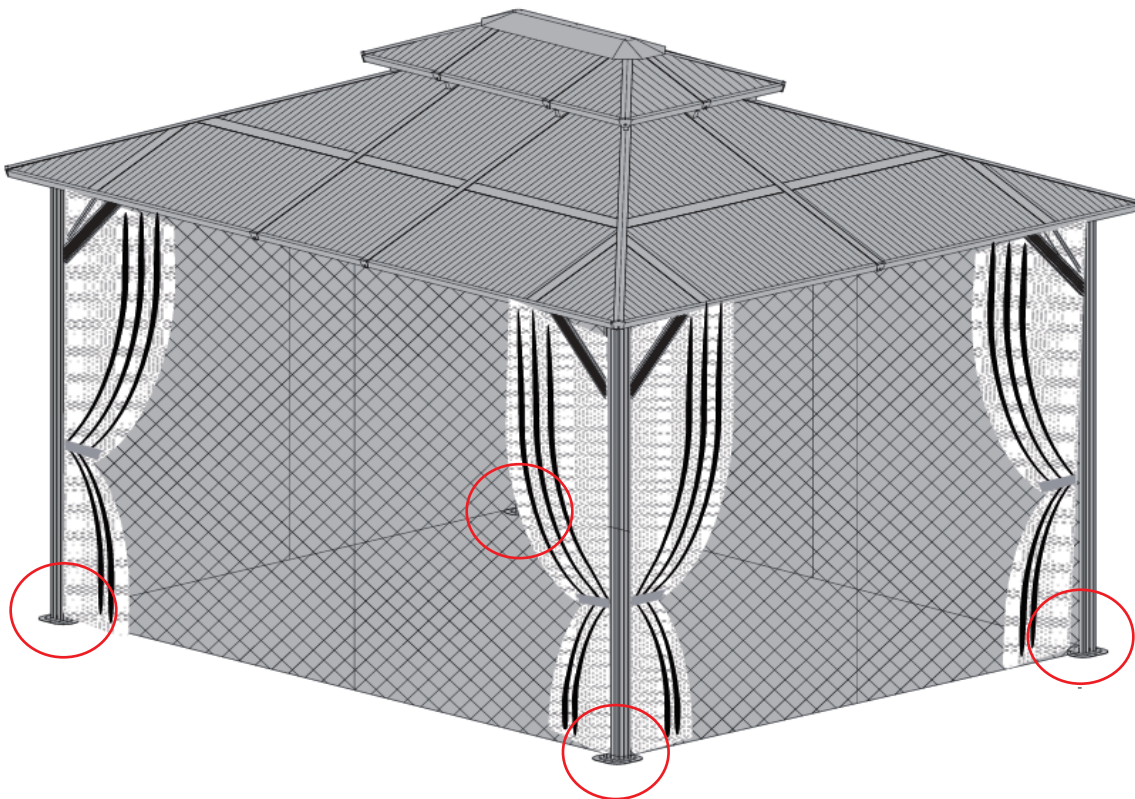
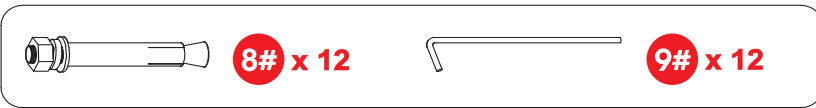
39



x4



40



Carton-1/2	
Part	Qty
E2	6
E3	6
H	4
H1	4
H2	2
I	4
I1	4
K	1
K1	1
L	4
F	4
F1	4
K2	1
M	18

Carton-1/2	
Part	Qty
M2	12
M6	8
W	4
W1	4
P	4
P1	4
P2	2
O	4
O1	4
O2	4
O3	4
O4	4
O5	4
O6	4

Carton-1/2	
Part	Qty
Q	80(+6)
1#	122 (+10)
2#	16 (+2)
3#	4 (+2)
4#	12 (+2)
5#	10 (+2)
6#	32 (+3)
7#	24 (+4)
8#	12
9#	12
10#	3
11#	8(+2)
12#	1
13#	1

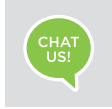
Carton-1/2	
Part	Qty
D3	4
D4	6
ZS	1
NET	4
Curtain	4

Carton-2/2	
Part	Qty
A	4
B	2
B1	2
C	2
C1	2
D	4
E	4
E1	4

Carton-2/2	
Part	Qty
R1	2
R2	2
G	4
G1	4
G2	4
J	2
J1	2
J2	2

I HELP CENTER

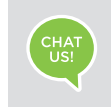
Question about your product? We're here to help. Visit us at:



Chat Support



Product Inquiry



Orders FAQ



Product Assembly



Returns & Refunds

Return Request

in order to get a full refund as described in this return policy, all items must be: (1) In a brandnew/unused condition, please provide photos before and after packaging.
(2) When returning, all accessories and parts are firmly packed in all original packaging.
if your return does not meet the requirements, you may not get a full refund.

When will I be refunded?

The refund is released once the goods have been returned to our warehouse.

What if the product is damaged/defective outside of the valid return period?

We want you to be a happy customer. Please reach out to us by email and we will come up with a solution to make sure you are satisfied.