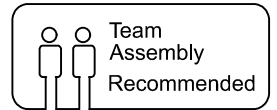
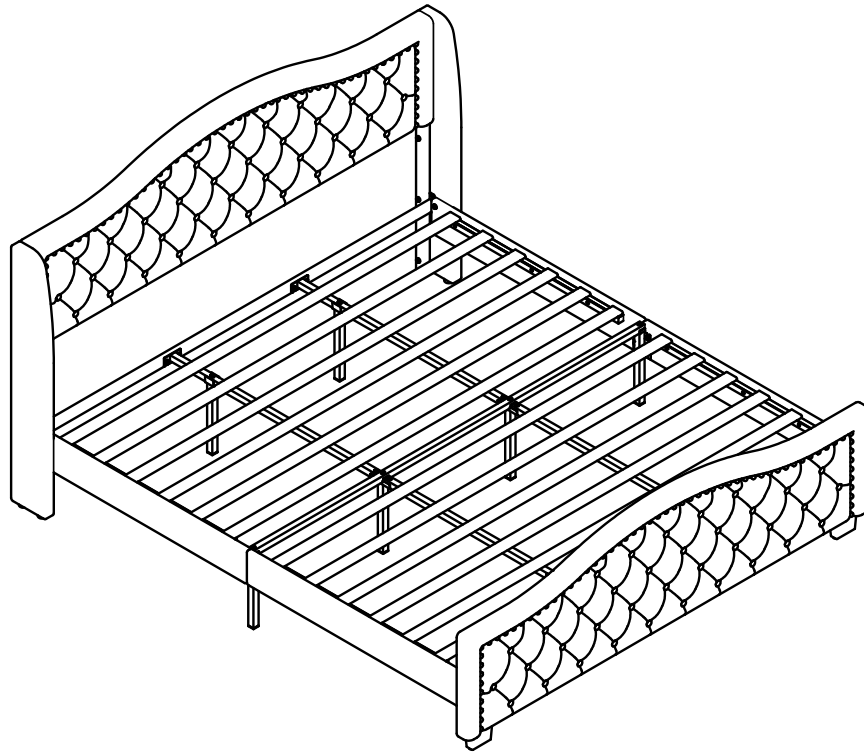
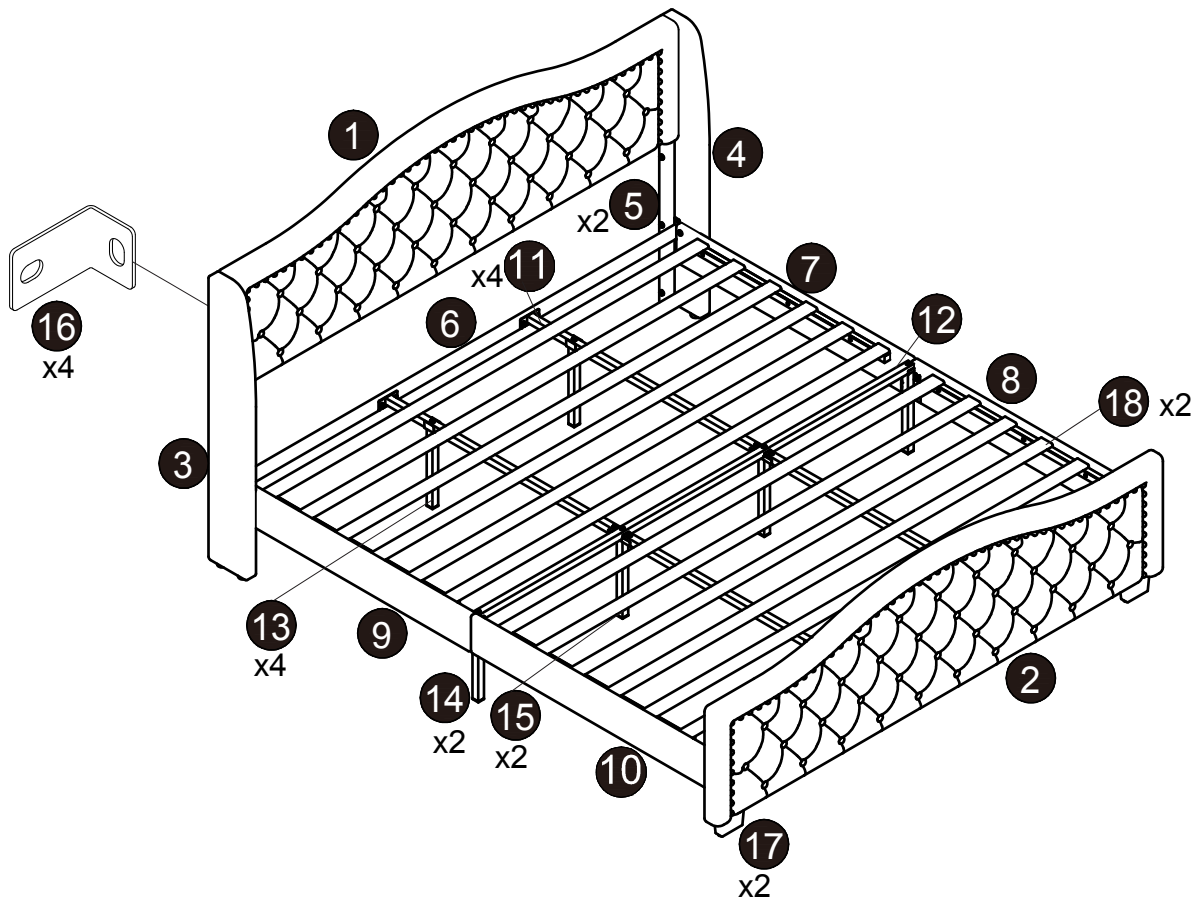
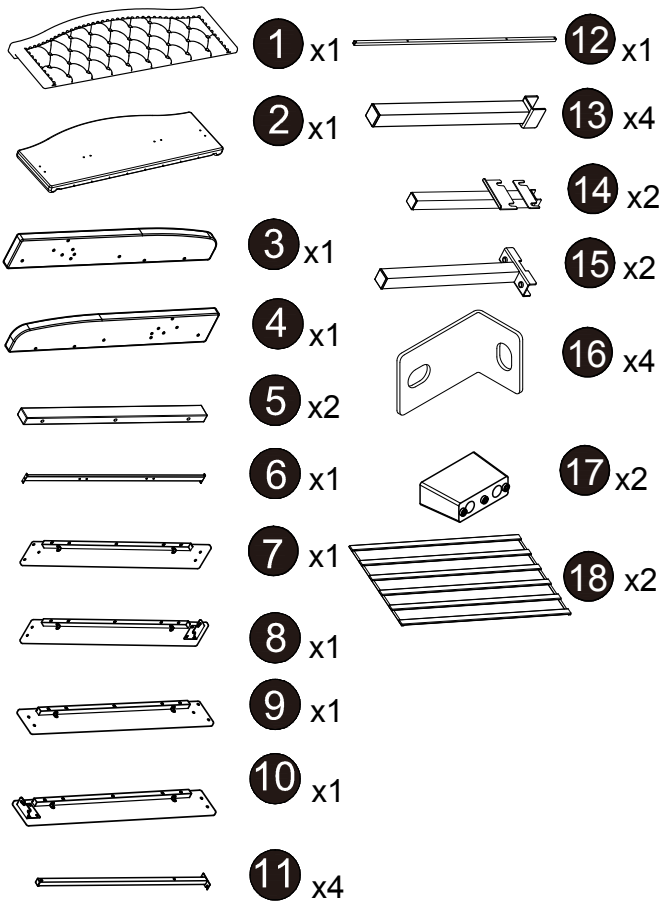


# Assembly Instructions






**Componets** ▶

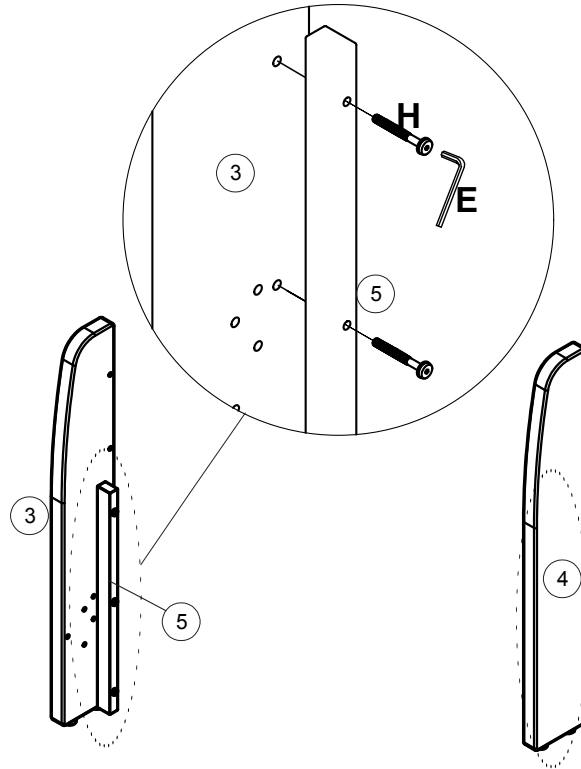


**Screws & Tools** ▶


<b>A</b>		<b>1/4*50</b>	x6
<b>B</b>		<b>1/4*65</b>	x4
<b>C</b>		<b>5/16*35</b>	x10
<b>D</b>		<b>5/16*19</b>	x12
<b>E</b>		<b>M4</b>	x1
<b>F</b>		<b>5/16*30</b>	x16
<b>G</b>		<b>5/16*55</b>	x2
<b>H</b>		<b>1/4*65</b>	x6
<b>I</b>		<b>1/4*25</b>	x4

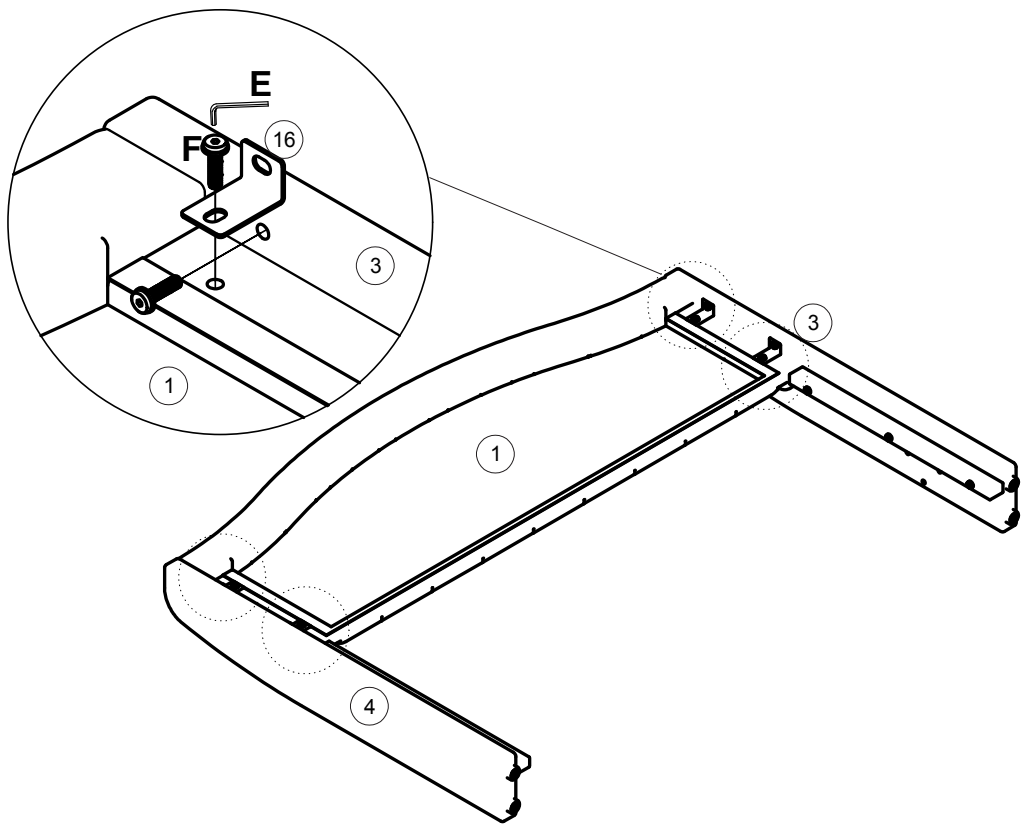
# Step 1

<b>(H)</b>	<b>6PCS</b>	
------------	-------------	---



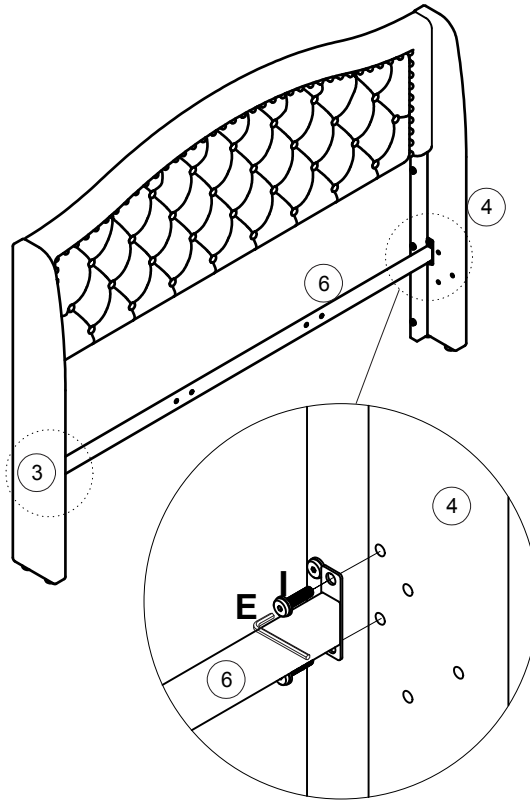
# Step 2

<b>(F)</b>	<b>8PCS</b>	
------------	-------------	---



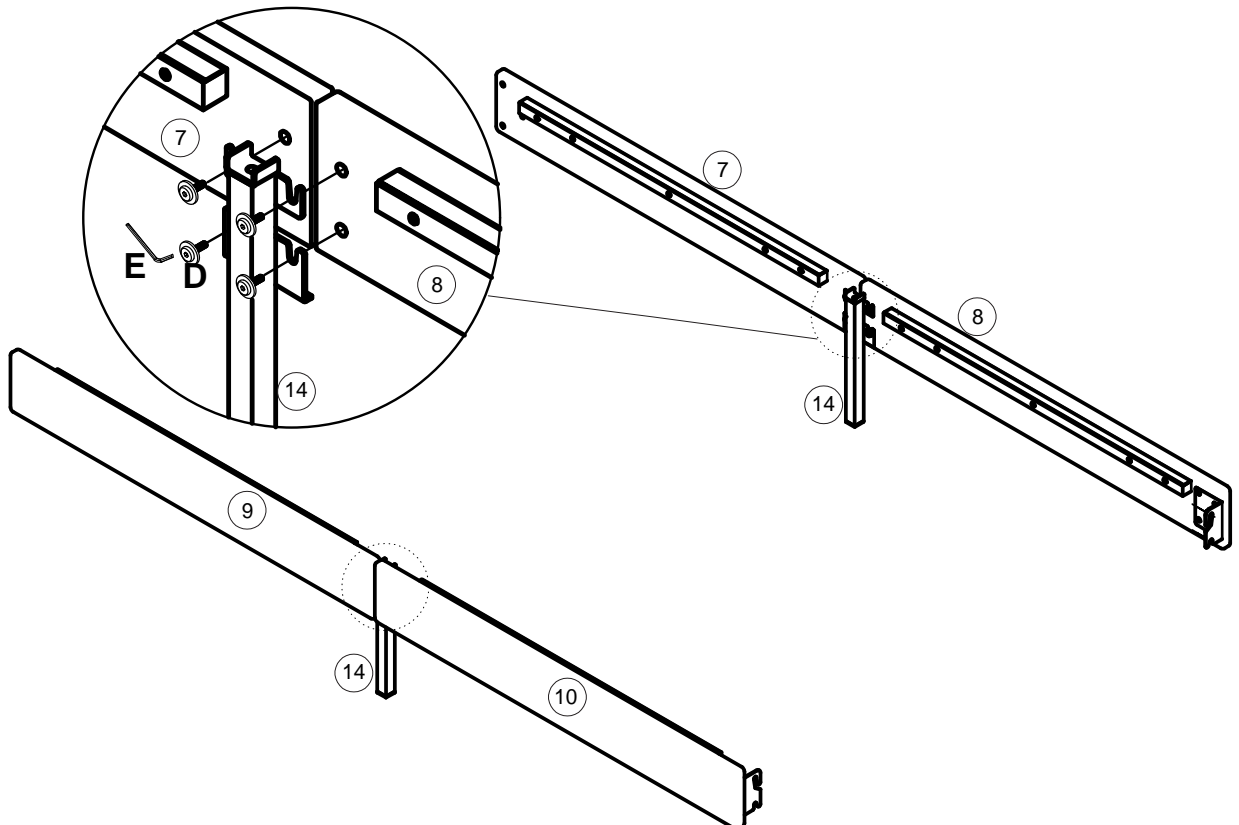
### Step 3

① 4PCS 



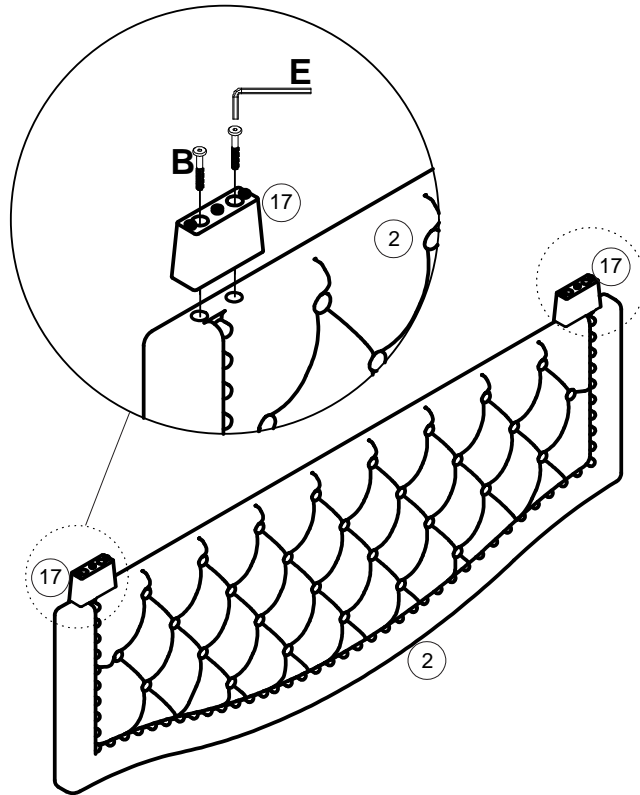
### Step 4

④ 8PCS 



# Step 5

**(B)** 4PCS

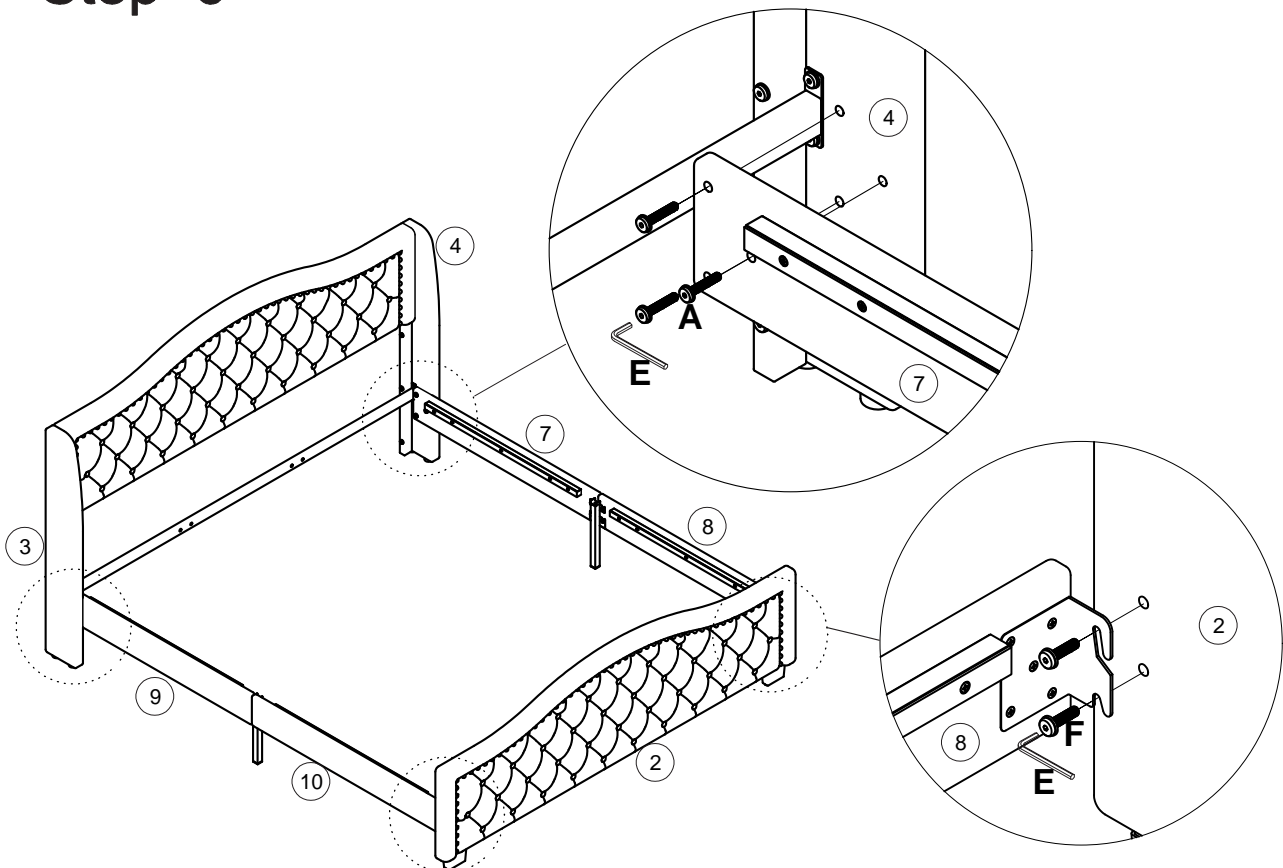
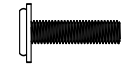


# Step 6

**(A)** 6PCS



**(F)** 4PCS

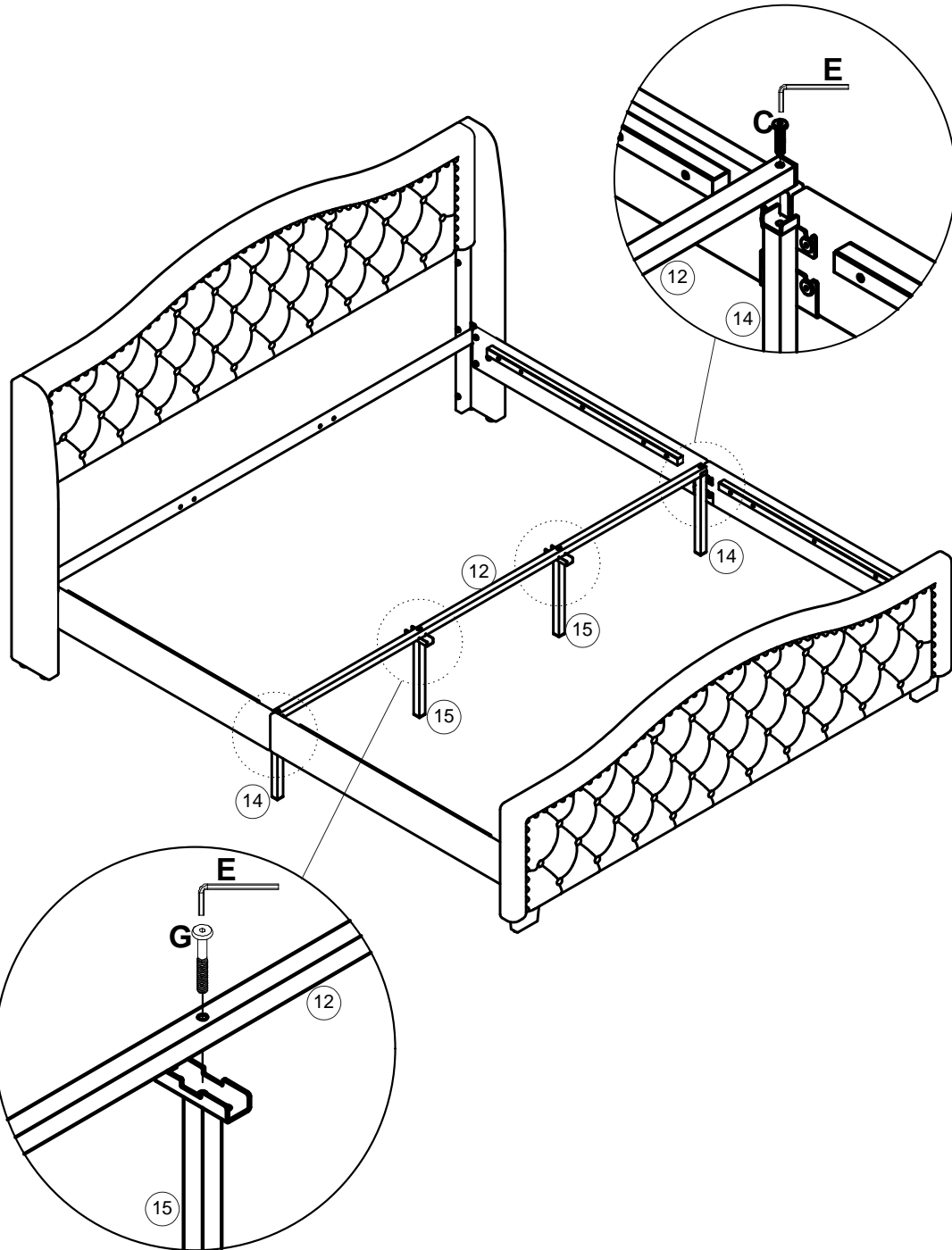


# Step 7


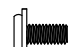

C 2PCS

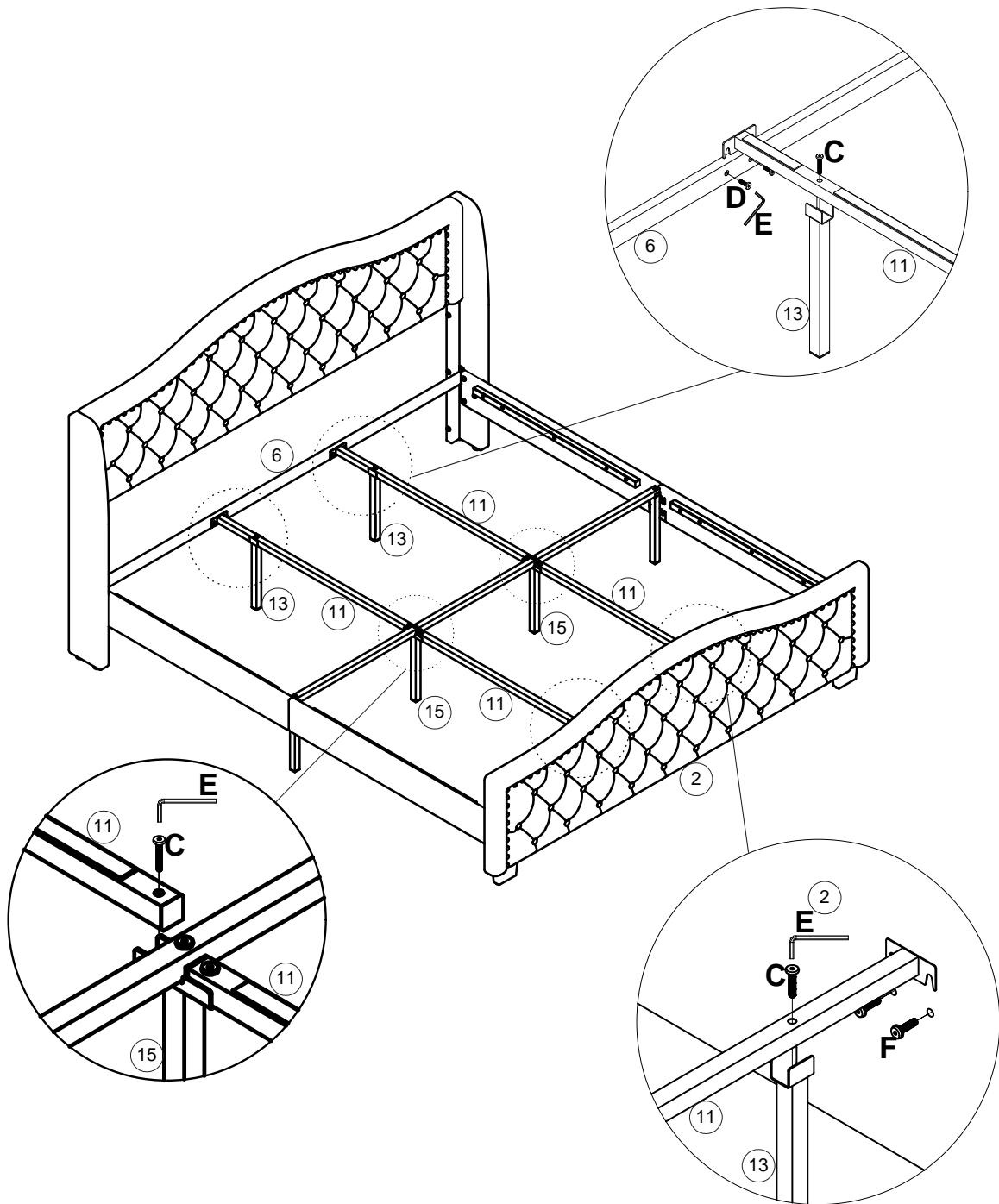


G 2PCS

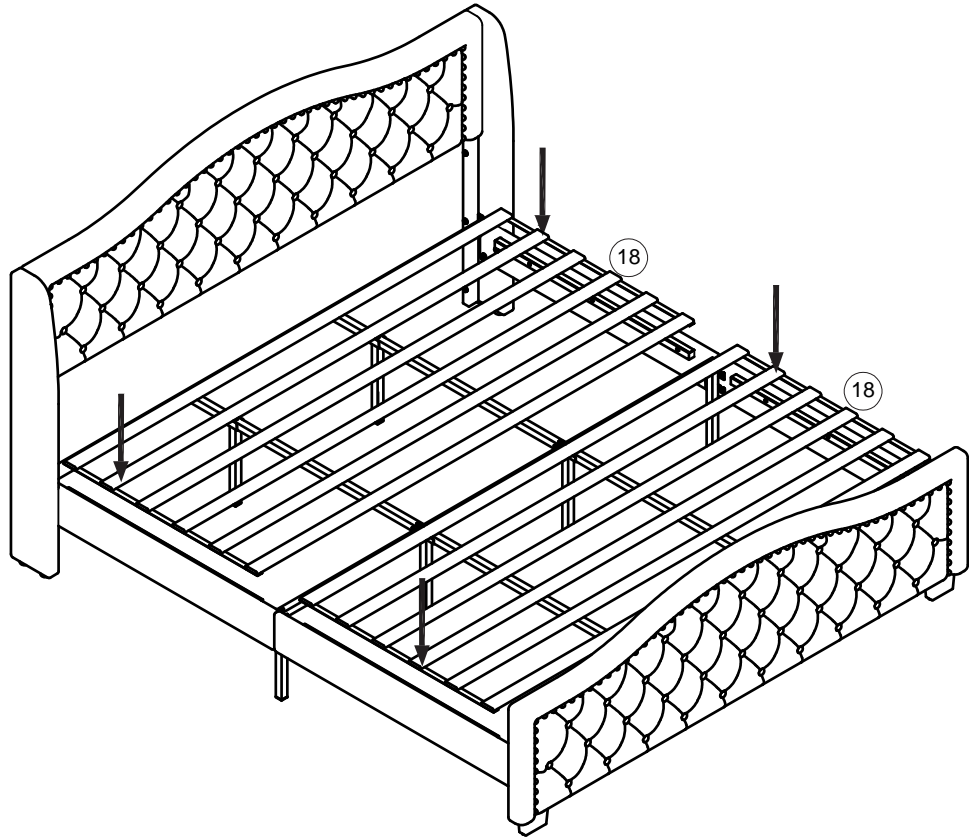


# Step 8

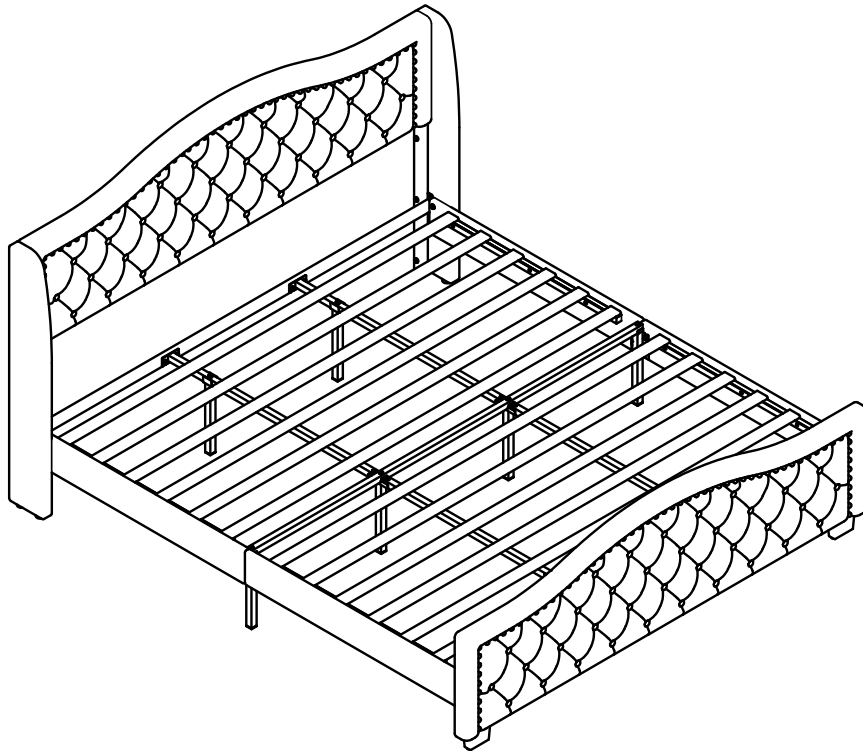
<b>C</b>	<b>8PCS</b>	
<b>D</b>	<b>4PCS</b>	
<b>F</b>	<b>4PCS</b>	



## Step 9



## Step 10



## Tips!



1. Check all the components & screws are intact before assembling .
2. If you notice any pieces are missing or damaged please do not assemble and contact us immediately .

## IMPORTANT SAFETY INFORMATION

- Please carefully read the following instructions and caution warnings before assembling the product.
- Following this guide will ensure that you install, use and maintain the product properly.
- Please keep this installation and user manual/instructions for future reference in case you need to disassemble the product.
- Never allow children to climb onto the product. Ensure that you have special safety measures when children are around on their own.
- Be sure to check that all parts of the product are intact after you open the package.
- Do not assemble if you notice serious damage such as cracks or bends.
- During installation, please use work gloves for hand safety.
- Please assemble the unit on carpeted floor or the flat cardboard box to avoid scratching the surface or your floor while assembling on the floor.
- To assemble, please use the complimentary installation tools (Phillips screwdriver). Pay more attention to the direction of components at each steps.
- It is recommended that two people work together to assemble the product.