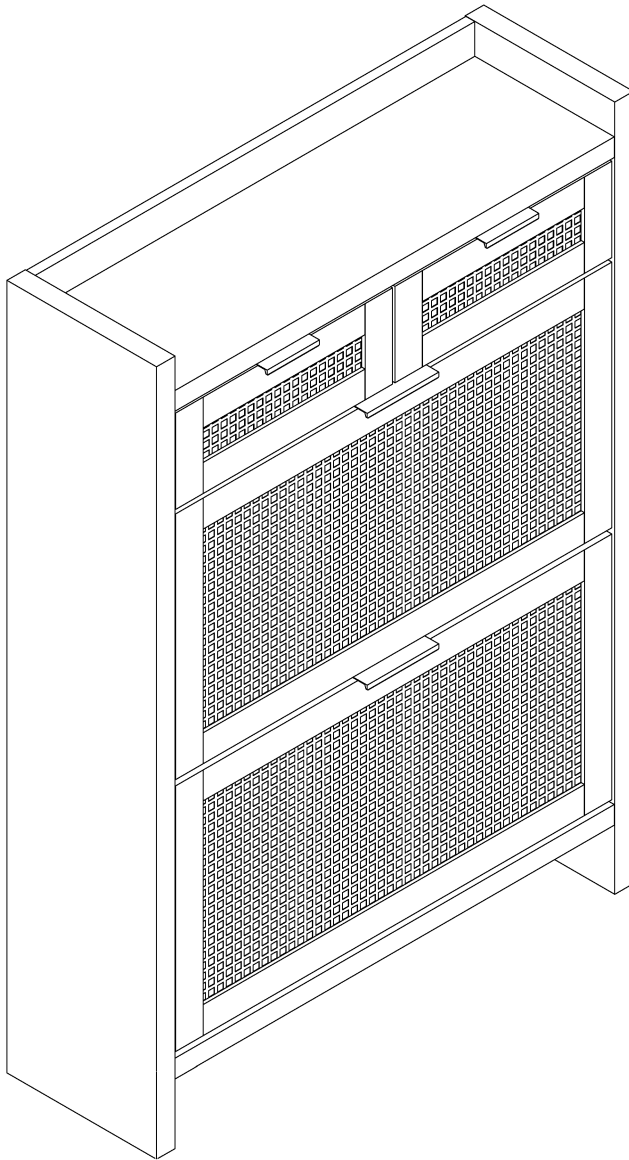


Assembling Instruction

Assembly Instructions

Generating Drawings



Because it's a narrow cabinet, it must permanently fixed to the wall with included anti-tipping device to prevent the cabinet from tipping over. It will be very stable and safe when locked on the wall.

ATTENTION

If there is any missing, please kindly send us messages to let us know the name of missing part regarding to the first page of instructions.

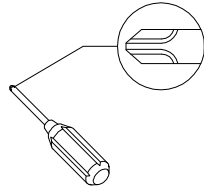
We will send replacement to you asap. We are concerned about each customer's experience, if there is any loss or damage, please contact us at any time, we will provide effective solutions.

Please attach your Oder ID so that we can assist you better.

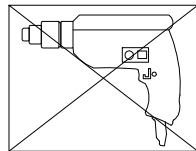


General Assembly Guidelines

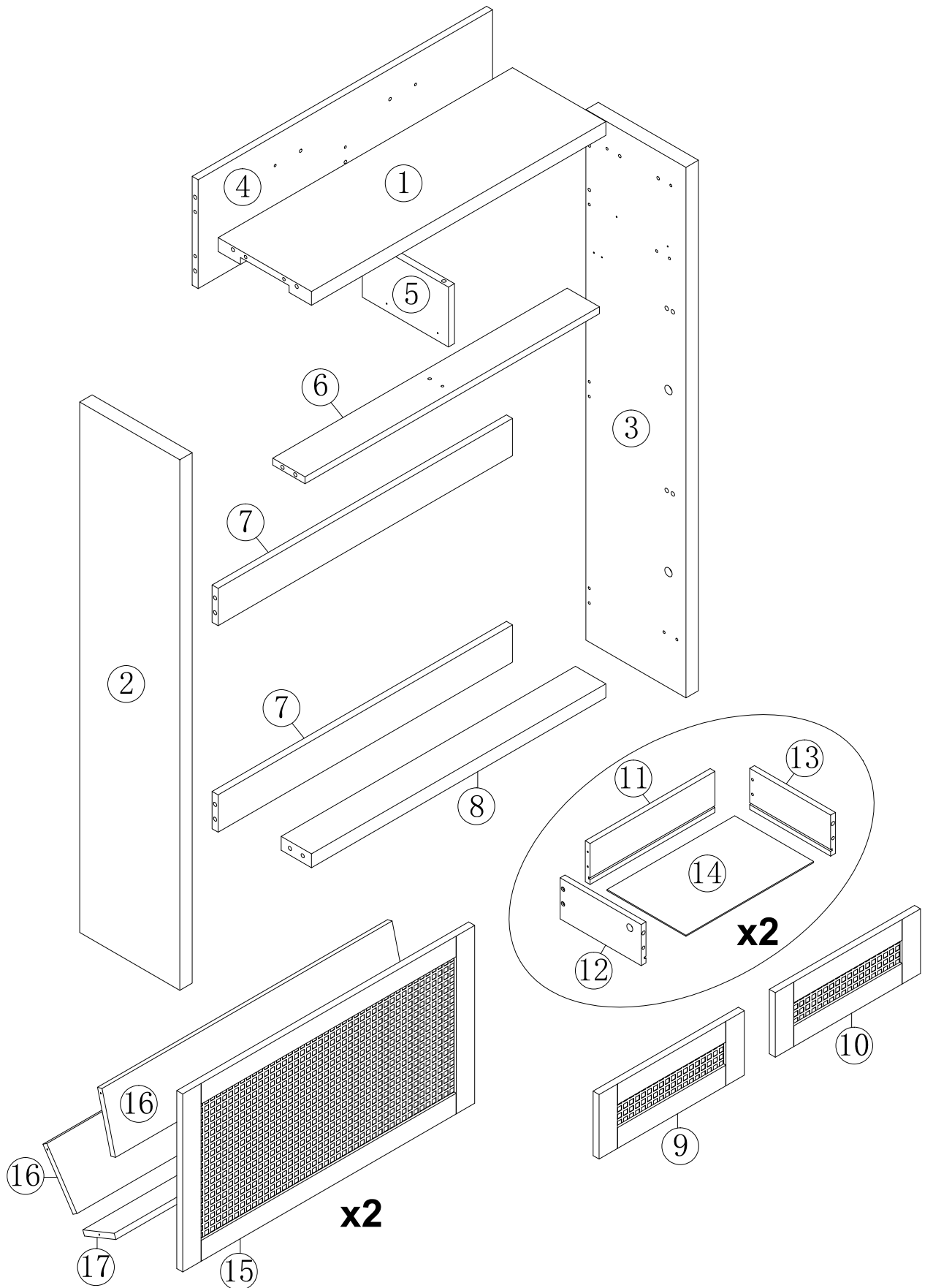
- I. Ensure that all parts and hardware are available before beginning assembly.
- II. Follow each step carefully to ensure the proper assembly of this product.
- III. Two people are recommended for ease in the assembly of this product.
- IV. The three main types of hardware used to assemble this product are : wood dowels , screws and bolts.
- VI . A Phillips head screwdriver is required for the assembly of this product.



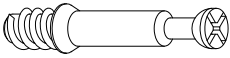
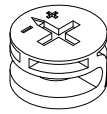


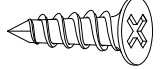
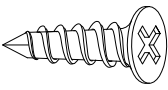
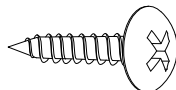
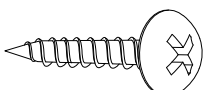
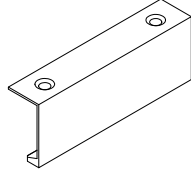
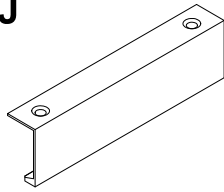
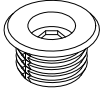
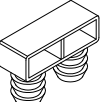

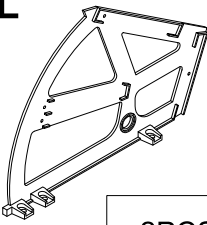
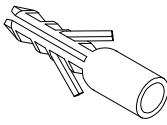
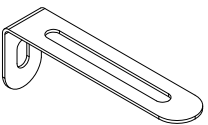
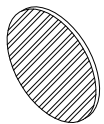
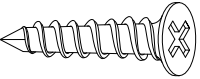
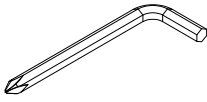
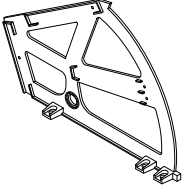
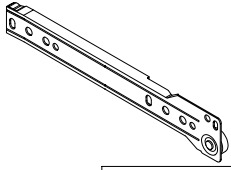
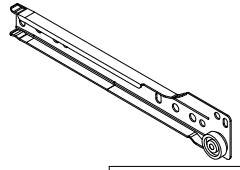
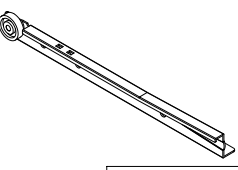
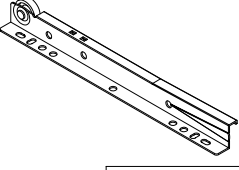
- VII . Power tools should not be used to assemble this product.

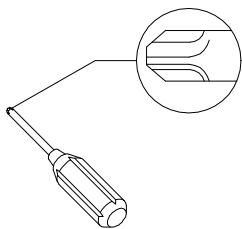


Parts List



HARDWARE PACK CONTENT

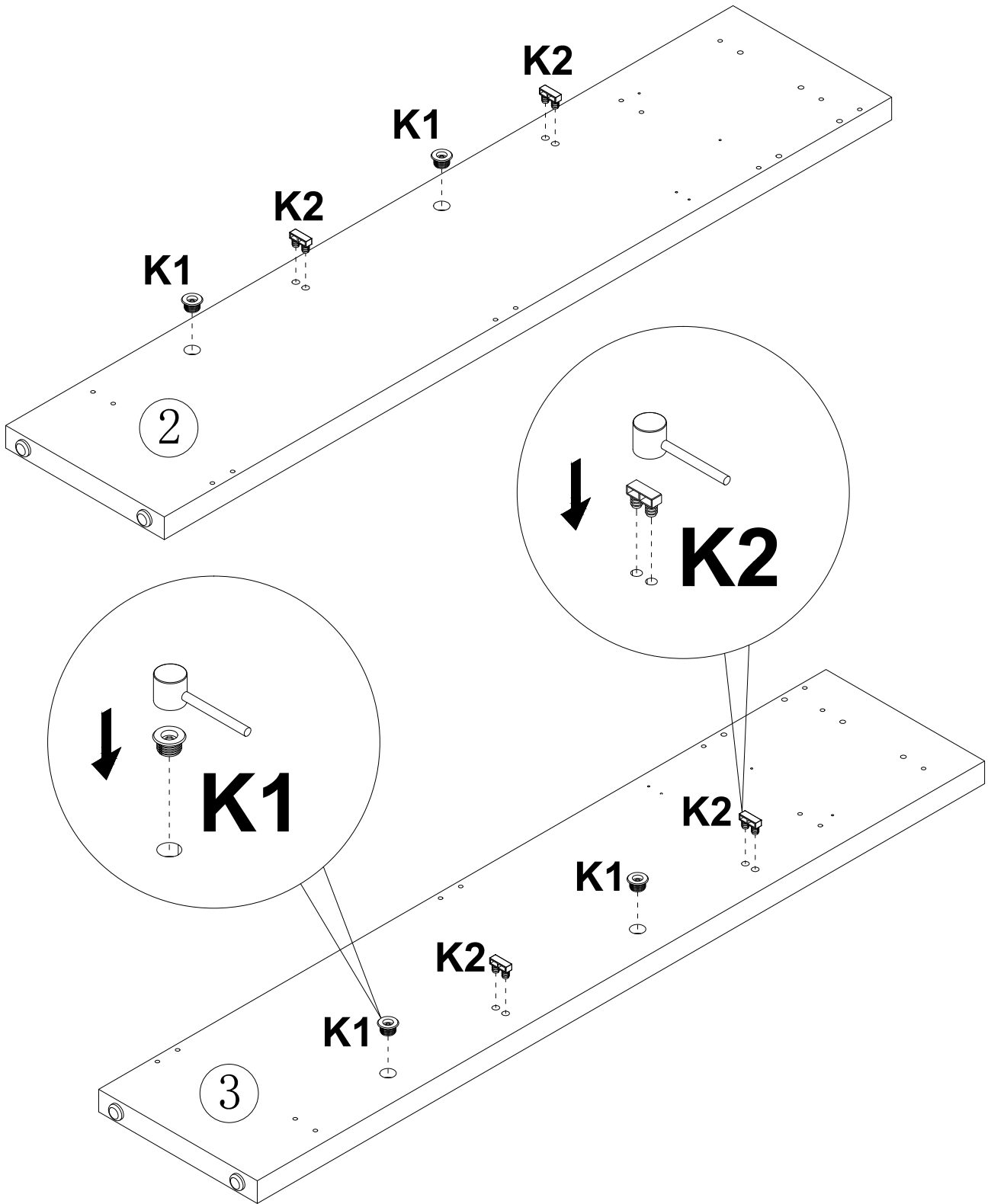
<p>A</p>  <p>M6x35mm 30+3PCS</p>	<p>B</p>  <p>Ø15x9mm 30+3PCS</p>	<p>C</p>  <p>M4x40mm 16+2PCS</p>	<p>D</p>  <p>Ø6x30mm 15+2PCS</p>	<p>E</p>  <p>M3x12mm 16+2PCS</p>	
<p>F</p>  <p>M3.5x12mm 8+1PCS</p>	<p>G</p>  <p>M4x12mm 4+1PCS</p>	<p>H</p>  <p>M4x14mm 4+1PCS</p>	<p>I</p>  <p>64mm 2PCS</p>	<p>J</p>  <p>96mm 2PCS</p>	
<p>K</p>  <p>K1</p>  <p>K2</p>  <p>K3</p> <p>4PCS</p>			<p>L</p>  <p>2PCS</p>	<p>M</p>  <p>2PCS</p>	<p>N</p>  <p>2PCS</p>
<p>O</p>  <p>Ø20mm 30+3PCS</p>	<p>P</p>  <p>M3.5x14mm 24+3PCS</p>	<p>Q</p>  <p>M4mm 1PC</p>	<p>R</p>  <p>2PCS</p>		
<p>CL</p>  <p>200mm 2PCS</p>	<p>CR</p>  <p>200mm 2PCS</p>	<p>DL</p>  <p>200mm 2PCS</p>	<p>DR</p>  <p>200mm 2PCS</p>		



Philips head screwdriver required for assembly
(not included)

*The hardware quantities listed above are required for proper assembly.
Some extra hardware may also have been included.*

Step 1



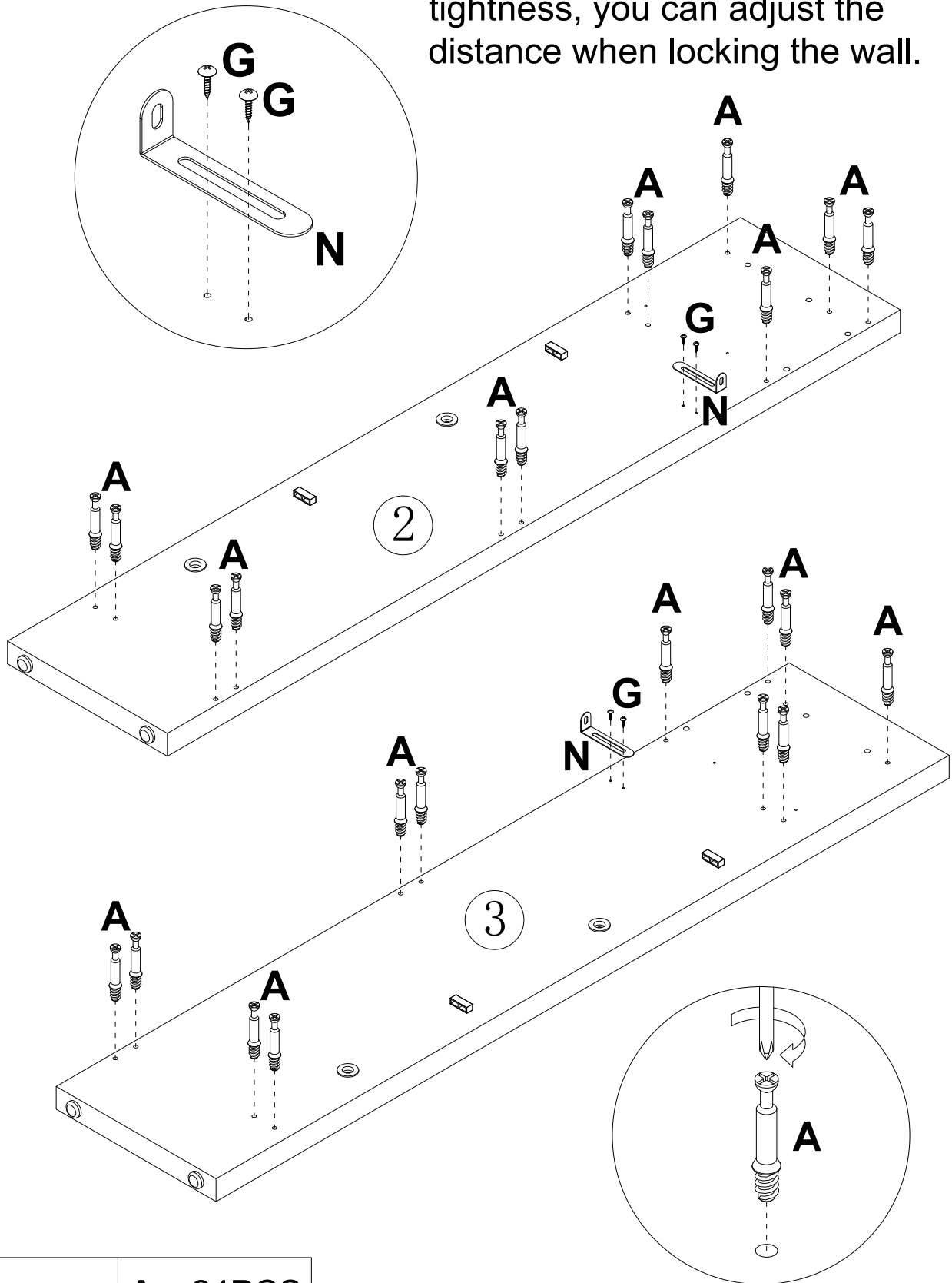
K1 x 4PCS

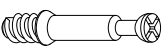
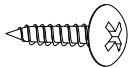
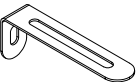


K2 x 4PCS

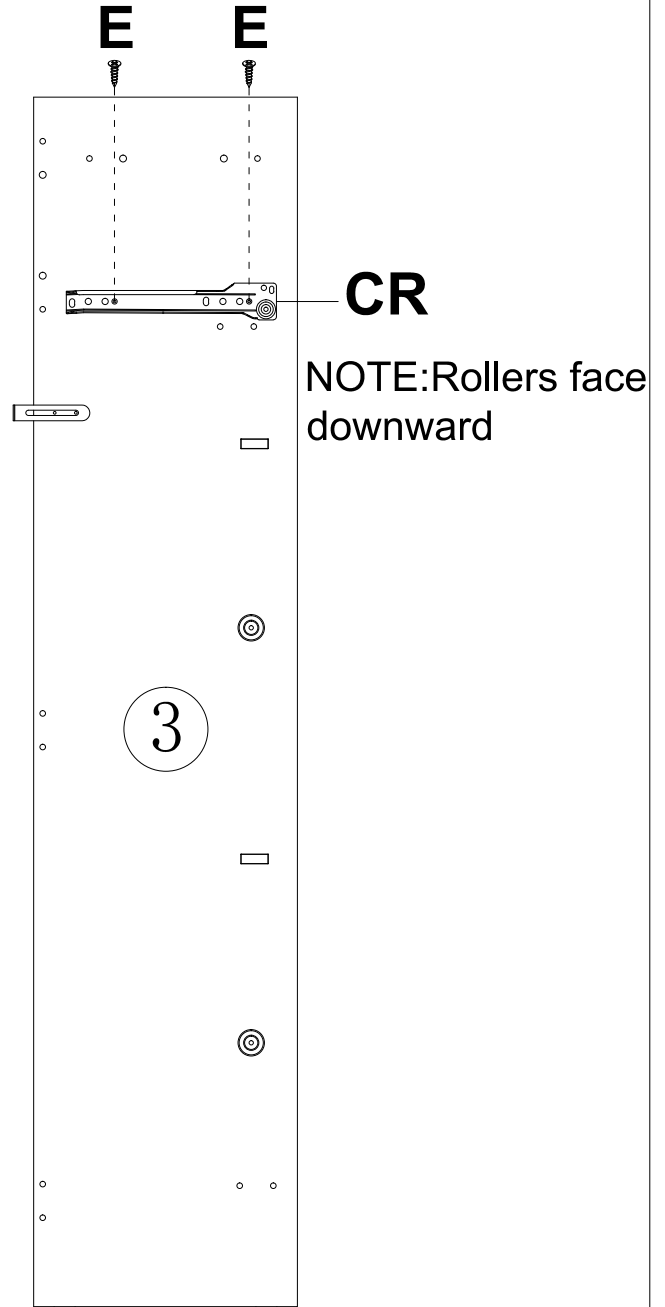
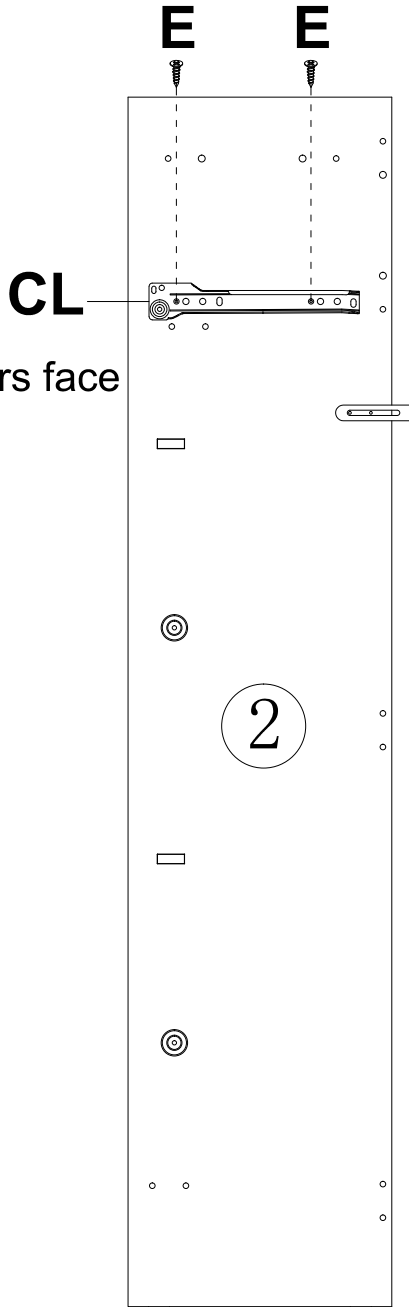
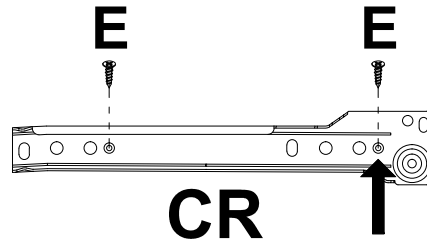
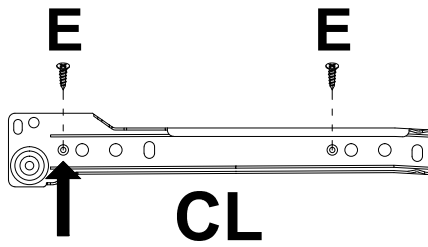
Step 2

NOTE: Secure N with G to 95% tightness, you can adjust the distance when locking the wall.



	A x 24PCS
	G x 4PCS
	N x 2PCS

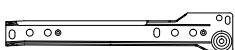
Step 3



E x 4PCS

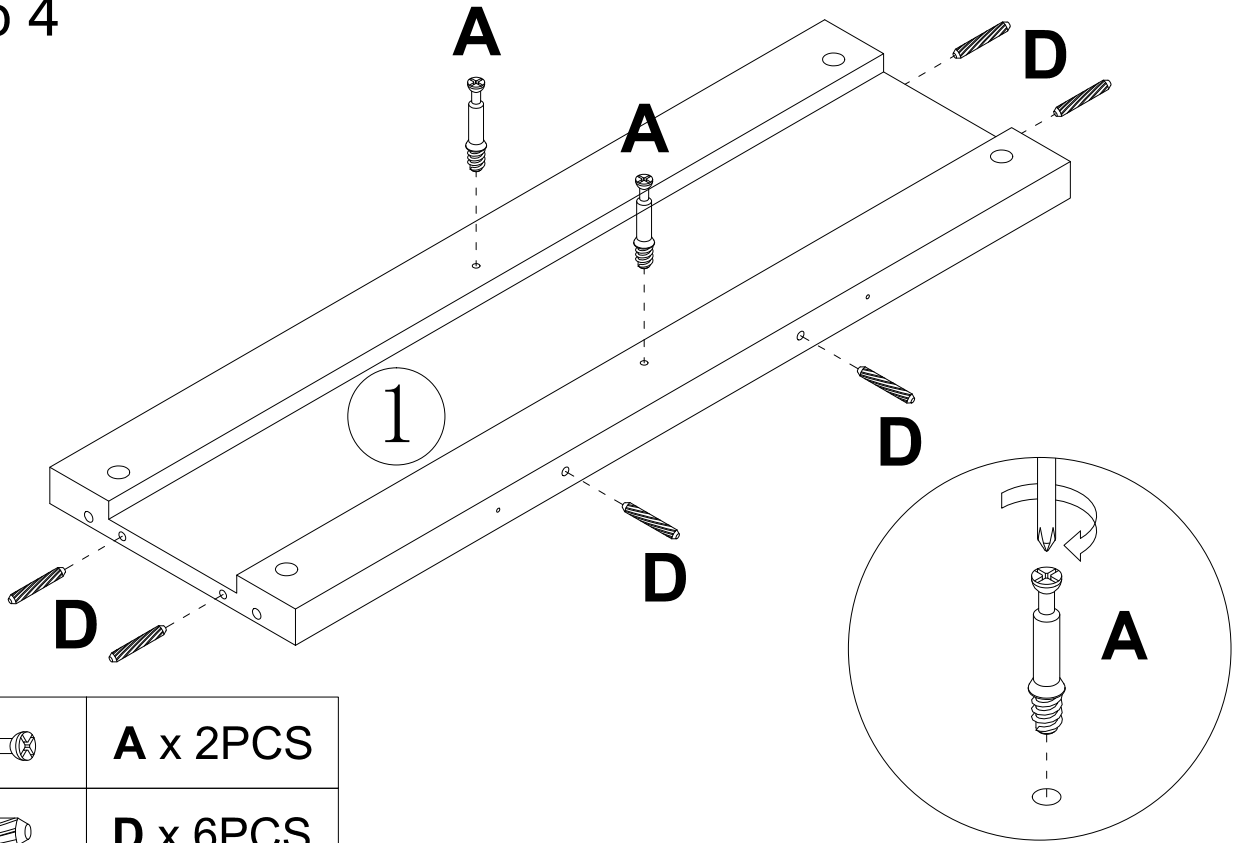


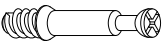
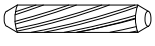
CL x 1PC



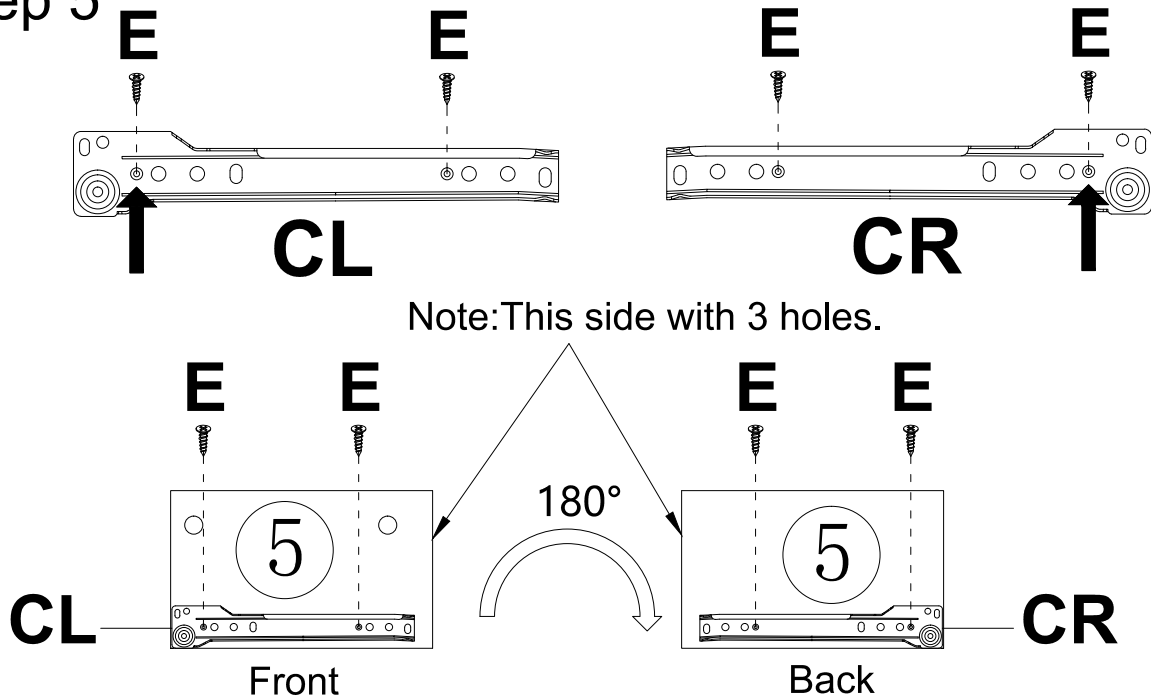
CR x 1PC



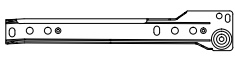
Step 4



	A x 2PCS
	D x 6PCS

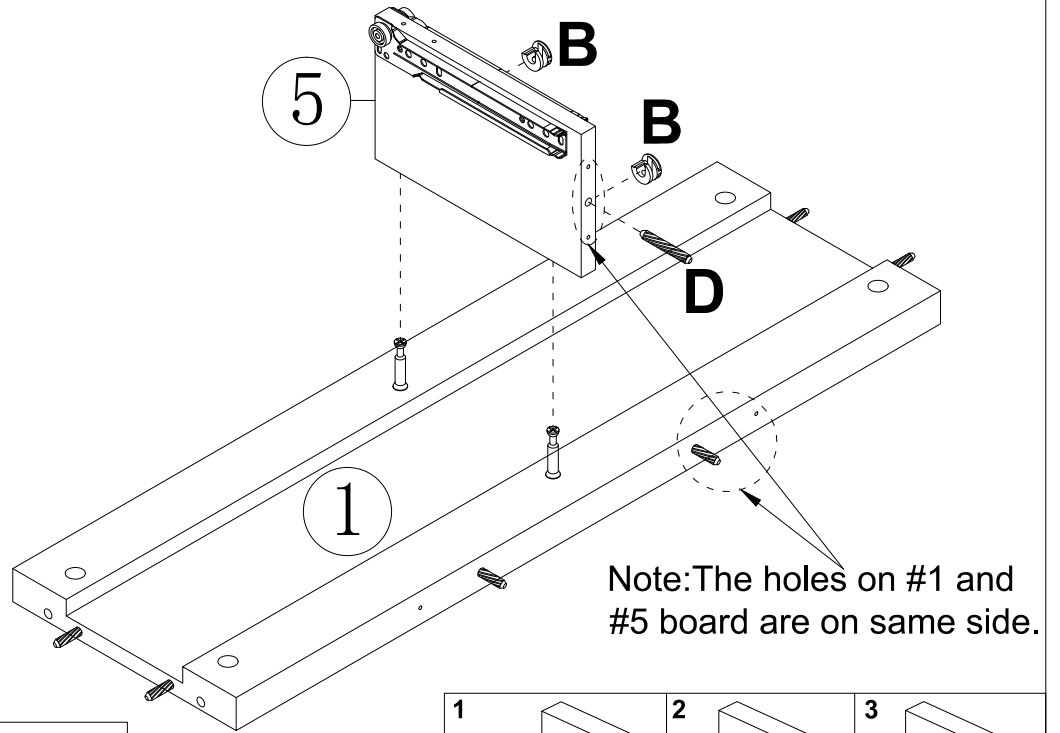
Step 5





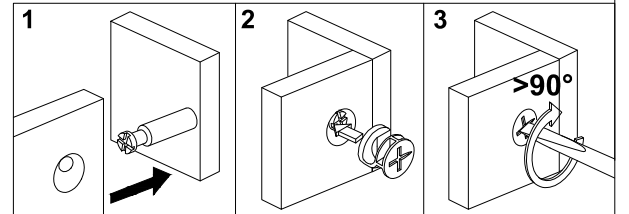
	E x 4PCS
	CL x 1PC
	CR x 1PC

Note: This step involves only ONE board #5.

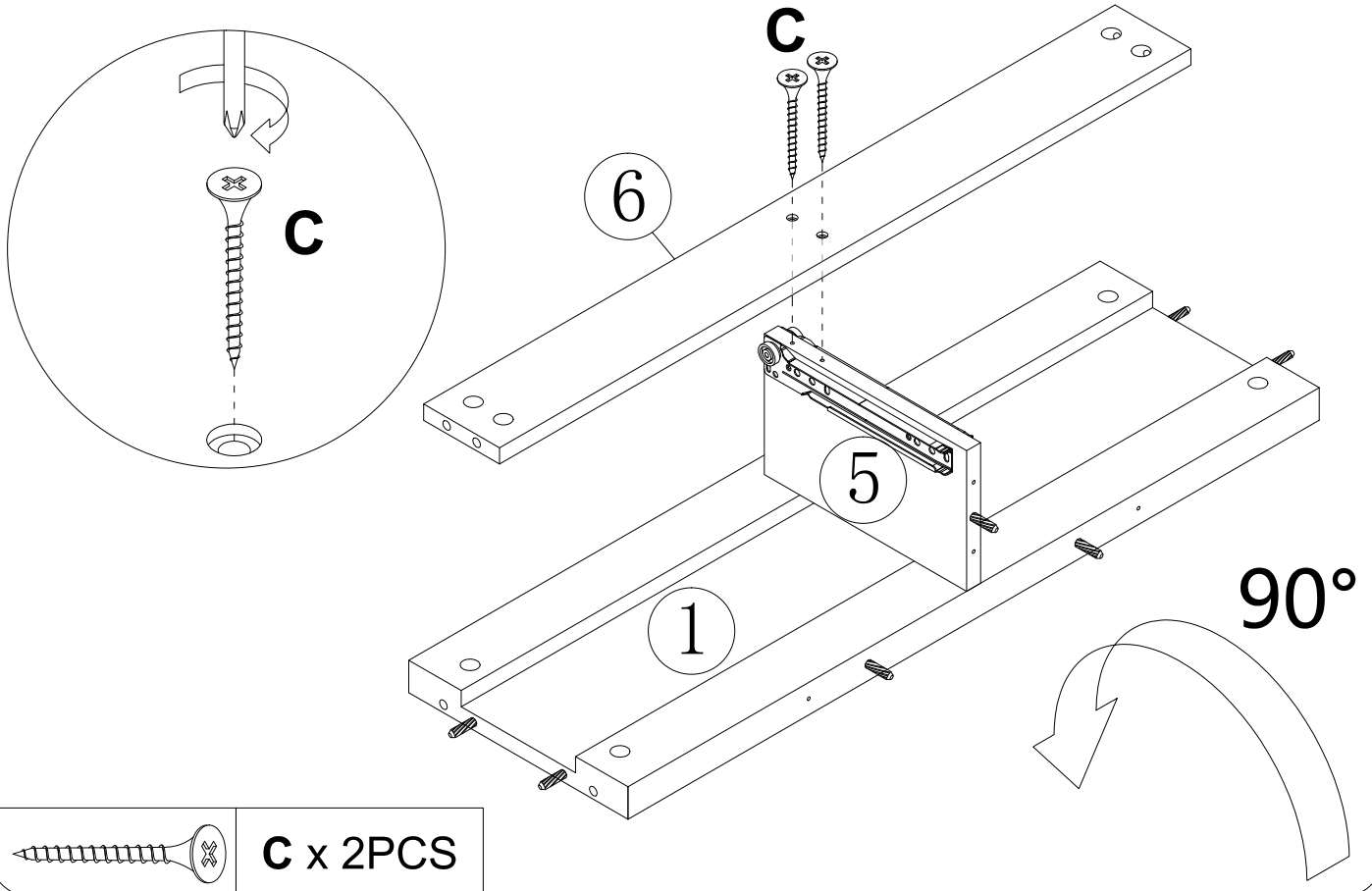
Step 6



	B x 2PCS
	D x 1PC

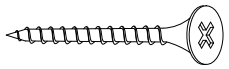
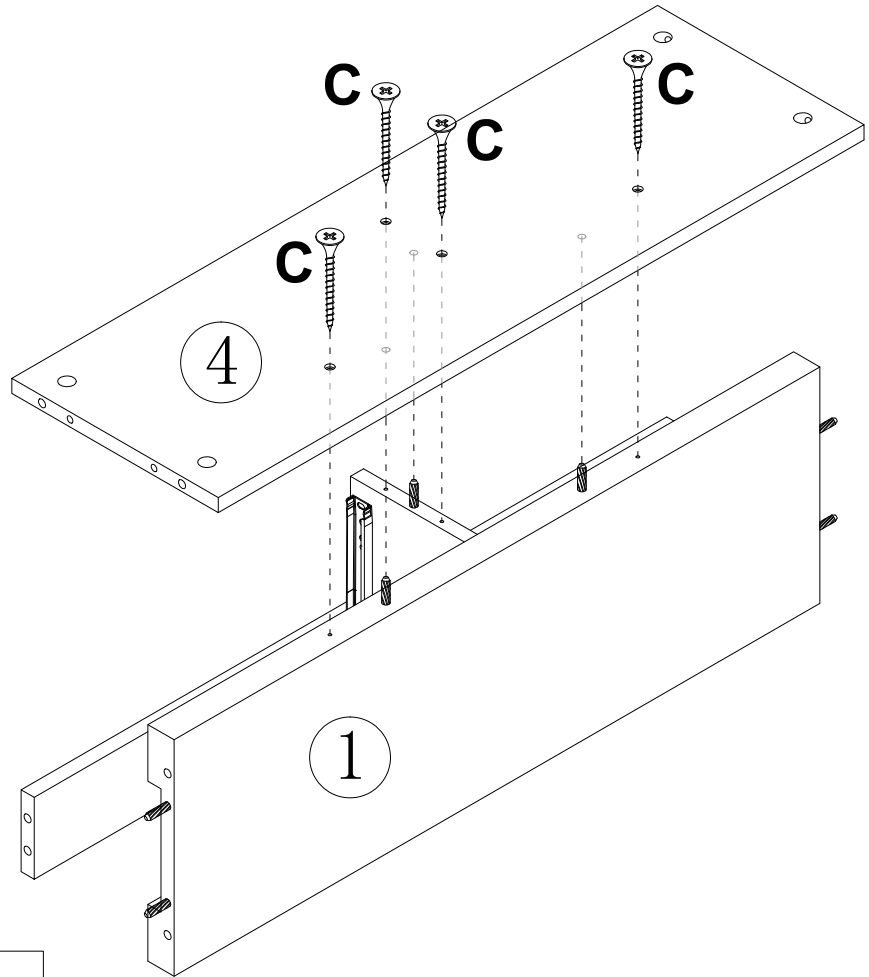
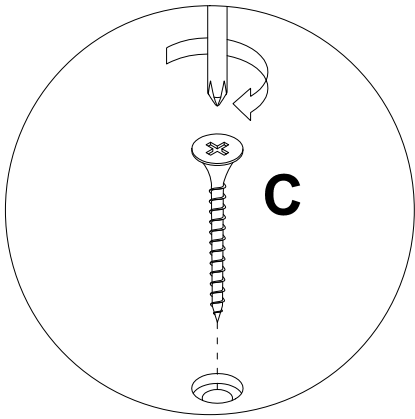


Step 7



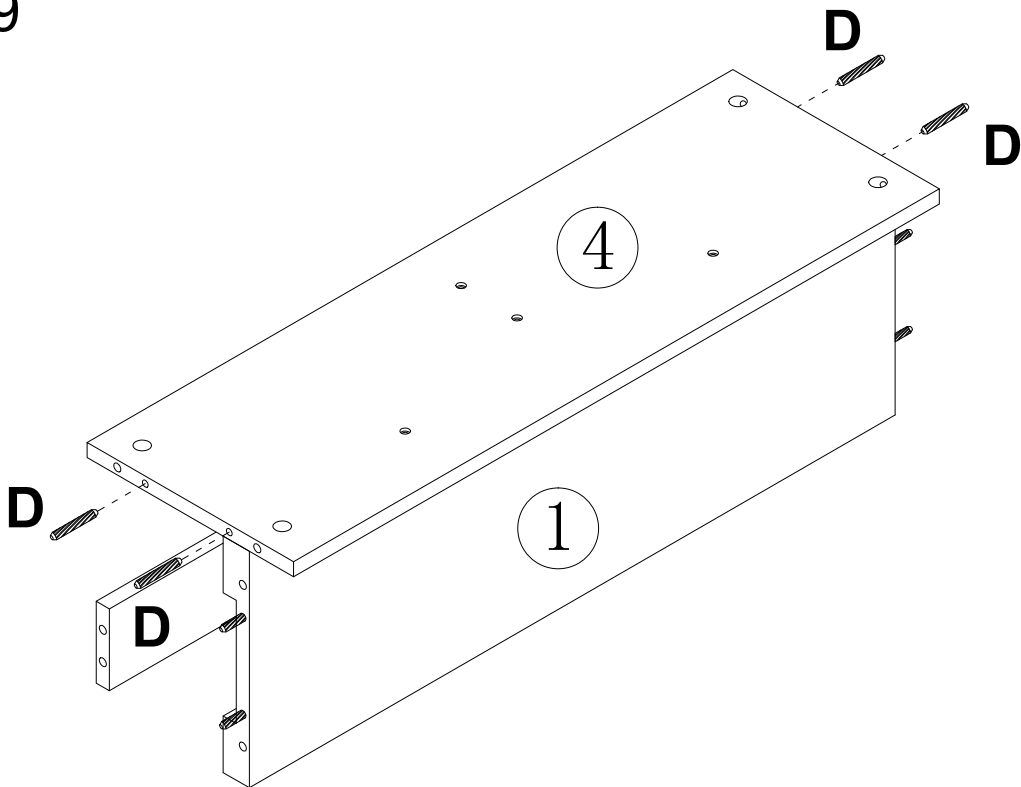
	C x 2PCS
---	-----------------

Step 8



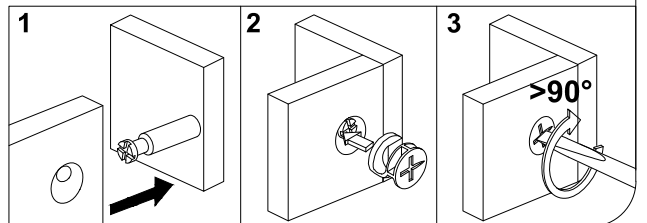
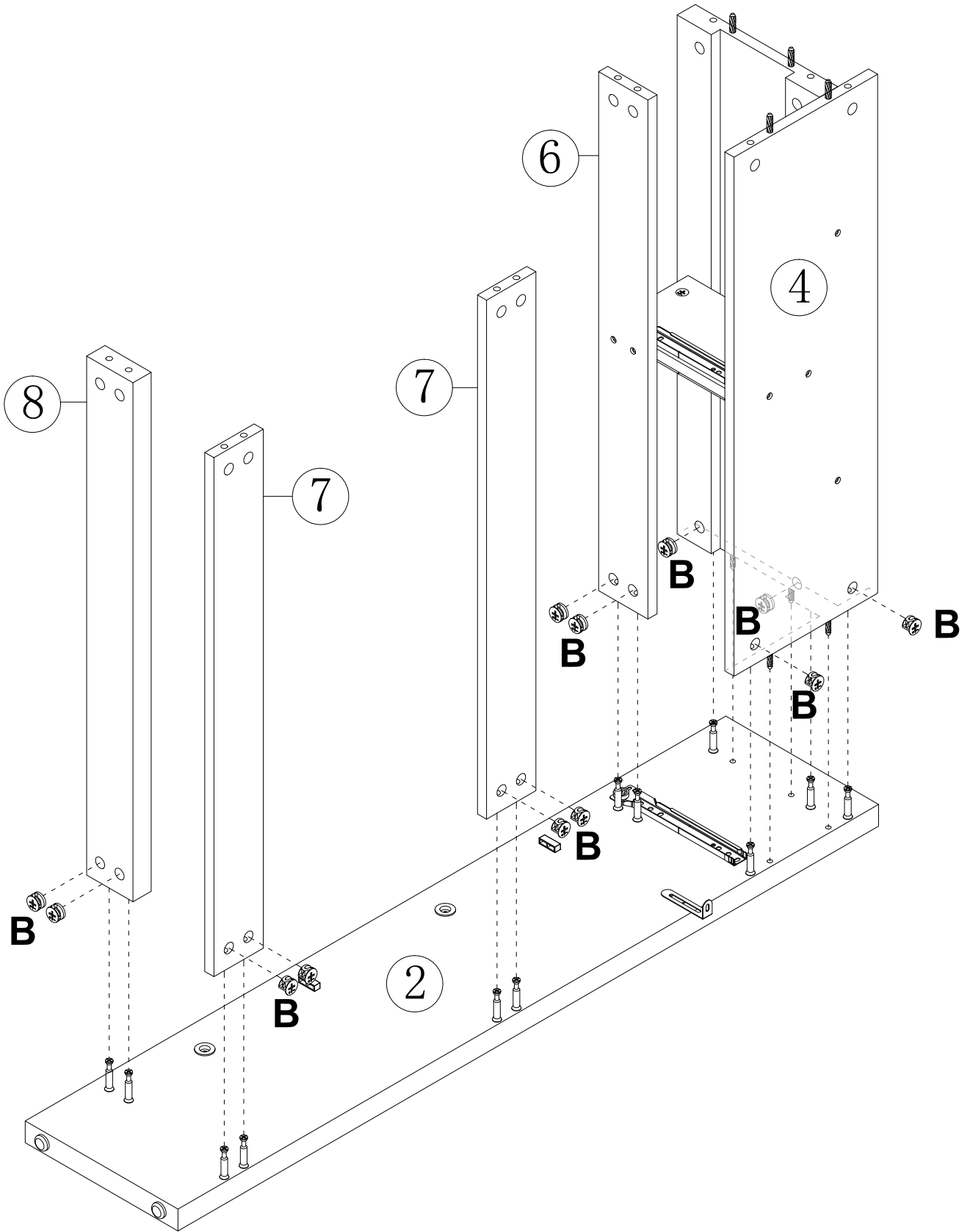
C x 4PCS

Step 9



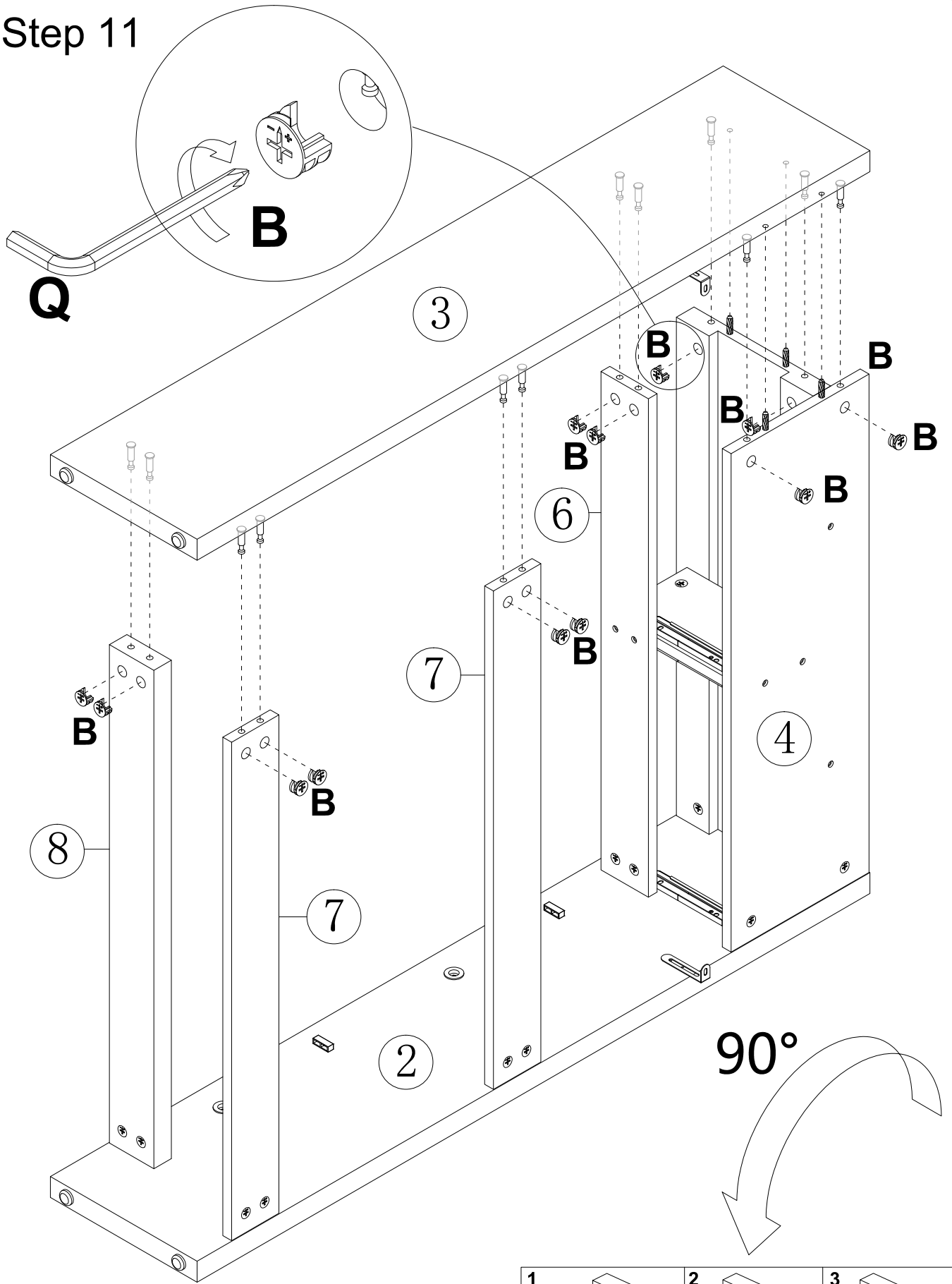
D x 4PCS



Step 10

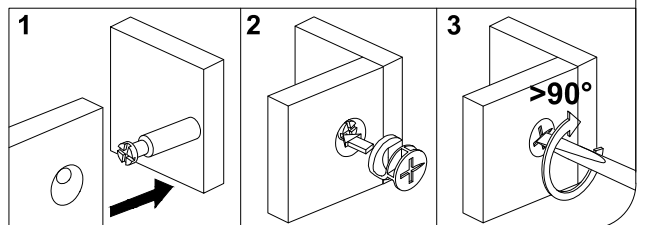


B x 12PCS

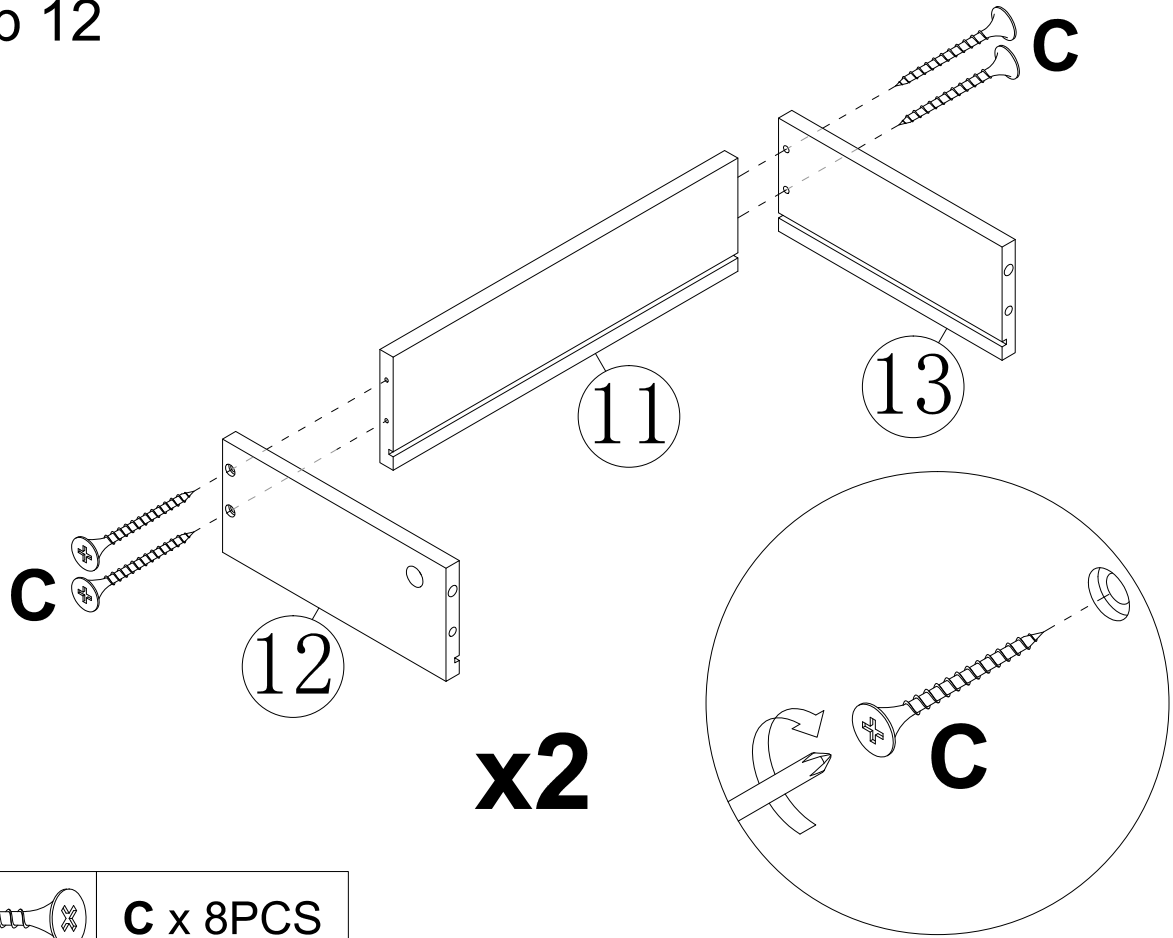
Step 11



	B x 12PCS
	Q x 1PC

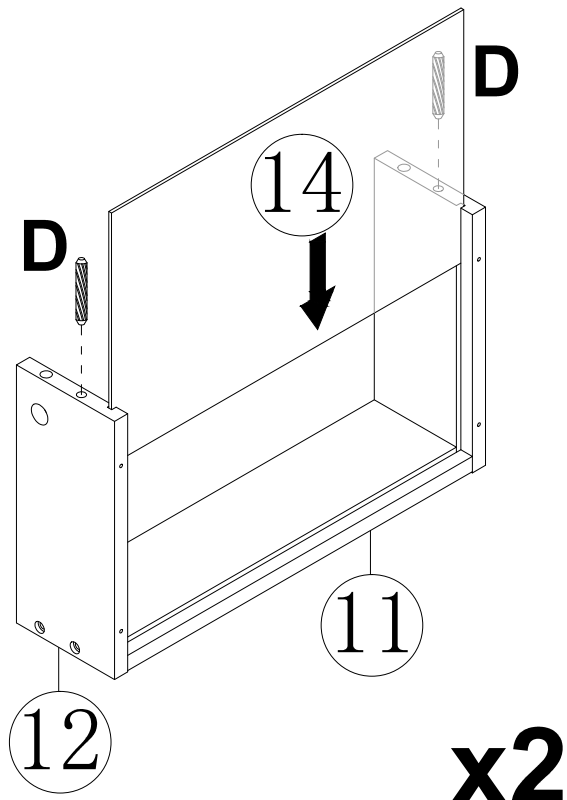


Step 12



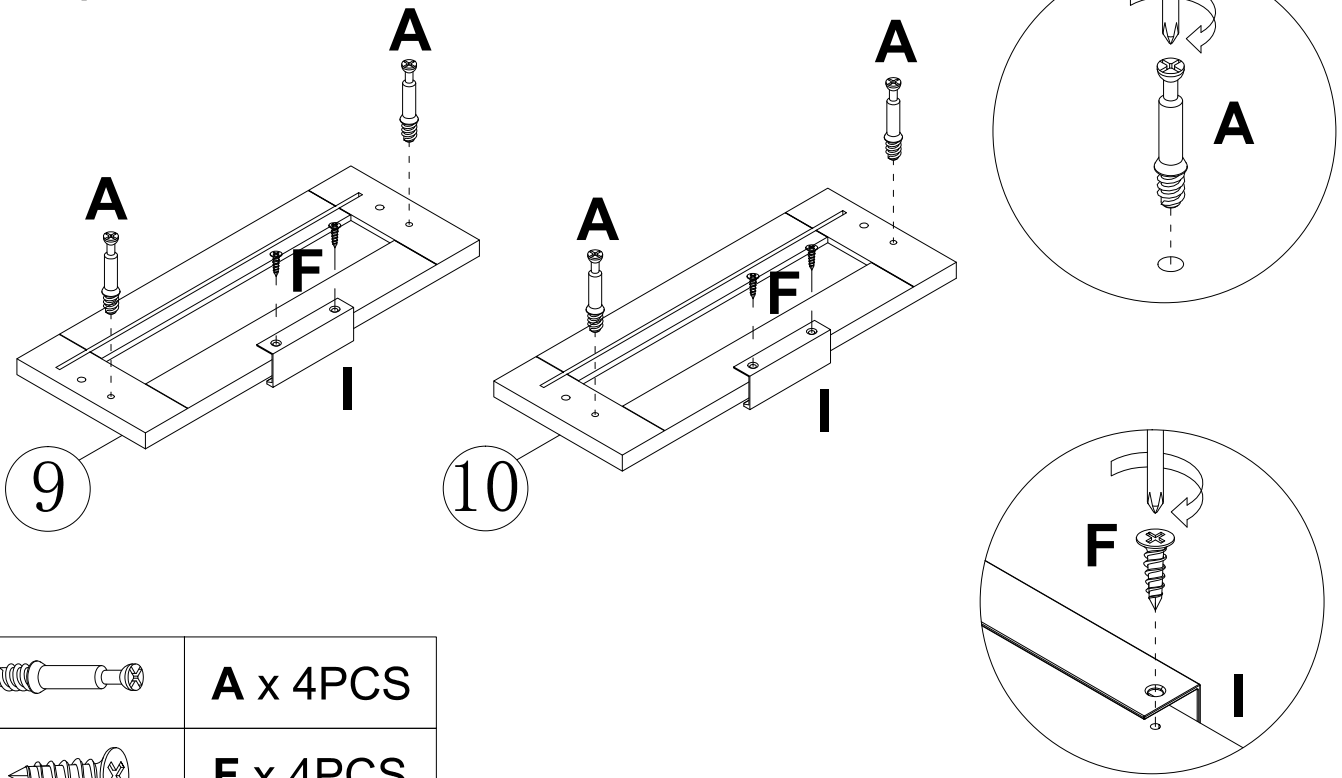
C x 8PCS

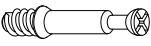

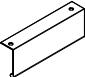
Step 13



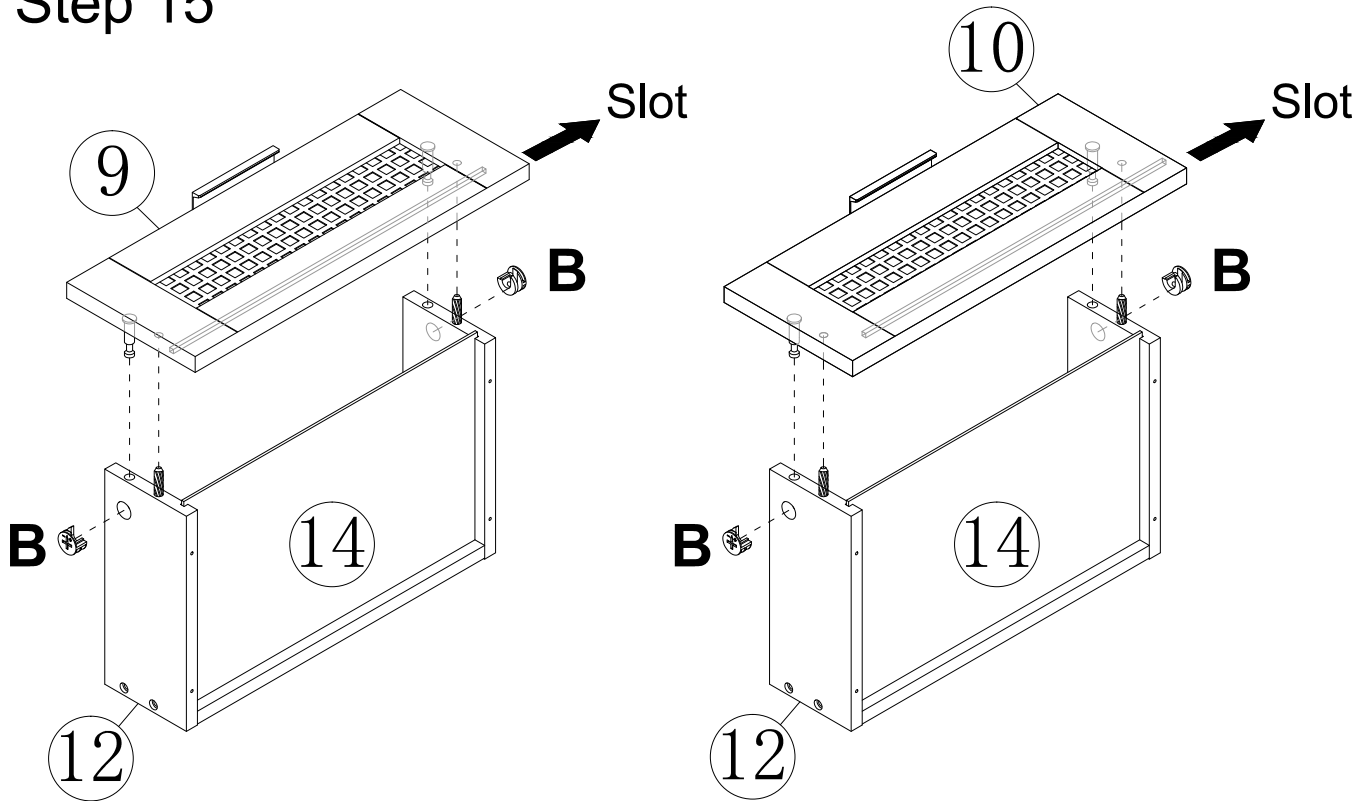
D x 4PCS


Step 14



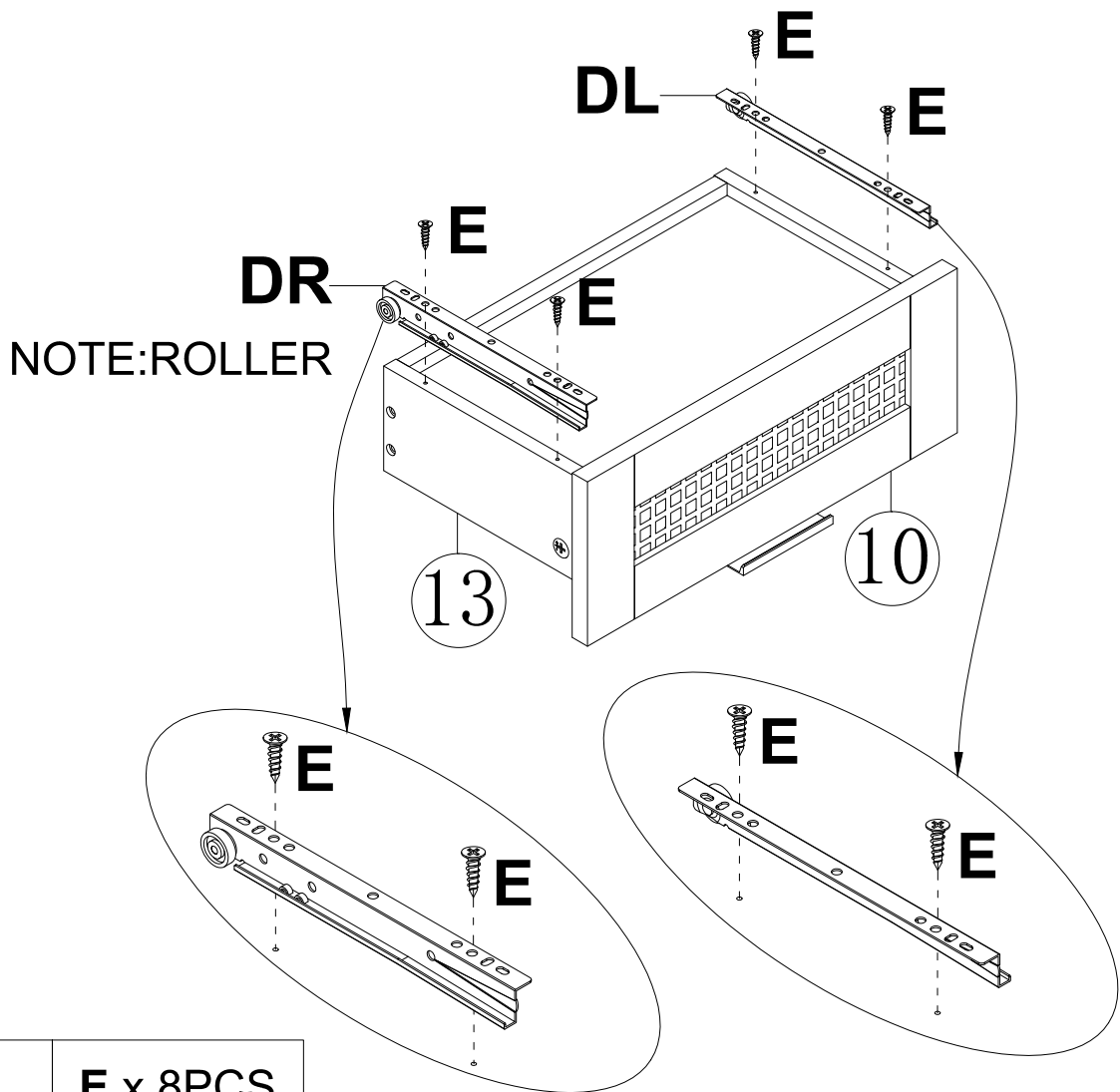
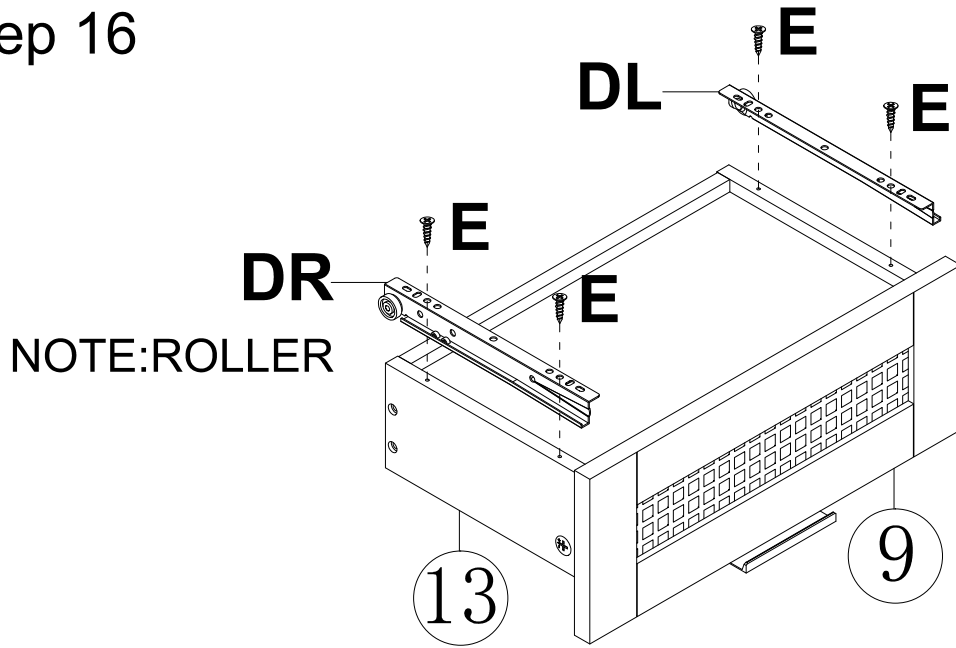
	A x 4PCS
	F x 4PCS
	I x 2PCS

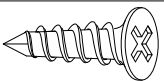
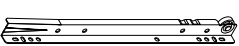
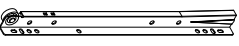
Step 15



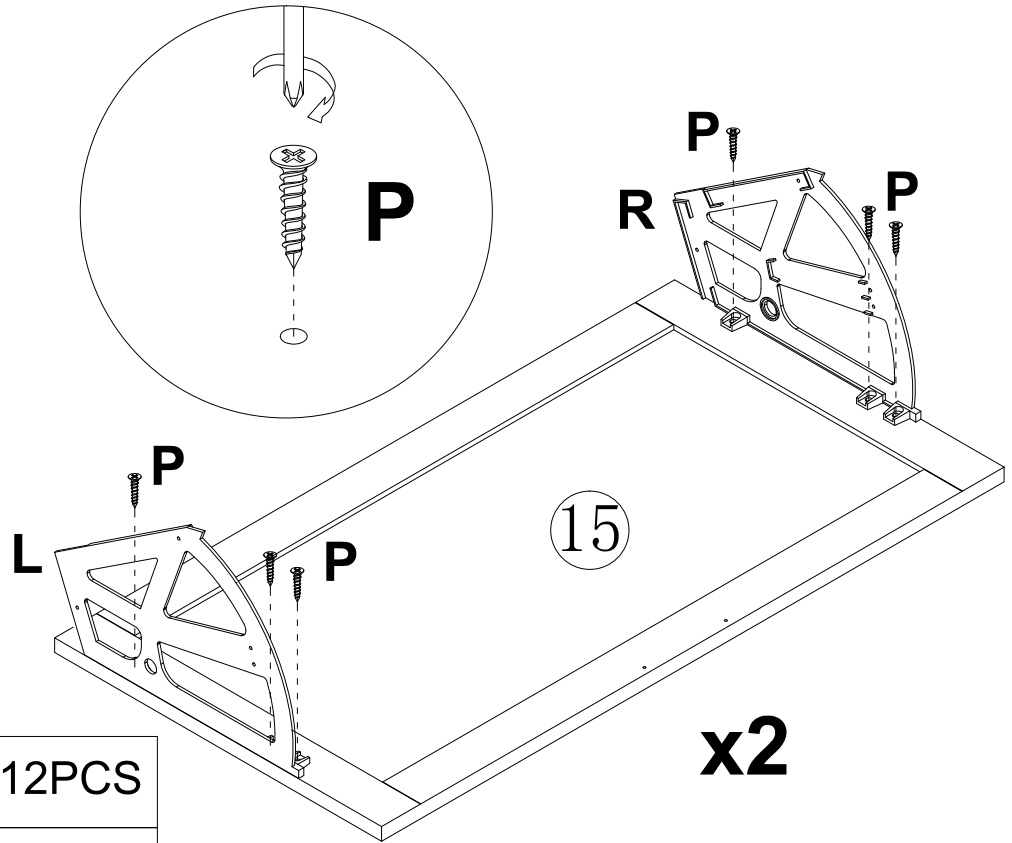
	B x 4PCS
---	-----------------




Step 16



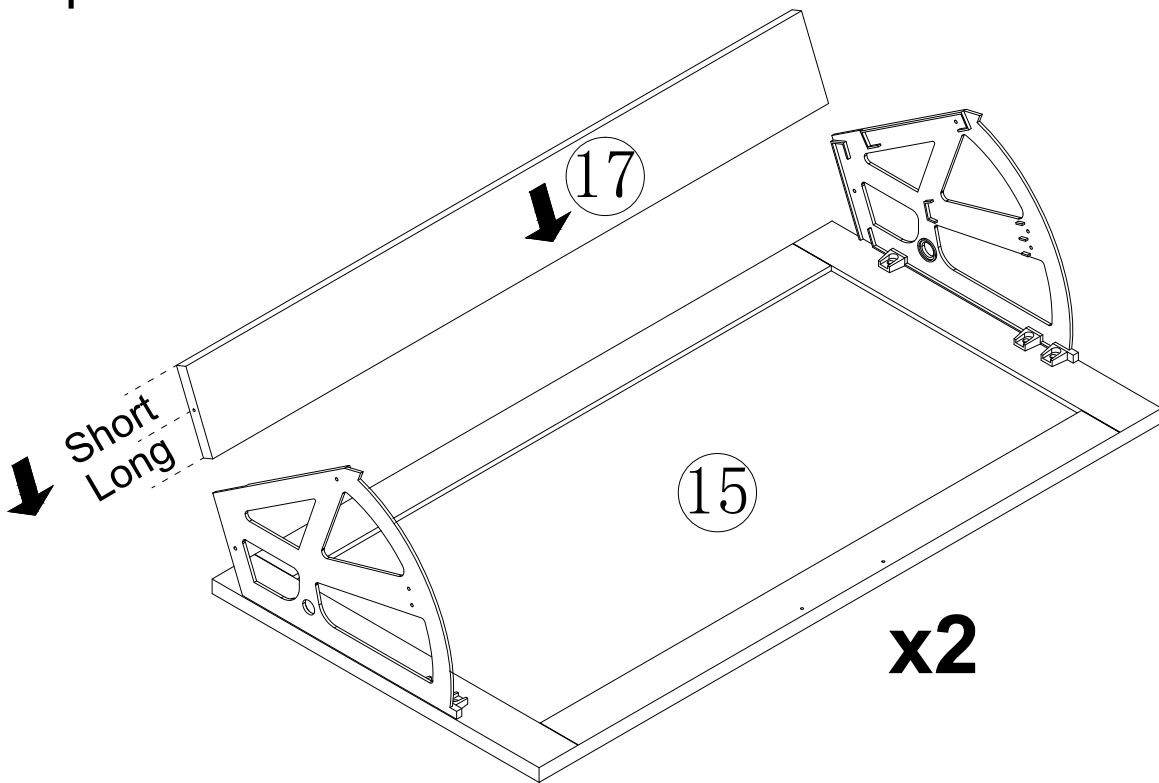
	E x 8PCS
	DL x 2PCS
	DR x 2PCS

Step 17

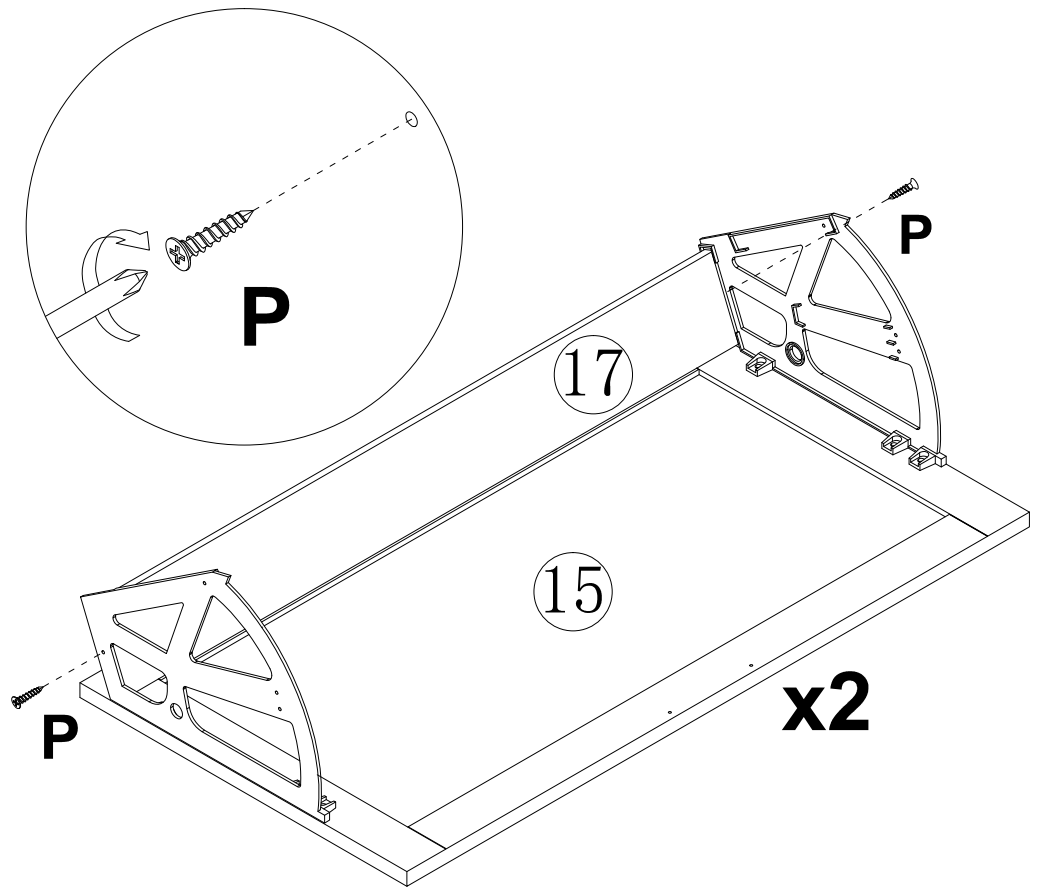


	P x 12PCS
	L x 2PCS
	R x 2PCS

Step 18

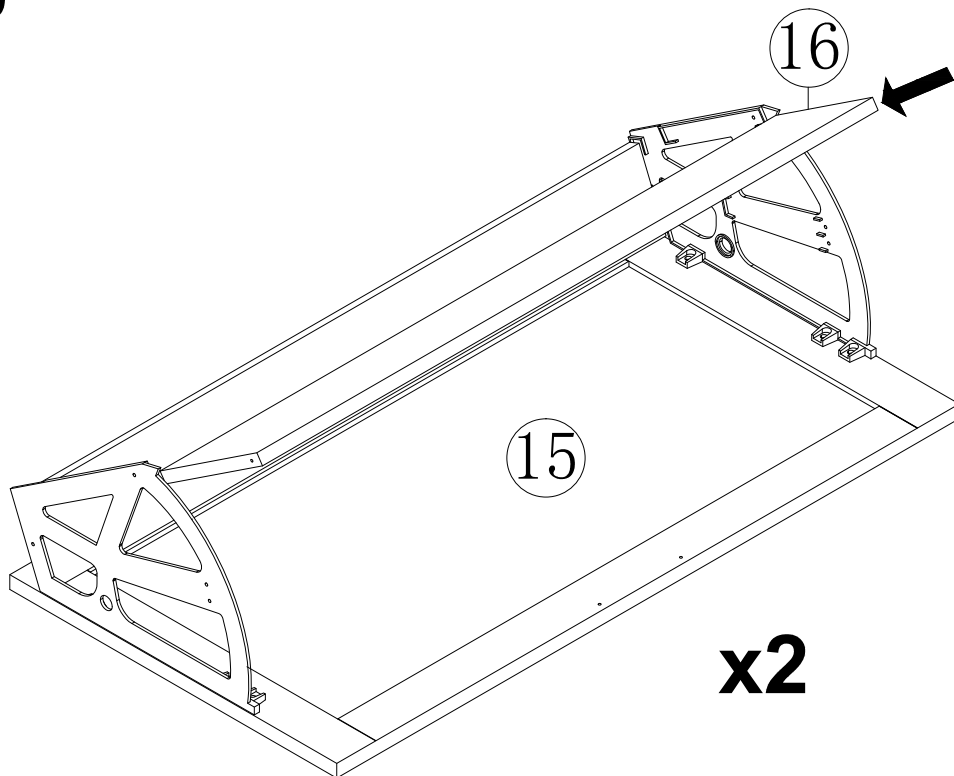


Step 19

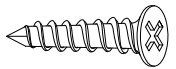
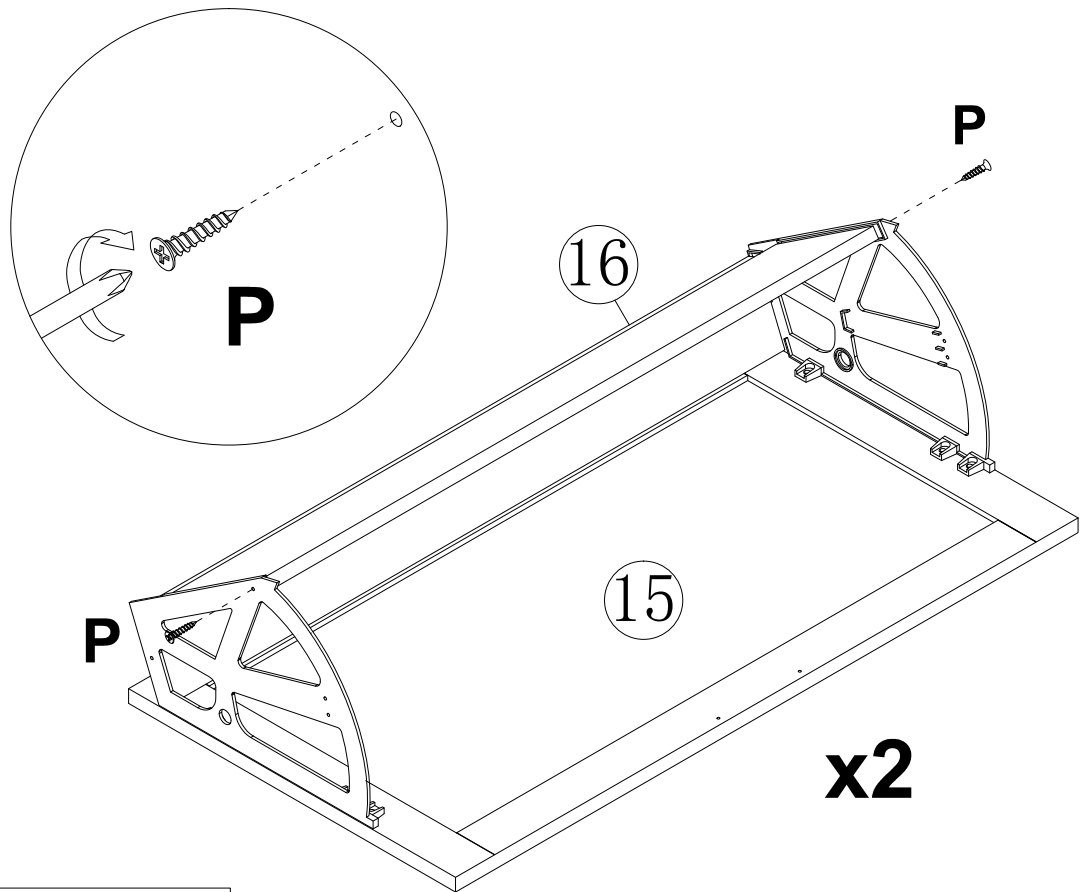


P x 4PCS

Step 20

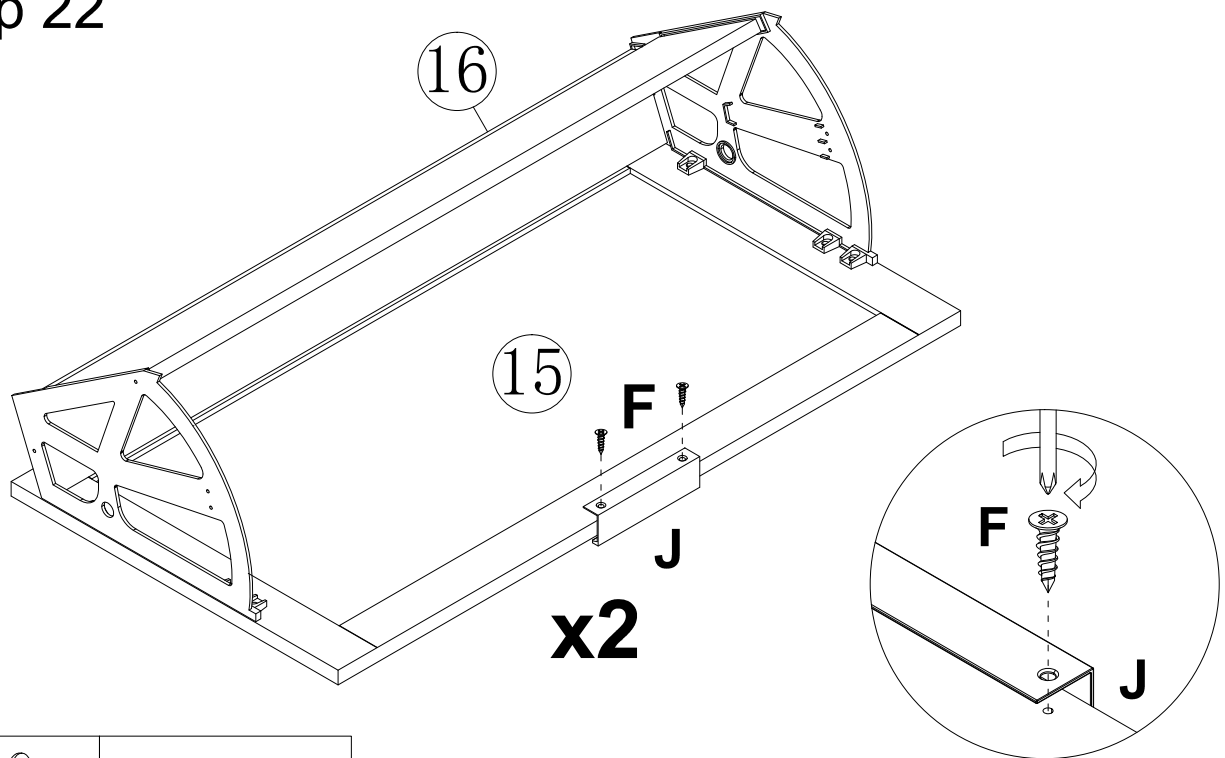


Step 21

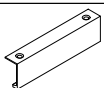


P x 4PCS

Step 22

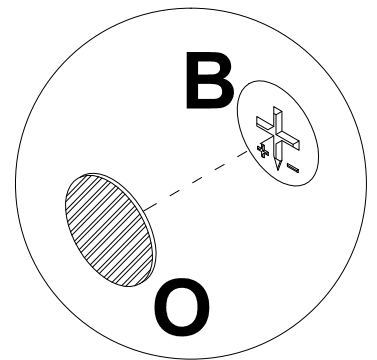
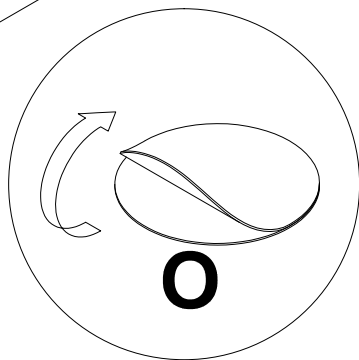
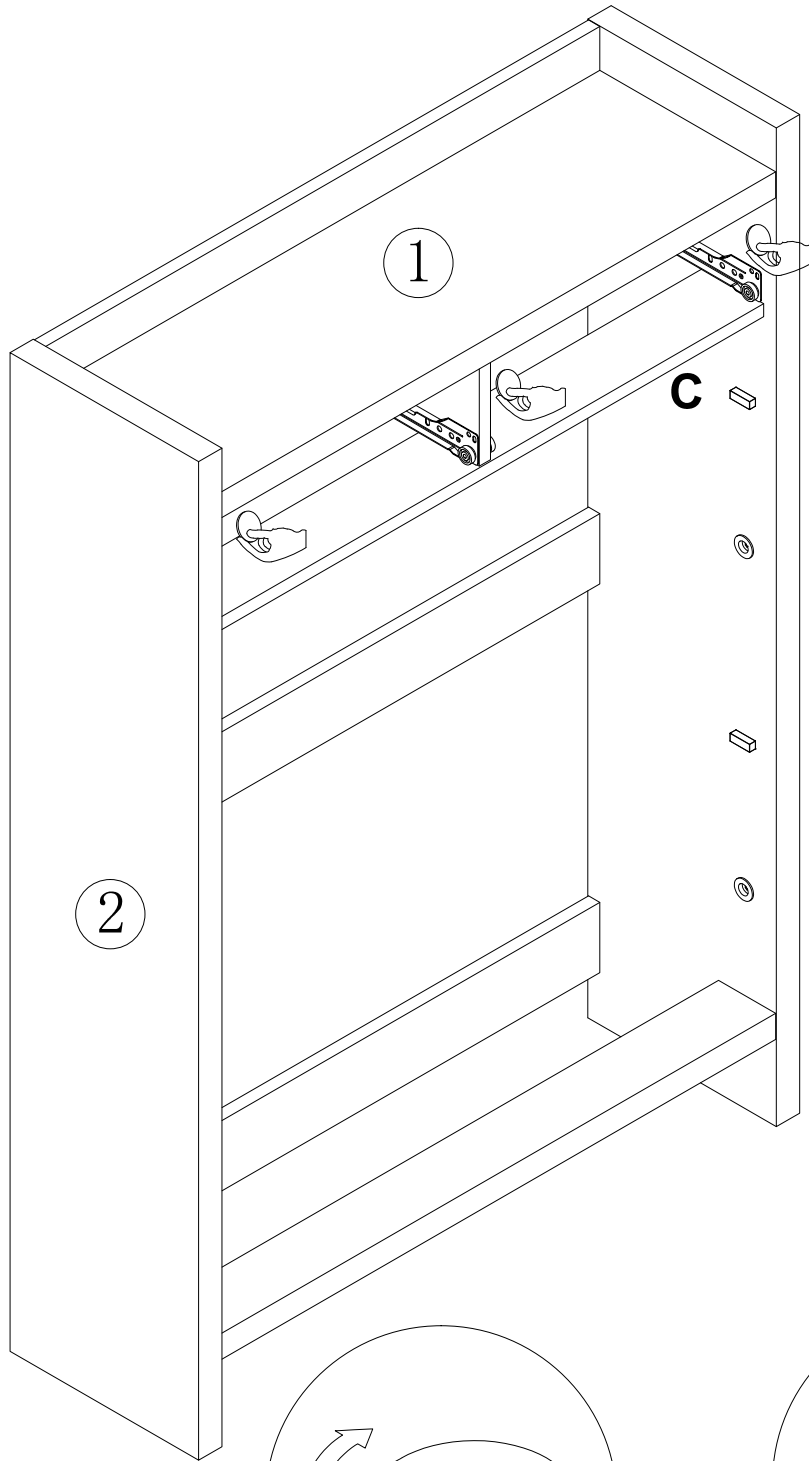


F x 4PCS



J x 2PCS

Step 23

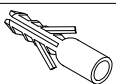
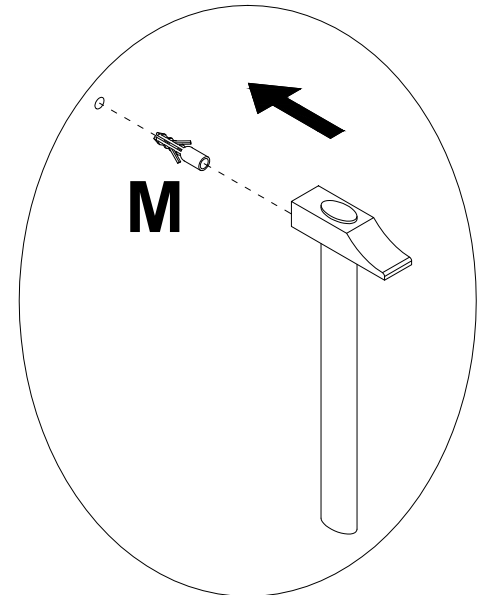
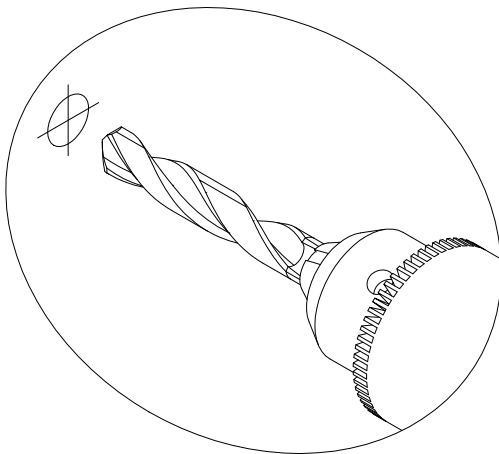
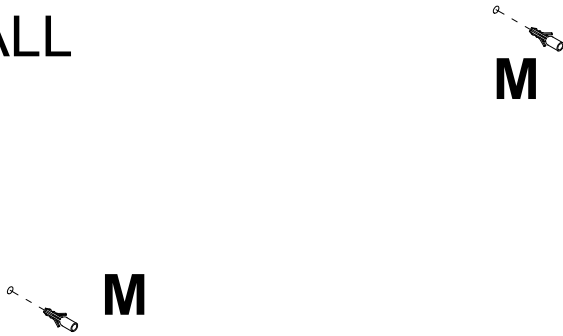


O x 26PCS

Step 24

Drill 2 holes on the wall at the required position for anti-falling device installation.

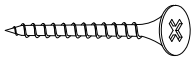
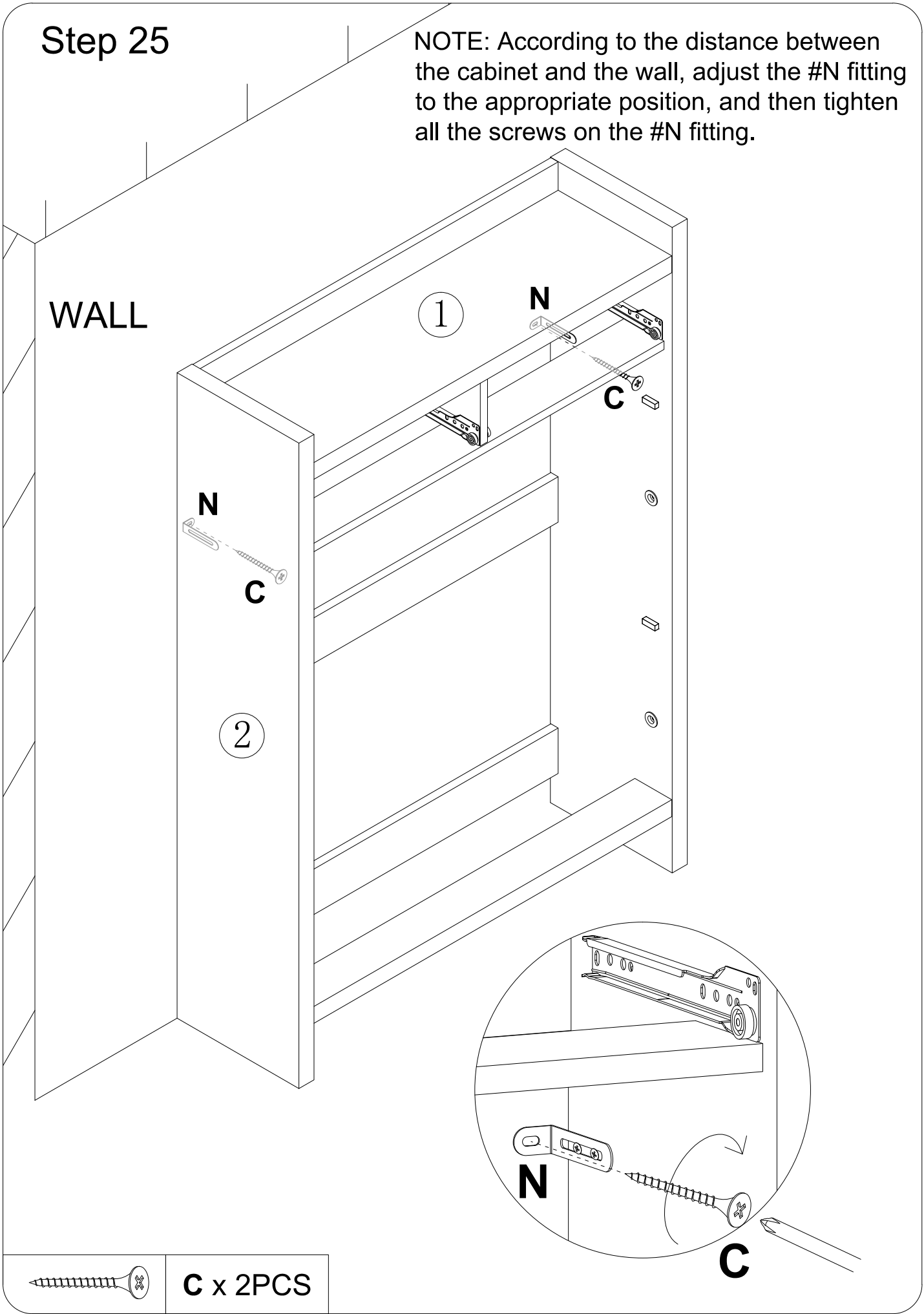
WALL



M x 2PCS

Step 25

NOTE: According to the distance between the cabinet and the wall, adjust the #N fitting to the appropriate position, and then tighten all the screws on the #N fitting.



C x 2PCS

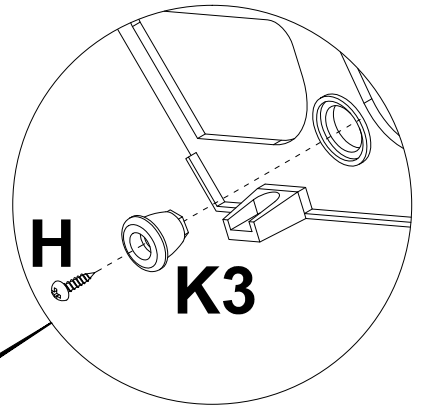
Step 26

Note: This step is recommended for two people to complete together.

WALL

1

2



H

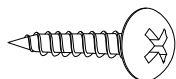
K3

K3

H



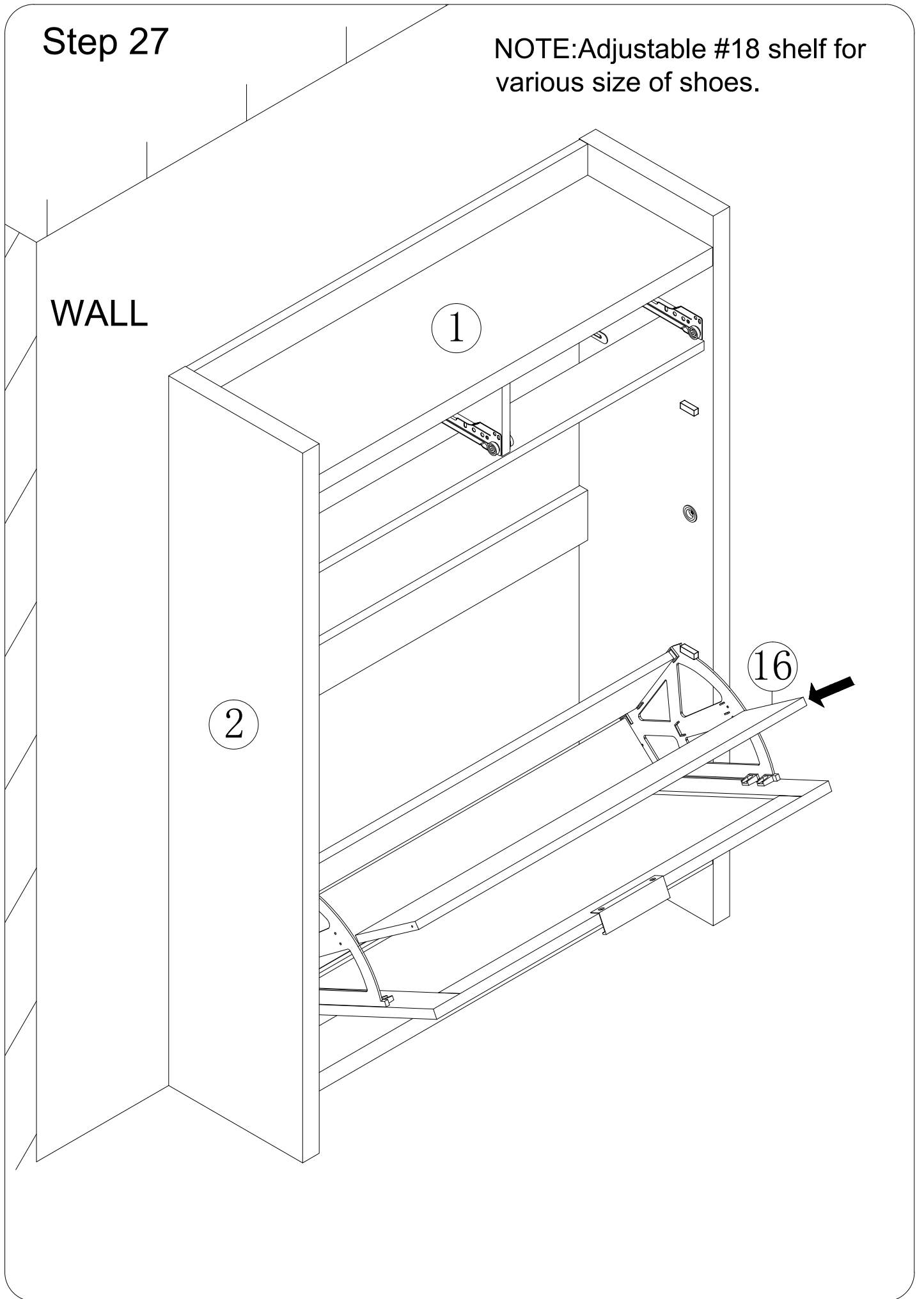
K3 x 2PCS



H x 2PCS

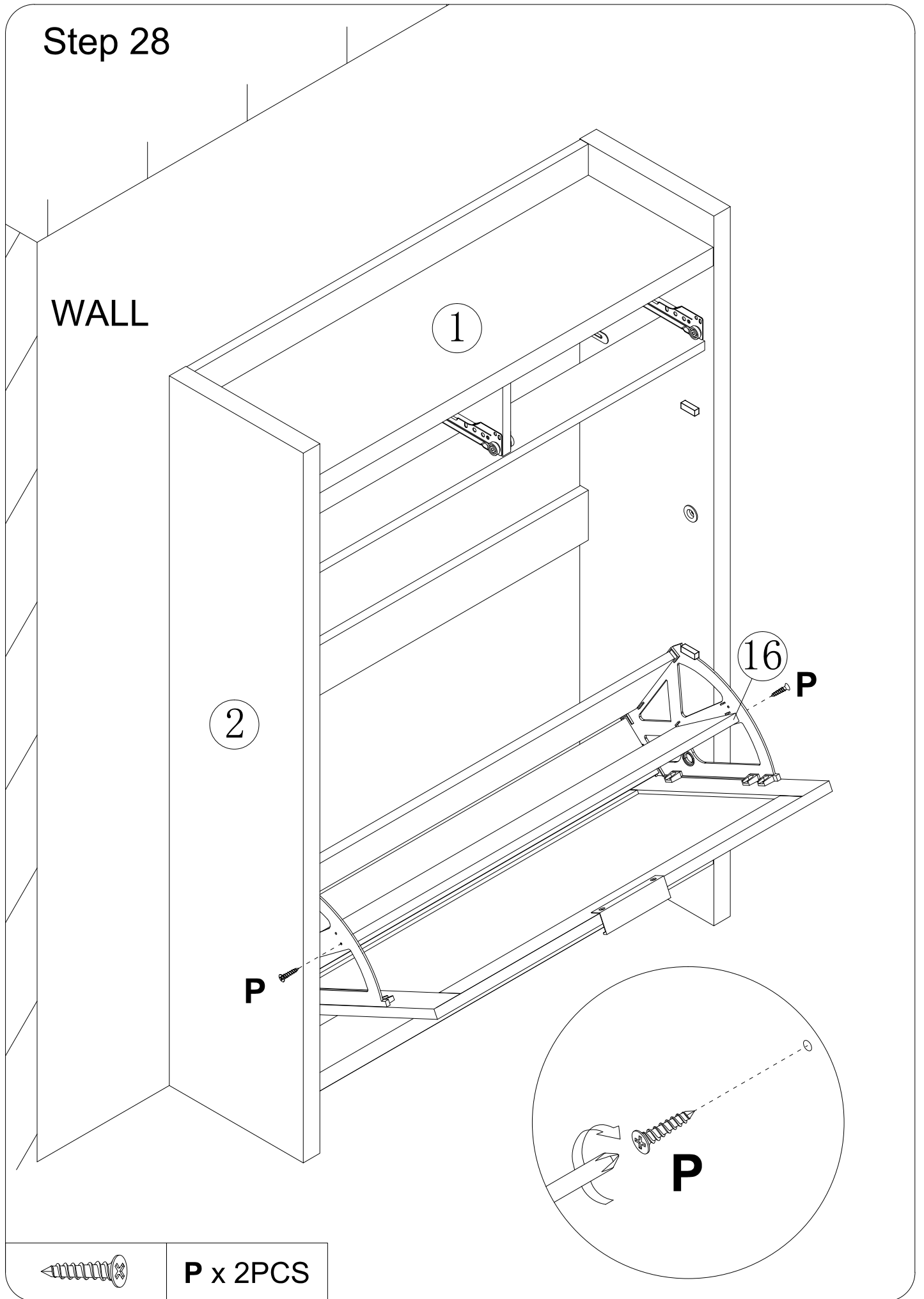
Step 27

NOTE: Adjustable #18 shelf for various size of shoes.



Step 28

WALL

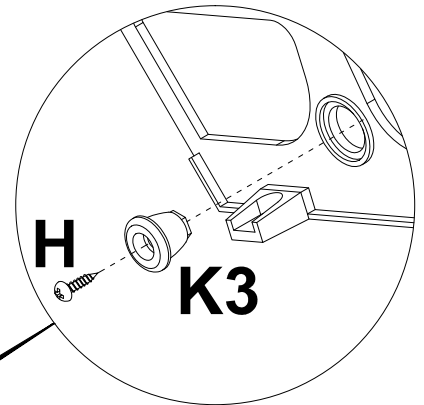
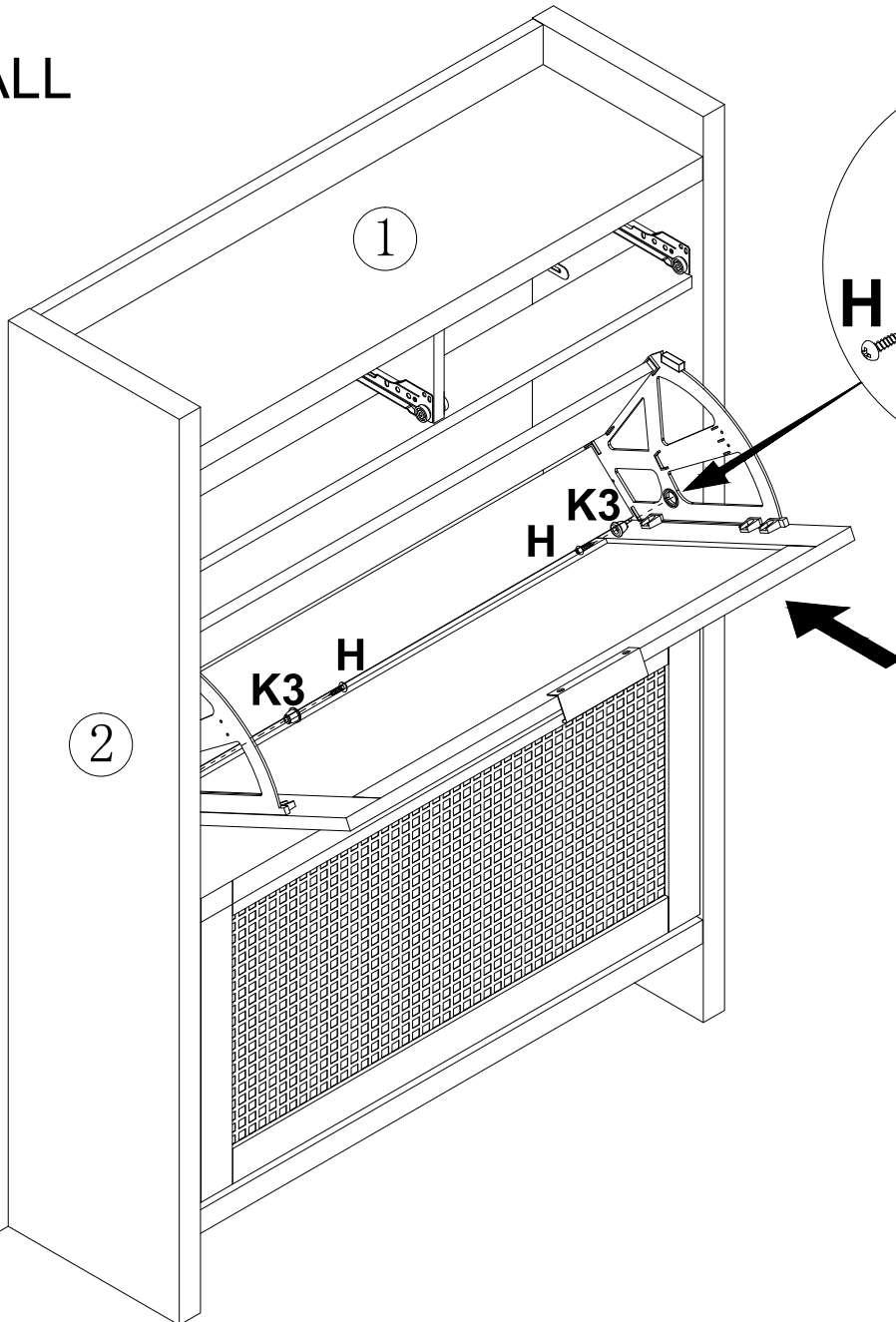


P x 2PCS

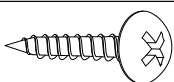
Step 29

Note: This step is recommended for two people to complete together.

WALL



K3 x 2PCS



H x 2PCS

Step 30

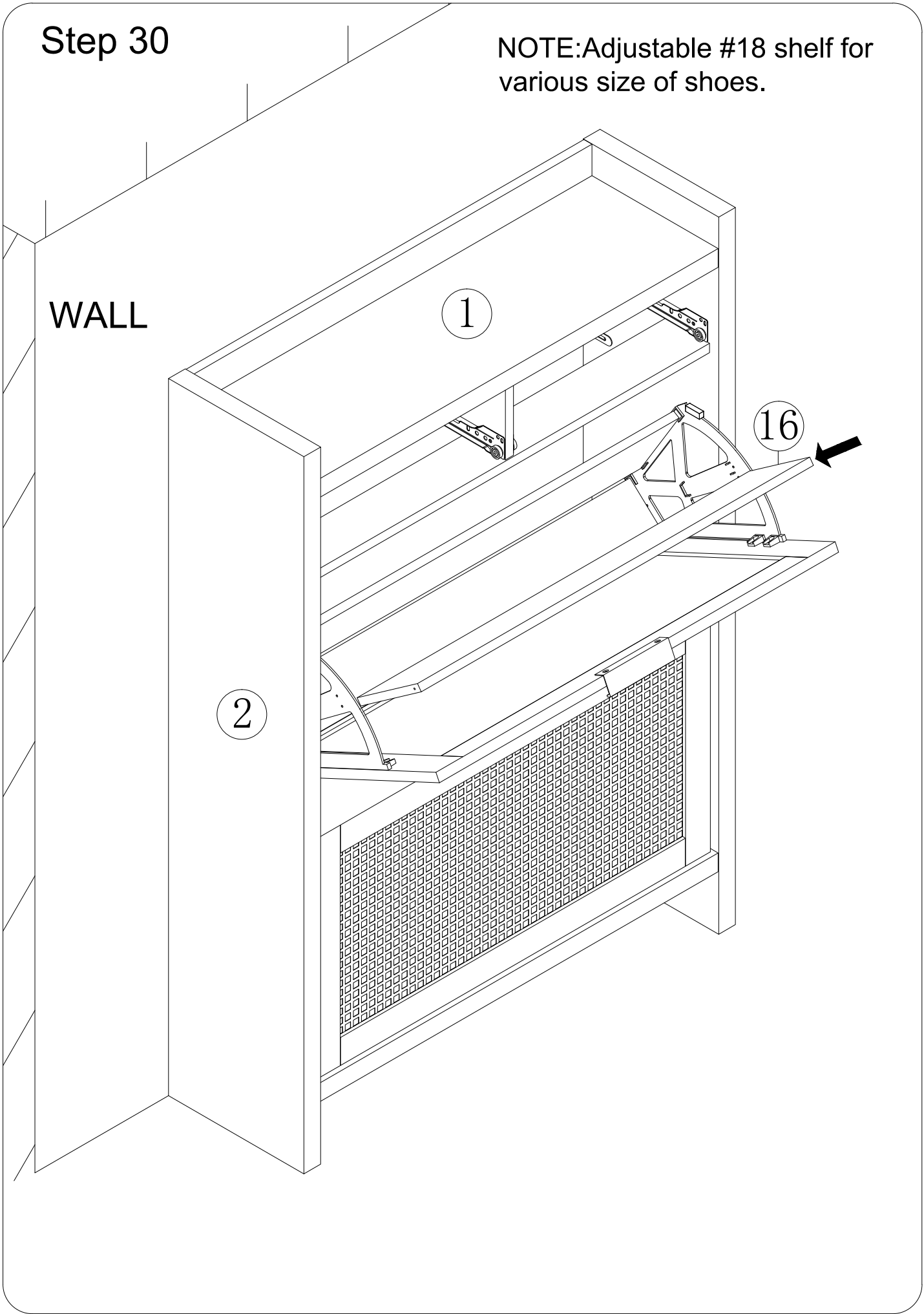
NOTE: Adjustable #18 shelf for various size of shoes.

WALL

1

2

16



Step 31

WALL

1

2

16

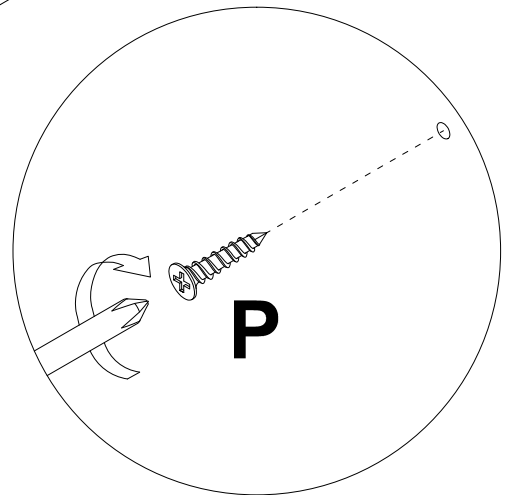
P

P

P



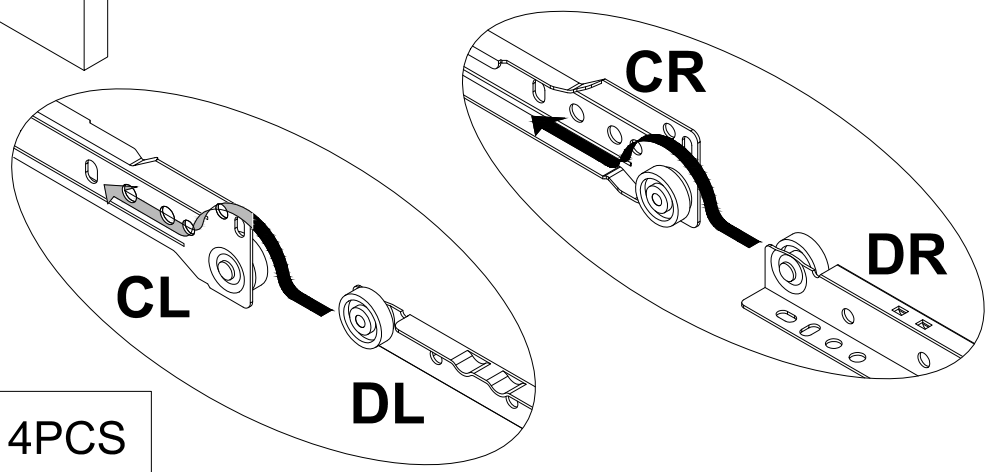
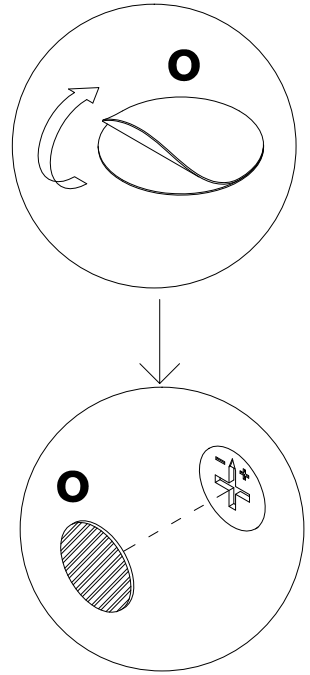
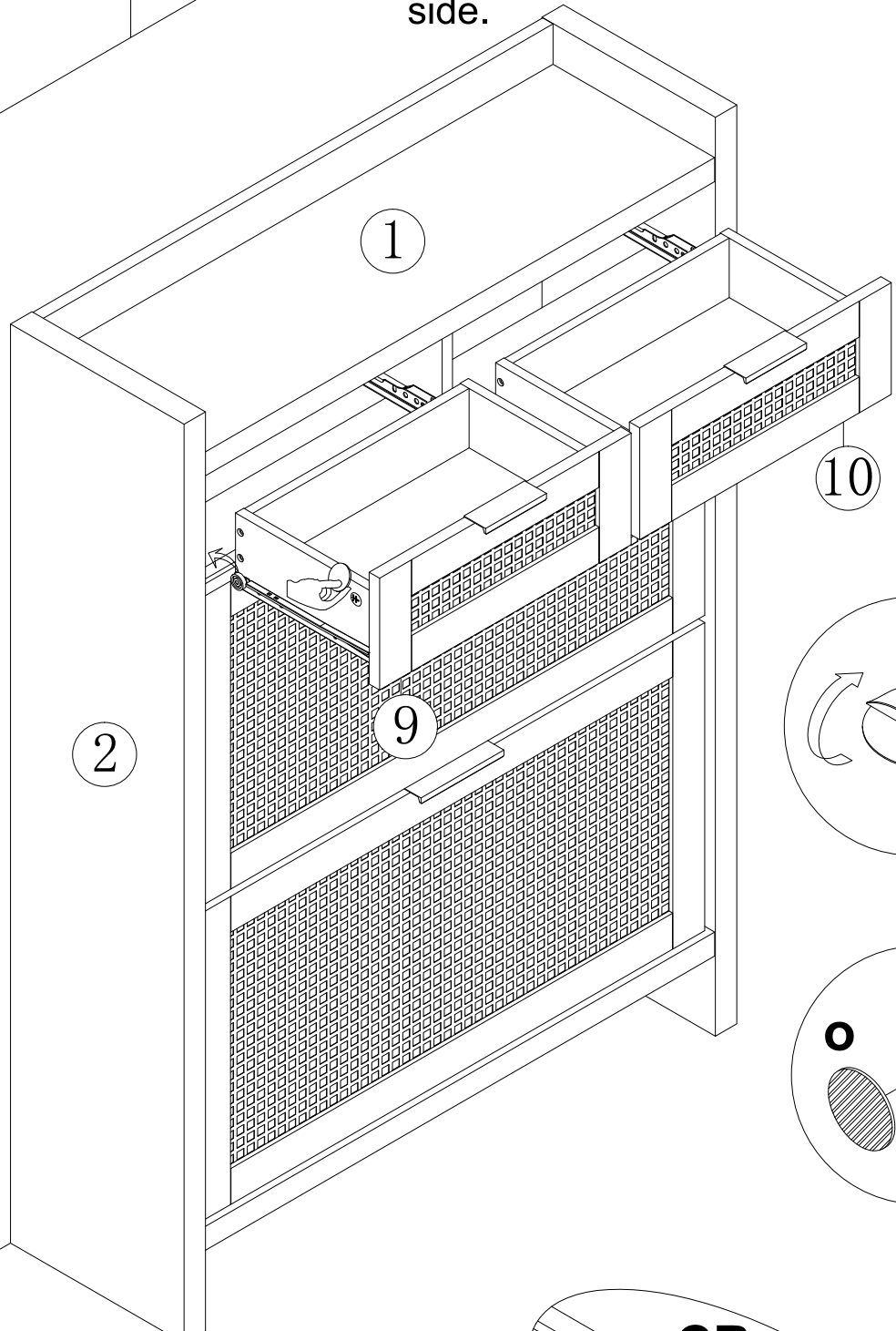
P x 2PCS



Step 32

Note: Install the #9 drawer on the left side and the #10 drawer on the right side.

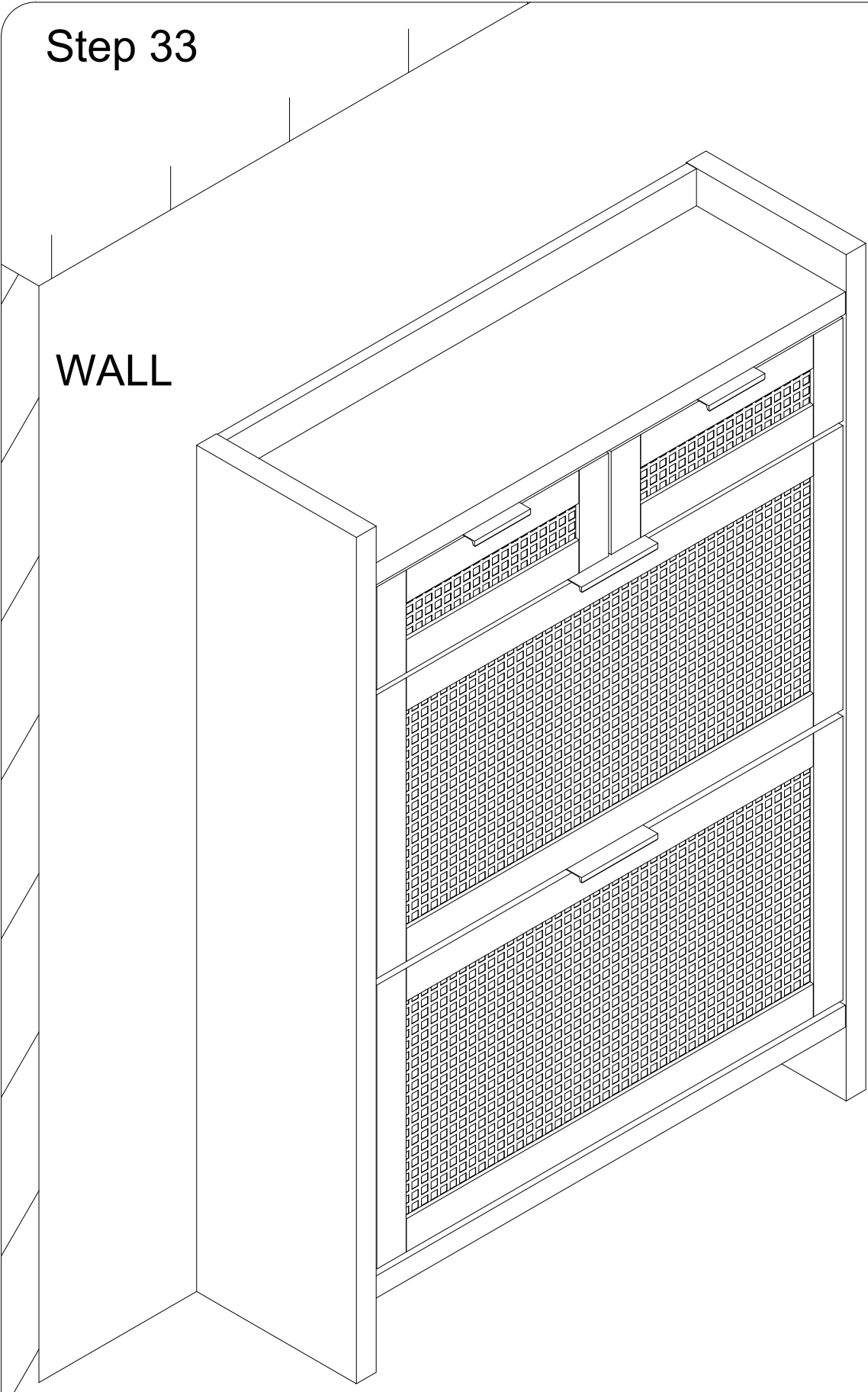
WALL



O x 4PCS

Step 33

WALL





WARNING



Children have died from furniture tipover. To reduce the risk of furniture tipover:

- **ALWAYS** install Anti-tip device provided.
- **NEVER** put a TV on this product.
- **NEVER** allow children to stand, climb or hang on drawers, doors, or shelves.
- **NEVER** open more than one drawer at a time.
- Place heaviest items in the lowest drawers.

