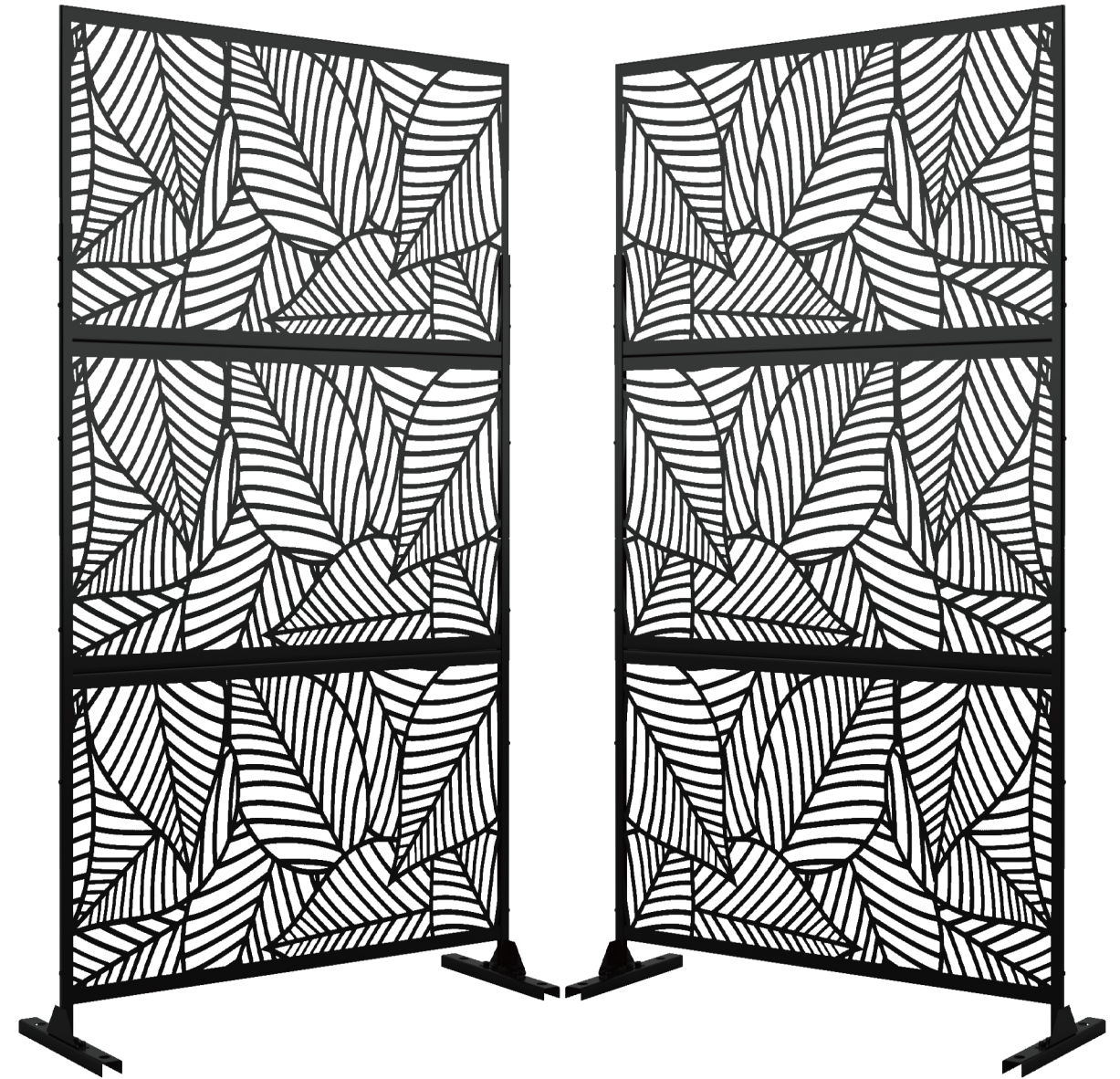


Outdoor Privacy Screen



Buffalo warehouse

Address: Bedell Rd,#363 Lang Blvd, Grand Island, NY 14072, USA

Contact: Luven

Tel: 617-701-7244

Email: liuru@703biz.com



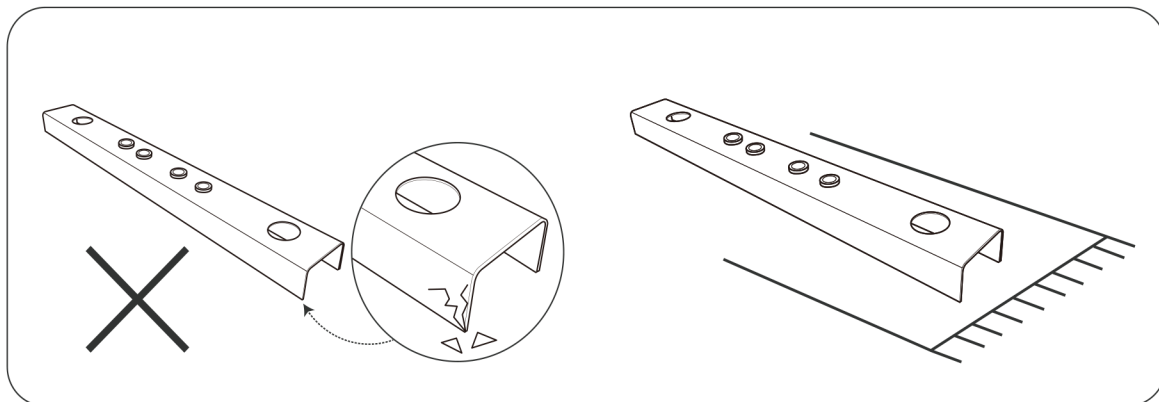
If the privacy screen will be used in a strong wind area, we highly recommend you using four Hex-Head Sleeve Anchors to fix the privacy screen on solid ground.

Before assembling, we recommend:

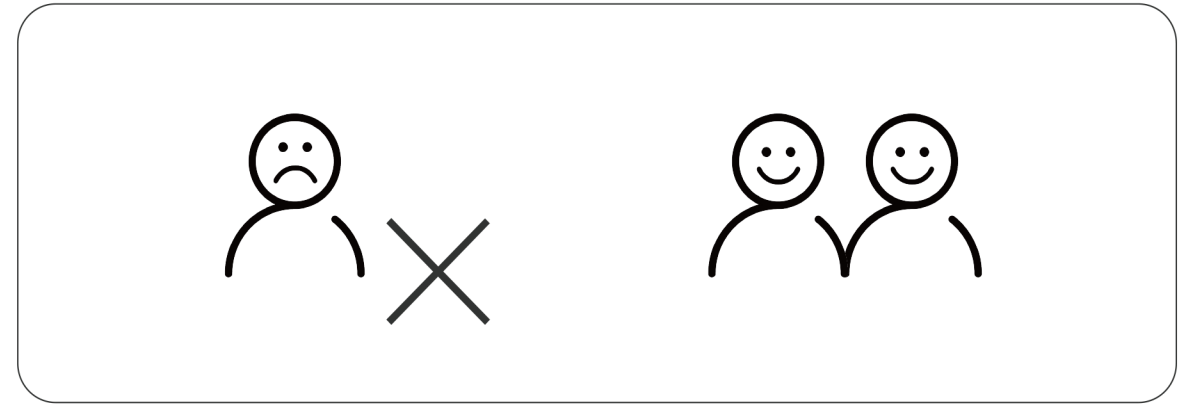
1. Wear Gloves.



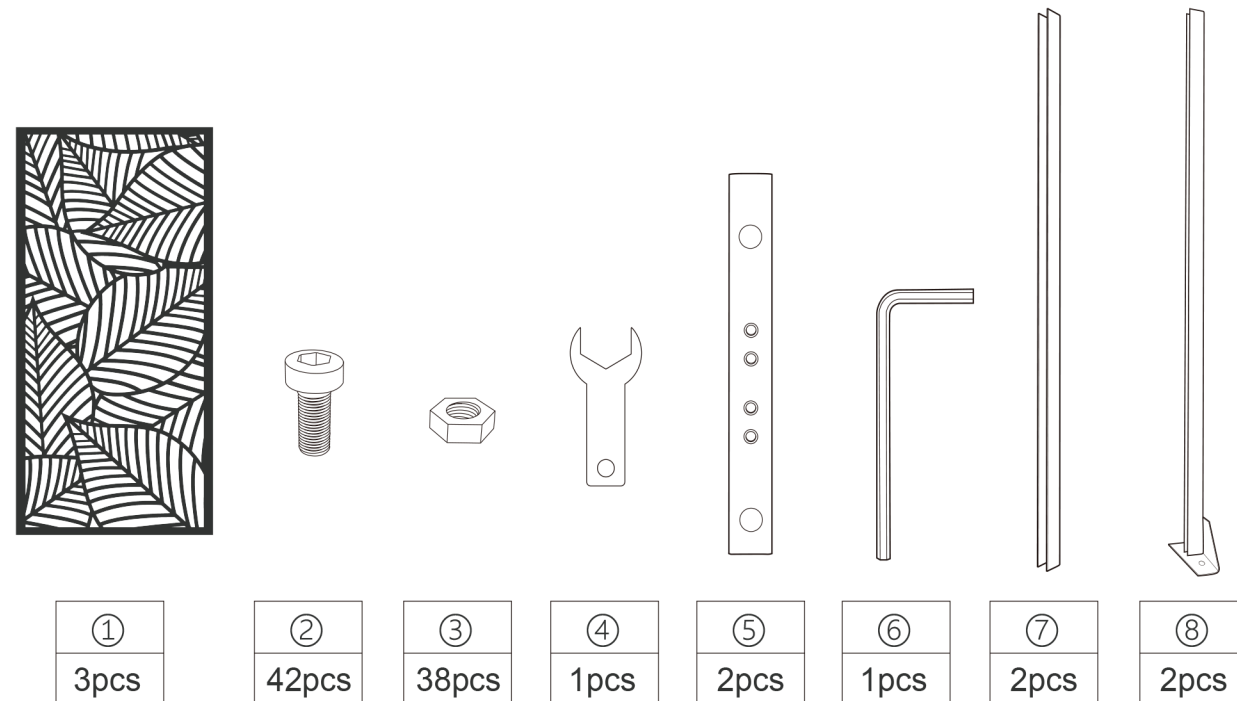
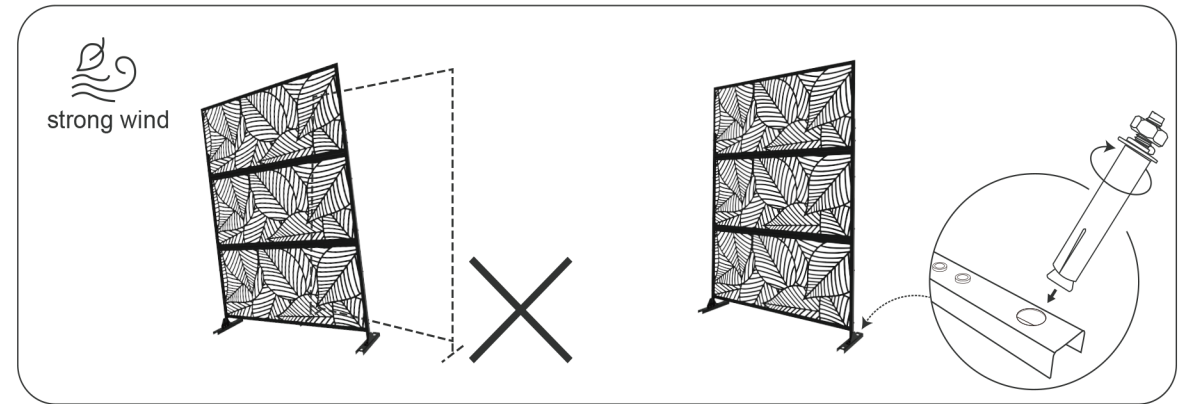
2. Don't assemble the privacy screen on a Hard Surface.



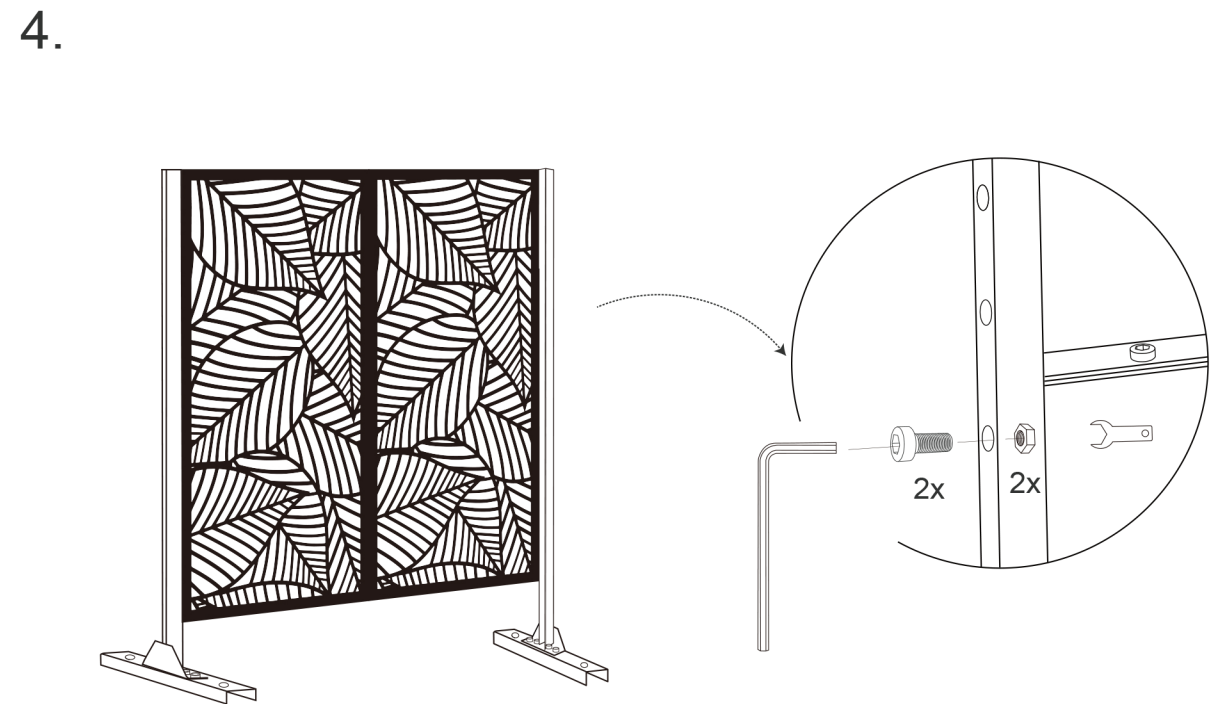
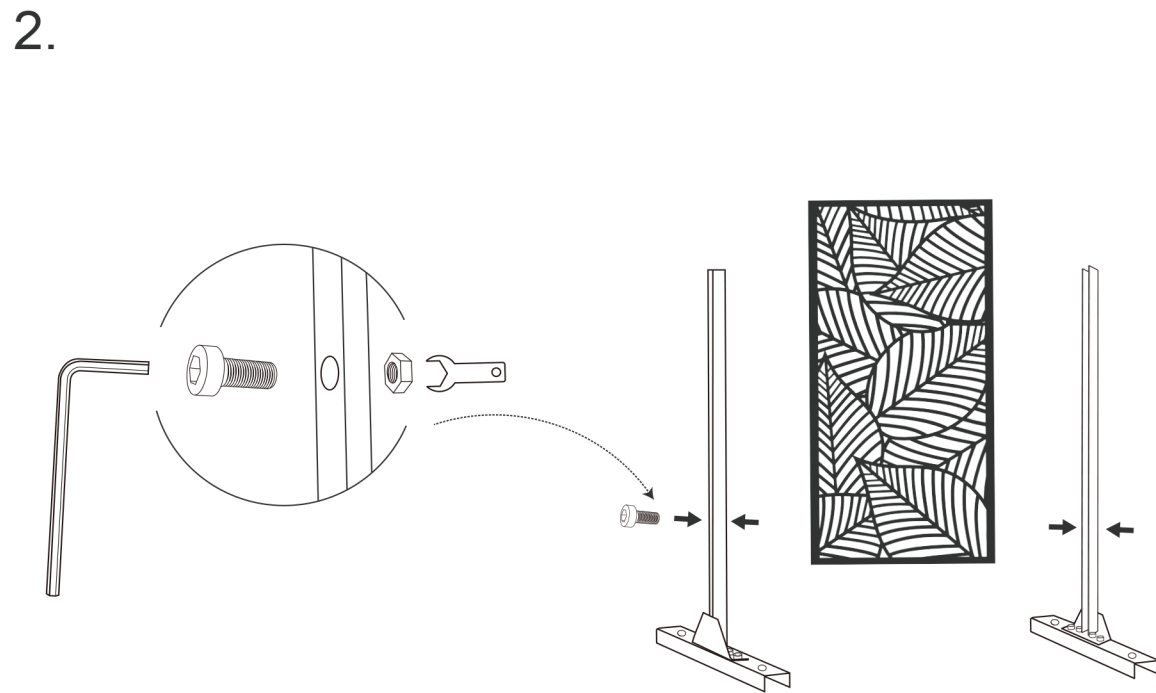
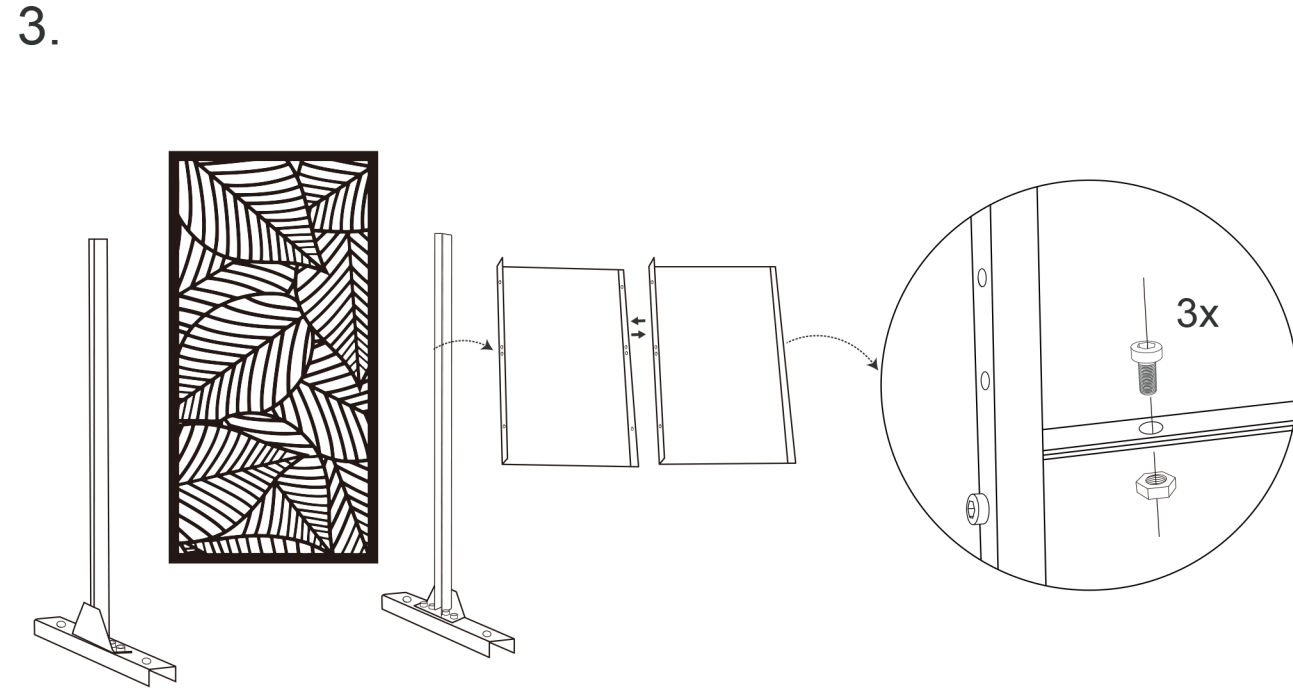
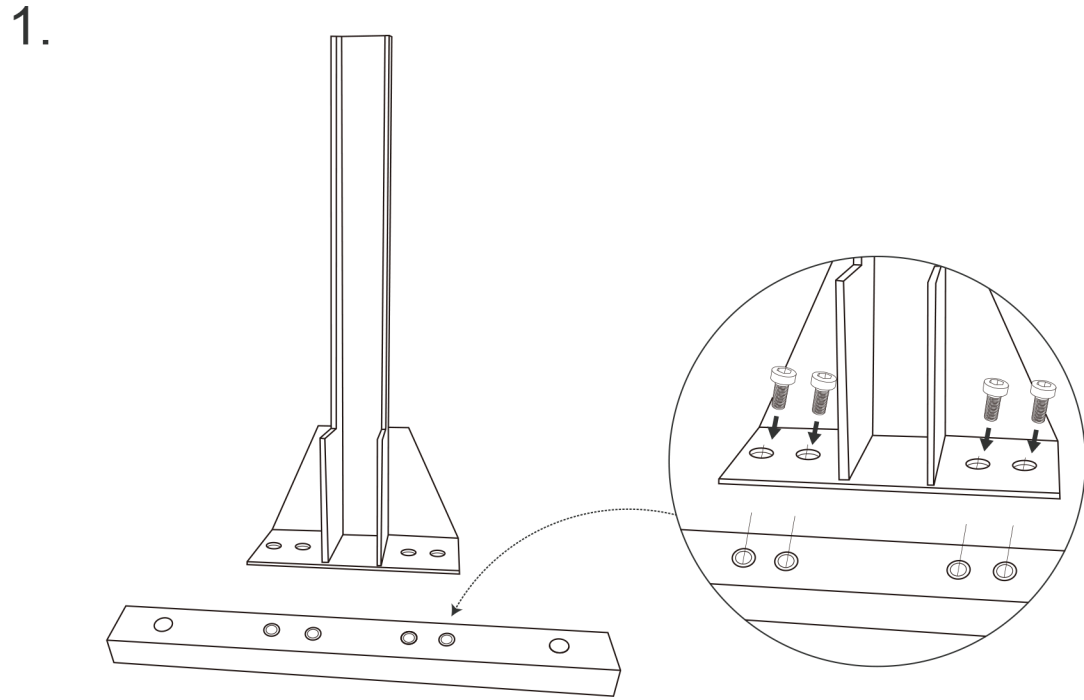
3. Ask for a Helping Hand.



4. Use Hex-Head Sleeve Anchors to fix the privacy screen on solid ground if necessary.

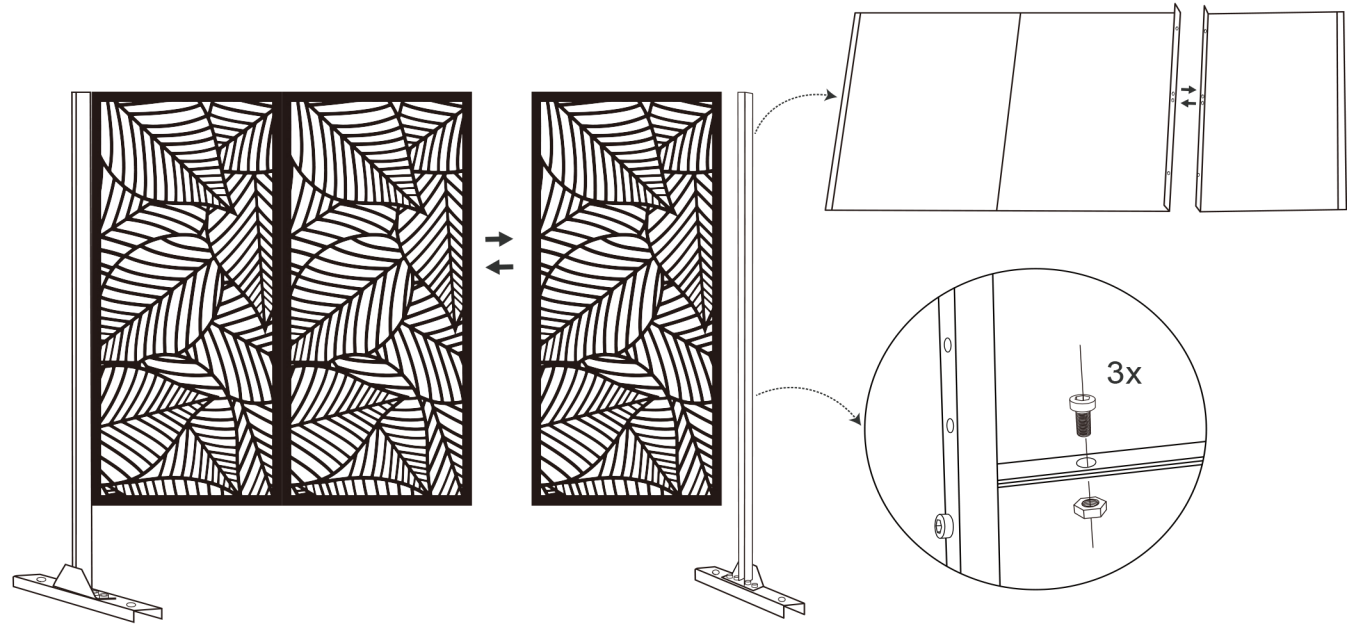


Vertically Install

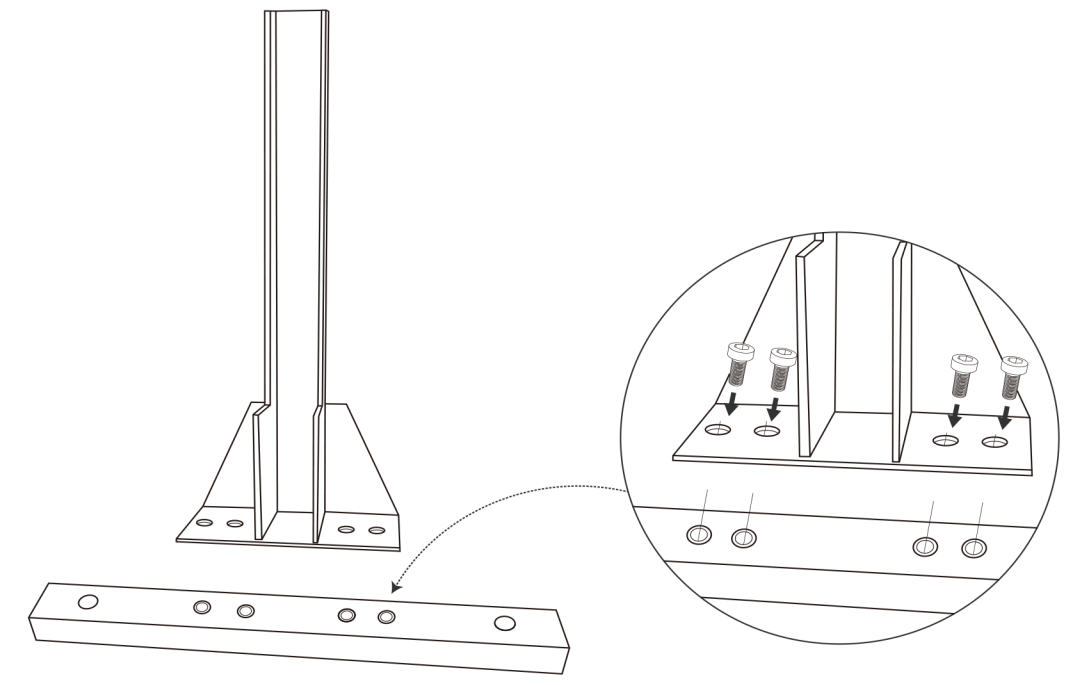


Single Panel Installation

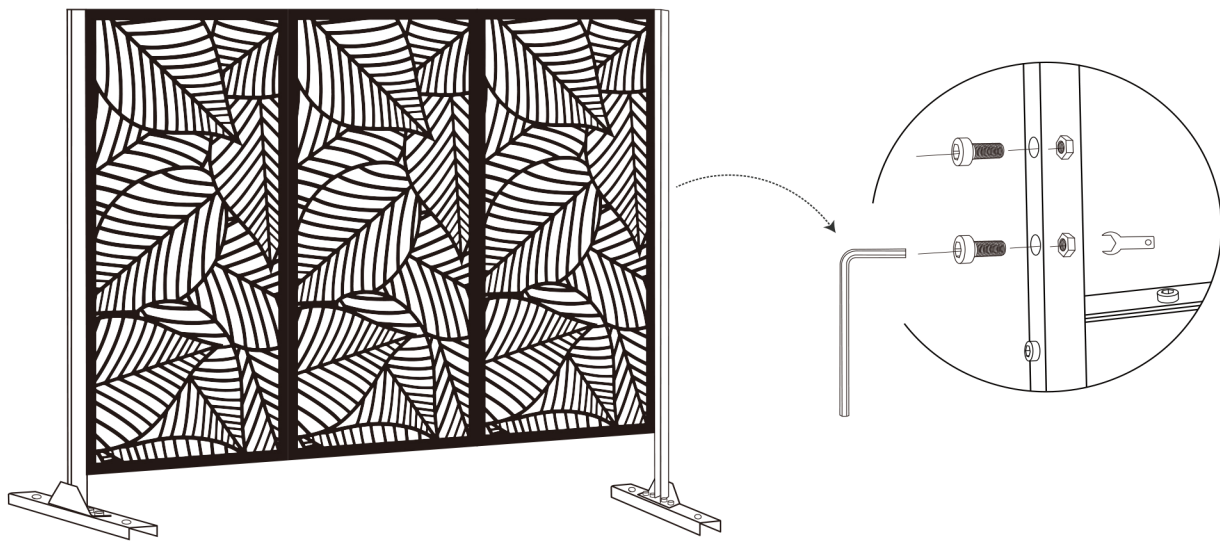
5.



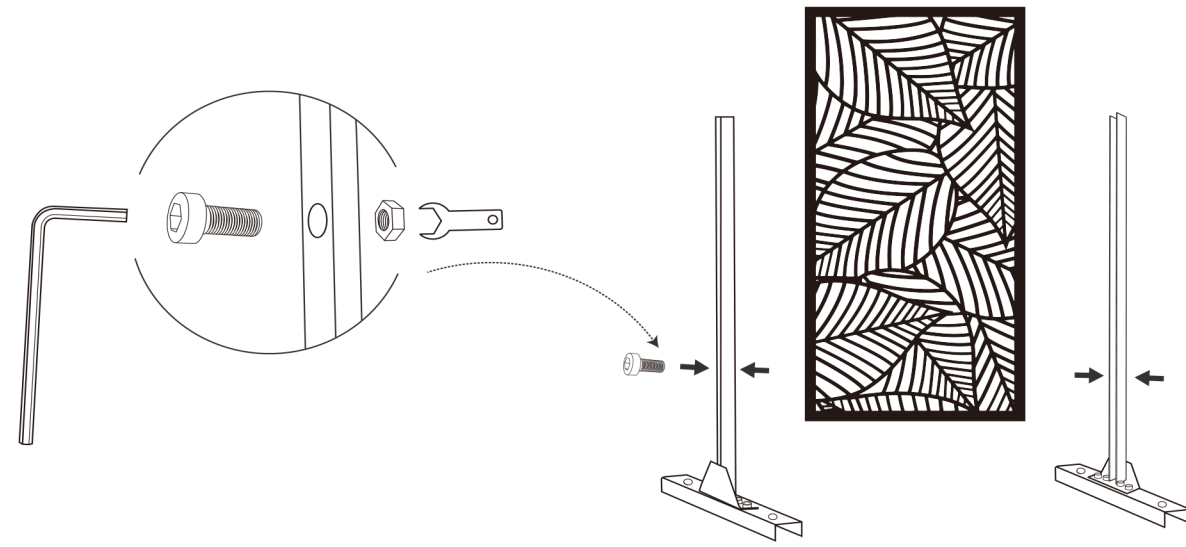
1.



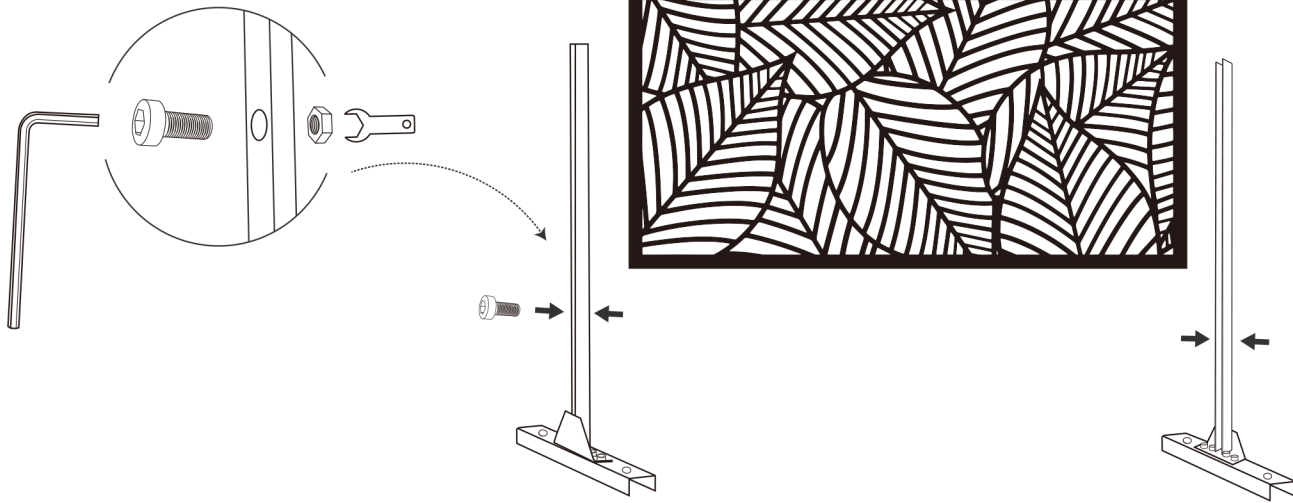
6.



2.



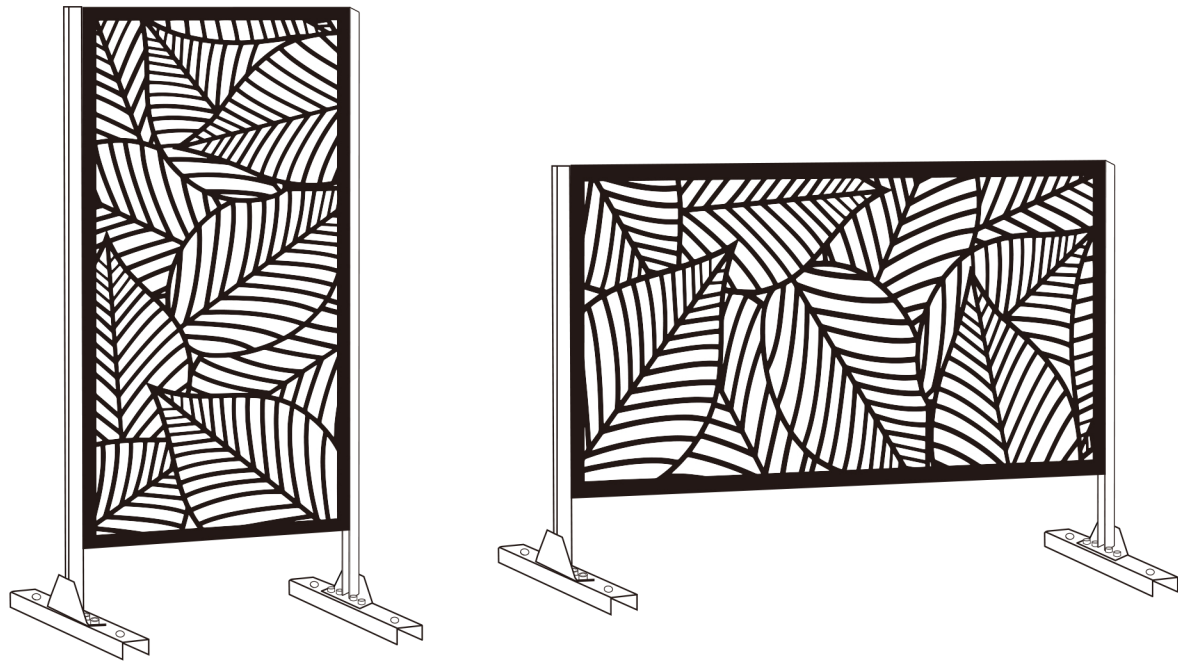
3.



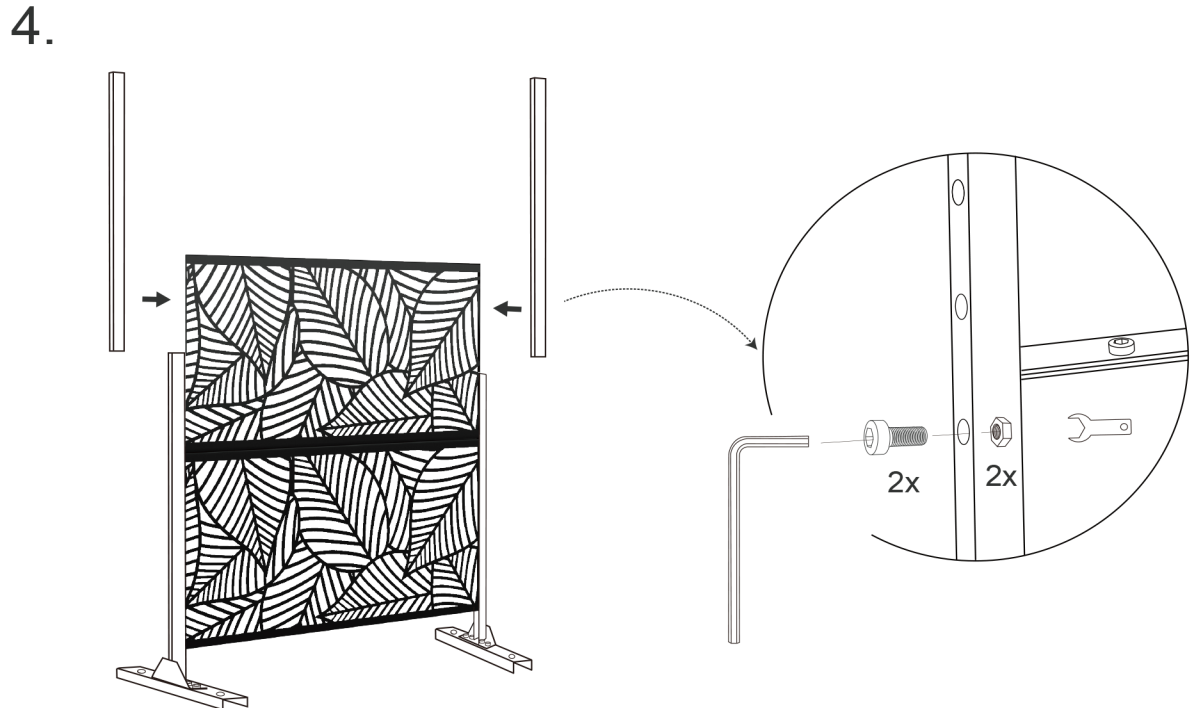
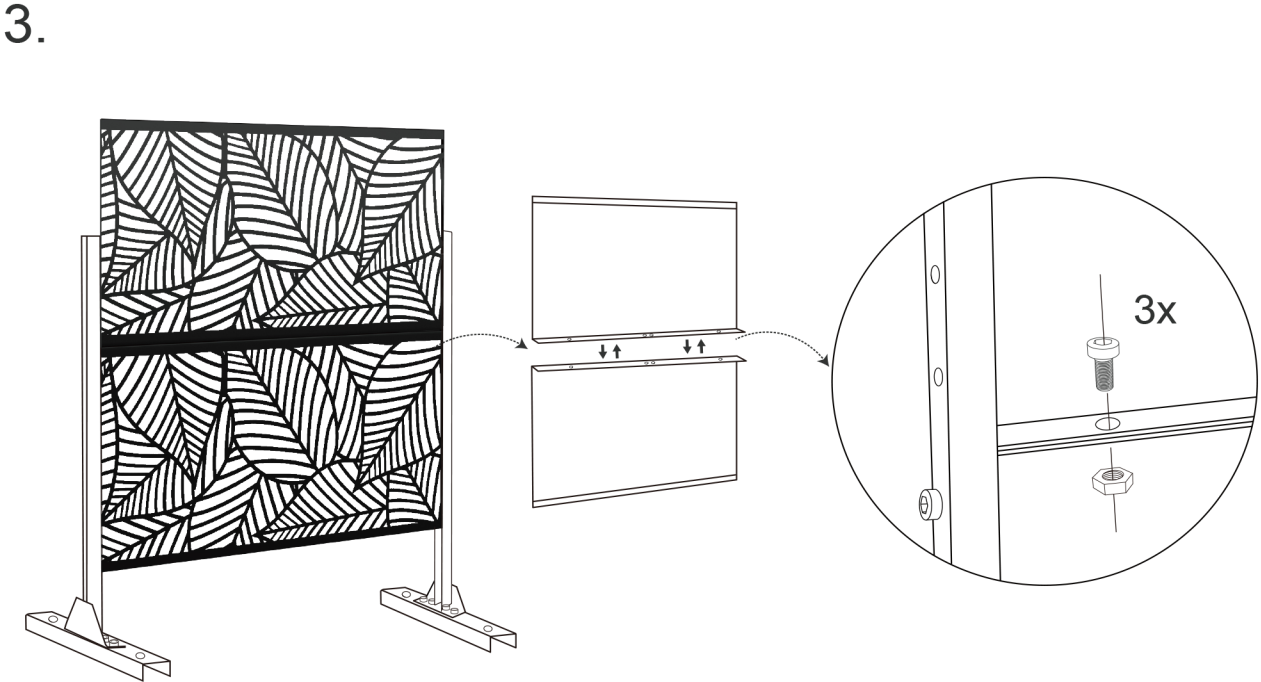
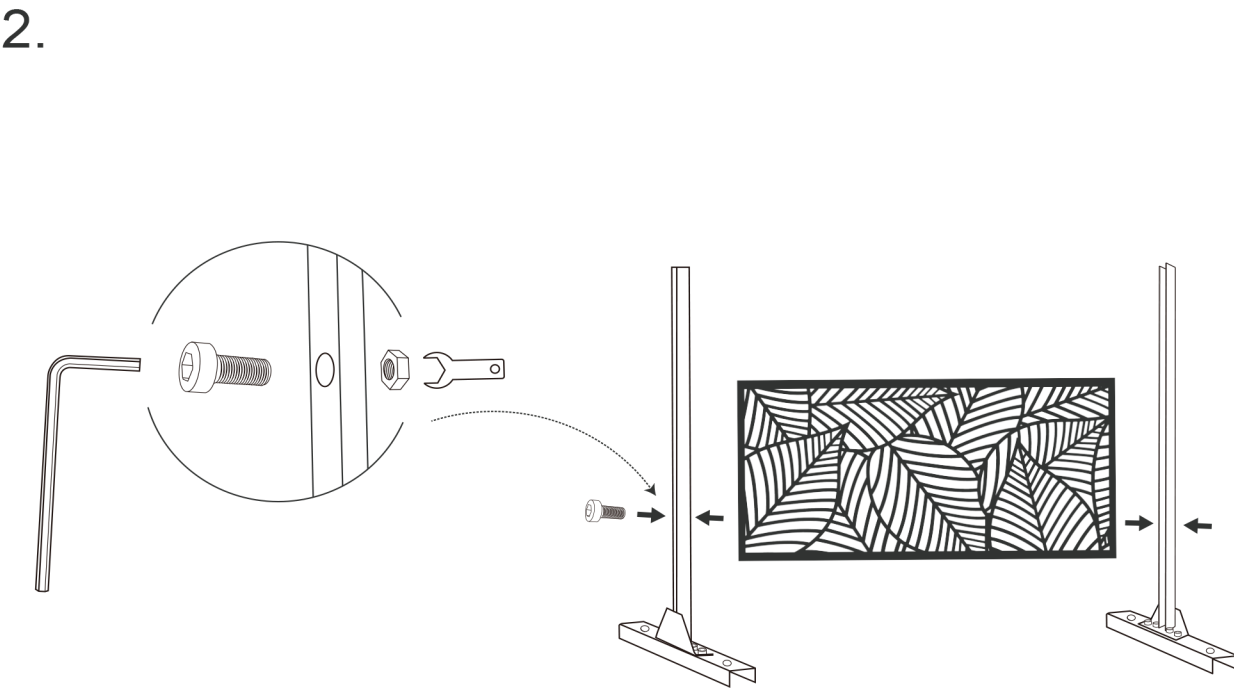
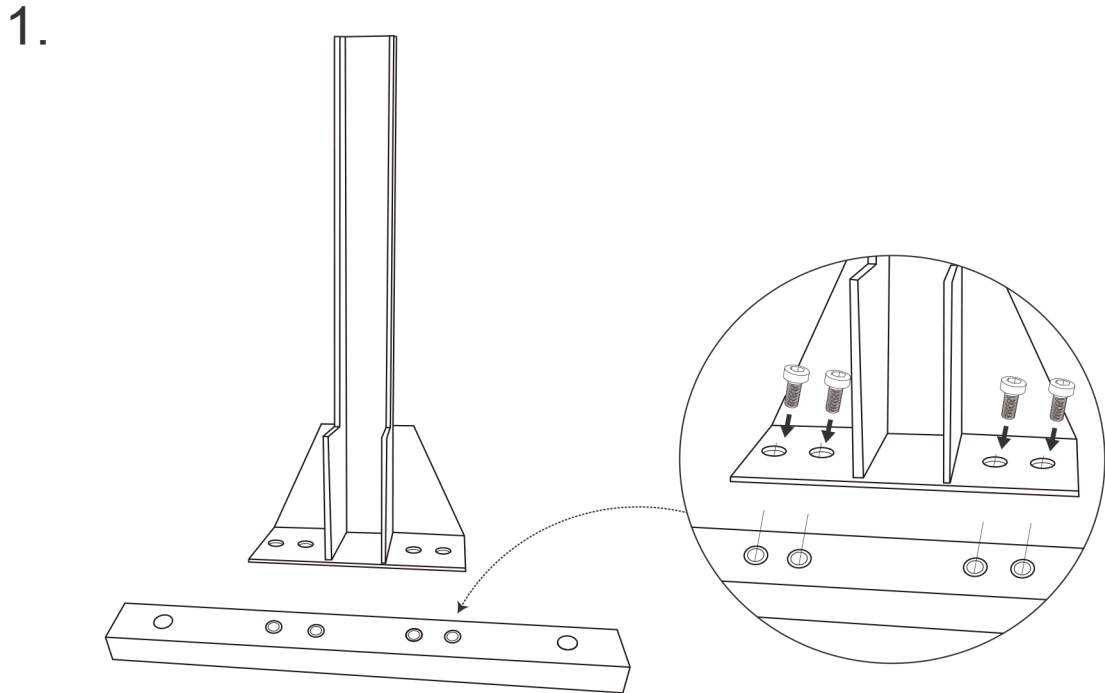
5.



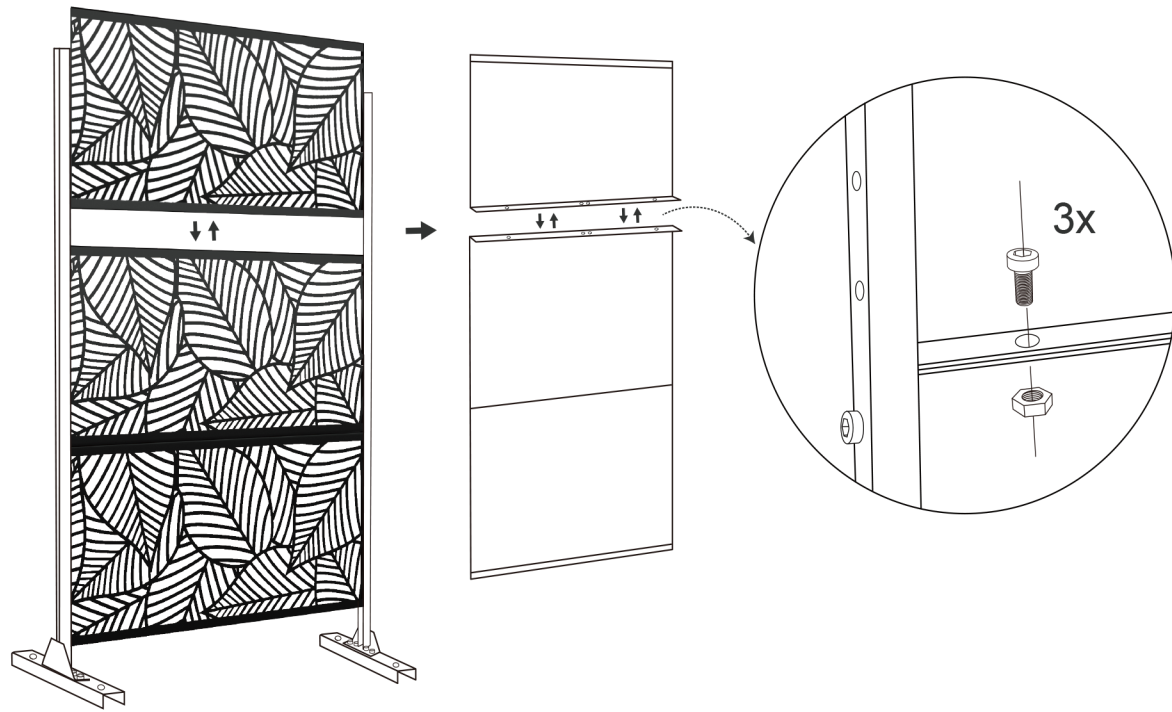
4.



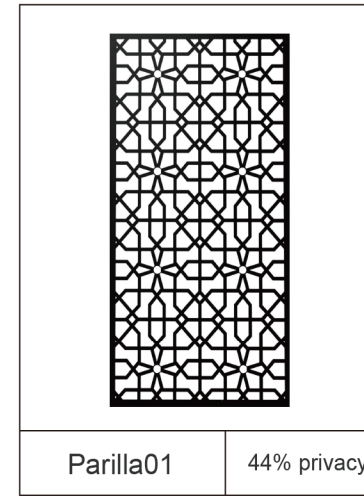
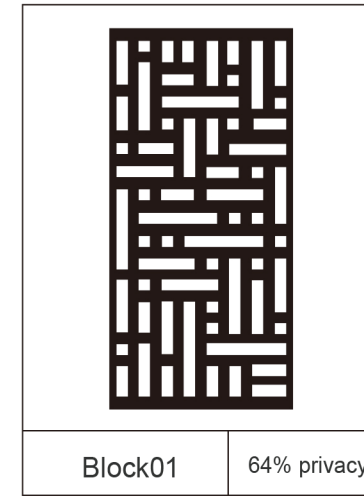
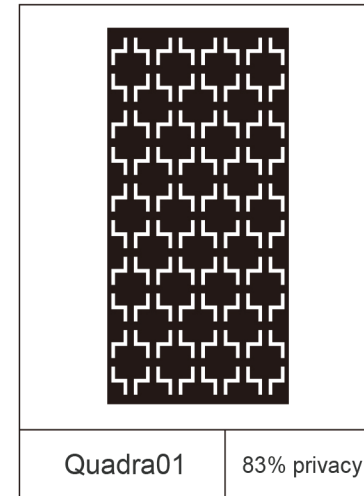
Horizontally Install



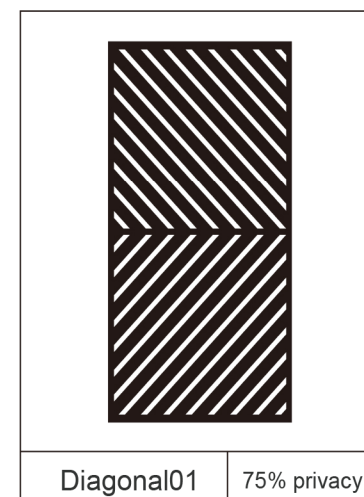
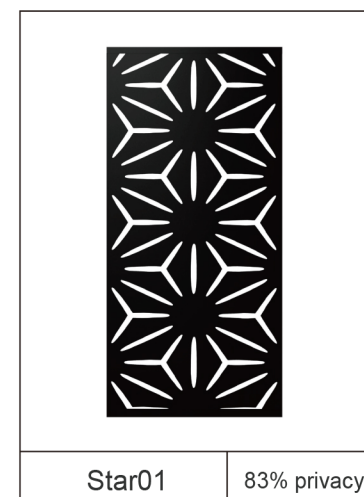
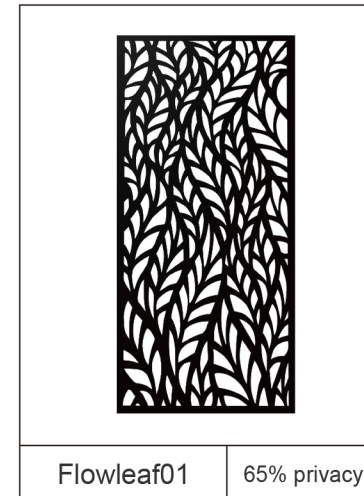
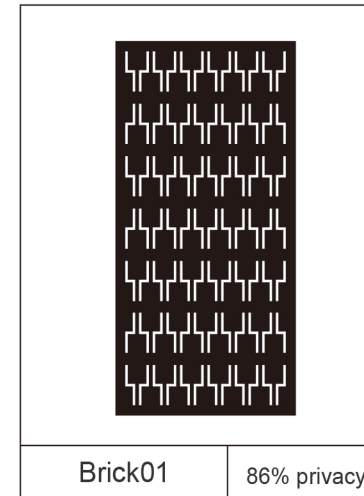
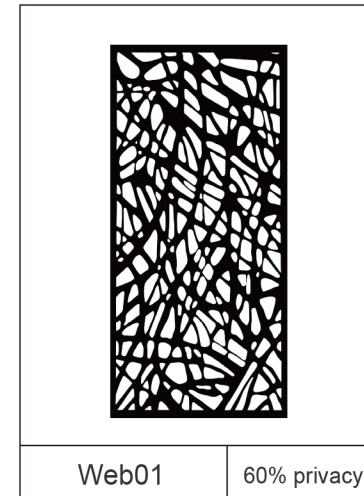
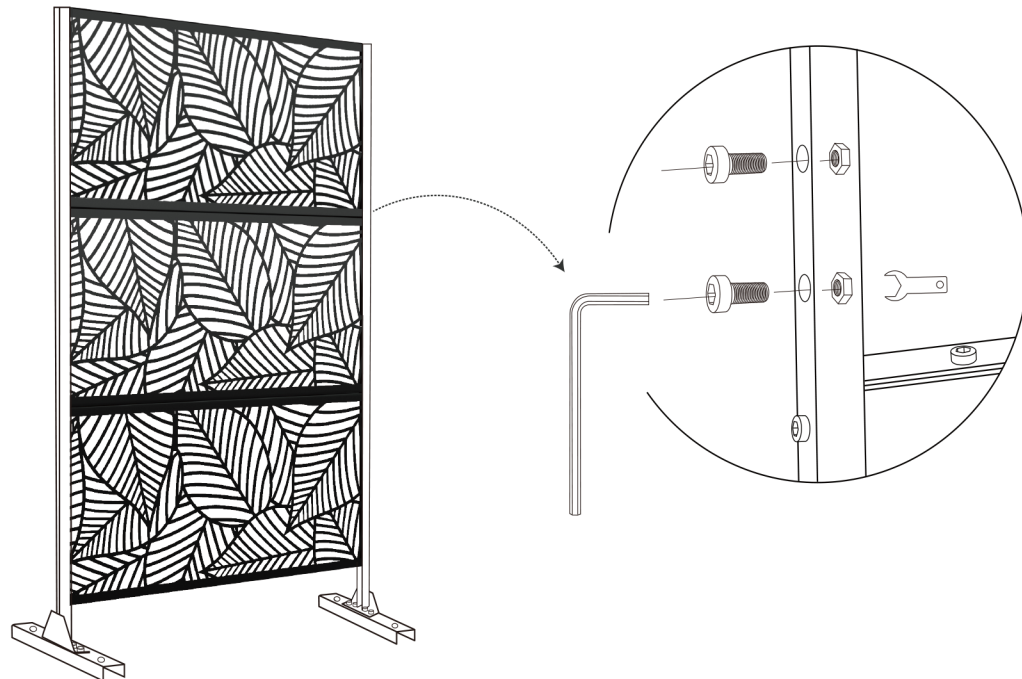
5.



We have various choices of pattern for you:

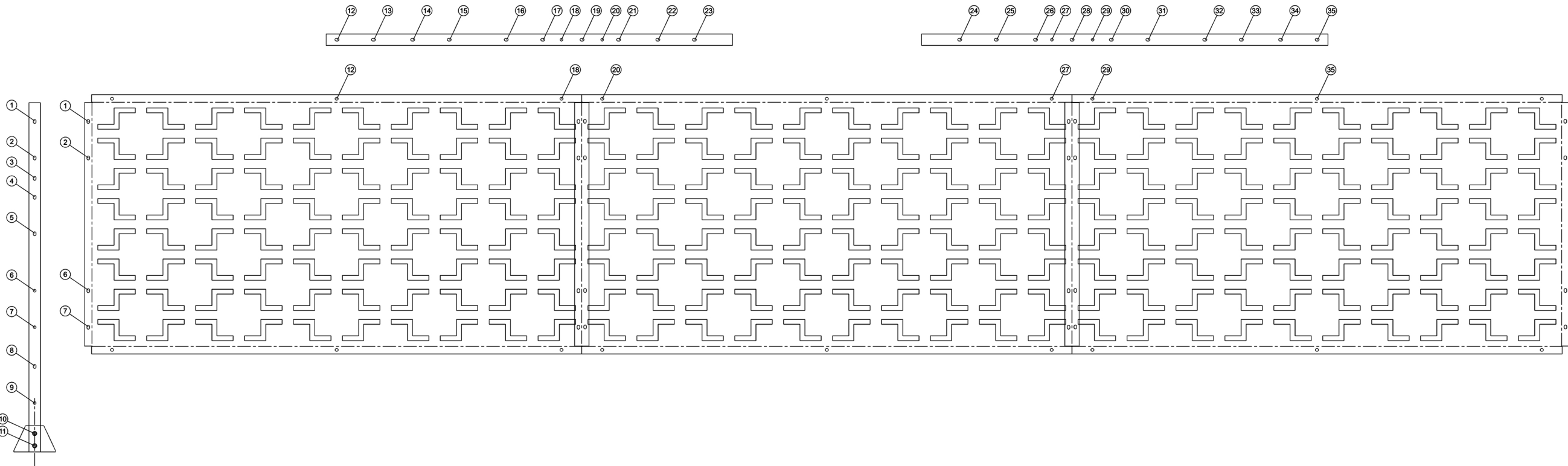


6.

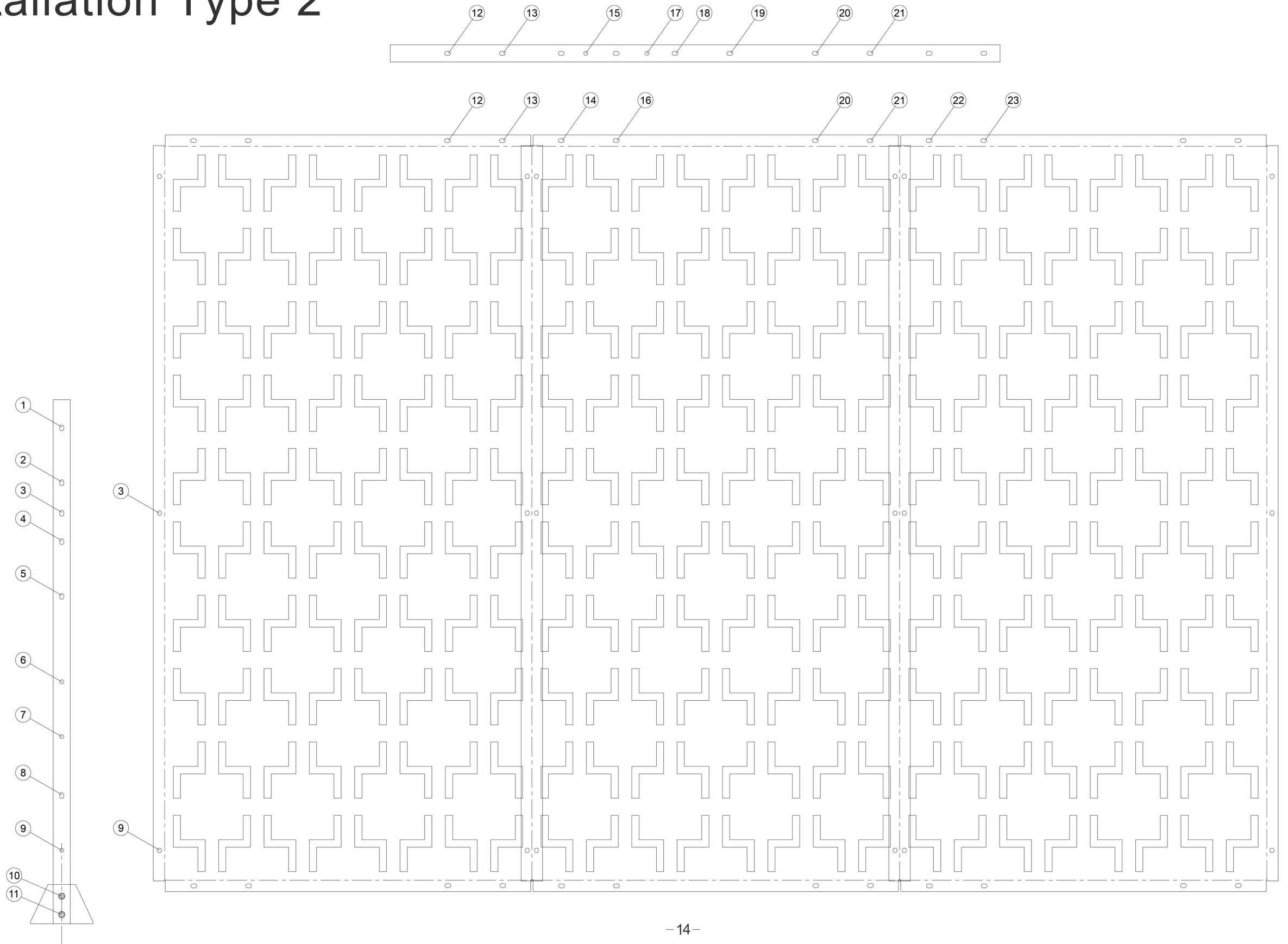


Appendix

Installation Type 1



Installation Type 2



Installation Type 3

