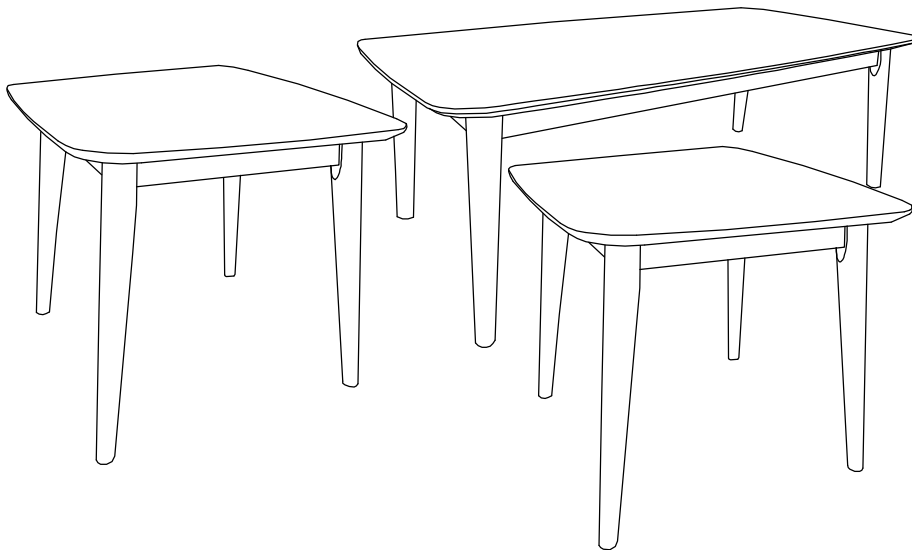


ASSEMBLY INSTRUCTIONS



Fine Furniture for every stage of life

ASSEMBLY INSTRUCTIONS

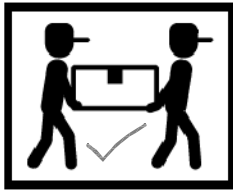
ASSEMBLY TIPS :

1. Remove hardware from box and sort by size.
2. Please check to see that all hardware and parts are present prior to start of assembly.
3. Please follow attached instructions in the same sequence as numbered to assure fast & easy assembly.



WARNING !


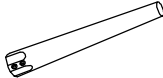
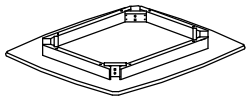
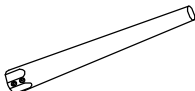
1. Don't attempt to repair or modify parts that are broken or defective. Please contact the store immediately.
2. This product is for home use only and not intended for commercial establishments.






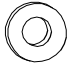
ASSEMBLY TIME

20 MINUTES

PARTS IDENTIFICATION

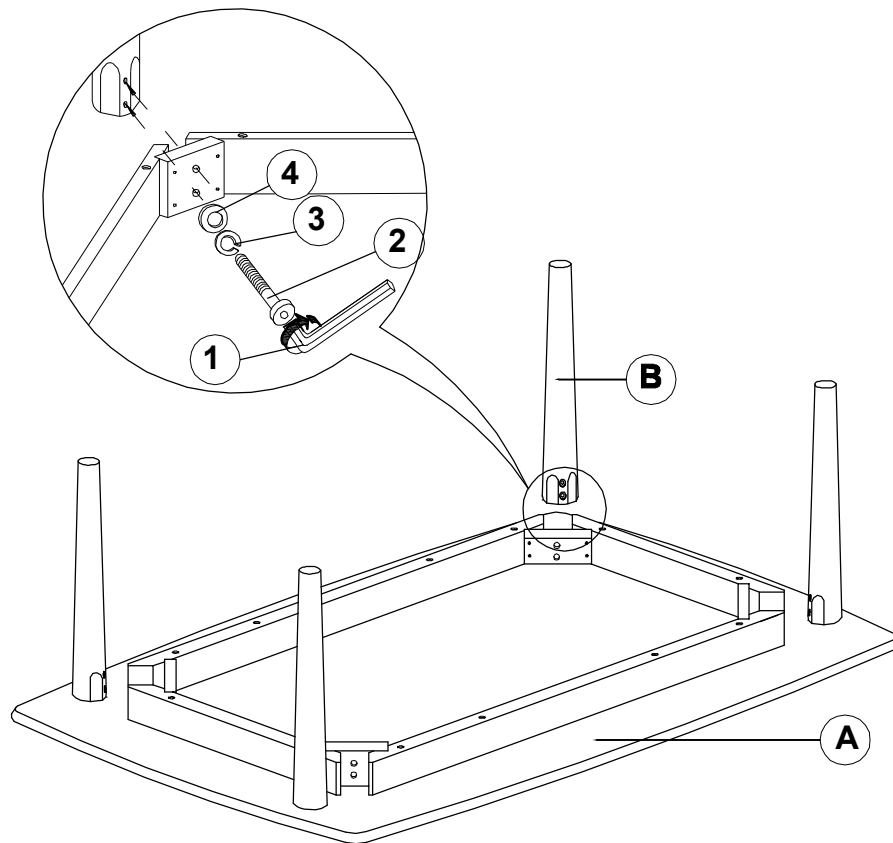
A	COFFEE TABLE TOP		1PC
B	COFFEE TABLE LEG		4PCS
C	END TABLE TOP		2PCS
D	END TABLE LEG		8PCS

HARDWARE IDENTIFICATION

1	ALLEN WRENCH (M4 x 63mm - BLK)		1PC
2	BOLT (M6 x 60mm - RBW)		24PCS
3	LOCK WASHER (1/4" - BLK)		24PCS
4	FLAT WASHER (5/16" - RBW)		24PCS

ASSEMBLY INSTRUCTIONS

COFFEE TABLE STEP 1

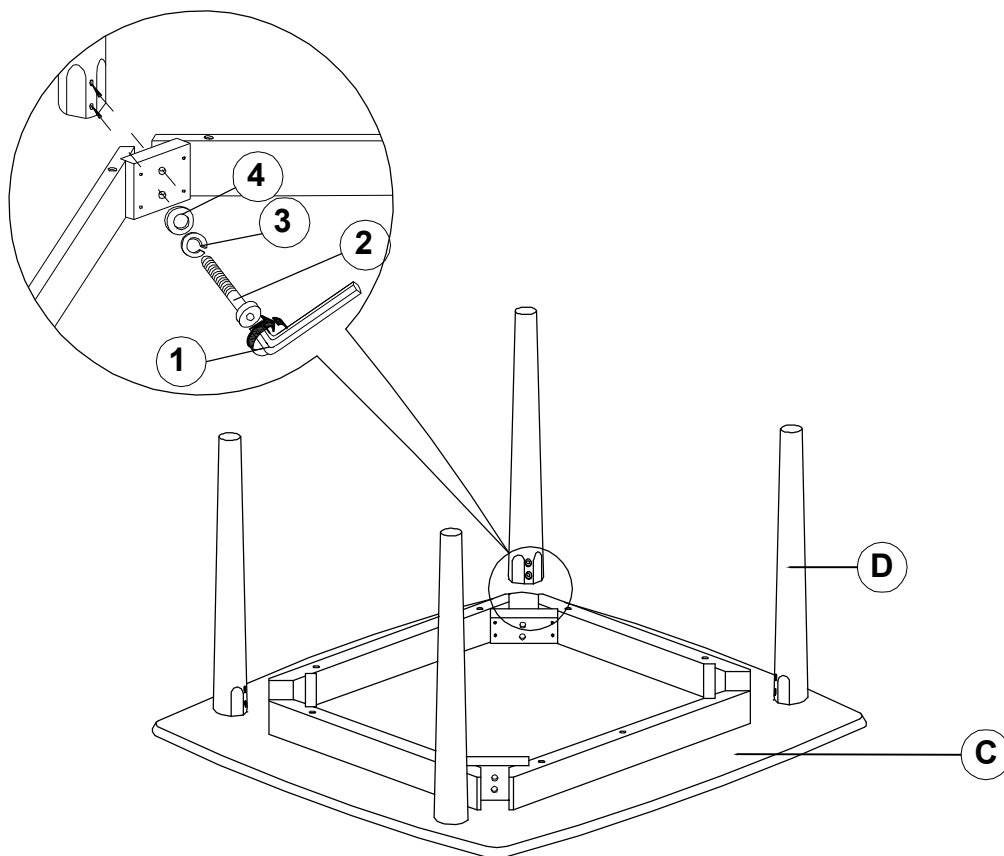


STEP 2 COMPLETE

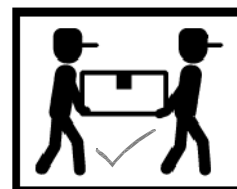


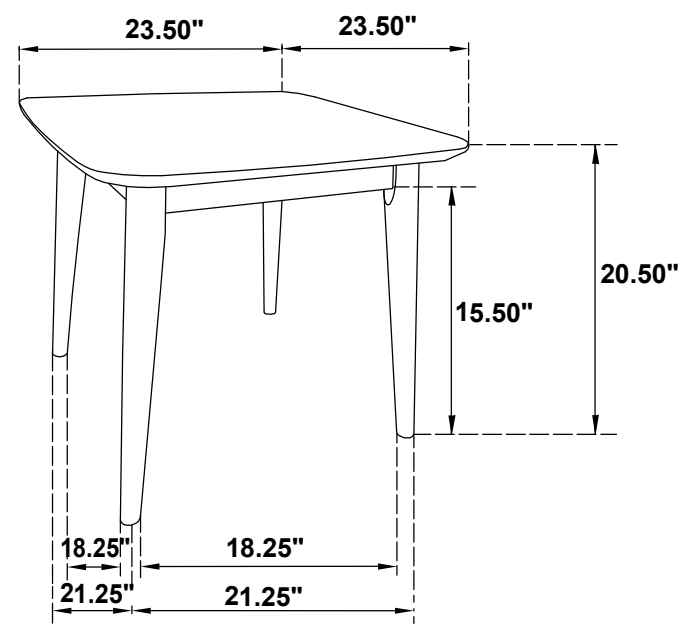
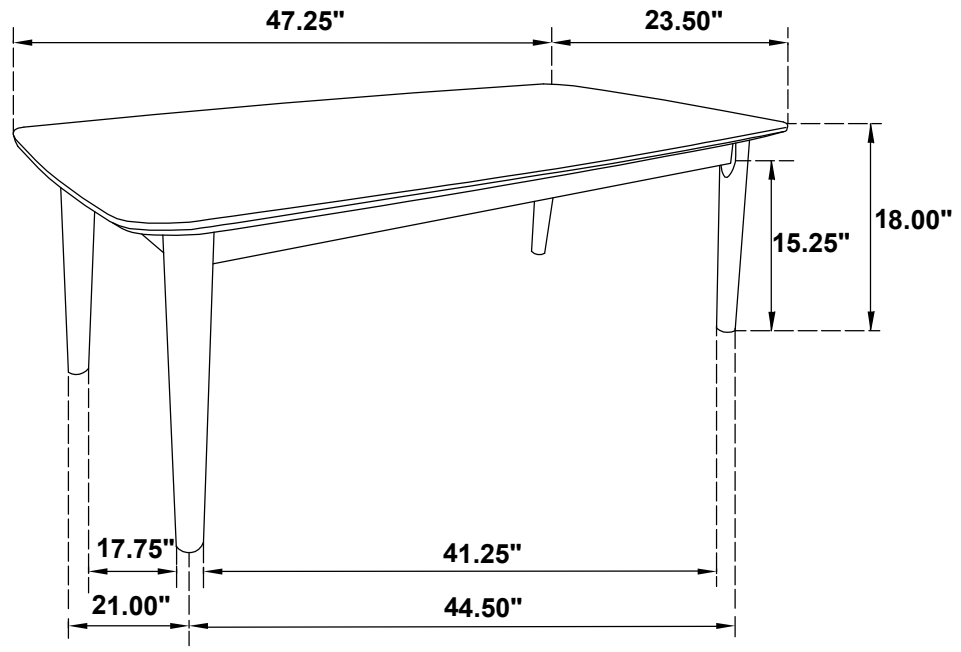
ASSEMBLY INSTRUCTIONS

END TABLE STEP 3



STEP 4 COMPLETE





Note: Dimension tolerance $\pm 5\%$