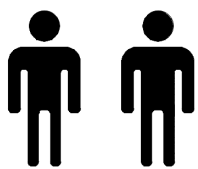
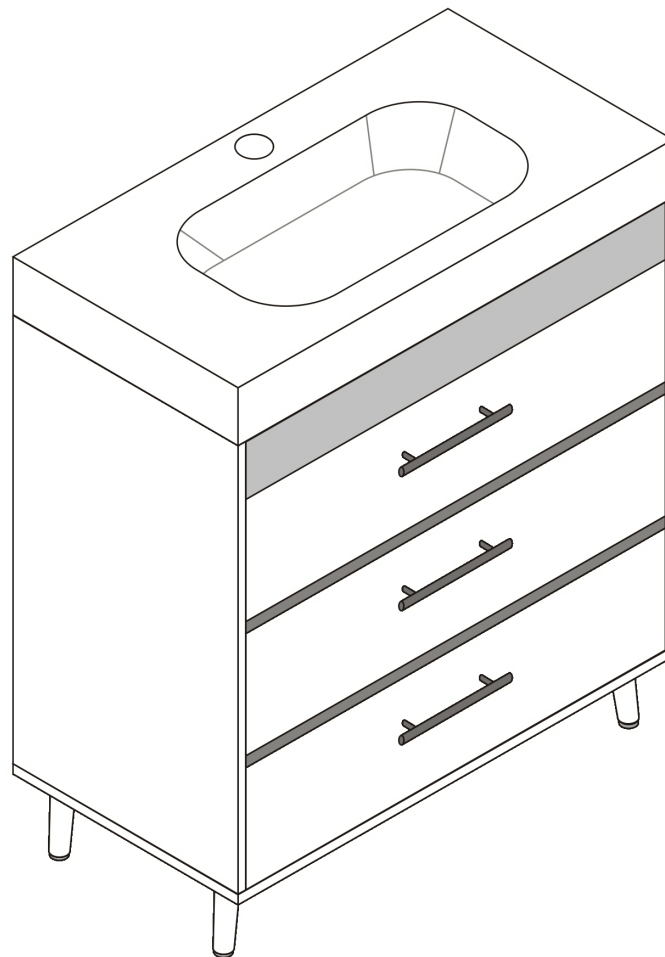


Bathroom cabinet

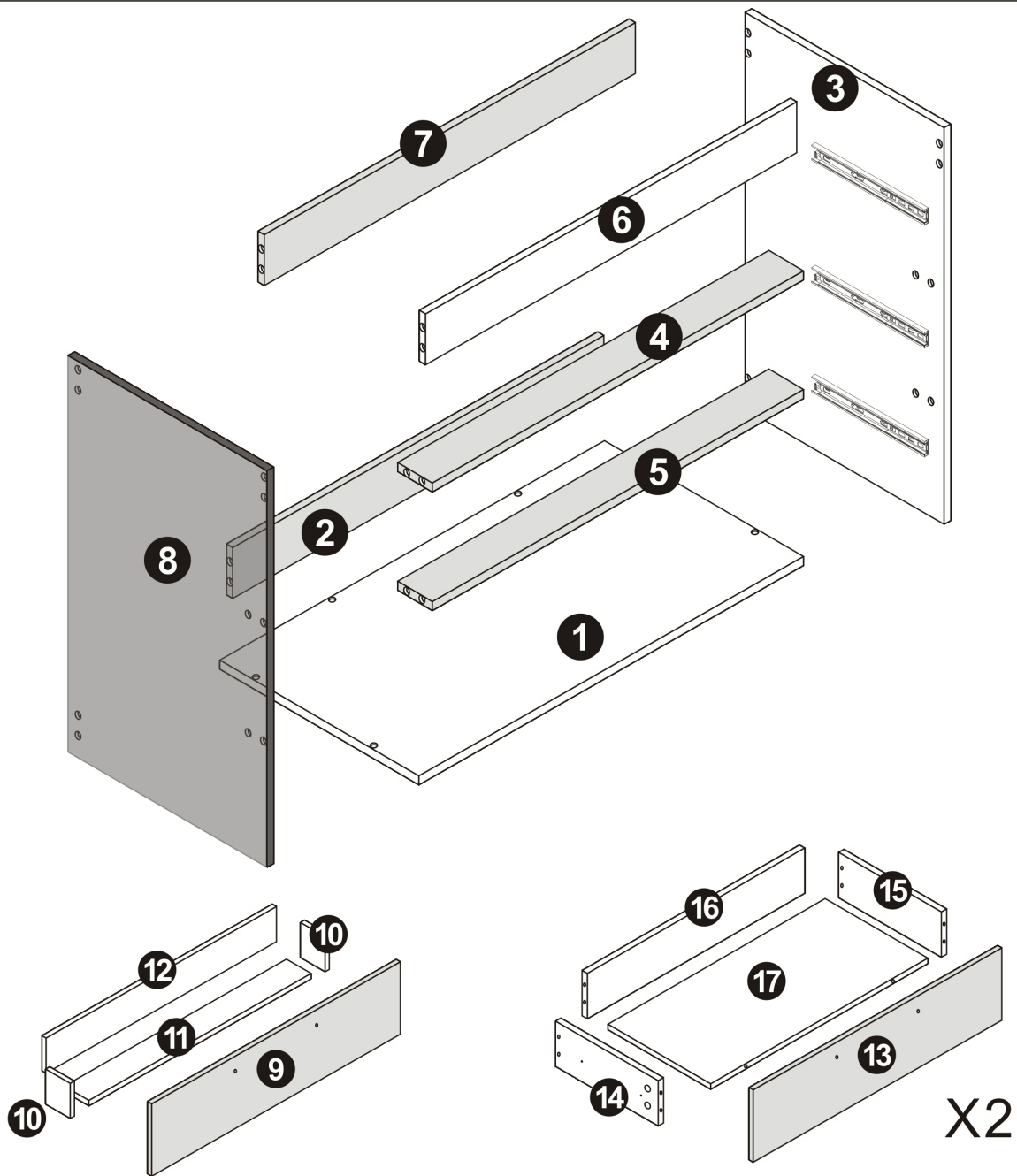


2 Persons

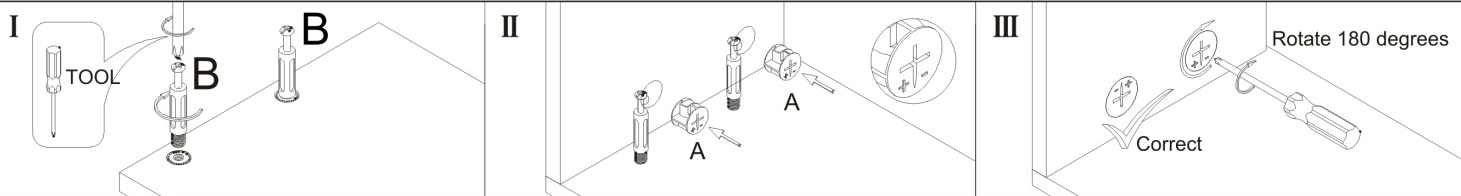
L752*W455*H593MM







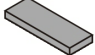


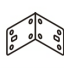




Installation Instructions

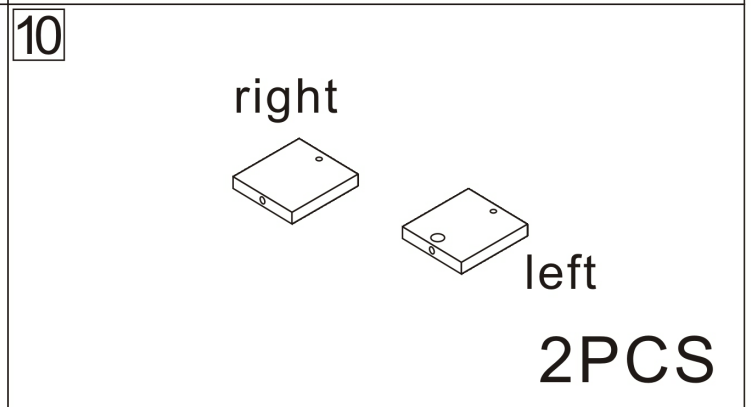
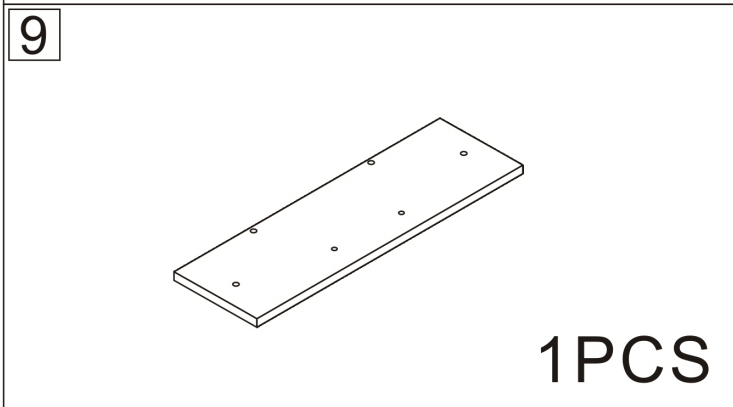
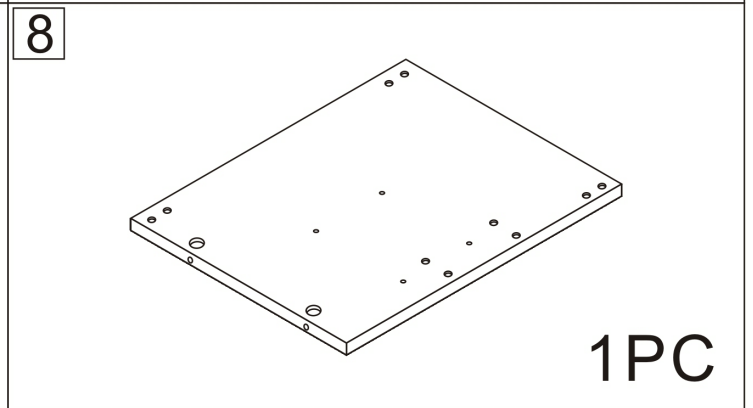
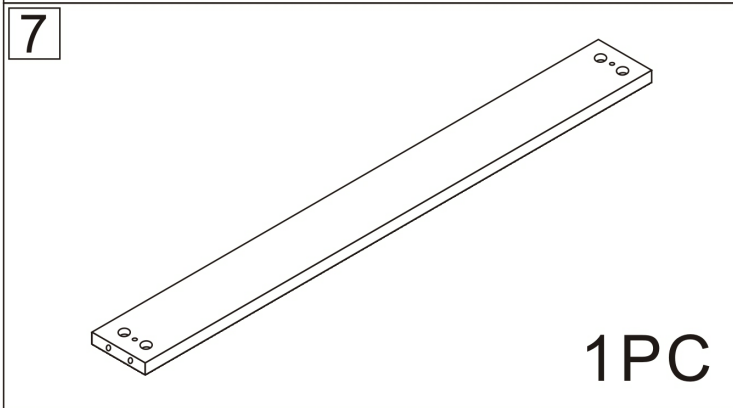
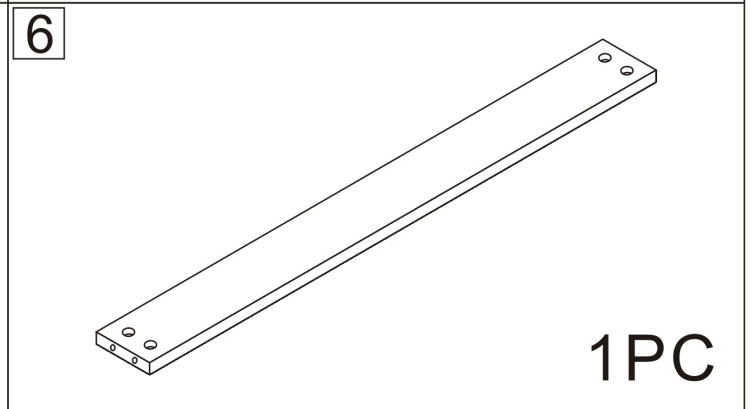
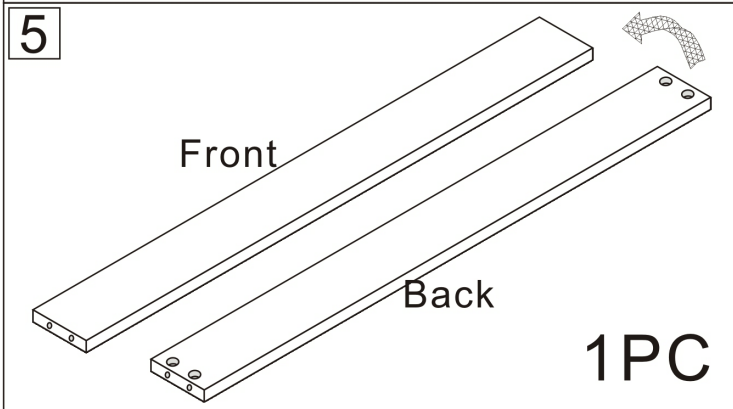
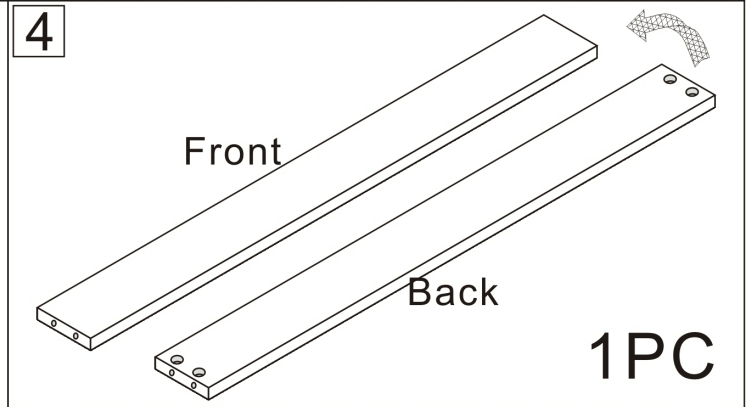
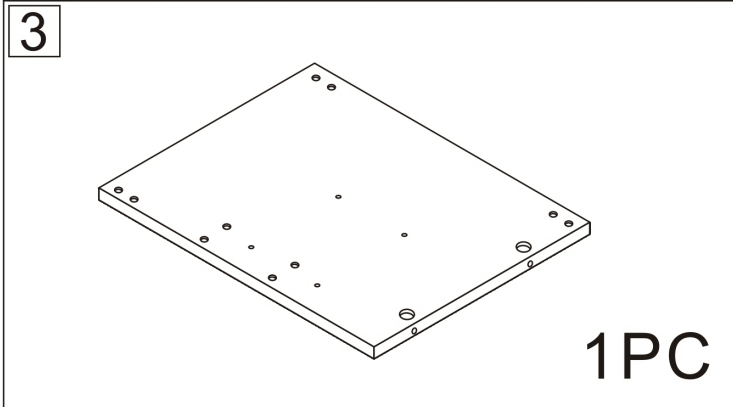
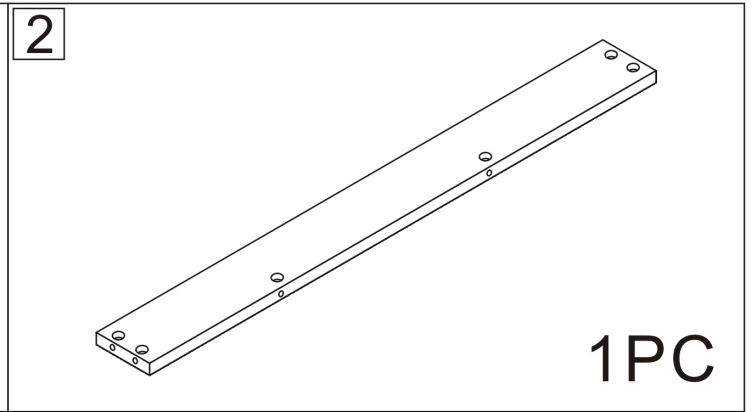
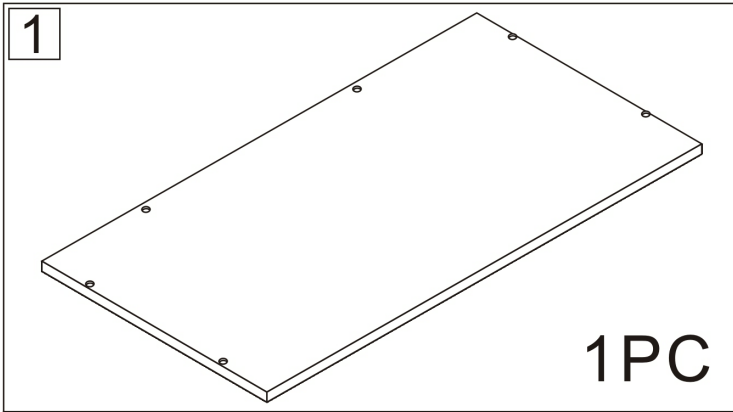
Notes: Don't tighten screws completely at first, just in case parts were assembled wrongly and need disassemble. Tighten screws at last when all parts are put together.



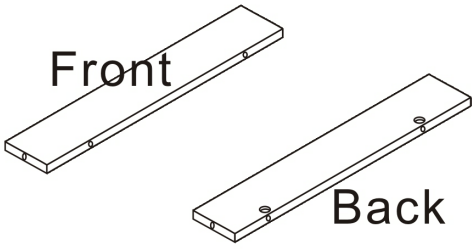
Disassembly and installation of accessories



A 48PCS  15*10mm	B 48PCS  6*28mm	C 68PCS  3.5*14mm	D 20PCS  3.5*35mm	E 6PCS  4*18	F 3PCS  Handles	G 4PCS  Sponge Mat	H 2PCS  8mm
I 2PCS  Expansion screw	J 2PCS  Corner code	K 2PCS  Three-section Rail	L 4PCS  Hardware Feet	M 1PCS  Support Rod	N 2PCS  Mid bend		

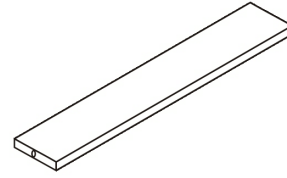


11



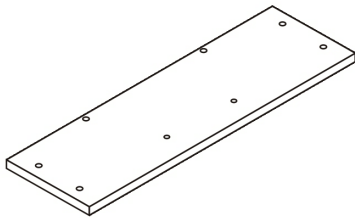
1PC

12



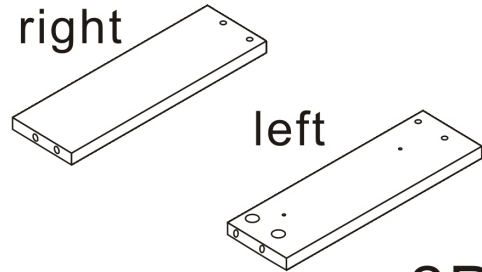
1PC

13



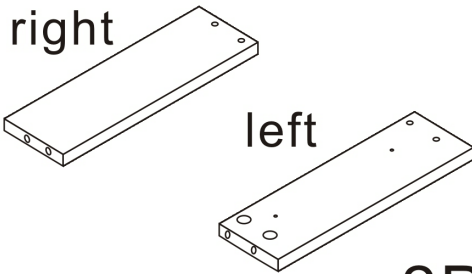
2PCS

14



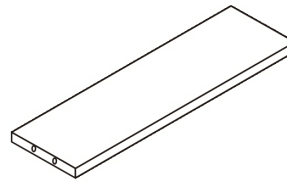
2PCS

15



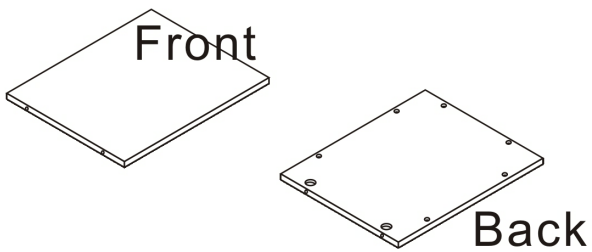
2PCS

16



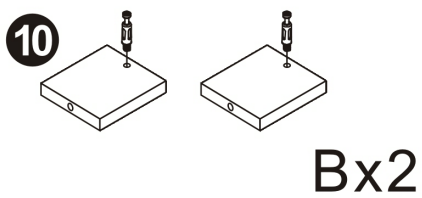
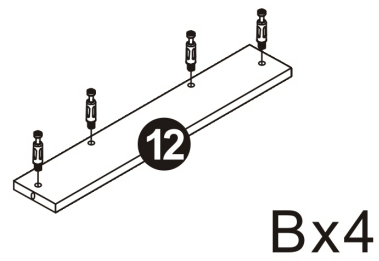
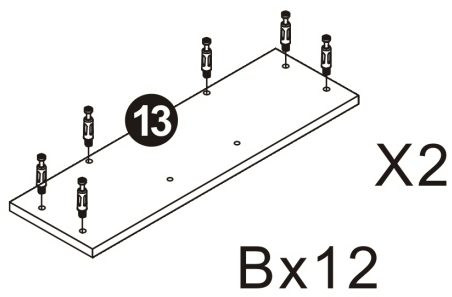
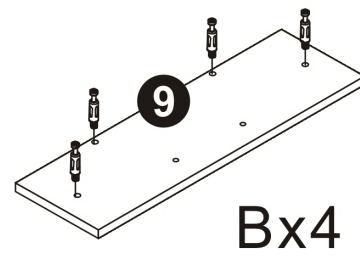
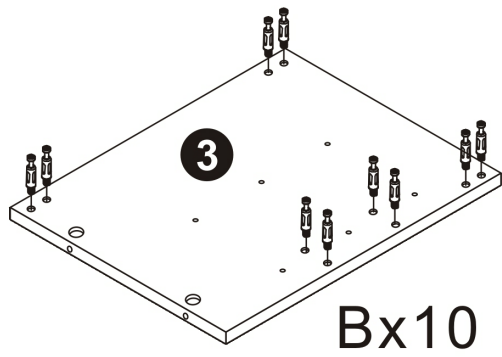
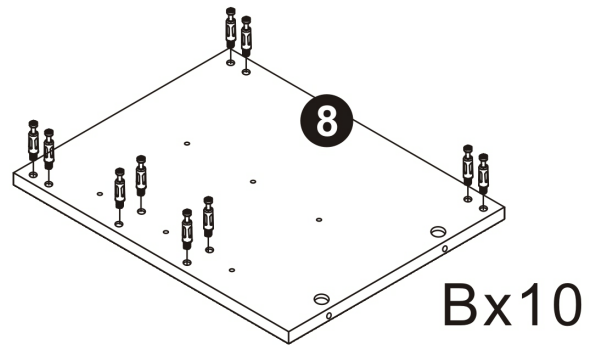
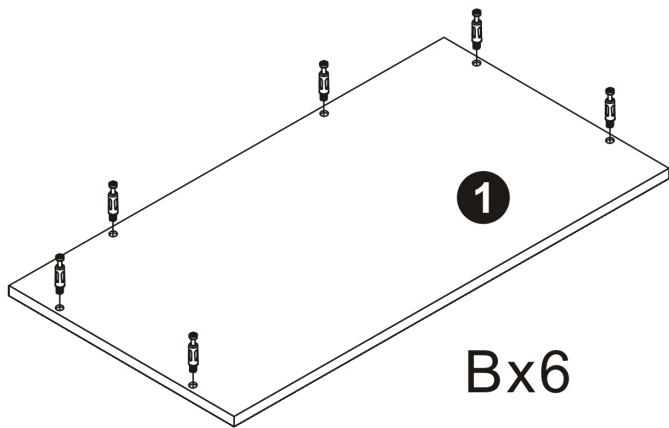
2PCS


17



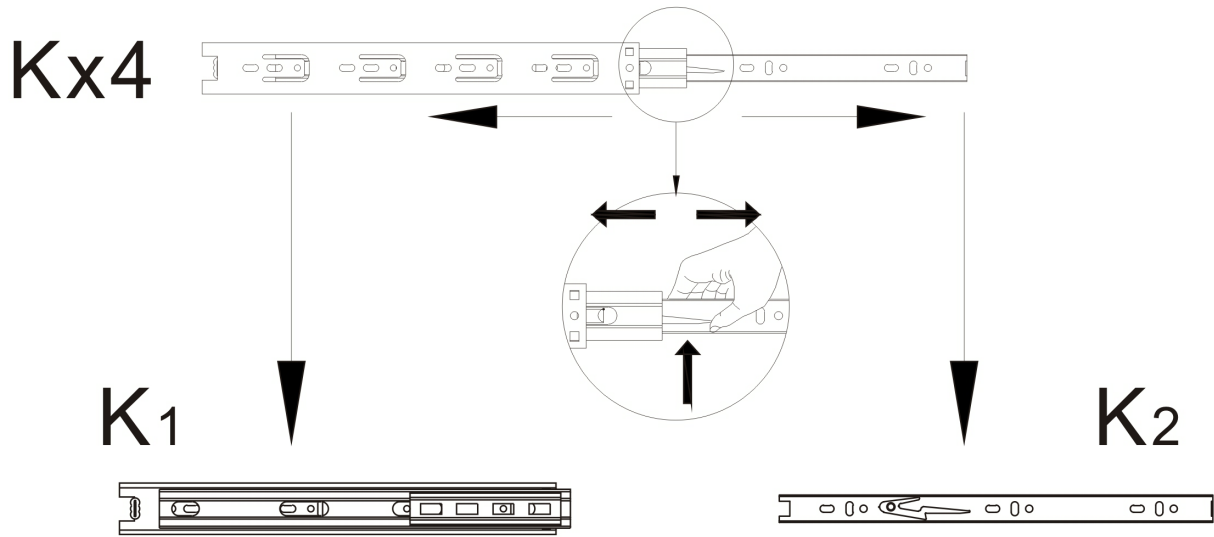
2PCS

1



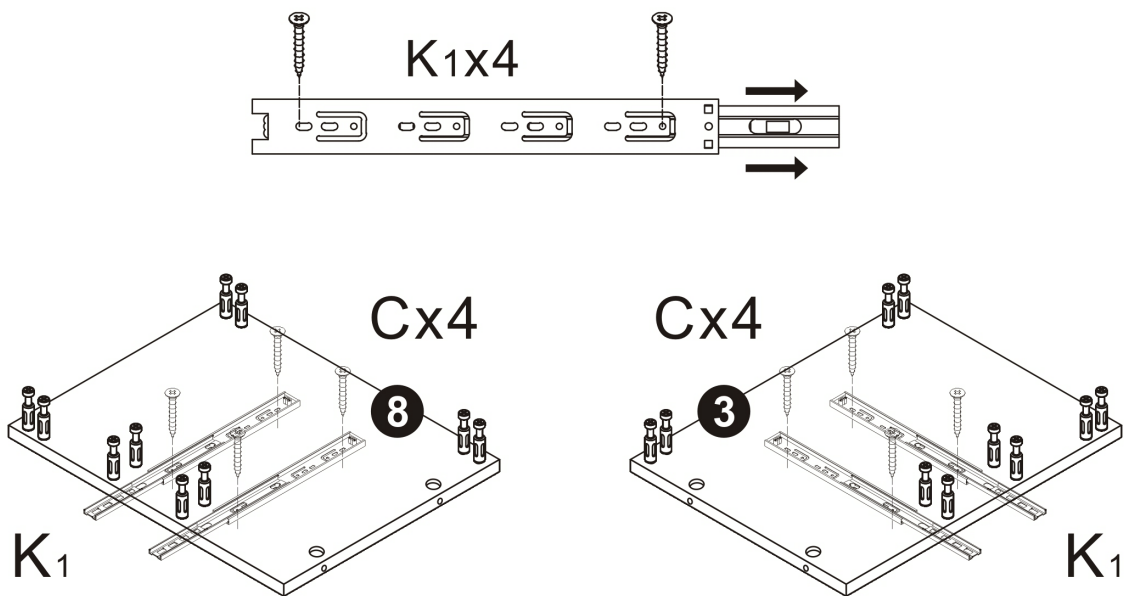
B	48PCS
	
6*28mm	

2



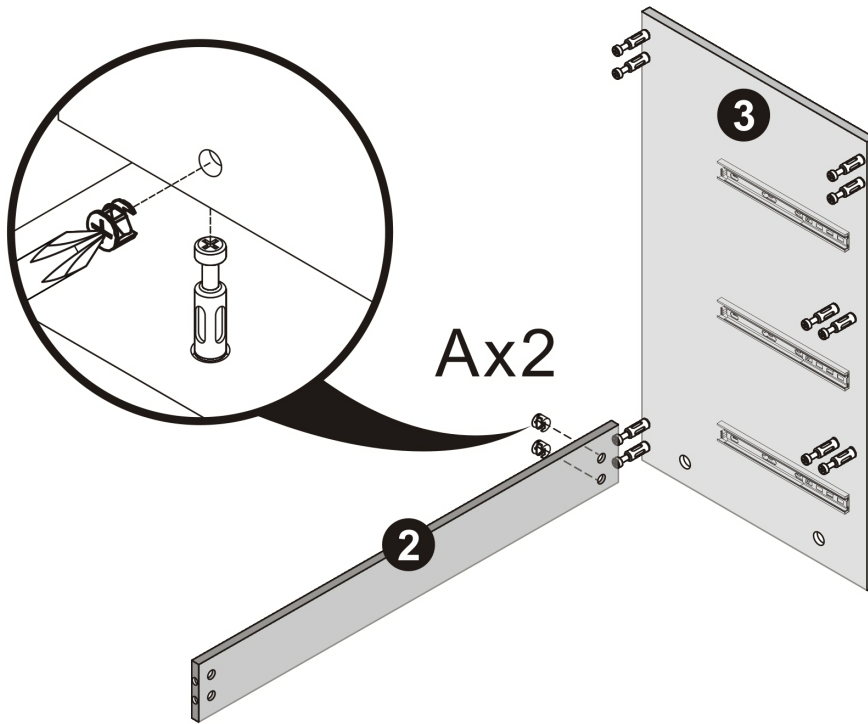
K ₁	4PCS
Three-section Rail	


3



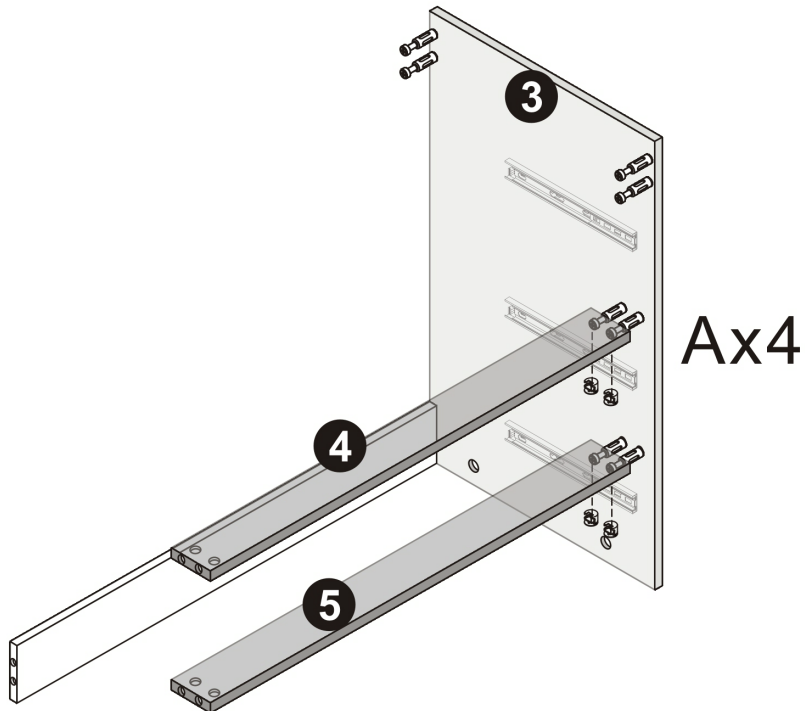
C	8PCS	K ₁	4PCS
3.5*14mm		12 inch Three-section Rail	


4



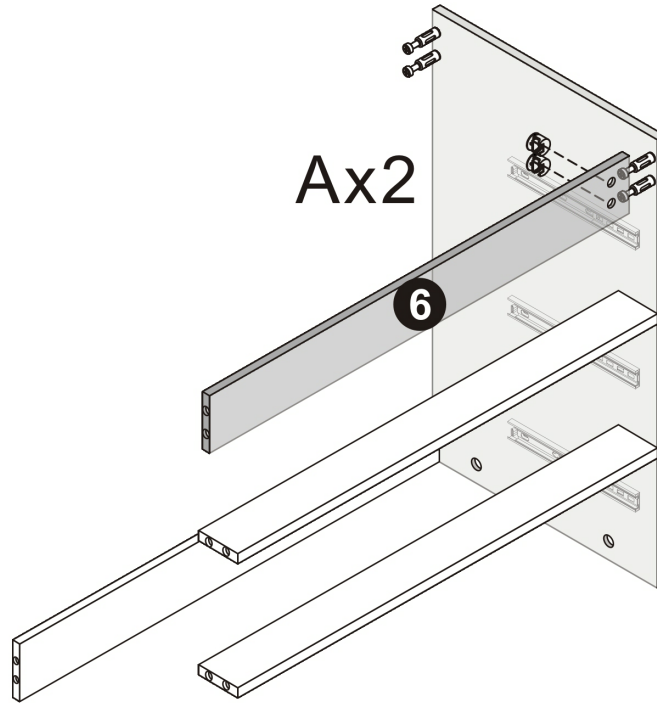
A	2PCS
	
15*10mm	


5



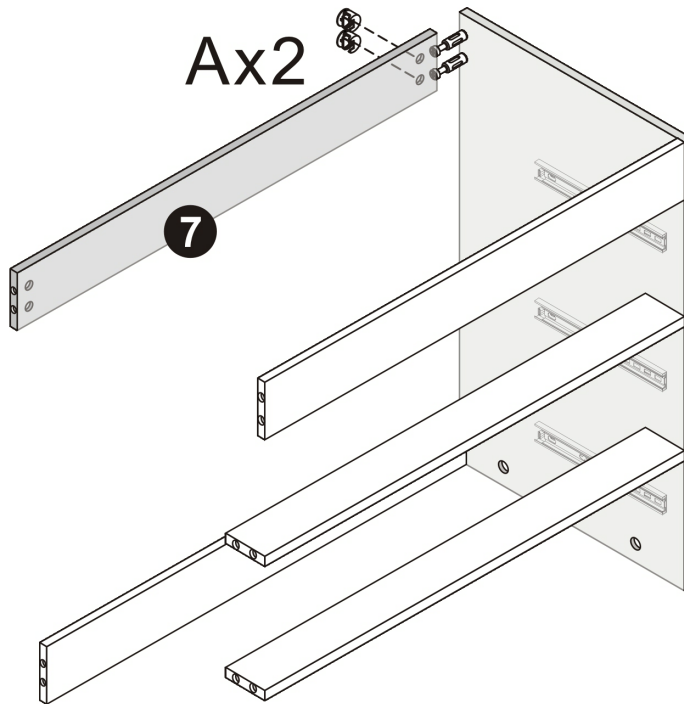
A	4PCS
	
15*10mm	


6



A	2PCS
	
15*10mm	

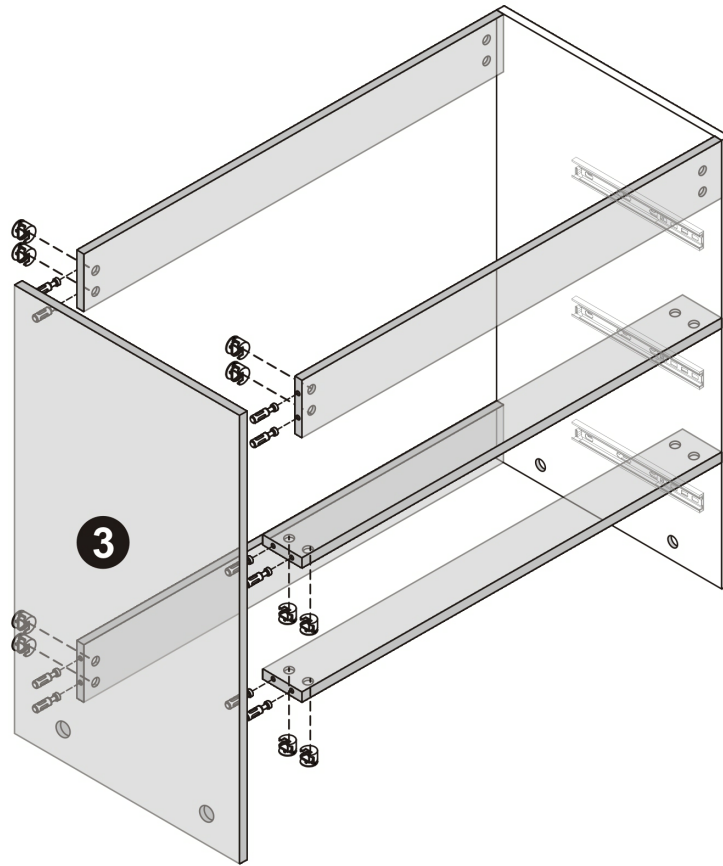
7




A	2PCS
	
15*10mm	

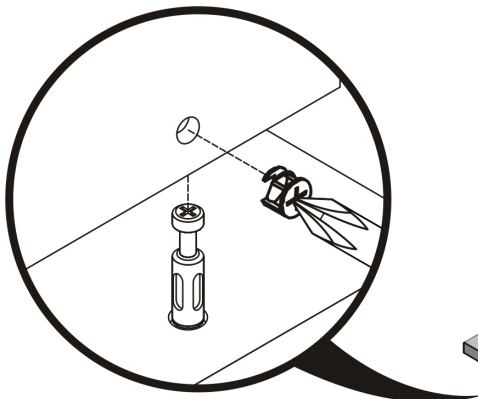
8

Ax10

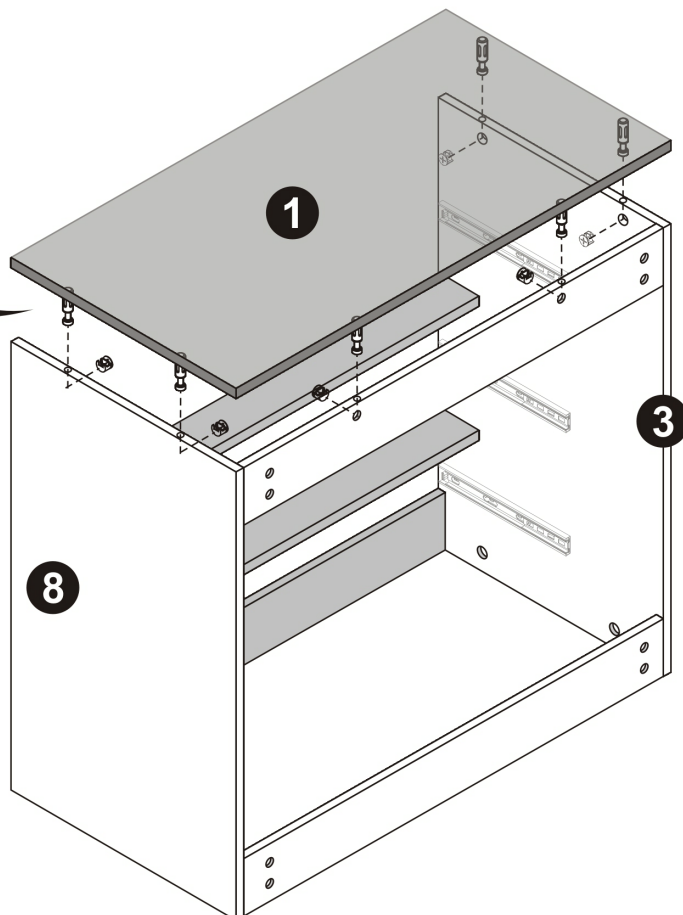



A	10PCS
	
15*10mm	

9

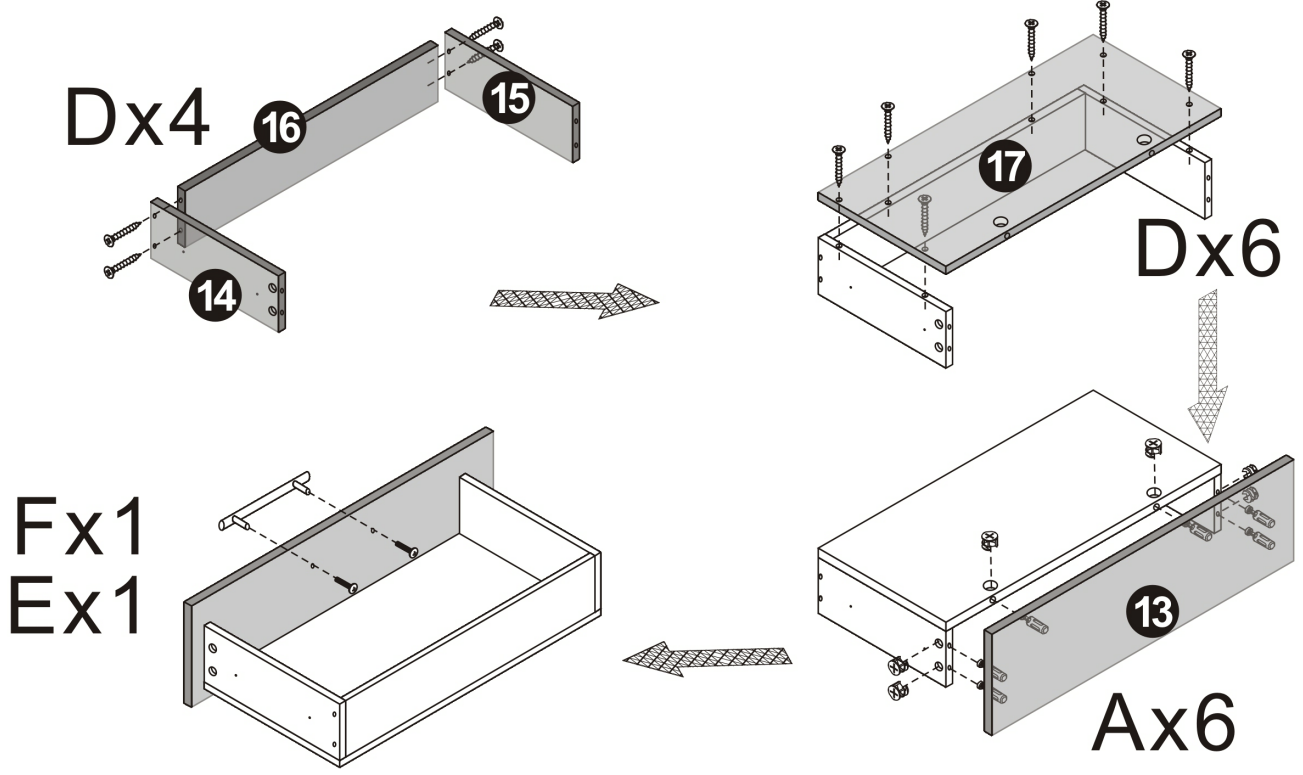


Ax6




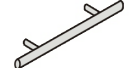


A	6PCS
	
15*10mm	

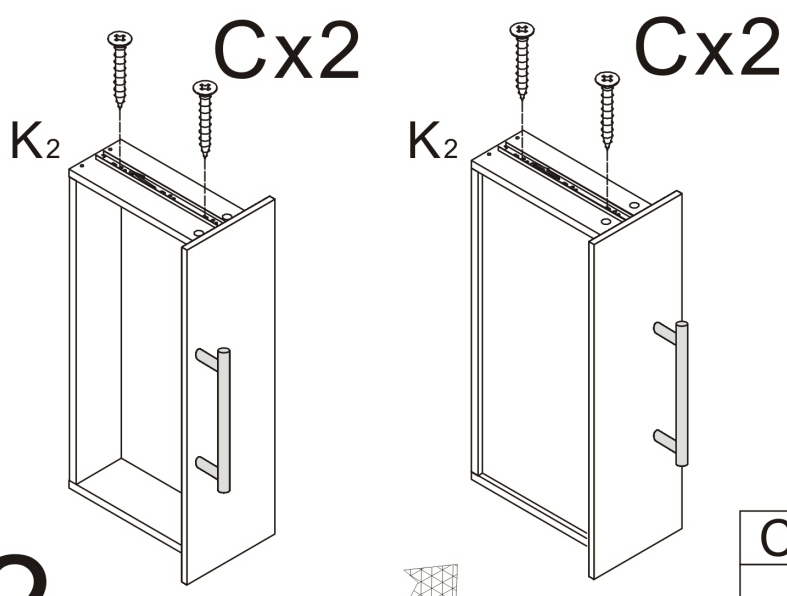
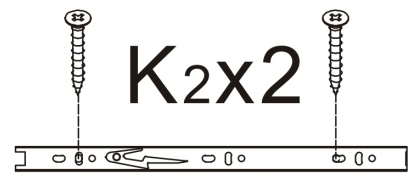
10





X2

A	12PCS	D	20PCS	E	4PCS	F	2PCS
							
15*10mm		3.5*35mm		4*18		Handles	

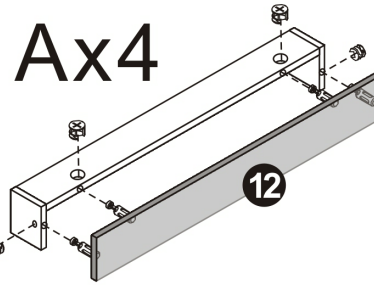
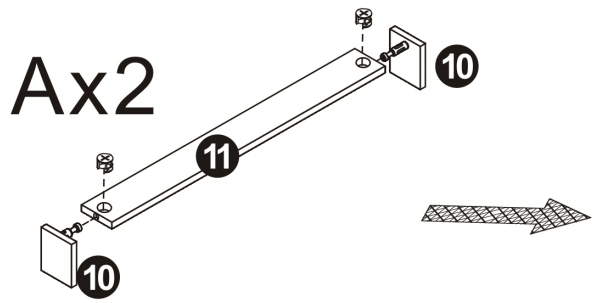
11



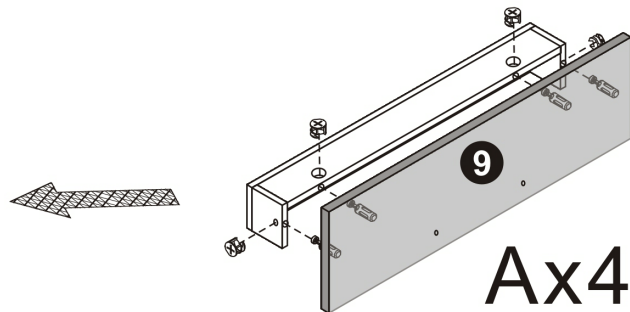
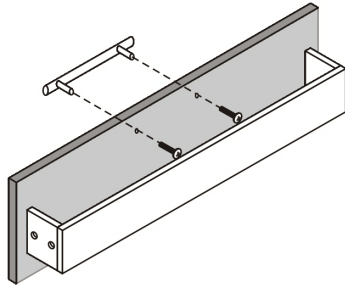
X2



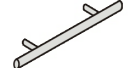
C	8PCS	K ₂	2PCS
			
3.5*14mm		Three-section Rail	

12

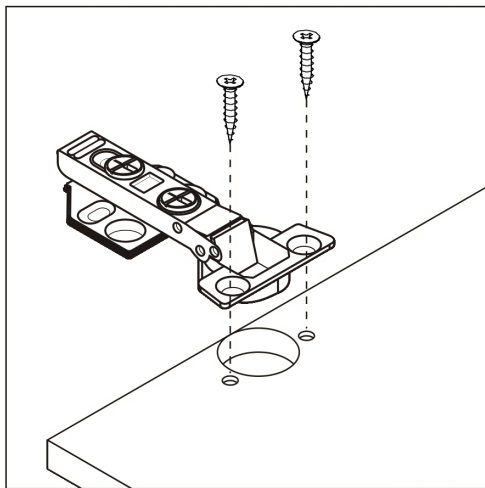


Fx1
Ex1

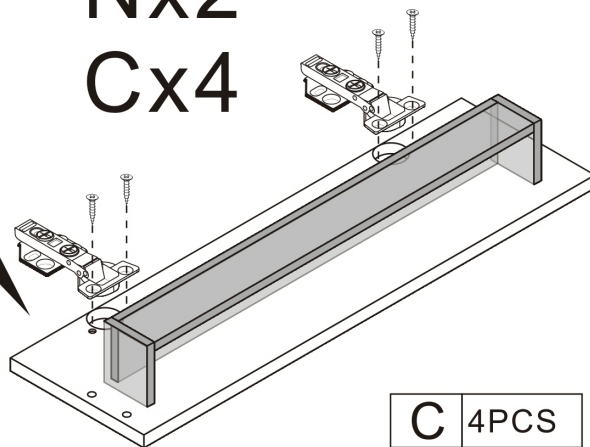



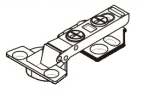
A	10PCS	E	2PCS	F	1PCS
					
15*10mm		4*18		Handles	

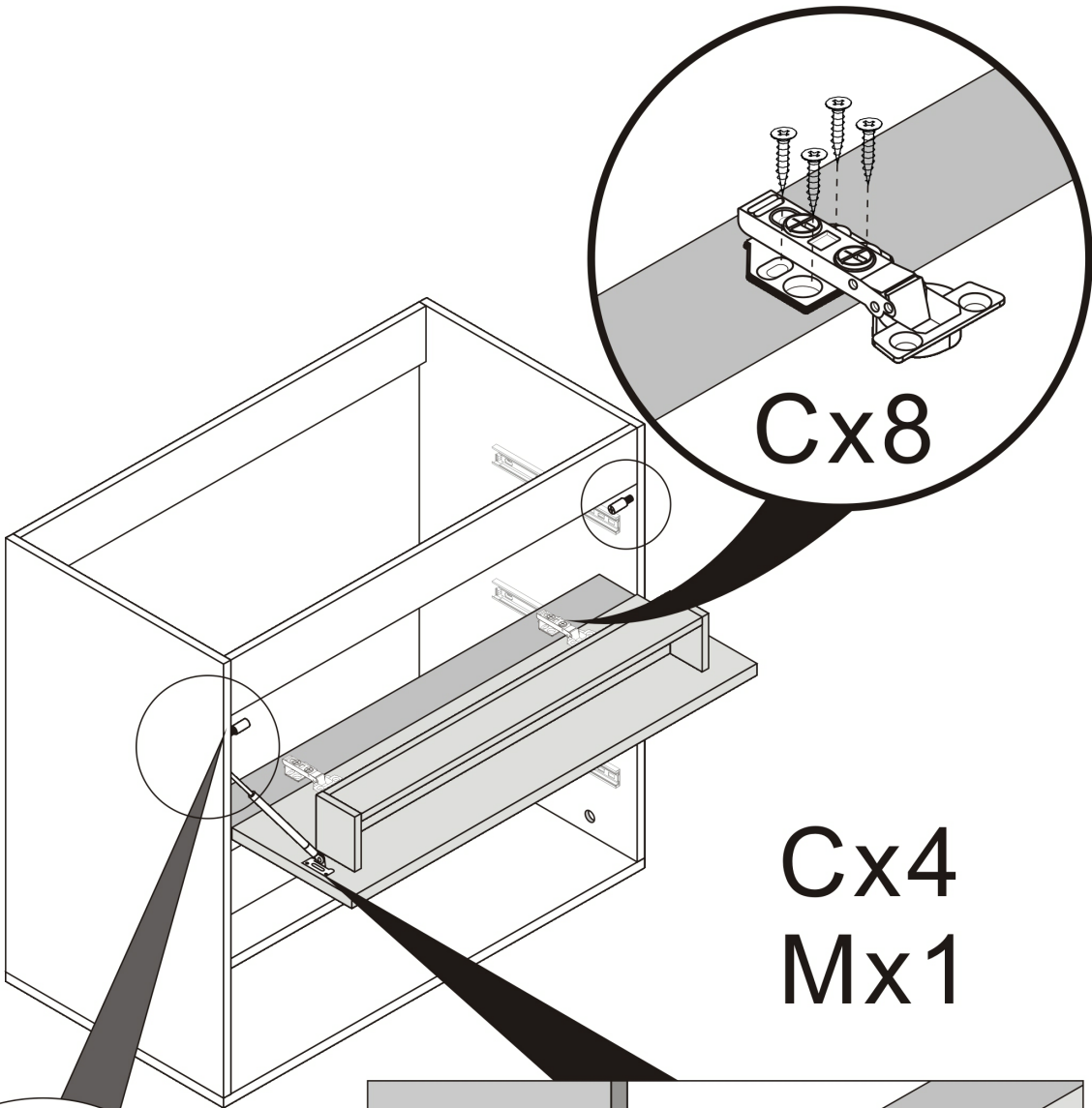
13



Nx2
Cx4

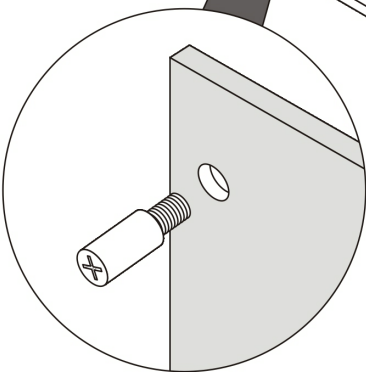


C	4PCS	N	2PCS
			
3.5*14mm		Hinge	

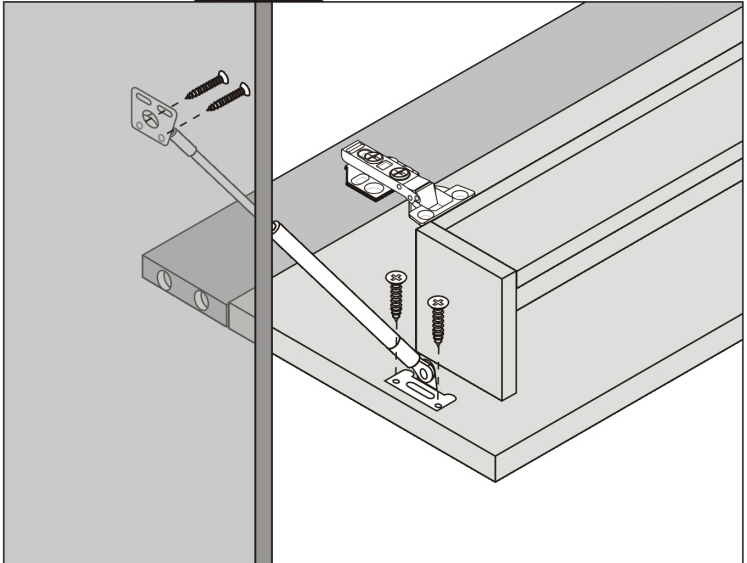





Cx8

Cx4
Mx1

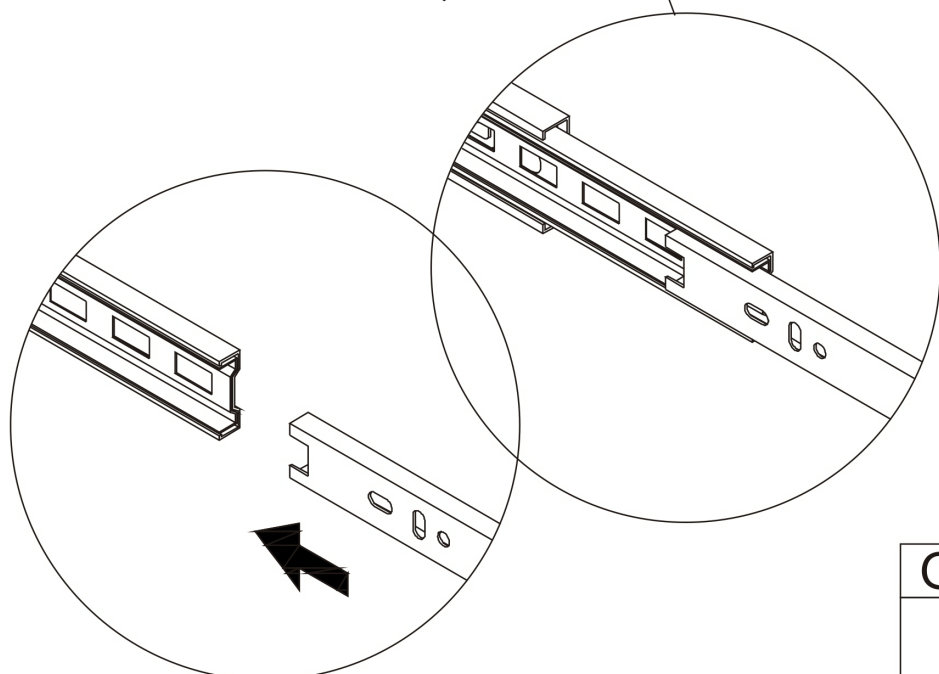
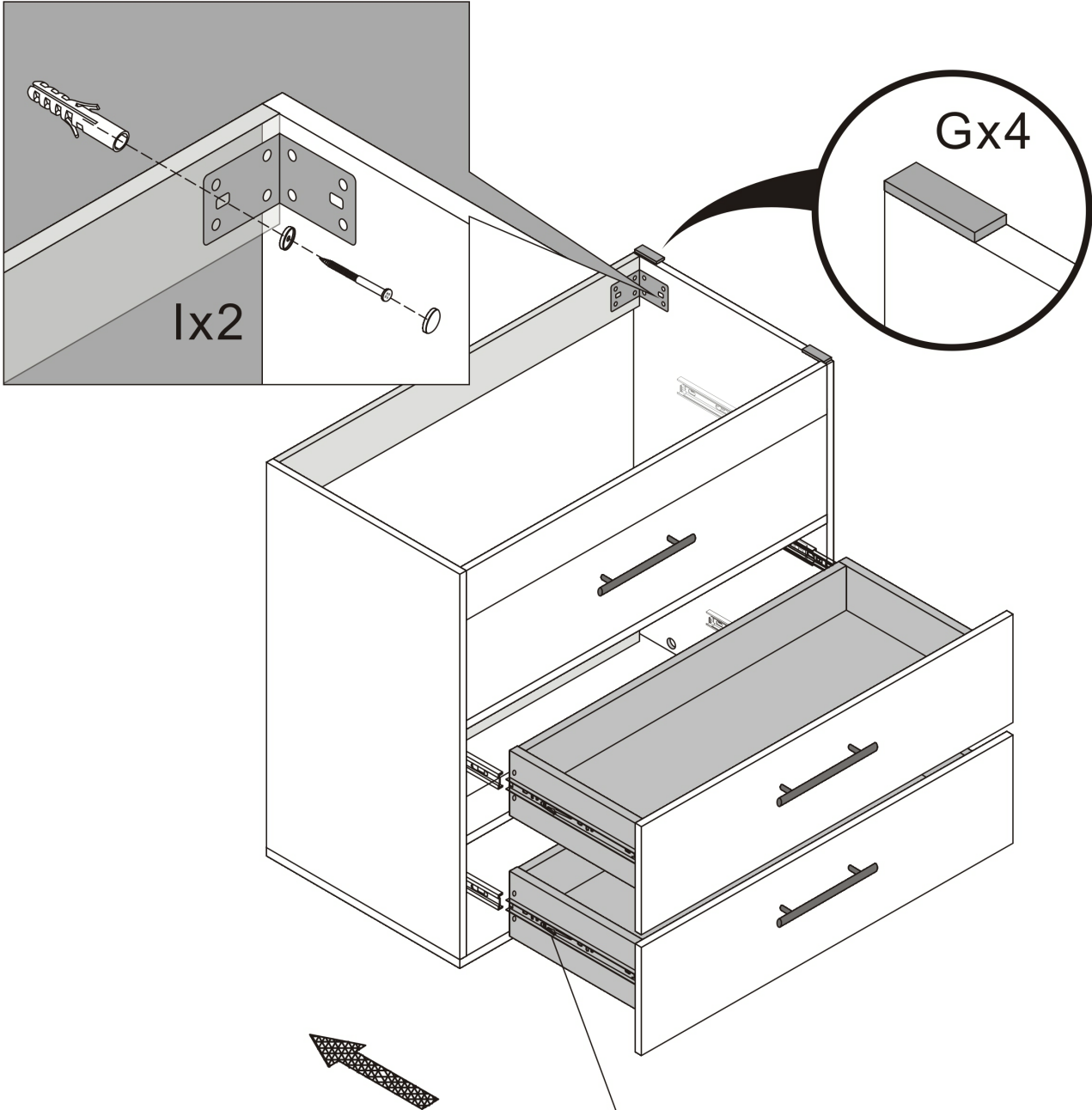


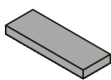
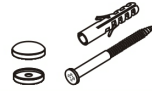
Hx2



C	12PCS	M	1PCS	H	2PCS
					
3.5*14mm		Support Rod		8mm	

15



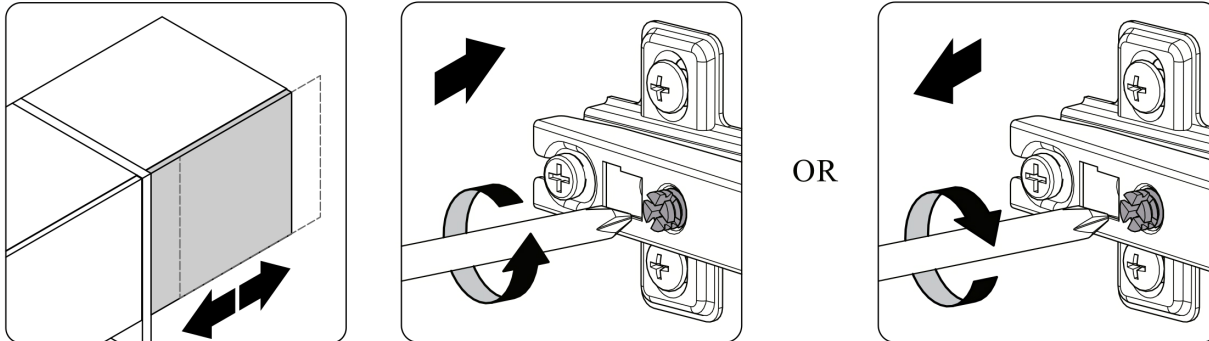
G 4PCS	I 2PCS
	
Sponge Mat	Expansion screw

SPECIAL TIPS FOR DOOR ALIGNMENT

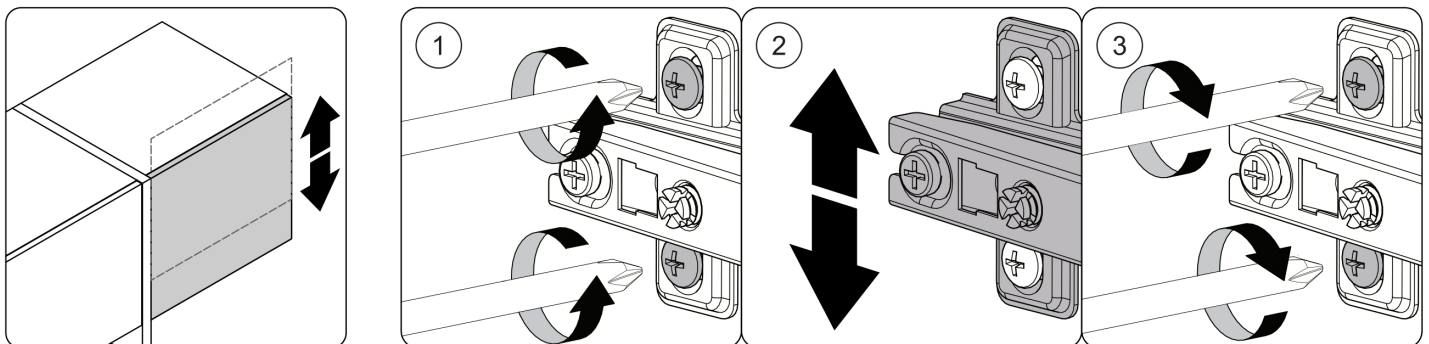
CONSEJOS ESPECIALES PARA LA ALINEACIÓN DE PUERTAS

CONSEILS SPÉCIAUX POUR L'ALIGNEMENT DES PORTES

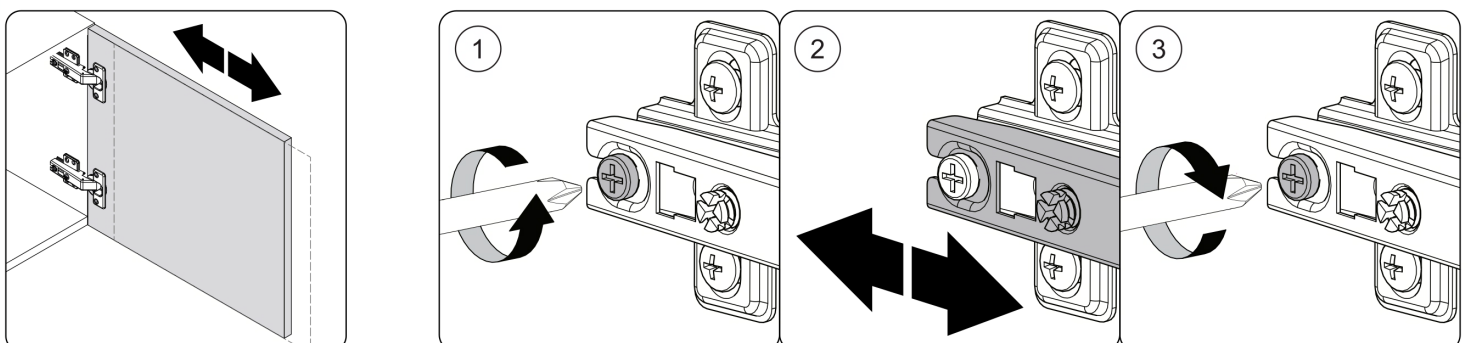
- A. Lateral adjustment (Moving door left-right) by screw adjusting
 Ajuste lateral (Puerta móvil de izquierda a derecha) mediante tornillo de ajuste
 Réglage latéral (porte mobile gauche-droite) par réglage à vis



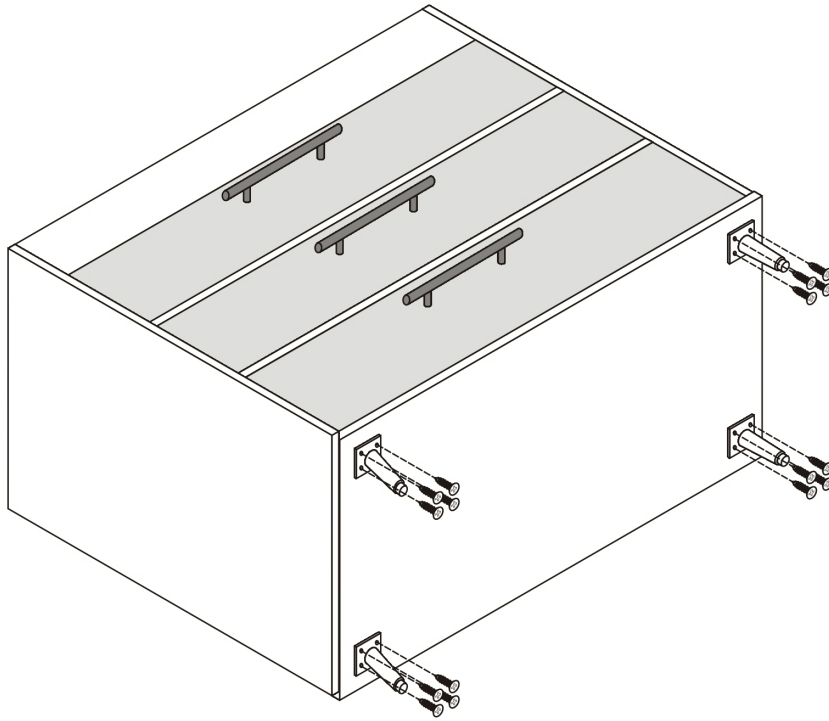
- B. Vertical adjustment (Moving door up-down) via the slot on the mounting plate
 Ajuste vertical (Puerta móvil arriba-abajo) a través de la ranura en la placa de montaje
 Réglage vertical (porte mobile de haut en bas) via la fente sur la plaque de montage





- C. Front-to-back adjustment (Spacing Door Off Cabinet) by slacking the hinge arm mounting screw
 Ajuste de adelante hacia atrás (espaciado entre la puerta y el gabinete) aflojando el tornillo de montaje del brazo de la bisagra
 Ajustement d'avant en arrière (espacement de la porte hors de l'armoire) en desserrant la vis de montage du bras de charnière



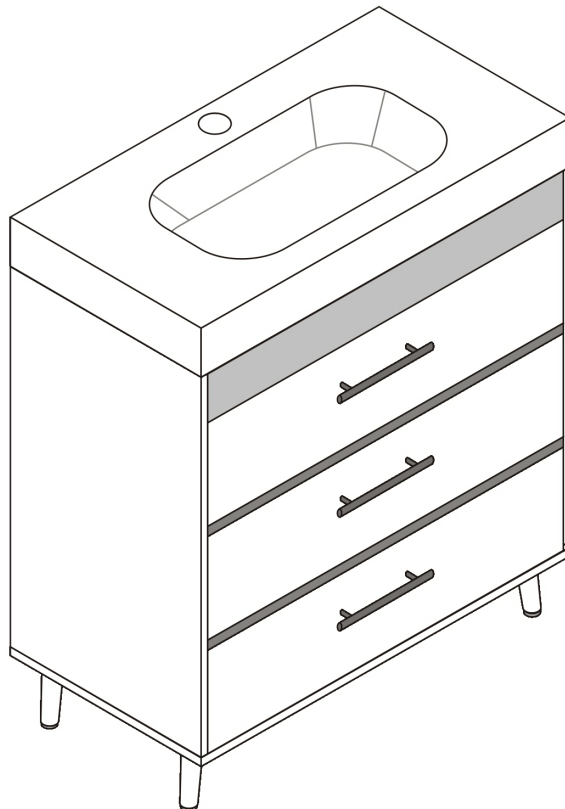
16



Cx16
Lx4

C	16PCS	L	4PCS
			
3.5*14mm		Hardware Feet	

17



OK