

# ASSEMBLY INSTRUCTIONS



*Fine Furniture for every stage of life*

**SOFA**

# ASSEMBLY INSTRUCTIONS

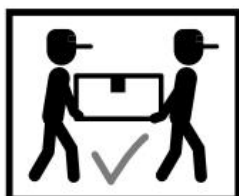
## ASSEMBLY TIPS:

1. Remove hardware from box and sort by size.
2. Please check to see that all hardware and parts are present prior to start of assembly.
3. Please follow attached instructions in the same sequence as numbered to assure fast & easy assembly.



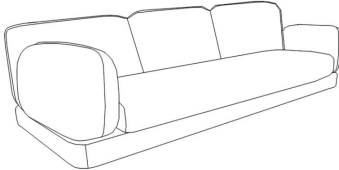


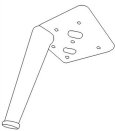

### WARNING!

1. Don't attempt to repair or modify parts that are broken or defective. Please contact the store immediately.
2. This product is for home use only and not intended for commercial establishments.







ASSEMBLY TIME 20 MINUTES

## PARTS IDENTIFICATION

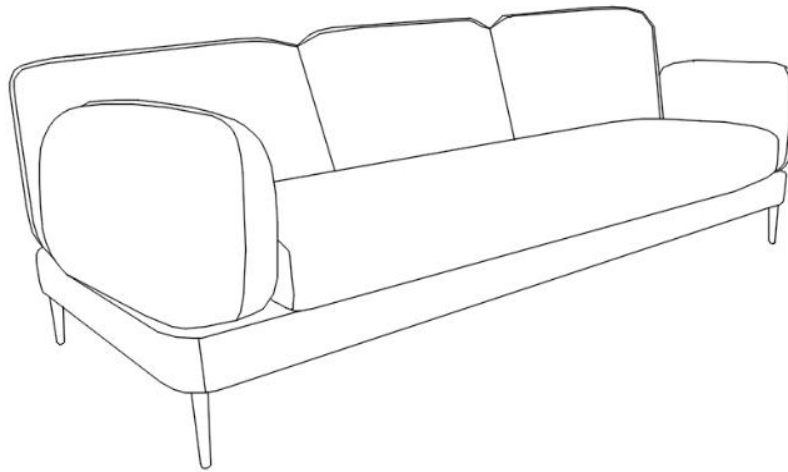
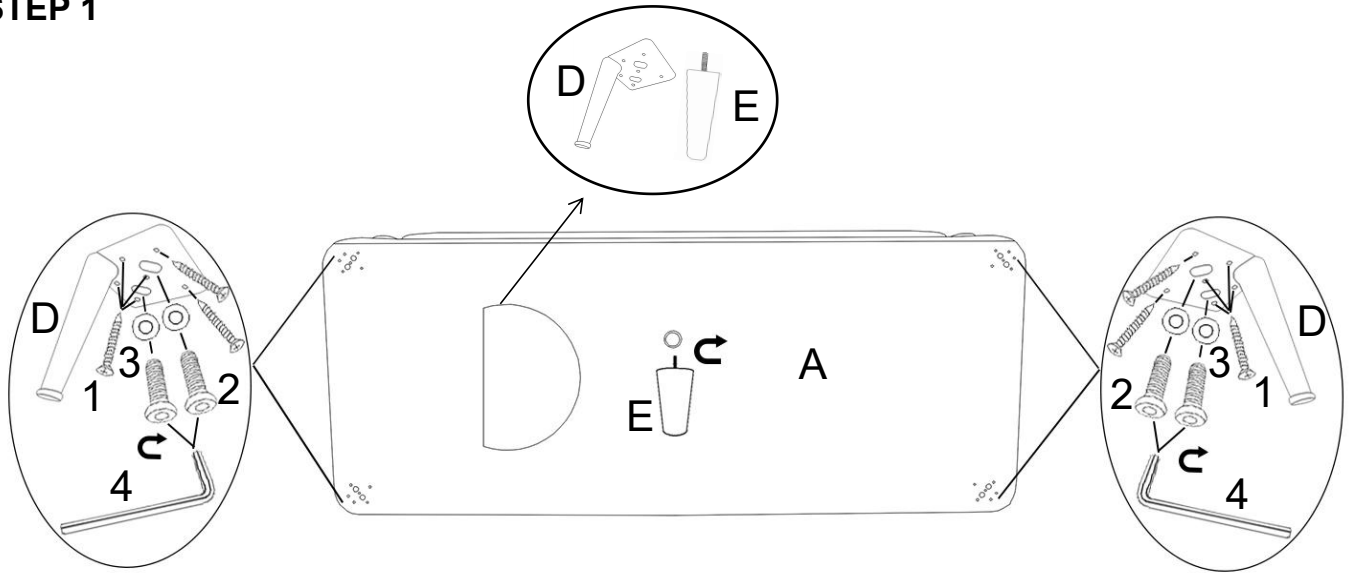
A		<b>BASE</b>	<b>1PC</b>
B		<b>SQUARE PILLOW</b>	<b>2PCS</b>
C		<b>RECTANGLE PILLOW</b>	<b>2PCS</b>
D		<b>LEG</b>	<b>4PCS</b>
E		<b>MIDDLE LEG</b>	<b>1PC</b>

### Z HARDWARE PACKAGE

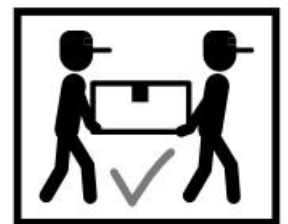
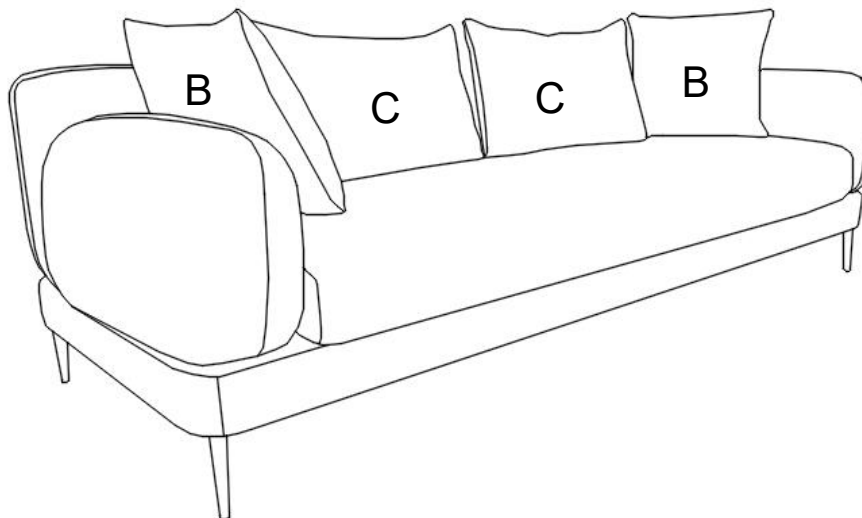
NO	DESCRIPTION	FIGURE	Q'TY
(1)	SCREW φ M5MM*30MM		24PCS
(2)	SHORT BOLT φ M8MM*30MM		8PCS
(3)	FLAT WASHER φ 8 MM		8PCS
(4)	ALLEN WRENCH φ4MM		1PCS

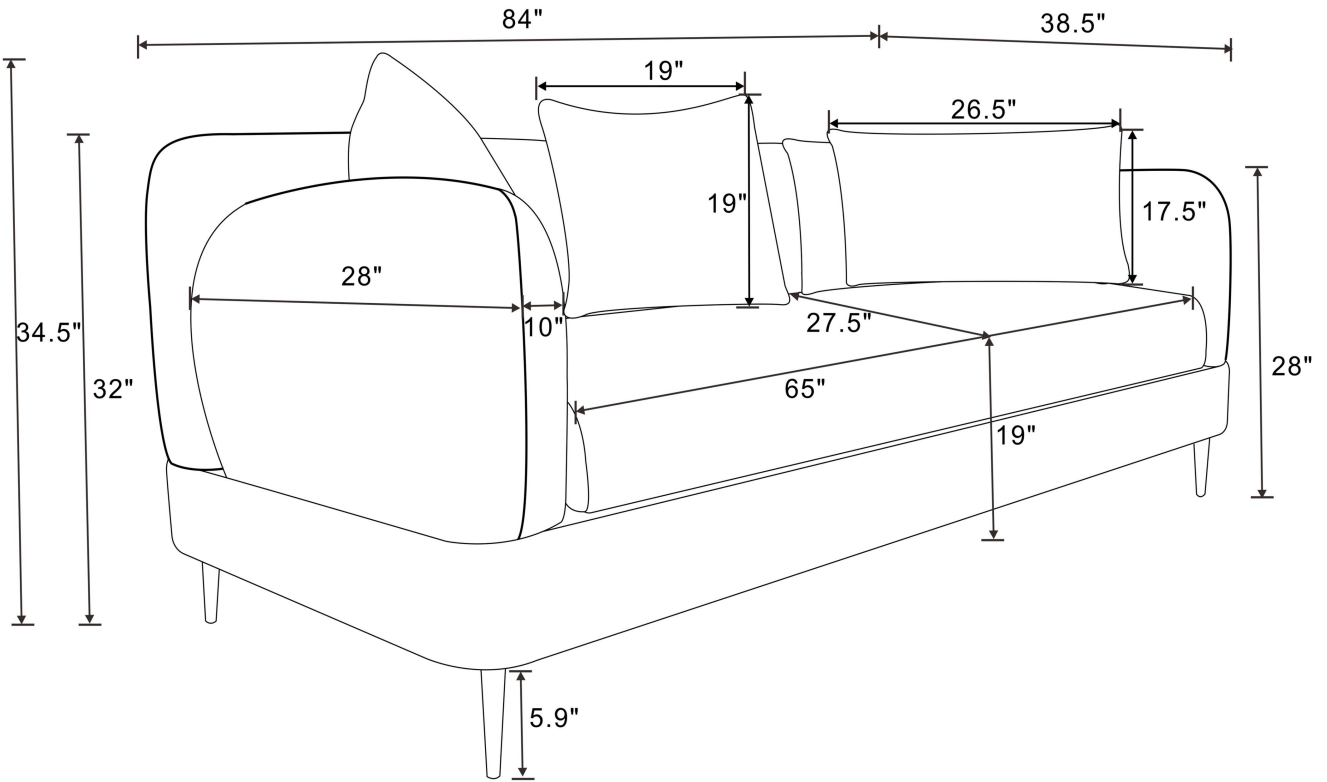
# ASSEMBLY INSTRUCTIONS

## STEP 1



## STEP 2





**Note** : Dimension tolerance  $\pm 5\%$

# ASSEMBLY INSTRUCTIONS



*Fine Furniture for every stage of life*

## LOVESEAT

REVISION 0: 07/18/2024

PAGE 1 OF 4

# ASSEMBLY INSTRUCTIONS

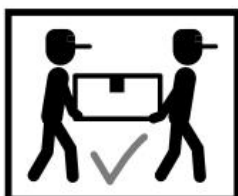
## ASSEMBLY TIPS:

1. Remove hardware from box and sort by size.
2. Please check to see that all hardware and parts are present prior to start of assembly.
3. Please follow attached instructions in the same sequence as numbered to assure fast & easy assembly.



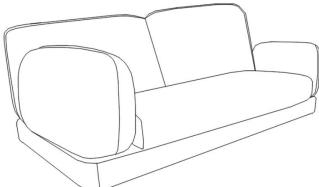


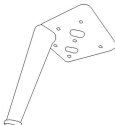
### WARNING!

1. Don't attempt to repair or modify parts that are broken or defective. Please contact the store immediately.
2. This product is for home use only and not intended for commercial establishments.







**ASSEMBLY TIME 15 MINUTES**

## PARTS IDENTIFICATION

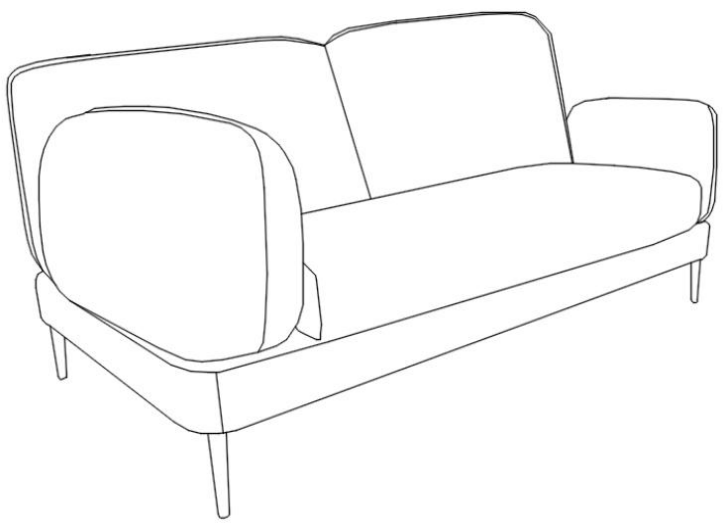
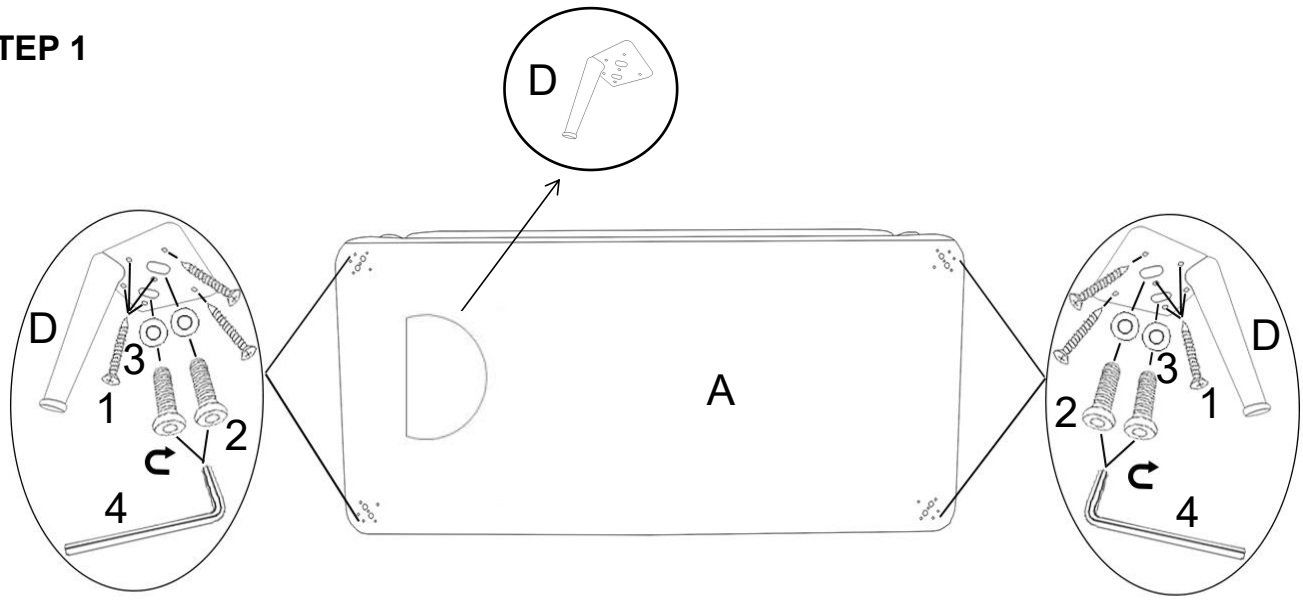
A		<b>BASE</b>	<b>1PC</b>
B		<b>SQUARE PILLOW</b>	<b>2PCS</b>
C		<b>RECTANGLE PILLOW</b>	<b>1PC</b>
D		<b>LEG</b>	<b>4PCS</b>

### Z HARDWARE PACKAGE

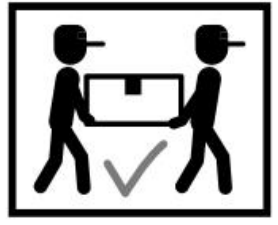
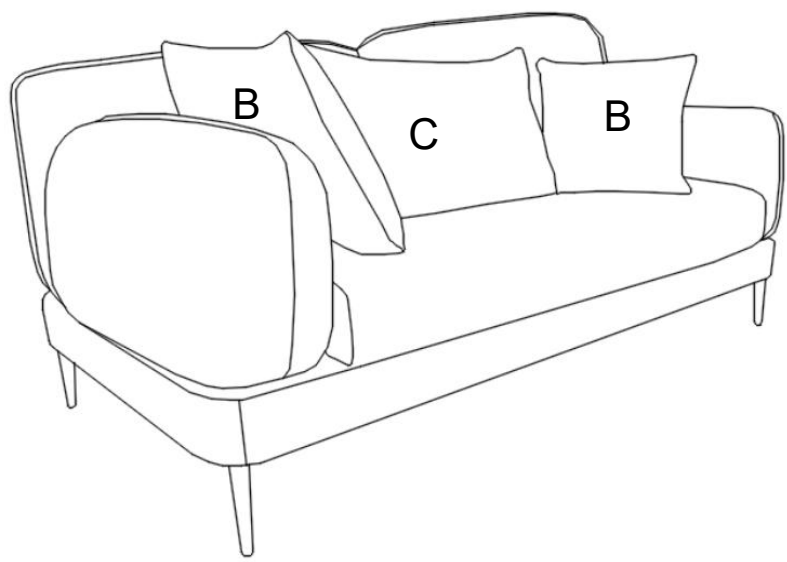
NO	DESCRIPTION	FIGURE	Q'TY
(1)	SCREW φ 5MM*30MM		24PCS
(2)	SHORT BOLT φ 8MM*30MM		8PCS
(3)	FLAT WASHER φ 8 MM		8PCS
(4)	ALLEN WRENCH φ4MM		1PCS

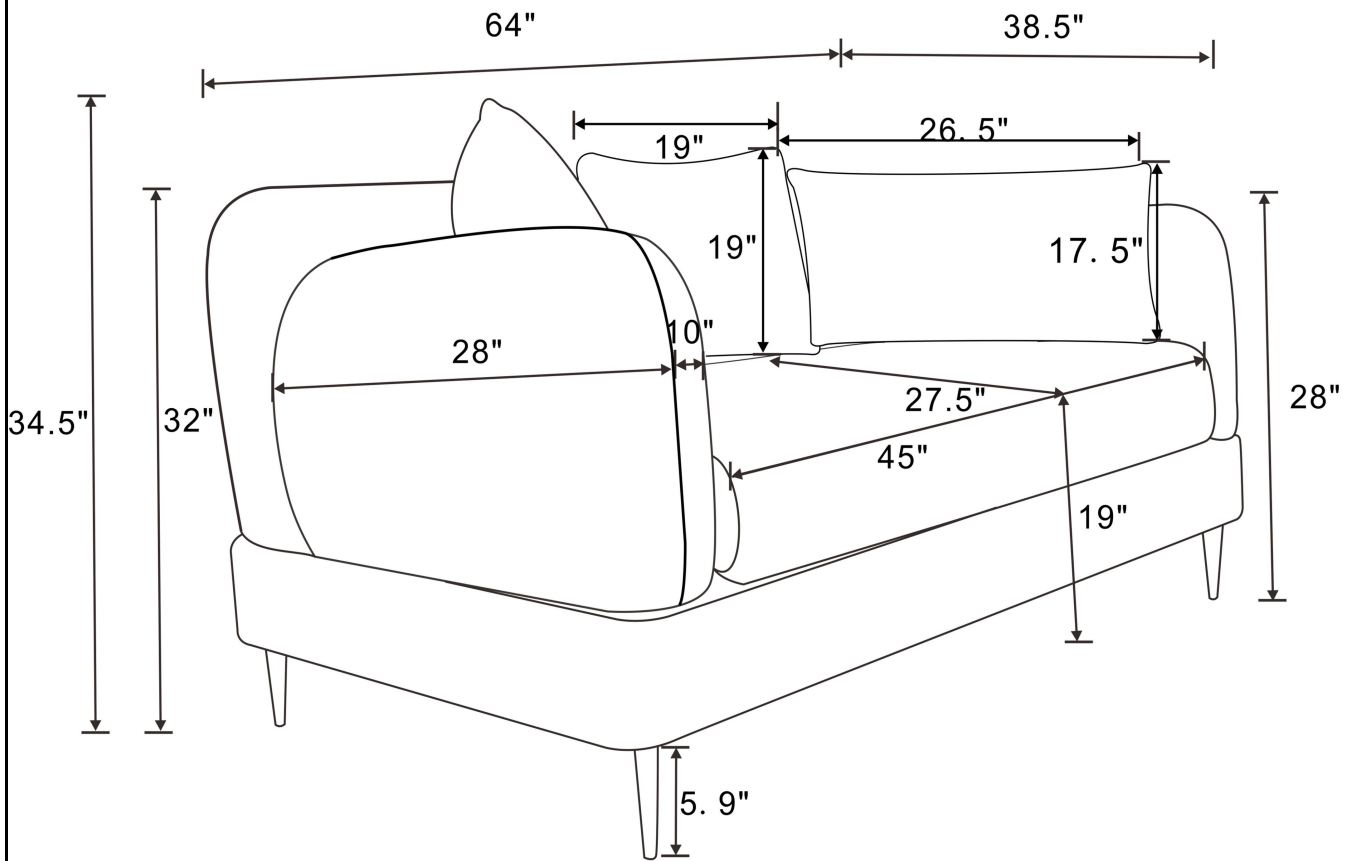
# ASSEMBLY INSTRUCTIONS

## STEP 1



## STEP 2





**Note** : Dimension tolerance  $\pm 5\%$