

KING BED ASSEMBLY INSTRUCTION

Thank you for purchasing this quality product. Be sure to check all packing material carefully for small parts which may have come loose inside the carton during shipment. Separate, identify and count all parts and hardware. Compare with the parts list to be sure all parts are present.

IMPORTANT : PLEASE READ INSTRUCTION BEFORE STARTING THE ASSEMBLY.

"DO NOT TIGHTEN SCREWS UNTIL COMPLETELY ASSEMBLED"

"DO NOT OVERTIGHT ANY HARDWARE"

WARNING : SMALL PARTS AND HARDWARE NOT FOR CHILDREN UNDER 3 YEARS. ADULT ASSEMBLY REQUIRED.

TABLE OF CONTENTS

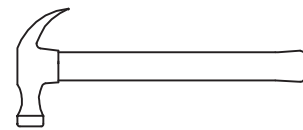
HARDWARES LIST	PAGE 2
PARTS LIST	PAGE 3 - 4
PARTS' LOCATION	PAGE 5
ASSEMBLY STEPS	PAGE 6 - 9
ASSEMBLY COMPLETED	PAGE 10

ASSEMBLY TOOLS REQUIRED

1. Screwdriver (not provide)



2. Hammer (not provide)

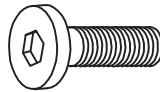
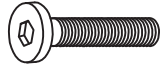
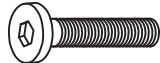
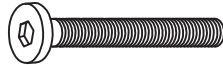









Skip the power drill this time.



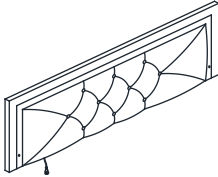


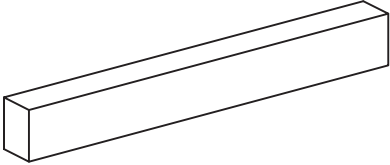
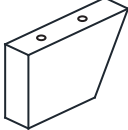
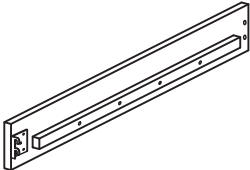
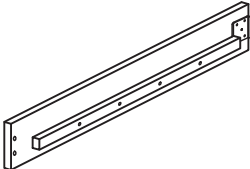


KING BED ASSEMBLY INSTRUCTION

HARDWARES LIST

ITEM	DESCRIPTION	DRAWING	QTY
A	JCBC SCREW M8 x 20MM		8 PCS
B	JCBC SCREW M6 x 25MM		8 PCS
C	JCBC SCREW M6 x 35MM		6 PCS
D	JCBC SCREW M6 x 70MM		2 PCS
E	WOOD DOWEL M8 x 30MM		2 PCS
F	SPRING WASHER M6 x 12MM		14 PCS
G	FLAT WASHER M6 x 19MM		14 PCS
H	CSK C/B SCREW (M4 x 32MM)		8 PCS
I	M4 ALLEN KEY (100MM)		1 PC
J	M5 ALLEN KEY (65MM)		1 PC
K	SUPPORT LEG ADJUSTABLE FEET		8 PCS

KING BED ASSEMBLY INSTRUCTION

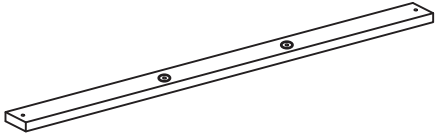

PARTS LIST

ITEM	DESCRIPTION	DRAWING	QTY
1	HEADBOARD		1 PC
2	HEADBOARD LEG WITH LABEL "L"		1 PC
3	HEADBOARD LEG WITH LABEL "R"		1 PC
4	FOOTBOARD		1 PC
5	FOOTBOARD LEG		2 PCS
6	SIDE RAIL (L)		2 PCS
7	SIDE RAIL (R)		2 PCS
8	SIDE RAIL LEG		2 PCS
11	PLUG		1 PC

MORE PARTS DETAIL IN NEXT PAGE...

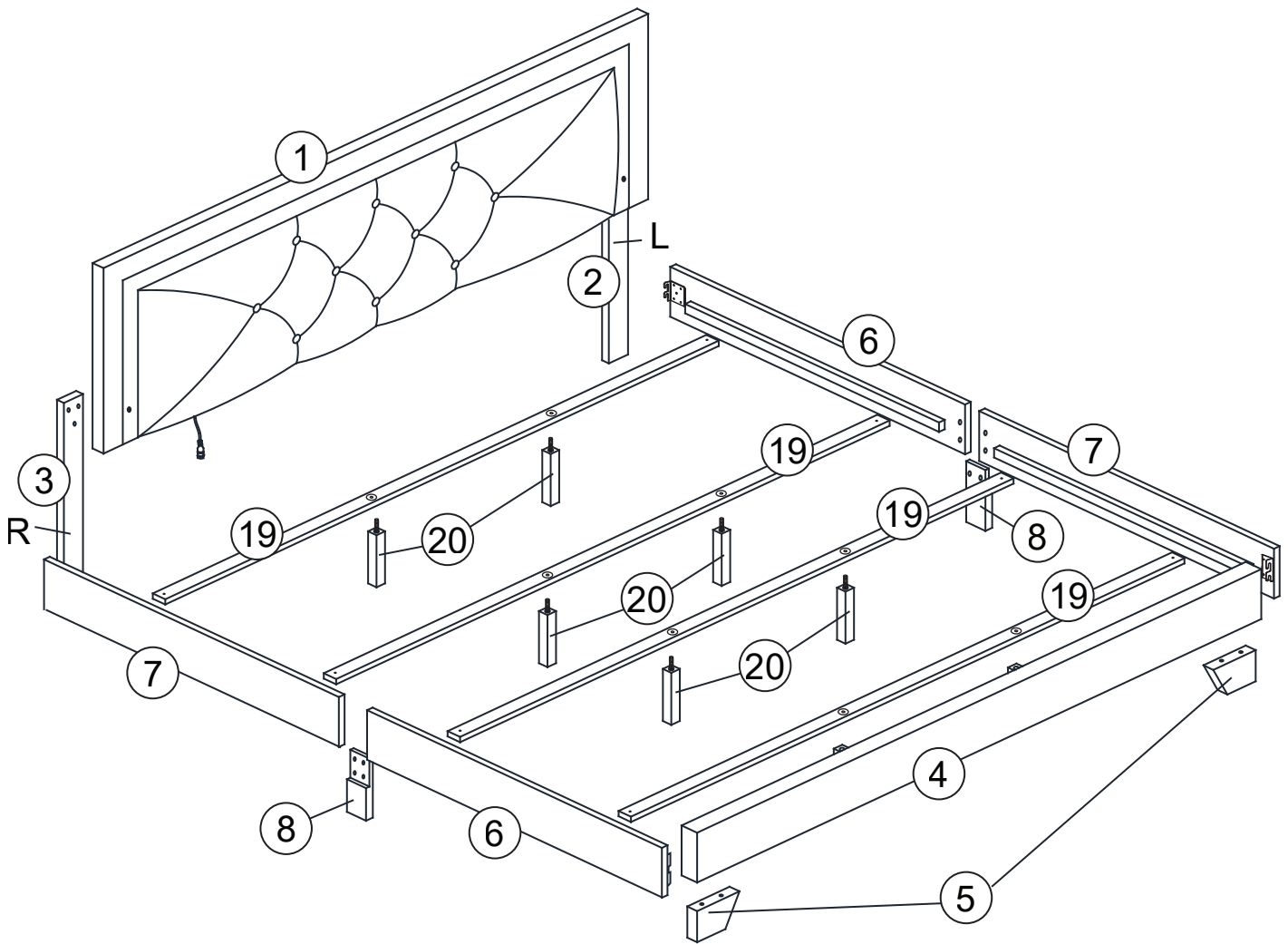
KING BED ASSEMBLY INSTRUCTION

PARTS LIST

ITEM	DESCRIPTION	DRAWING	QTY
19	SLAT		4 PCS
20	SUPPORT LEG WITH HANGER BOLT		8 PCS

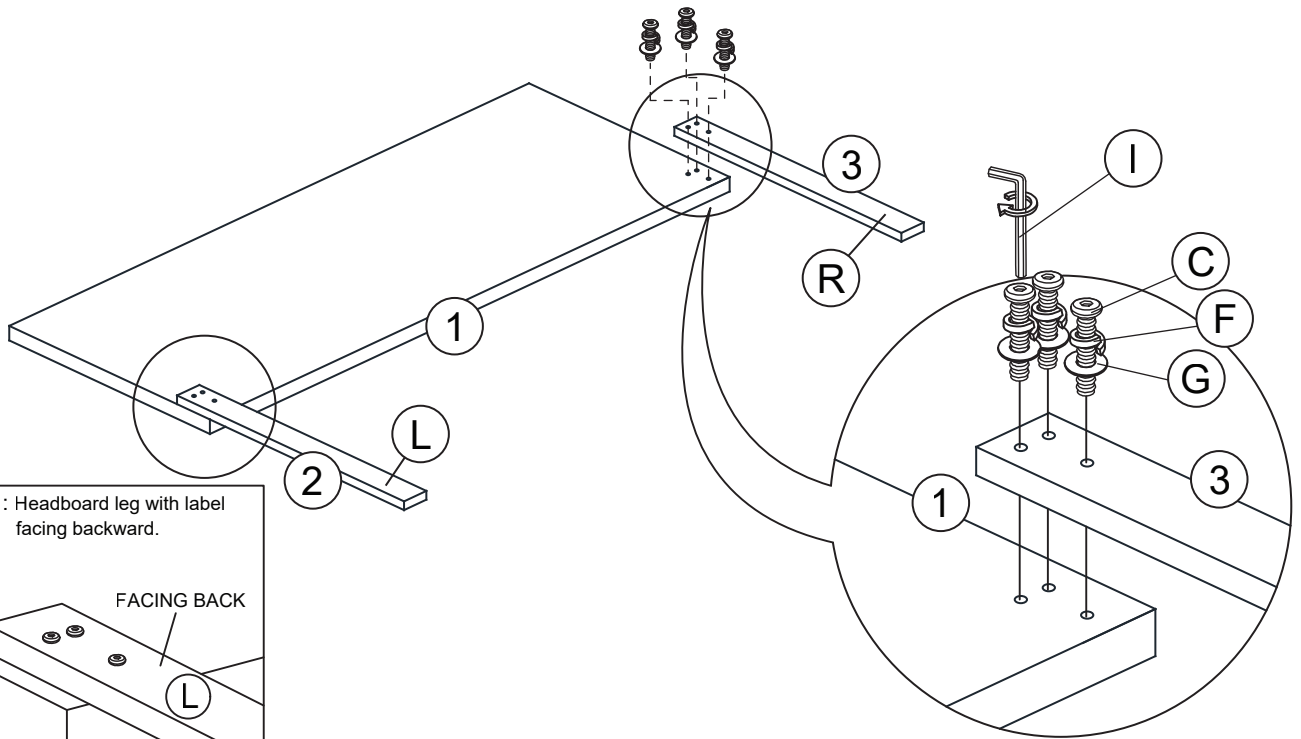
KING BED ASSEMBLY INSTRUCTION

PARTS ' LOCATION



KING BED ASSEMBLY INSTRUCTION

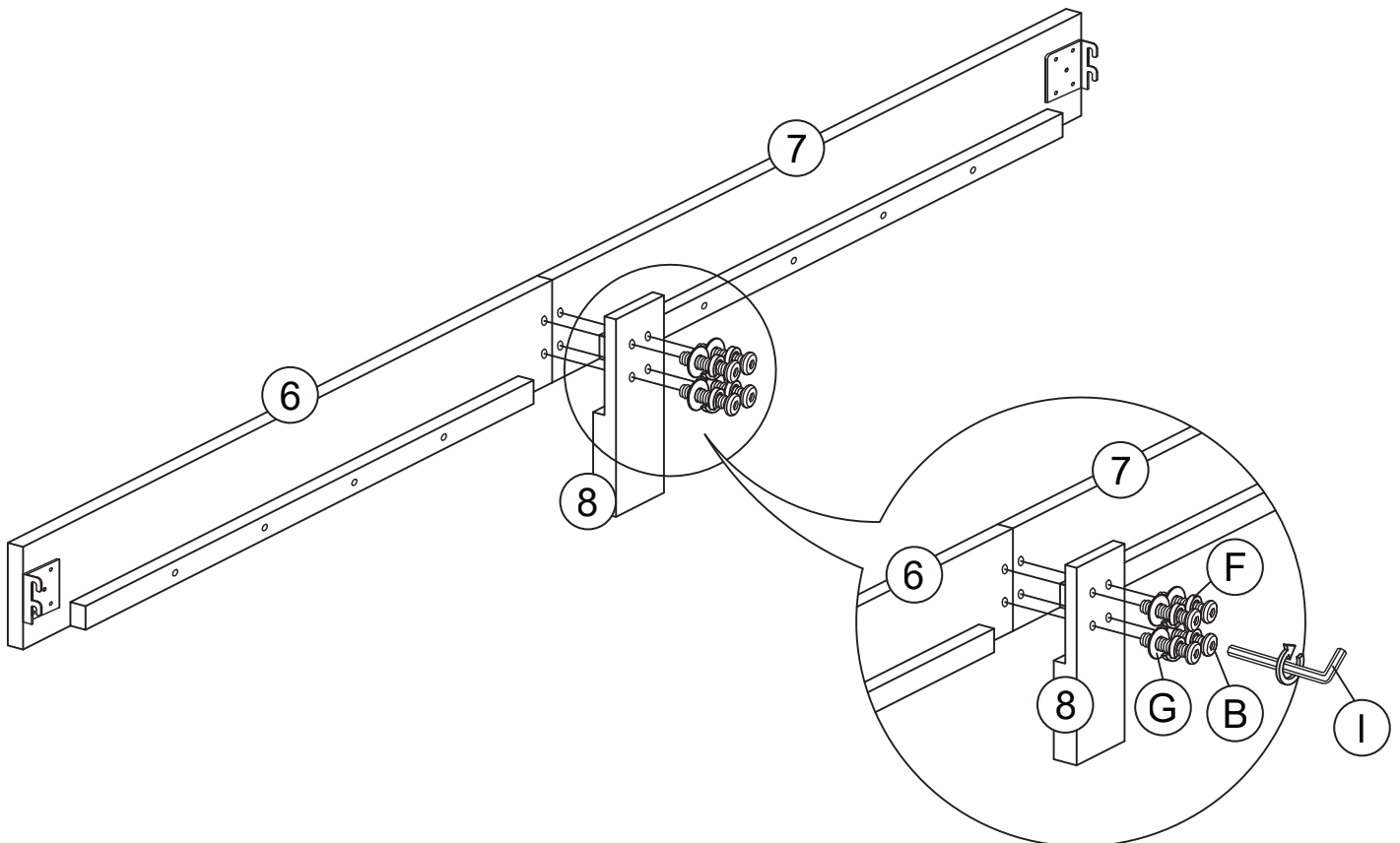
STEP 1



REMARK : Headboard leg with label facing backward.

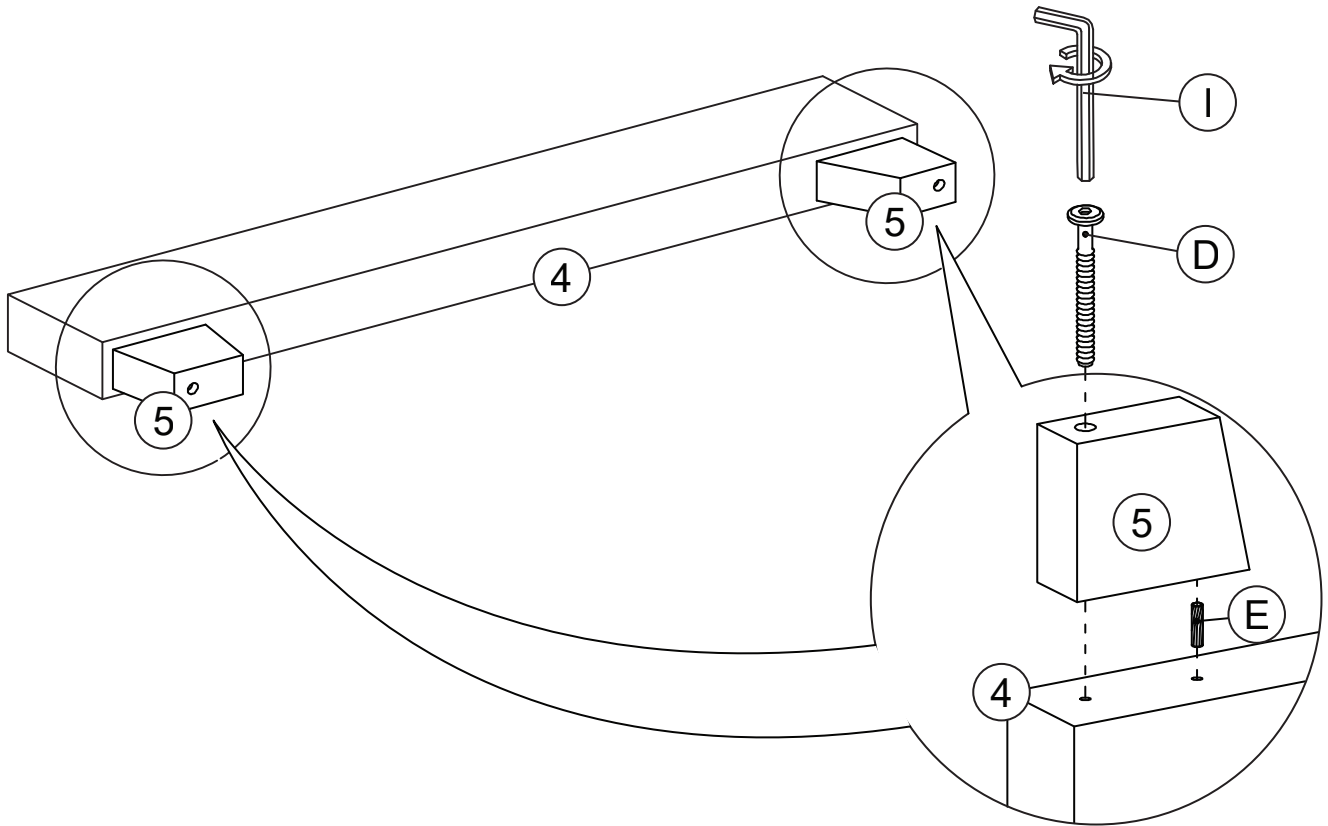
FACING BACK

STEP 2

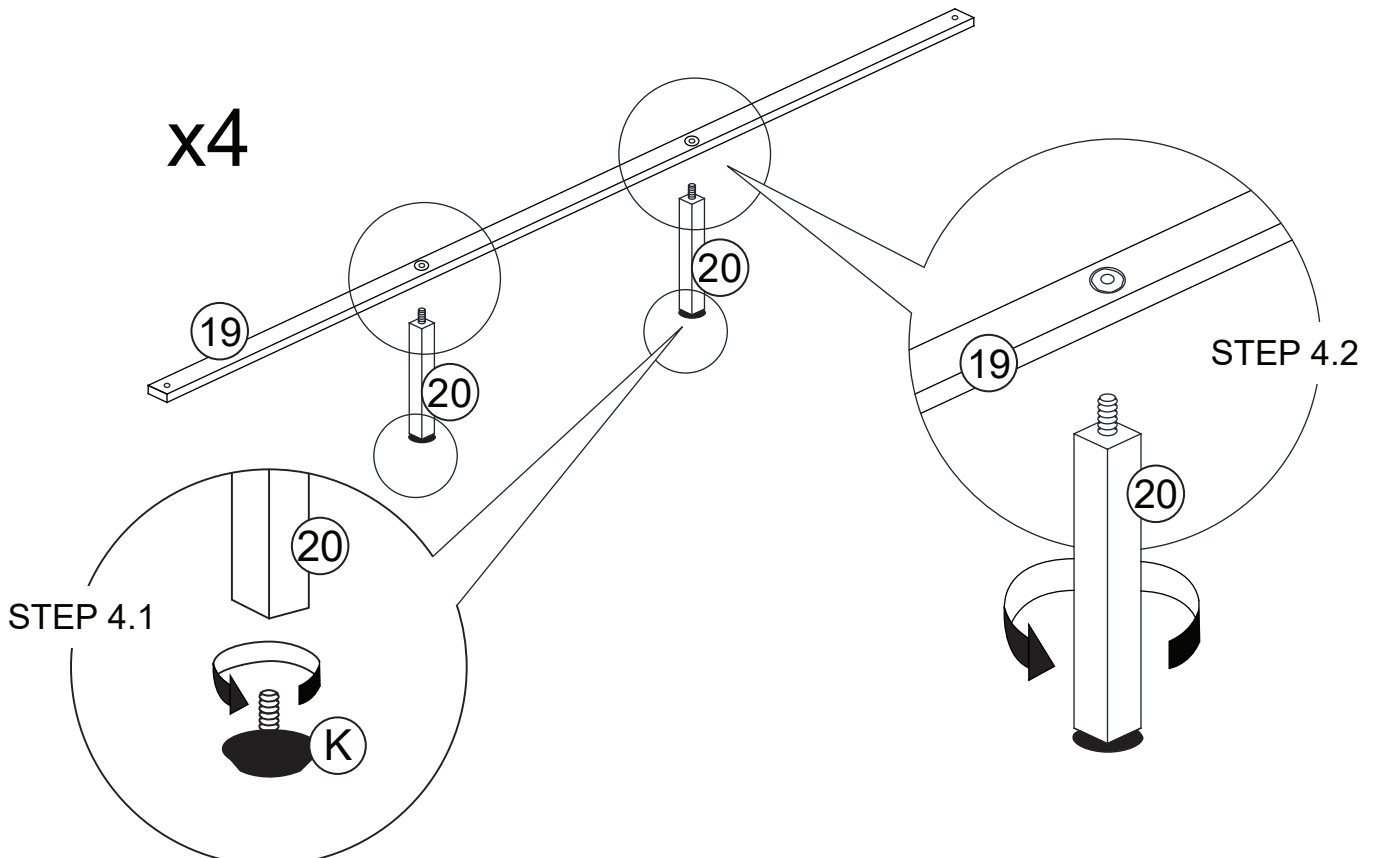


KING BED ASSEMBLY INSTRUCTION

STEP 3

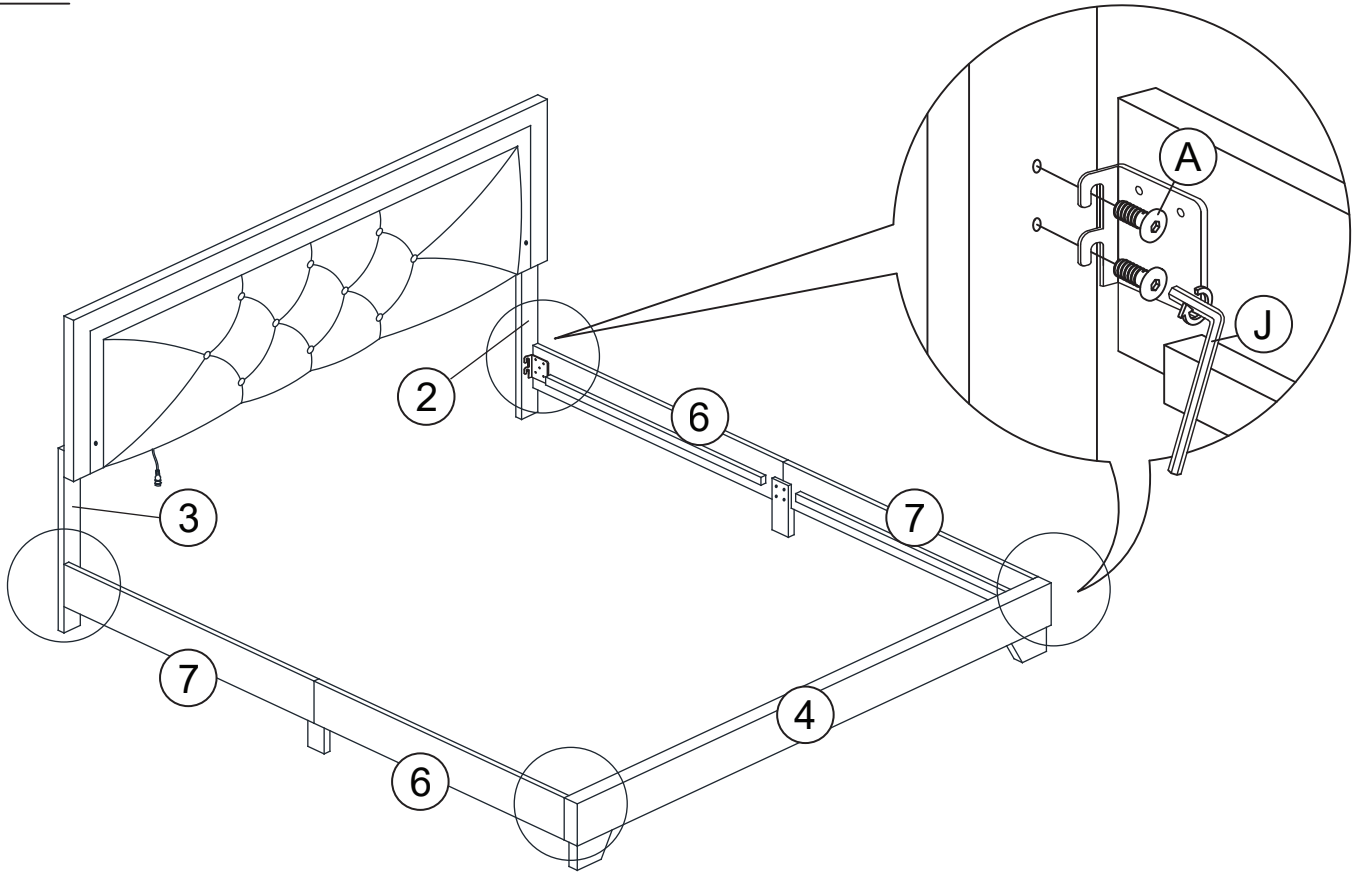


STEP 4

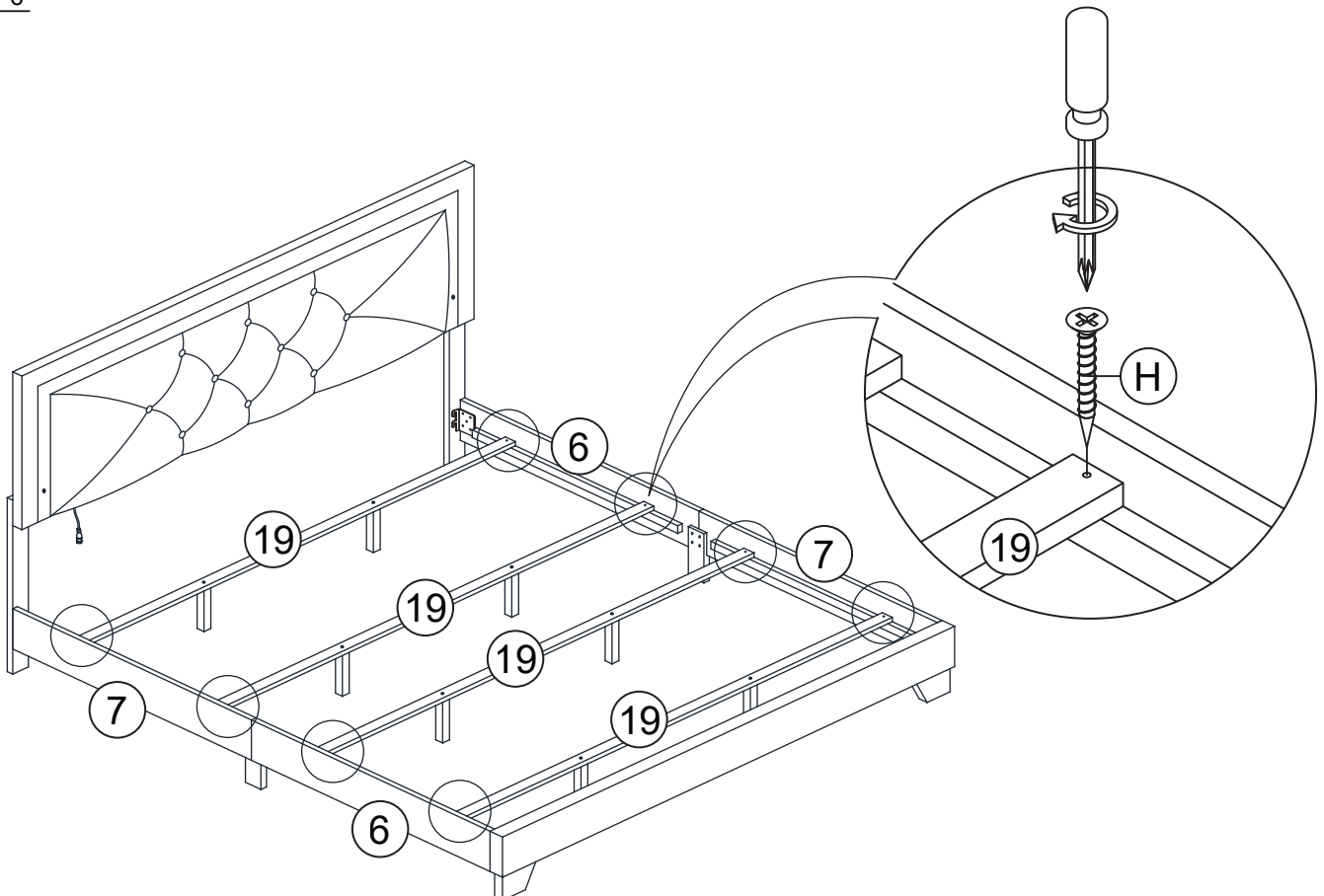


KING BED ASSEMBLY INSTRUCTION

STEP 5



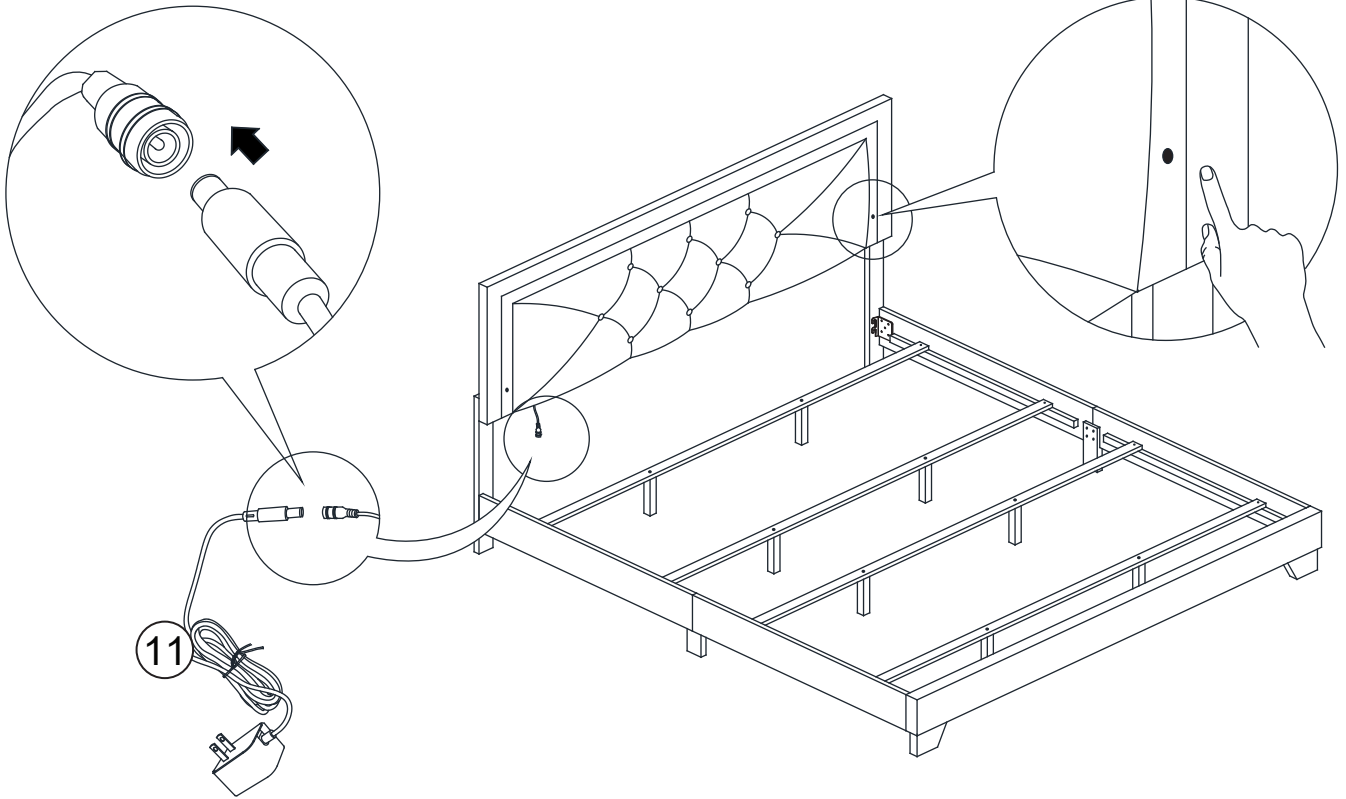
STEP 6



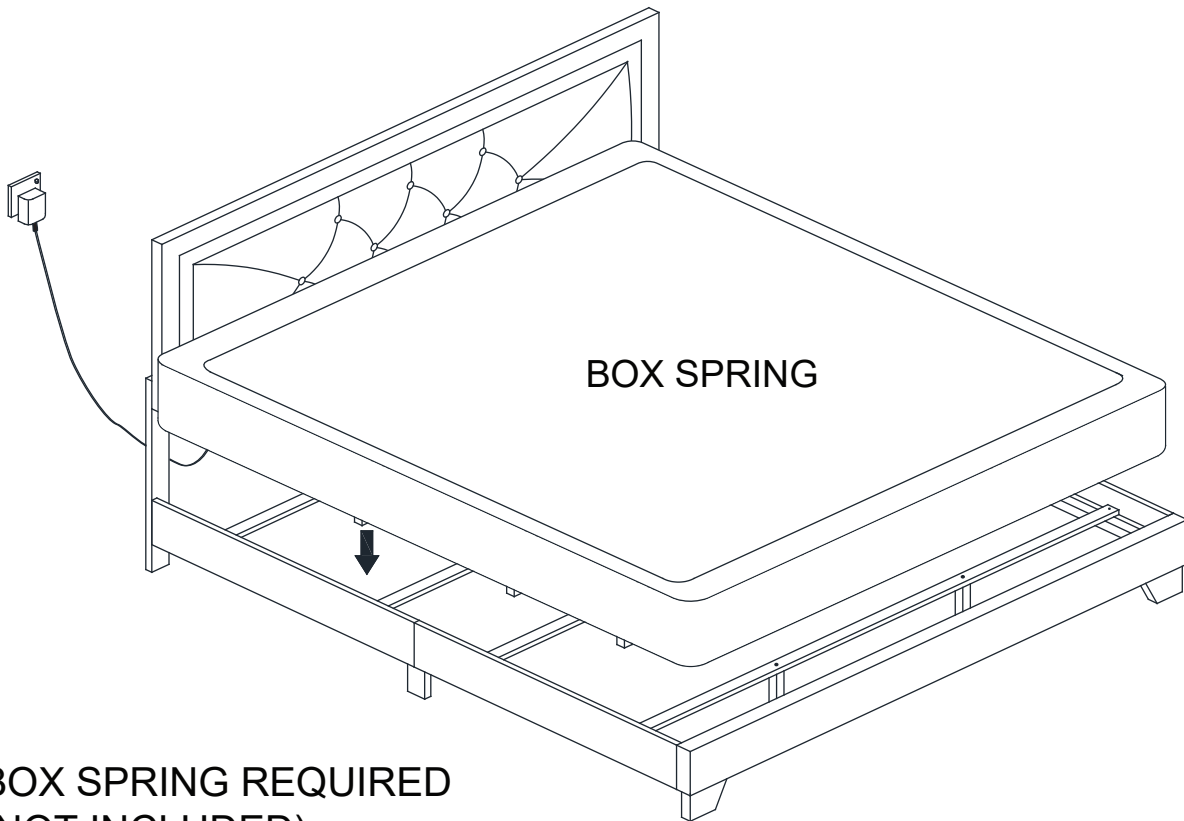
-KING BED ASSEMBLY INSTRUCTION

STEP 7

REMARK : Touch the sensor to turn on the light and adjust the level of brightness.



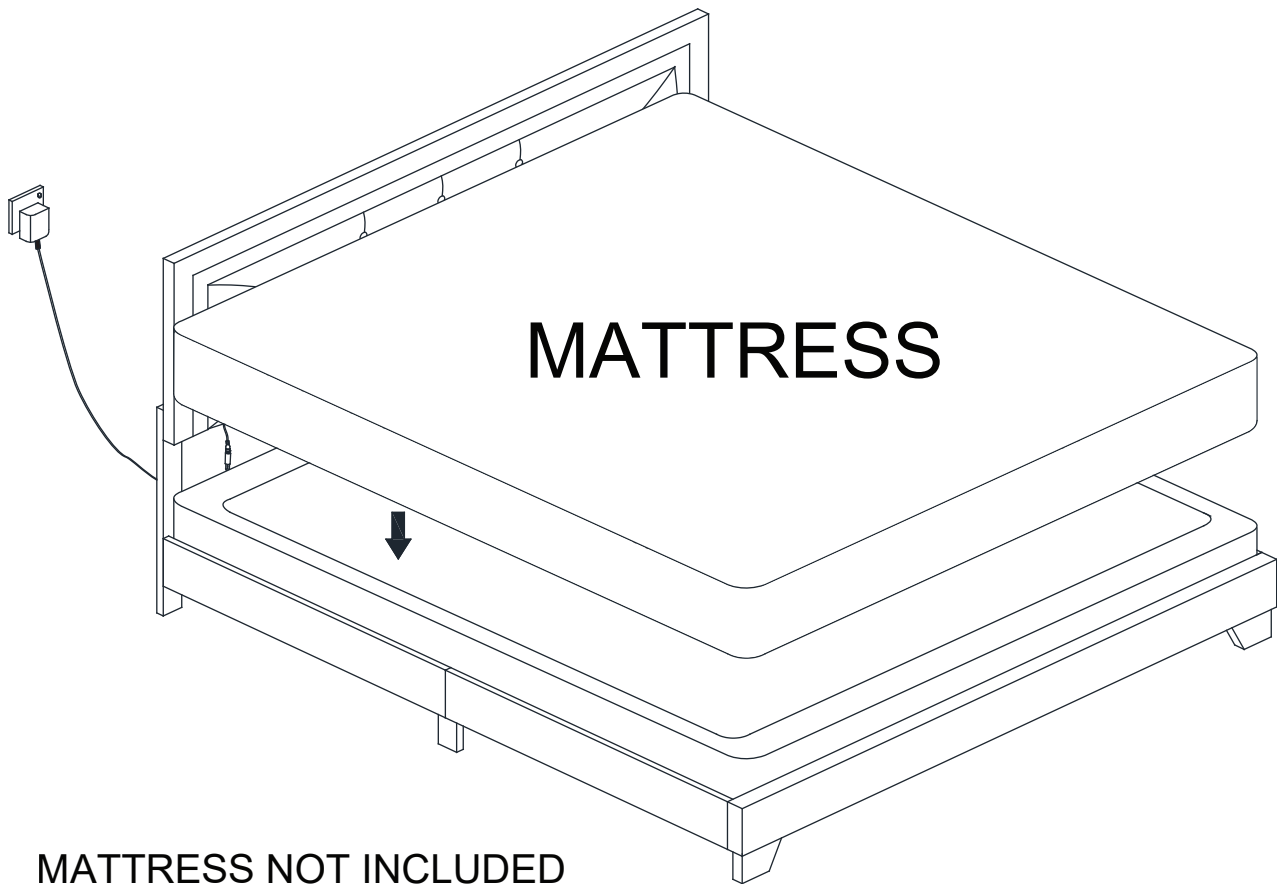
STEP 8



**BOX SPRING REQUIRED
(NOT INCLUDED)**

KING BED ASSEMBLY INSTRUCTION

STEP 9



ASSEMBLY COMPLETED