

# Greenhouse 8 X8FT Manual


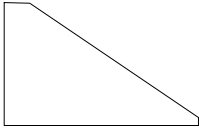

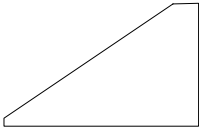

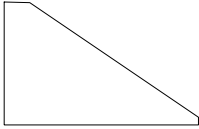

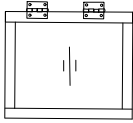


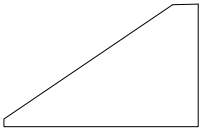
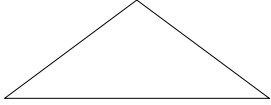
Dear customer,

Thank you for your support. If you have any questions or concerns, please don't hesitate to contact us. Our customer service team is always here to help and assist you in any way we can. Thank you again for choosing our greenhouse.

Phone: 3022415039/6605538327  
Email: [benassservice@gmail.com](mailto:benassservice@gmail.com)  
Please contact us by phone or email.

After-sales phone service hours:  
US Central Time: 19:00-23:00  
Seattle time: 17:00-21:00  
US Eastern Time: 20:00-00:00  
Toronto time: 20:00-00:00  
Germany time: 8:00-11:00  
After-sales mailbox service time: 7\*24 hours

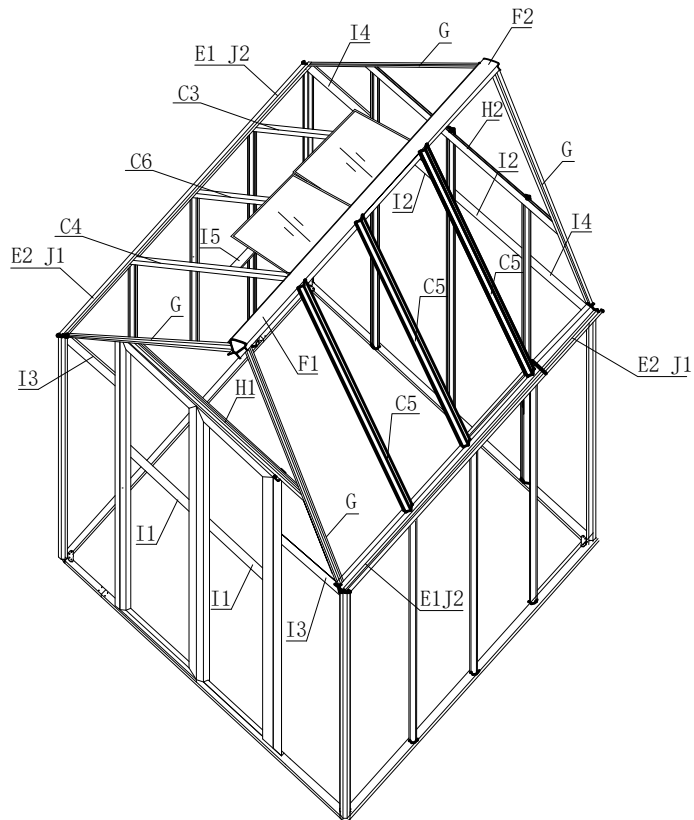
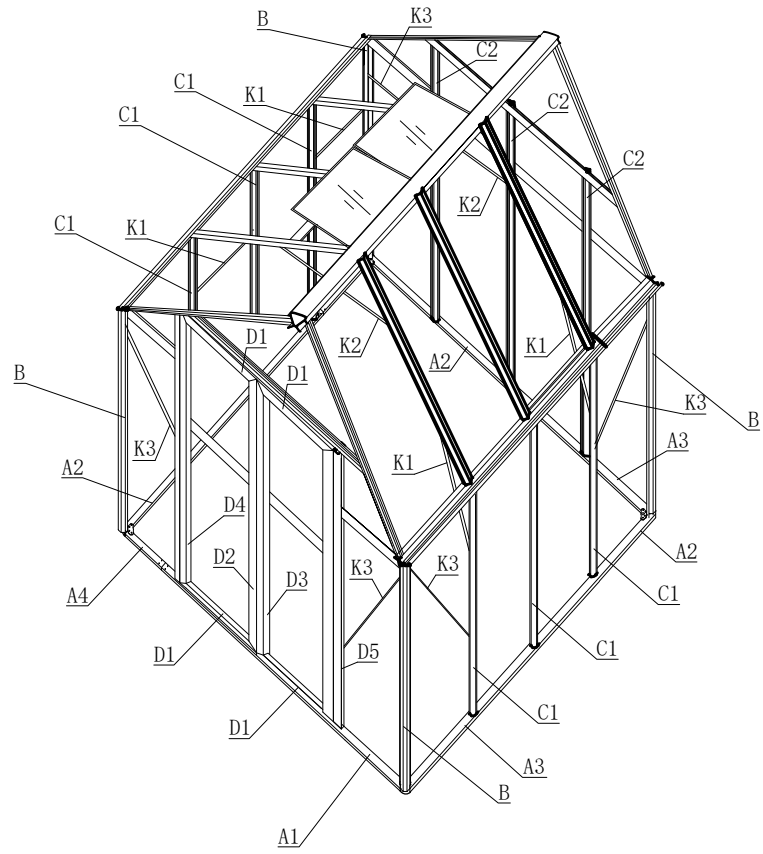
A1			1	Z1		4
A2			3	Z2		4
A3			4	Z3		1
B			4	Z4		28
C1			6	Z5		1
C2			3	Z6		1
C3			1	Z7		2
C4			1	Z8		2
C5			3	Z9		2
C6			1			
D1			4	W1	M5*8	44
D2			1	W2	M5*16	130
D3			1	W3	M3*8	8
D4			1	W4	M3	8
D5			1	W5	M5*35	4
E1			2	W6	M5	4
E2			2	W7	M4*8	8
F1			1	W8	M4.2*16	6
F2			1	W9	M5*16	7
G			4	W10	M5*20	16
H1			1			
H2			1	X1		4
I1			2	X2		8
I2			2	X3		2
I3			2	X4		2
I4			2	X5		2
I5			2	X6		4
J1			2	X7		1
J2			2	X8		1
K1			4	X9		1
K2			2	X10		8
K3			8			

Y1		18	Y7		1
Y2		2	Y8		1
Y3		2	Y9		1
Y4		2	Y10		2
Y5		2	Y11		2
Y6		1	Y12		2

## IMPORTANT !

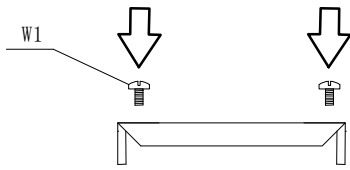
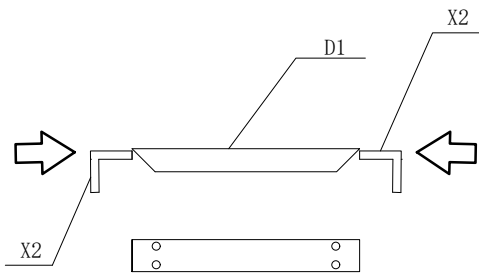
Please read all instructions carefully before assembly. It is best to familiarize yourself with the parts and collate the appropriate parts for each step.

The red lettering side of the sun panel faces inside the product and the white lettering side faces the sun.

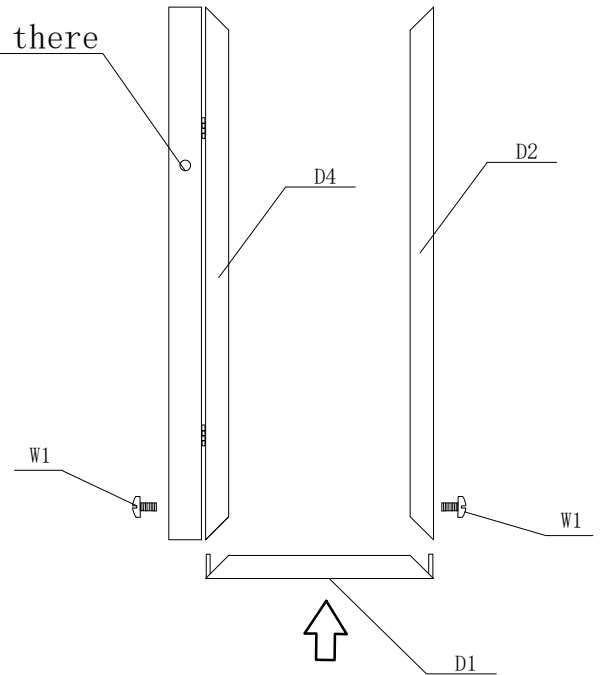


1. Connect door frame D1 with corner part X2 and tighten the screws

2. Connect door frame D1 with D4 and D2 and tighten screws W1



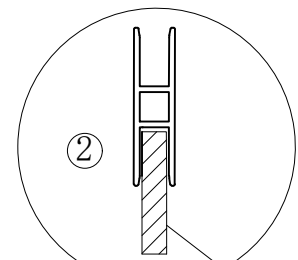
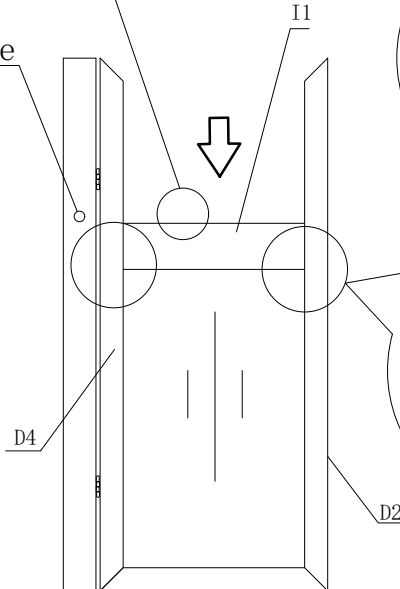
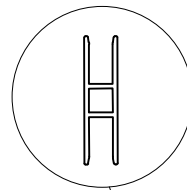
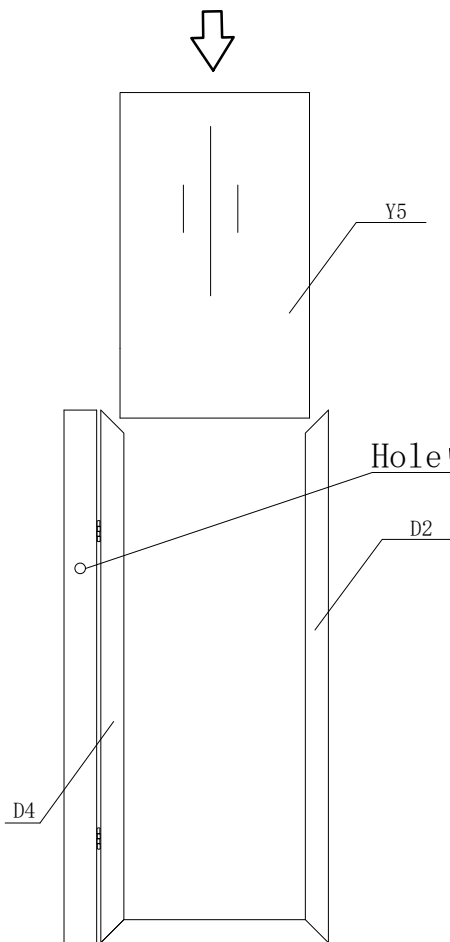
Hole's up there



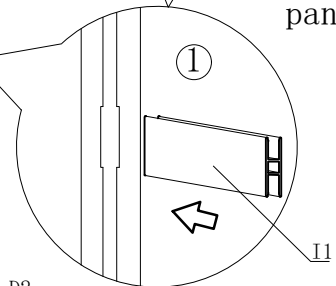
1

1 Insert the sunlight panel (the transparent plastic board) Y5 into the slot of the door frame D2 and D4

2 Insert the partition board of sunlight panel I1 into the slot of D2 and D4, as shown in Figure 1

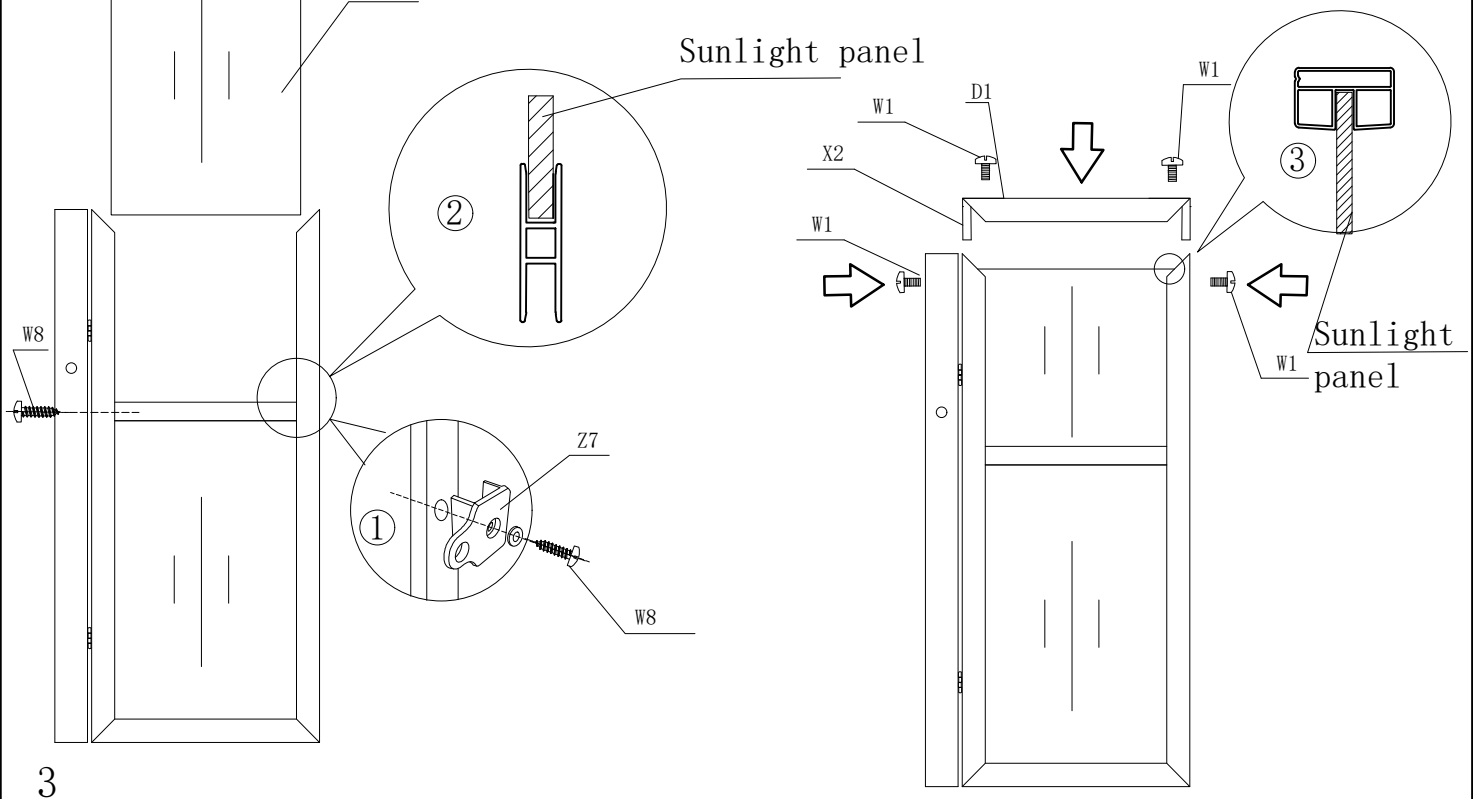


Sunlight panel



2

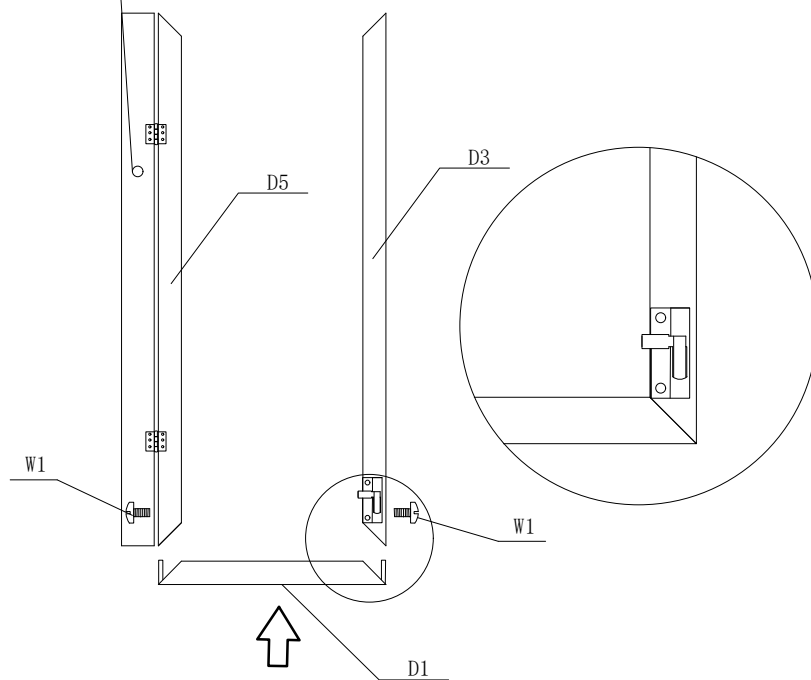
- 1 Tighten both self tapping screws W8, as shown in Figure 1
- 2 Insert the sunlight panel (the transparent plastic board) Y4, as shown in Figure 2
- 3 Insert door frame D1 and tighten screw W1, as shown in Figure 3



3

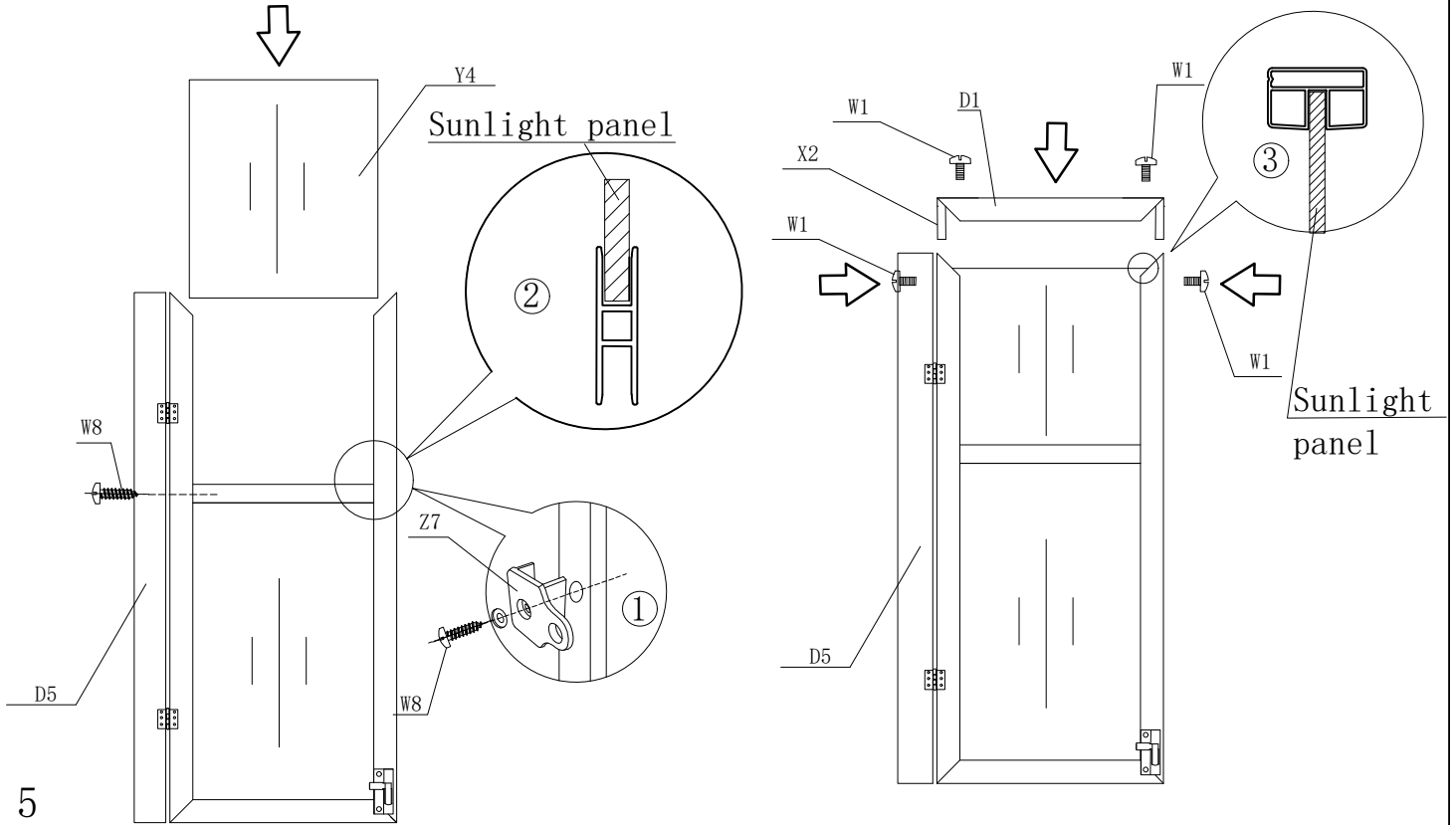
Connect door frame D1 with D5 and D3 and tighten screws W1

Hole's up there

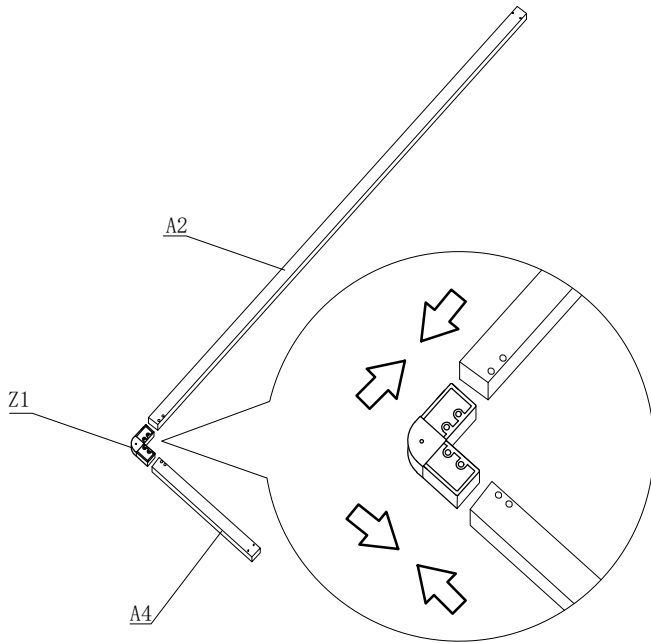


4

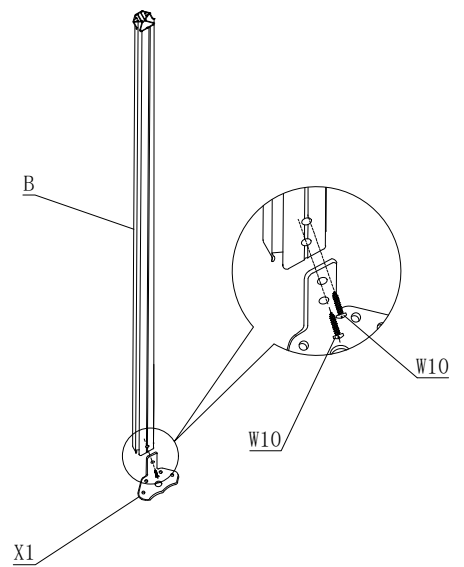
- 1 Tighten both self tapping screws W8, as shown in Figure 1
- 2 Insert the sunlight panel (the transparent plastic board) Y4, as shown in Figure 2
- 3 Insert door frame D1 and tighten screw W1, as shown in Figure 3



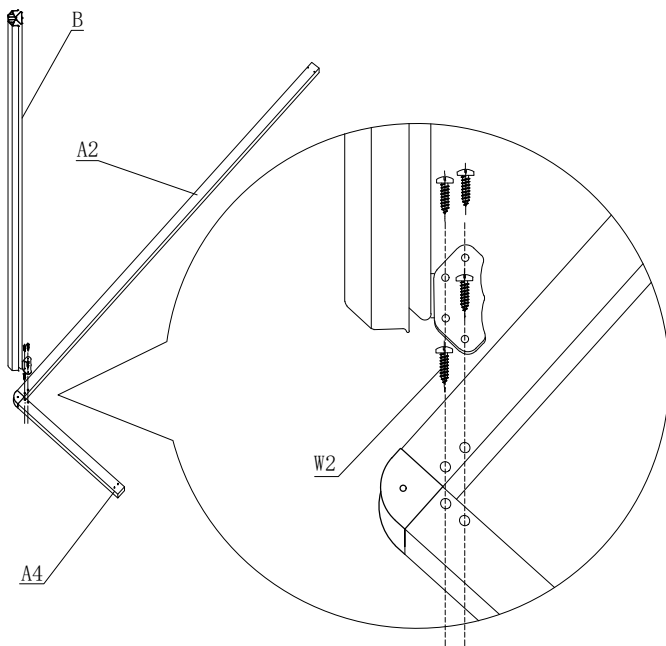
Connect bottom beams A4 and A2 to corner part Z1



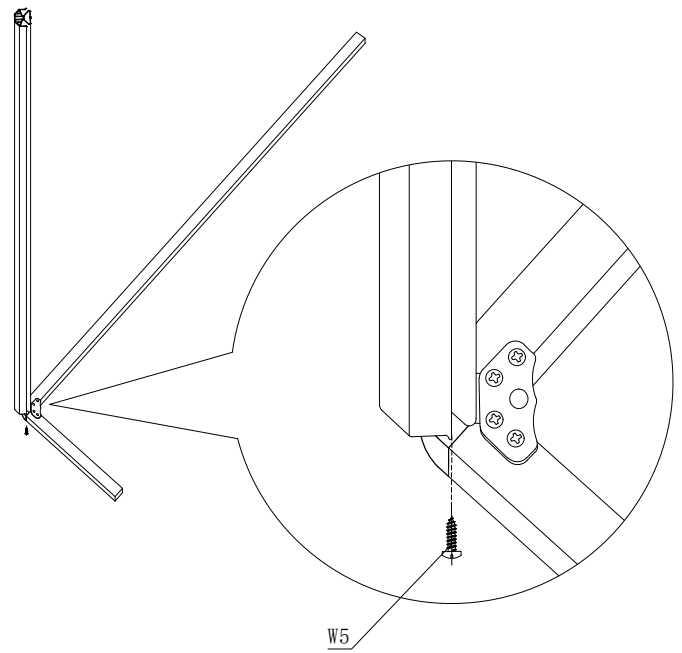
Connect corner pillar B to corner part X1



Connect corner pillar to bottom beam

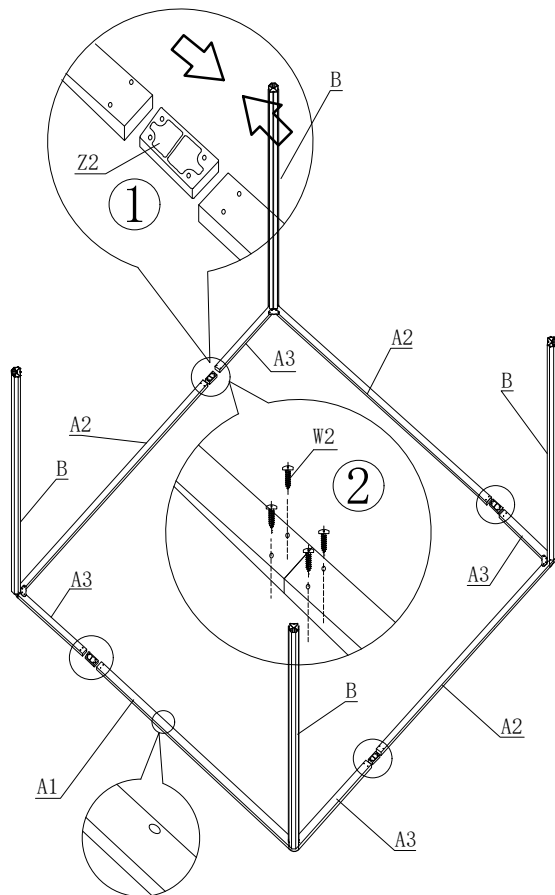


Connect corner pillar to bottom beam



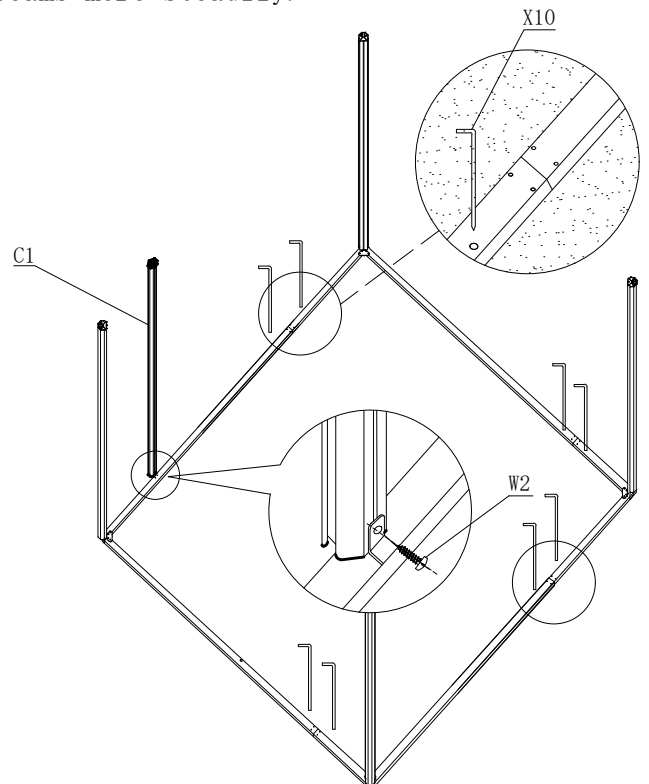
7

Connect bottom beams A1, A2, A3 through Z2



Connect side pillar C1 to the bottom beam

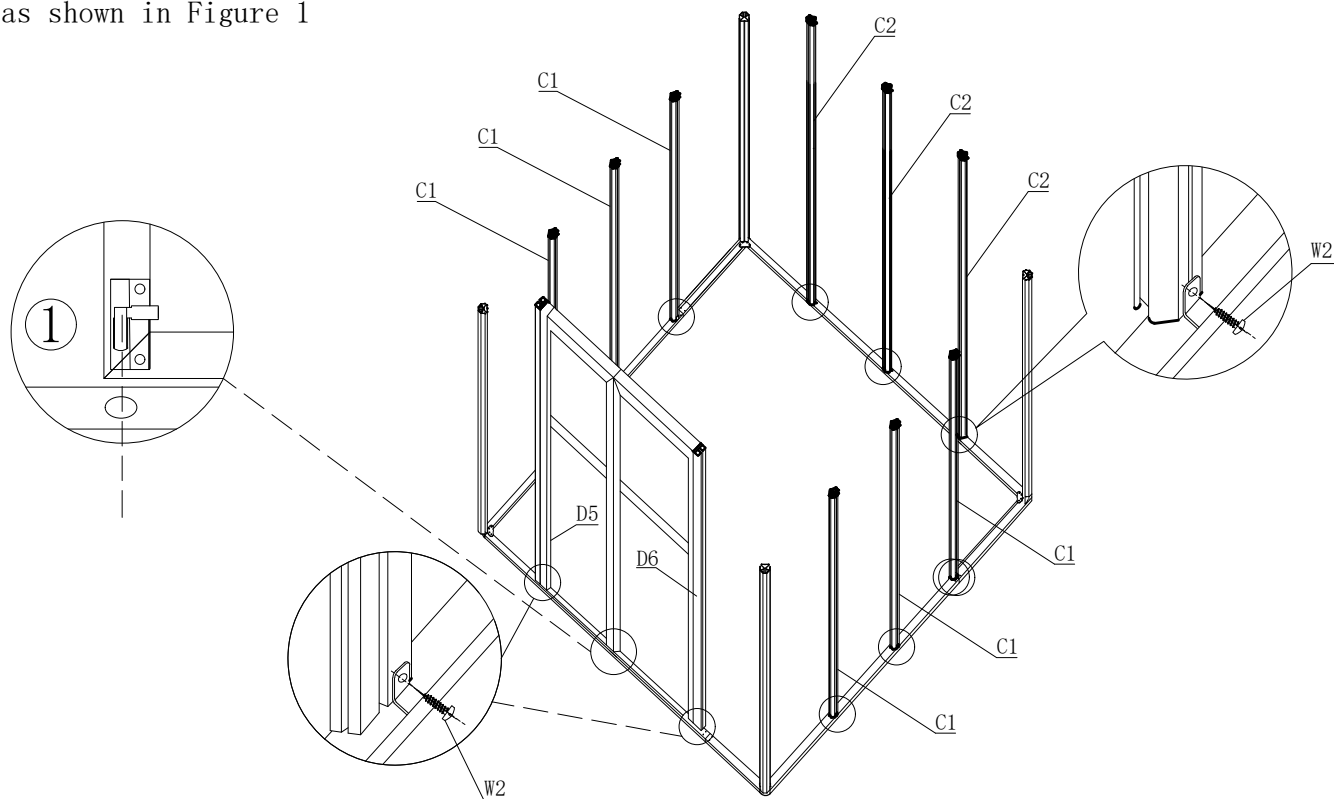
Insert tent peg through middle of side bottom beams to the land to make bottom beams more steadily.



8

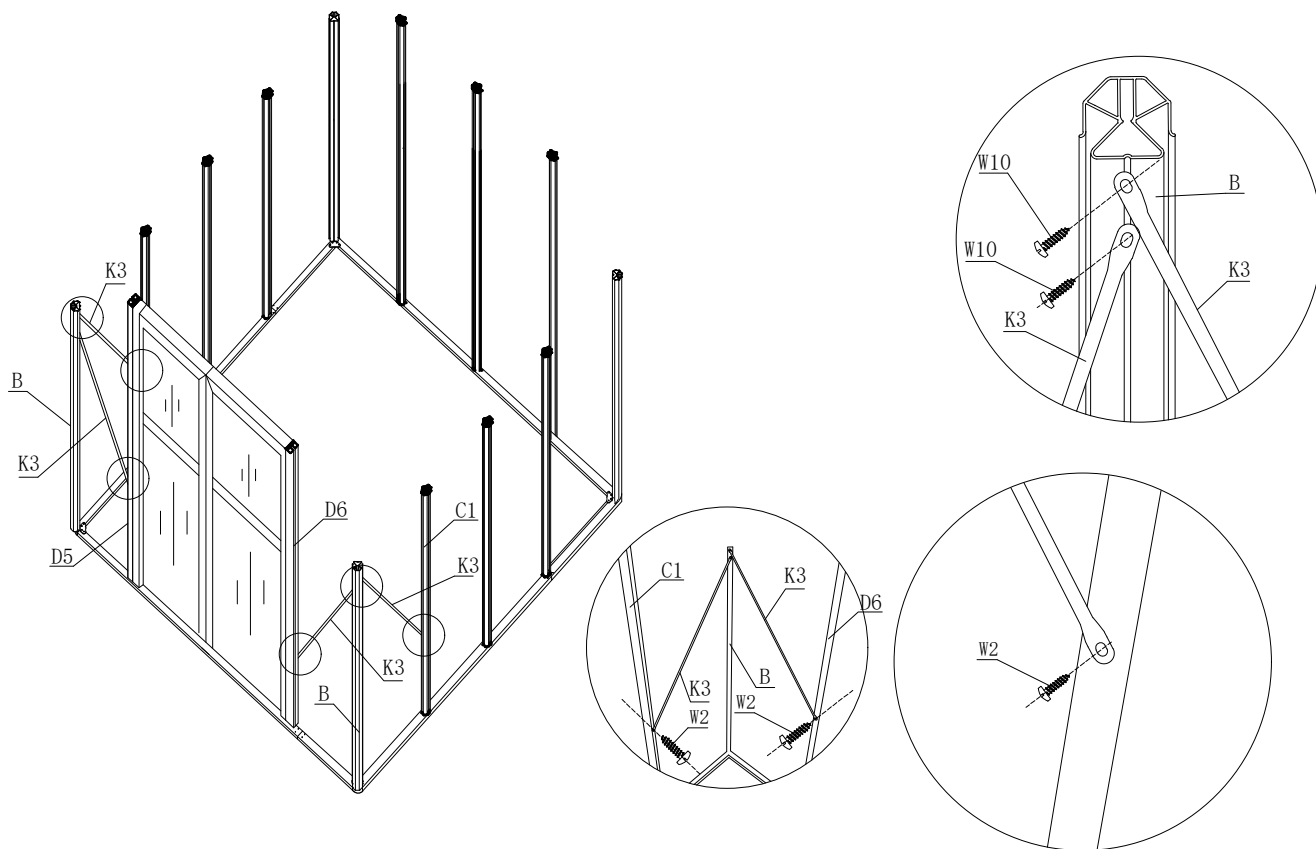
Connect side pillars C1, C2, D5,D6to the bottom beam

Install the door in the correct direction to make sure the latch can be inserted into the hole C1 as shown in Figure 1



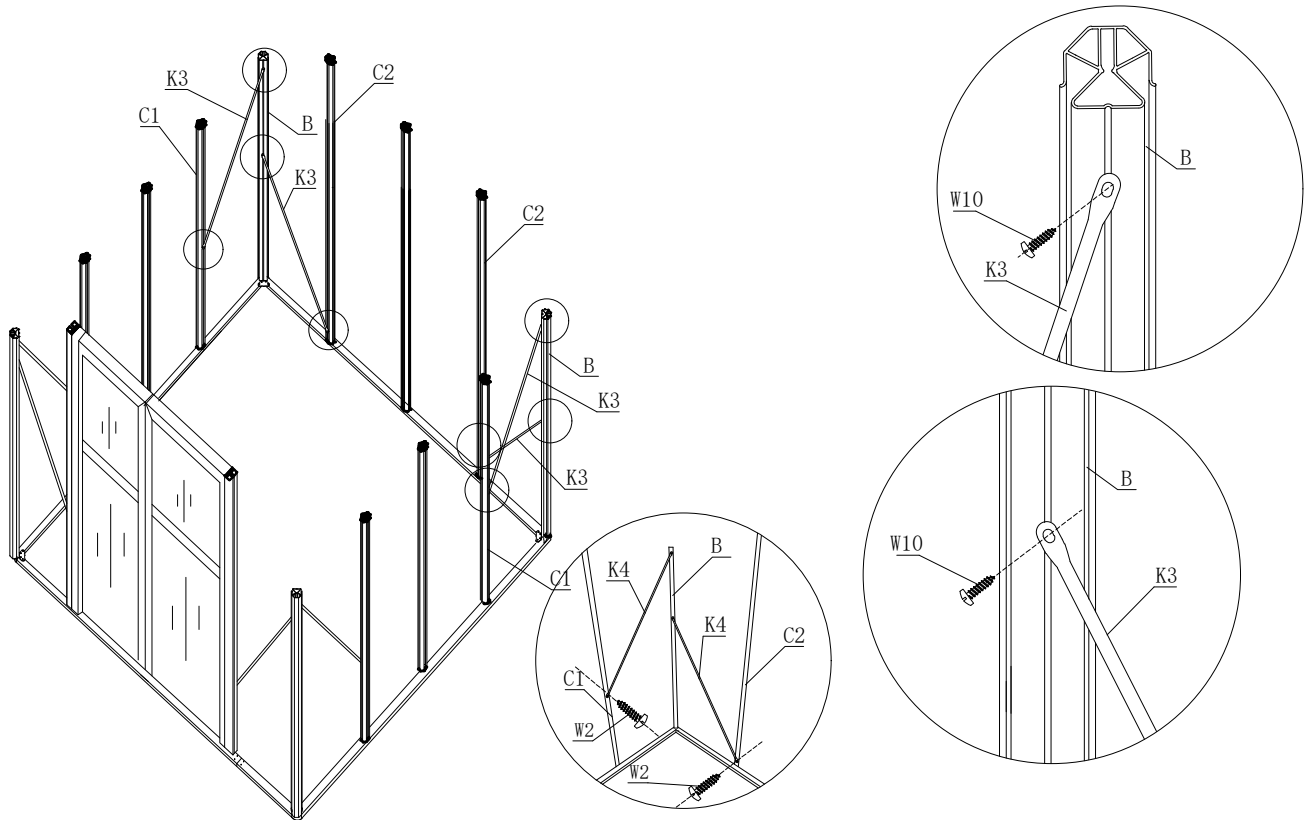
9

Connect the pillar B next to the front door to the side pillar C1,D5 and C1,D6 by K3



10

Connect the corner pillar B opposite the door to the side pillars C1 and C2 by K3



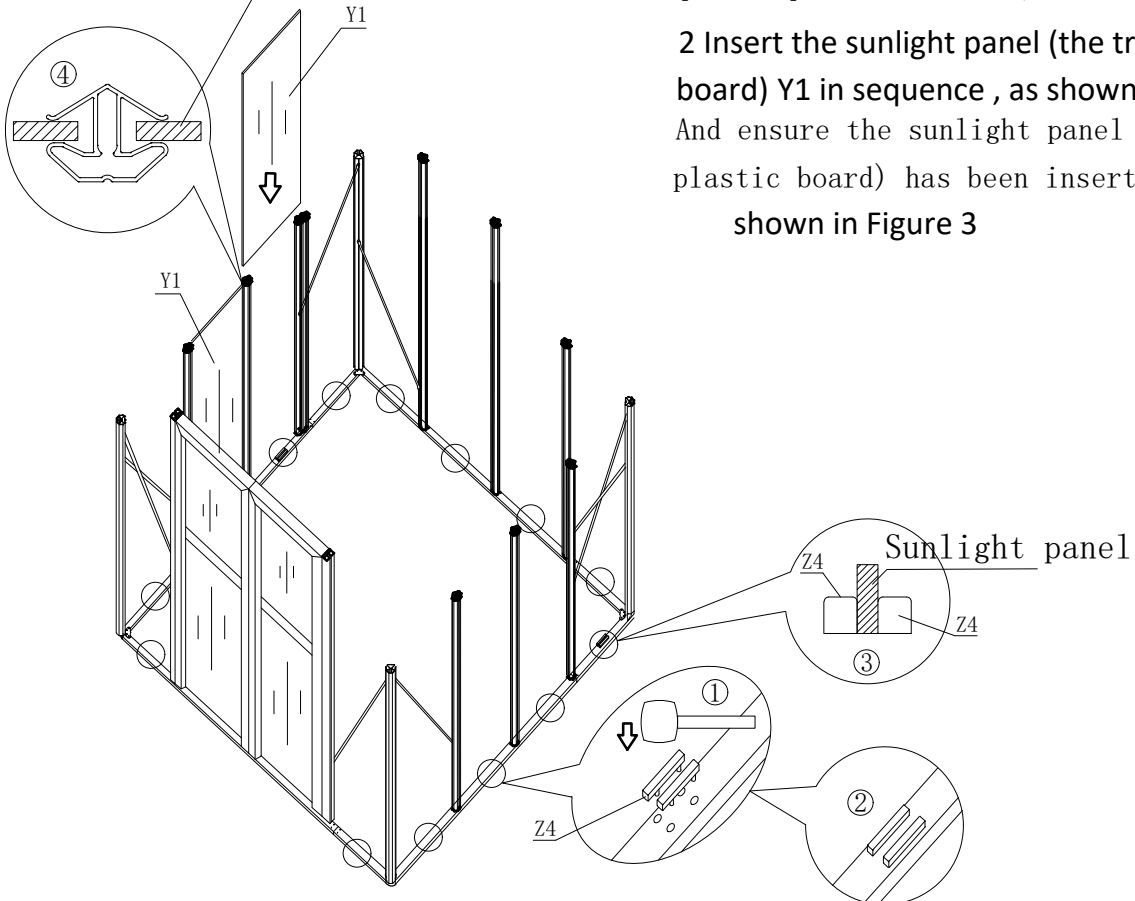
11

Sunlight panel

1 Knock in the slot Z4 of the sunlight panel (the transparent plastic board) , as shown in Figure 1 and 2

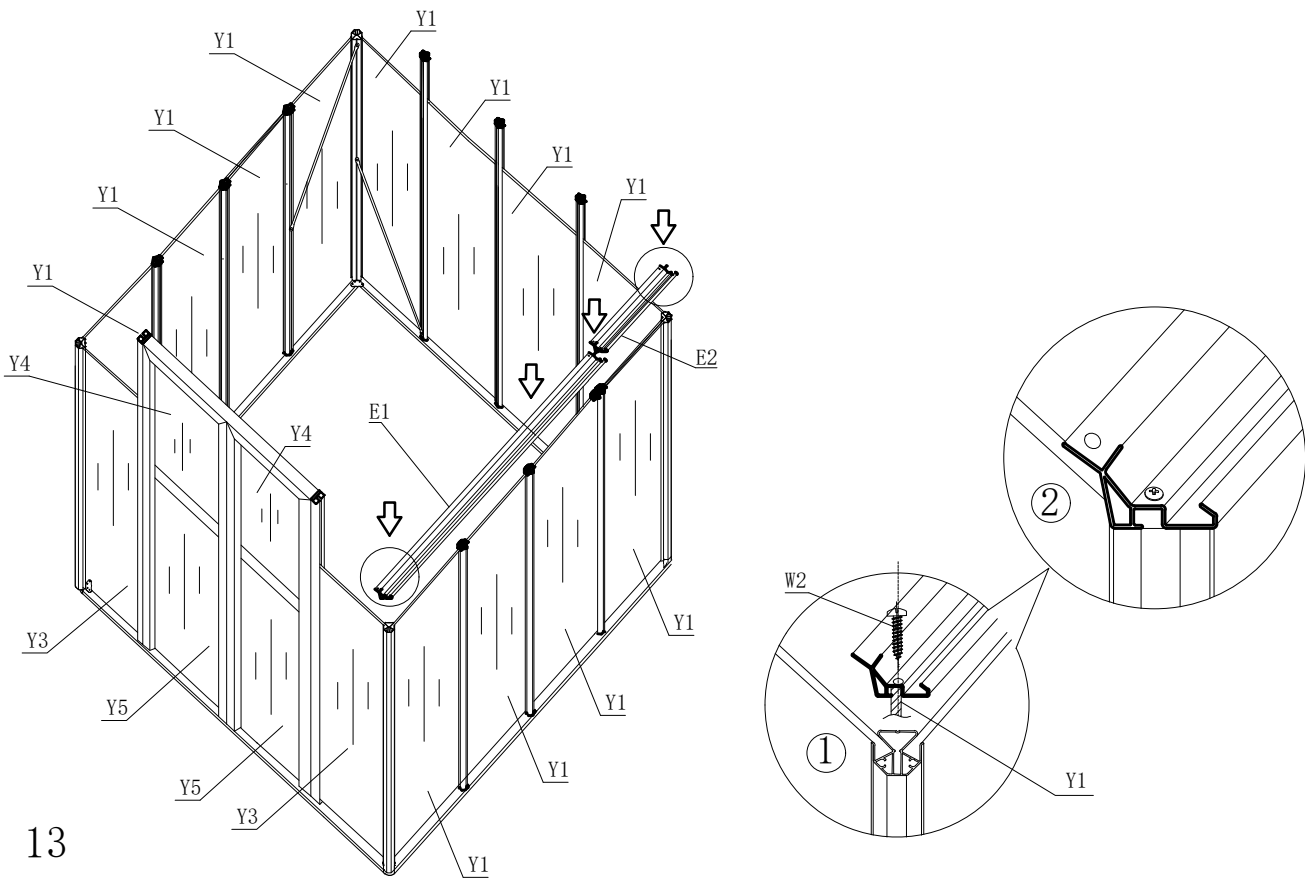
2 Insert the sunlight panel (the transparent plastic board) Y1 in sequence , as shown in Figure 4

And ensure the sunlight panel (the transparent plastic board) has been inserted into the slot as shown in Figure 3



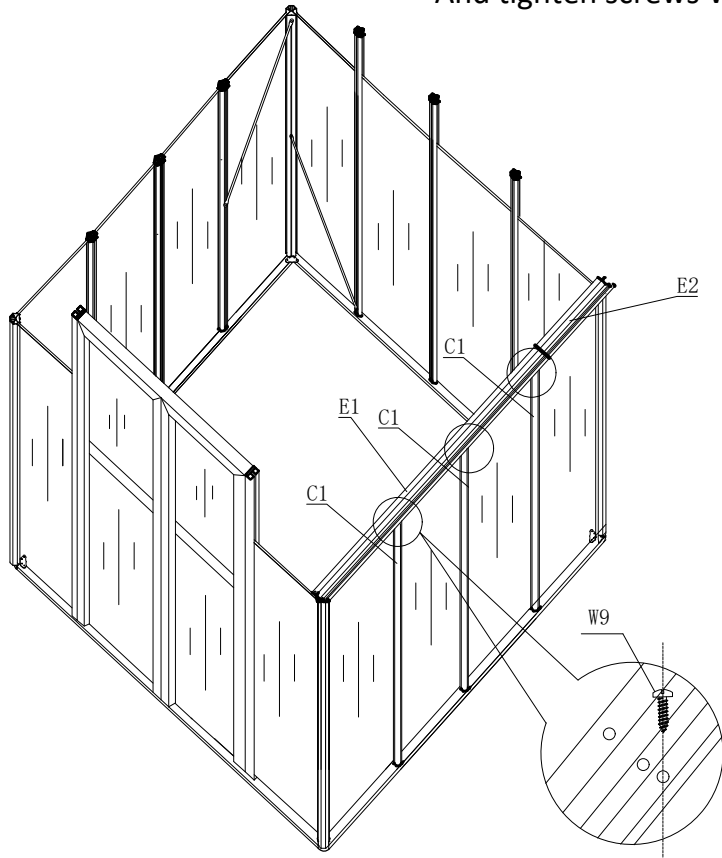
12

Use the slot of the drainage ditch E1,E2 to press down on the sunlight panel (the transparent plastic board) , as shown in Figure 1 and tighten the screw W2



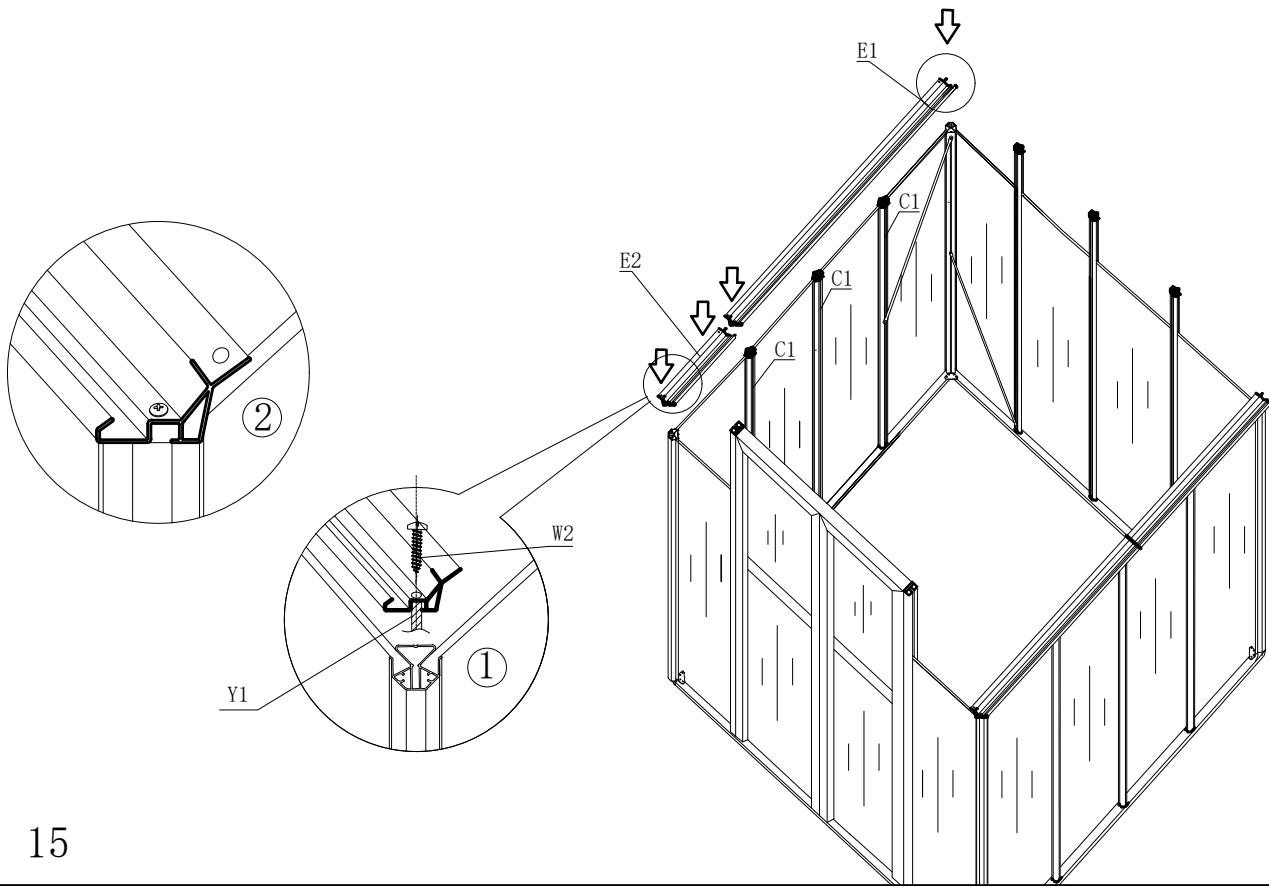
13

Connect the drainage ditch E1,E2 to the side pillars C1  
And tighten screws W9 in sequence



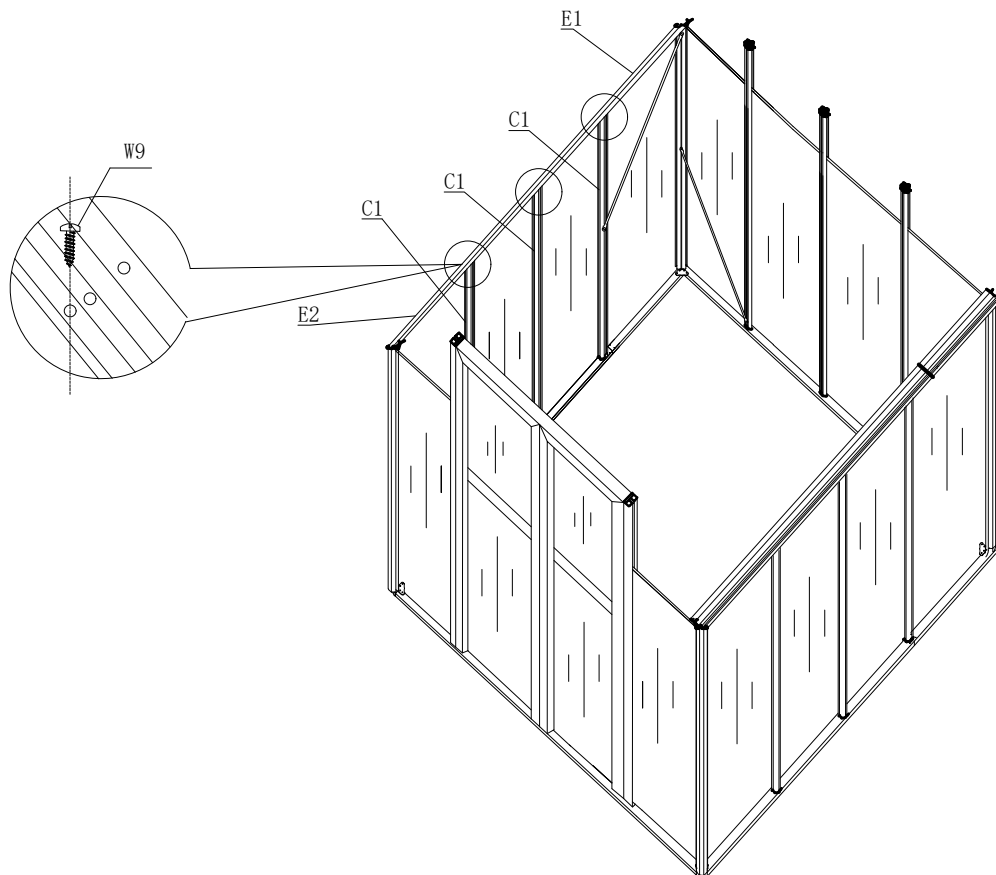
14

Use the slot of the drainage ditch E1,E2 to press down on the sunlight panel (the transparent plastic board), as shown in Figure 1 and tighten the screw W2

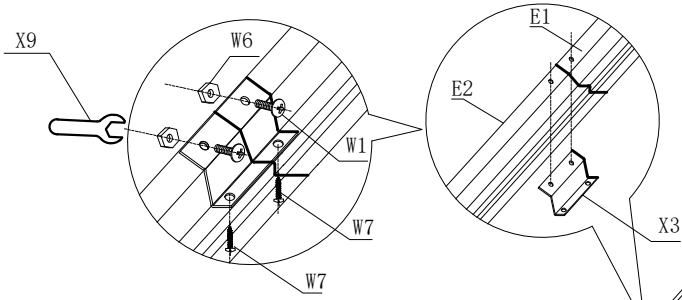


15

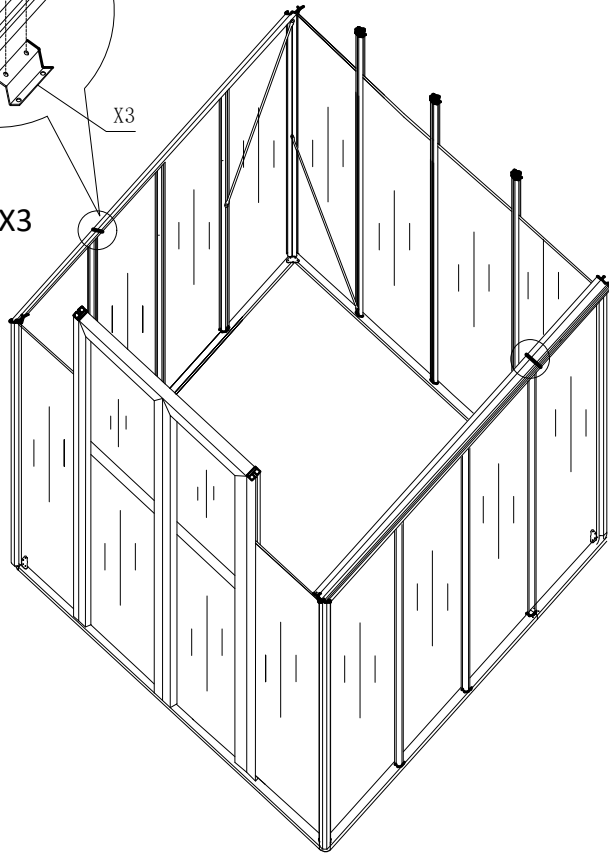
Connect the drainage ditch E1,E2 to the side pillars C1  
And tighten screws W9 in sequence



16

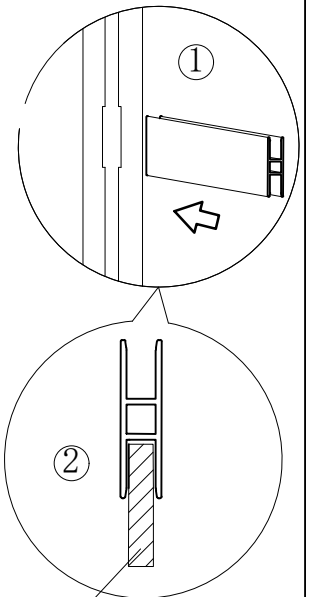
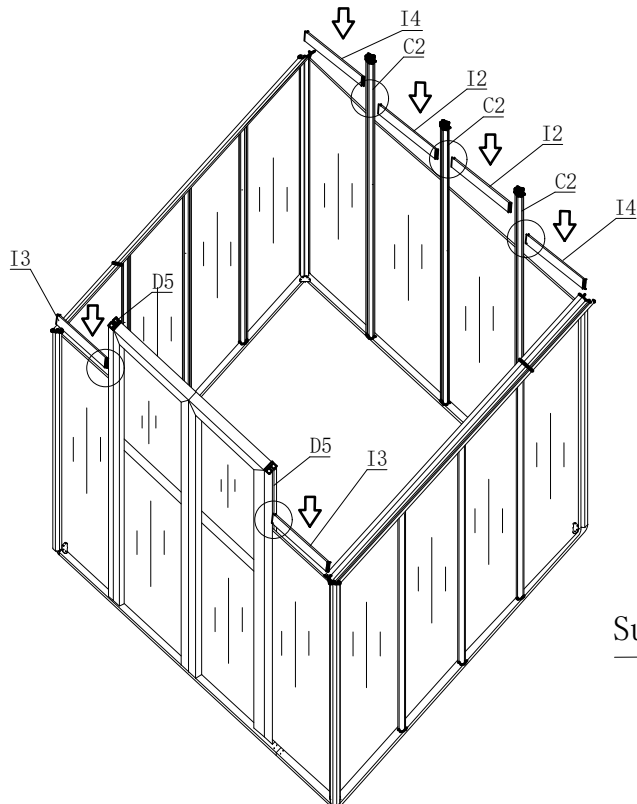


Connect drainage ditch E1 and E2 with part X3



17

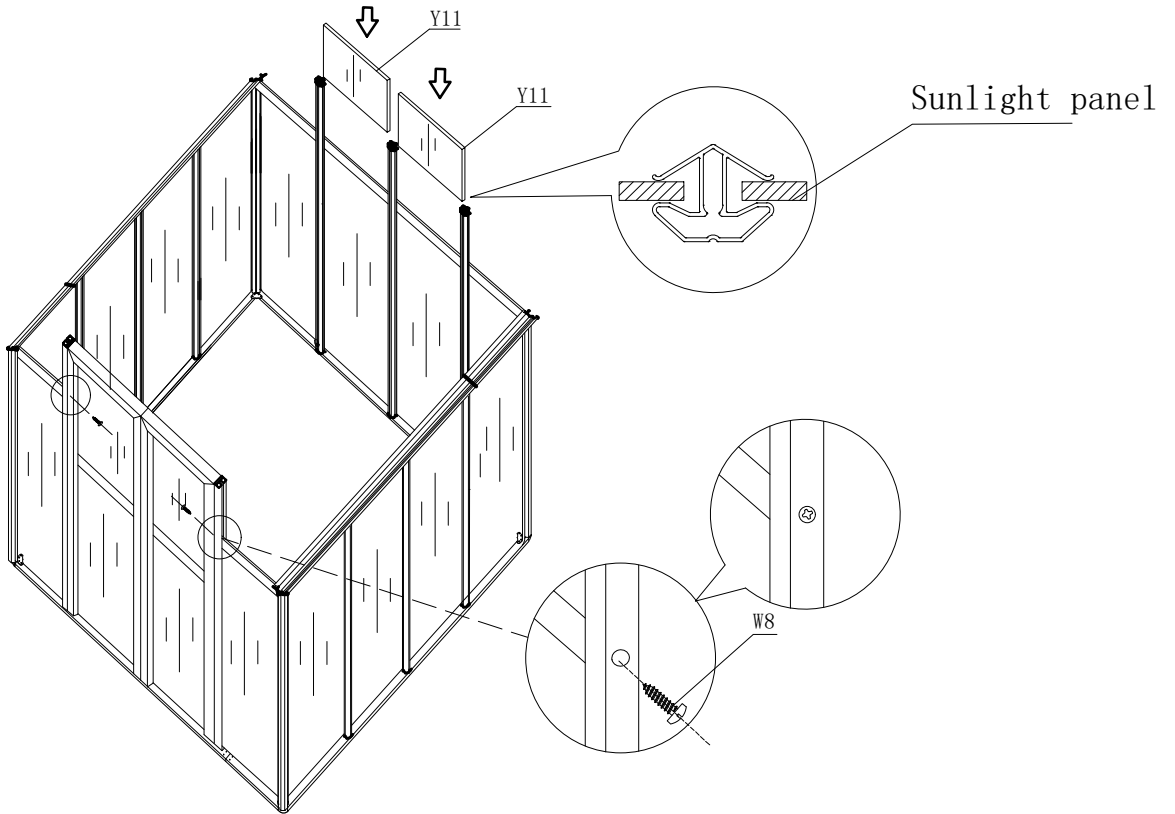
- 1 Connect the partition board of sunlight panel I4 to the side pillar C2
- 2 Connect the partition board of sunlight panel I2 to the side pillar C2
- 3 Connect the partition board of sunlight panel I3 to the door frame D5



Sunlight panel

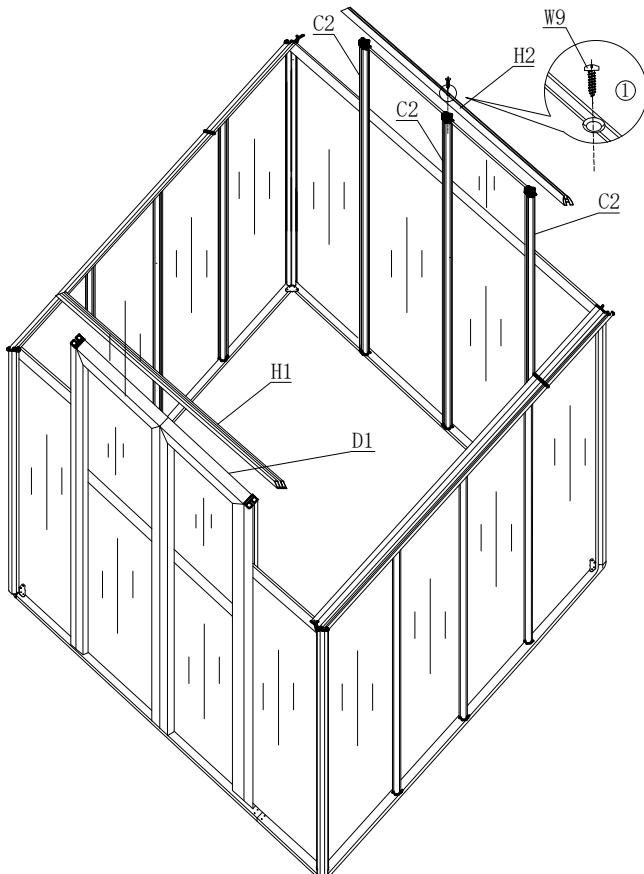
18

Insert sunlight panel Y11 into the slot of the side pillar.



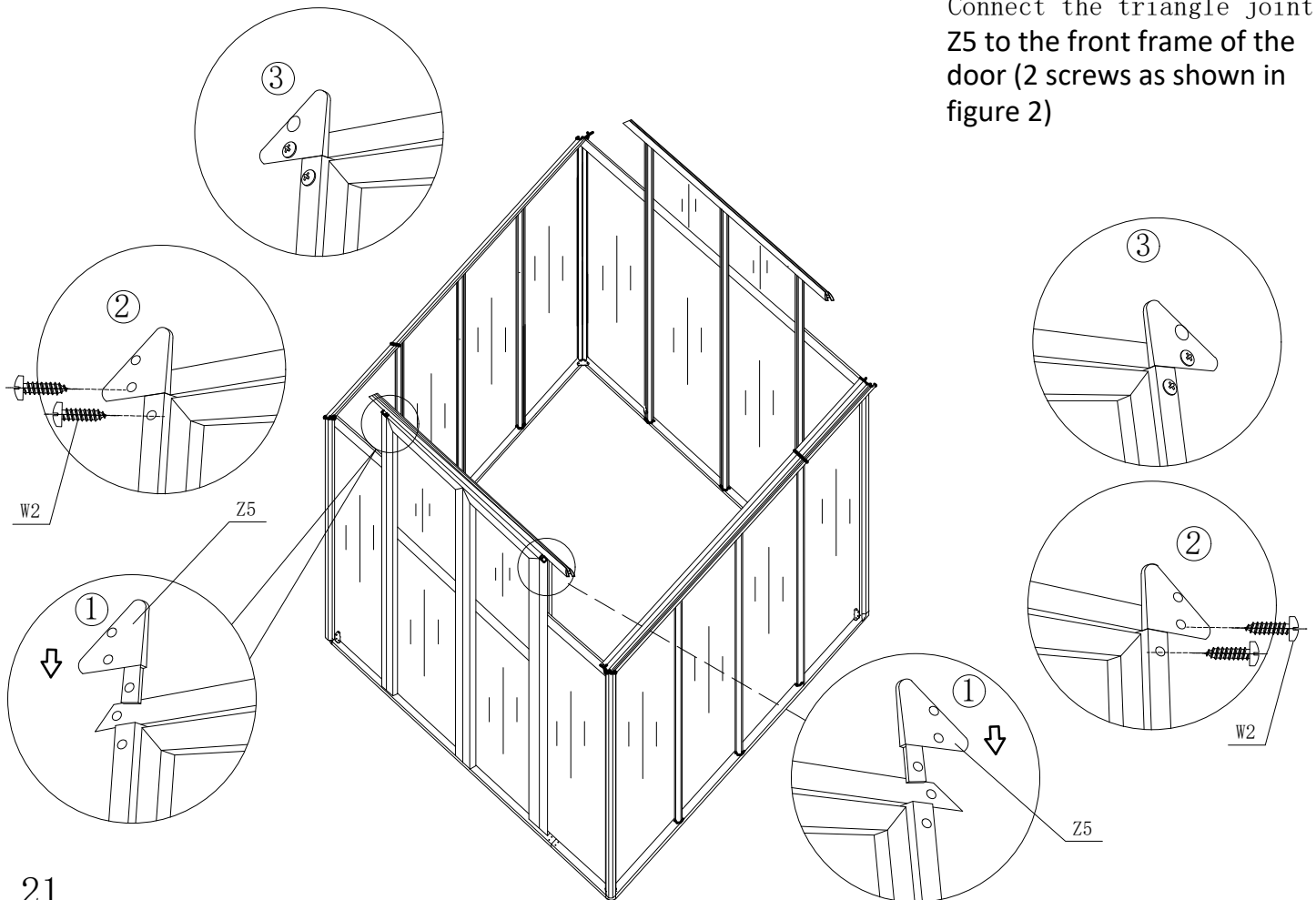
19

1. Connect the rear crossbar H2 to the side pillar C2, as shown in Figure 1
2. Connect the door frame crossbar H1 to the door frame pillar D1, as shown in Figure 2



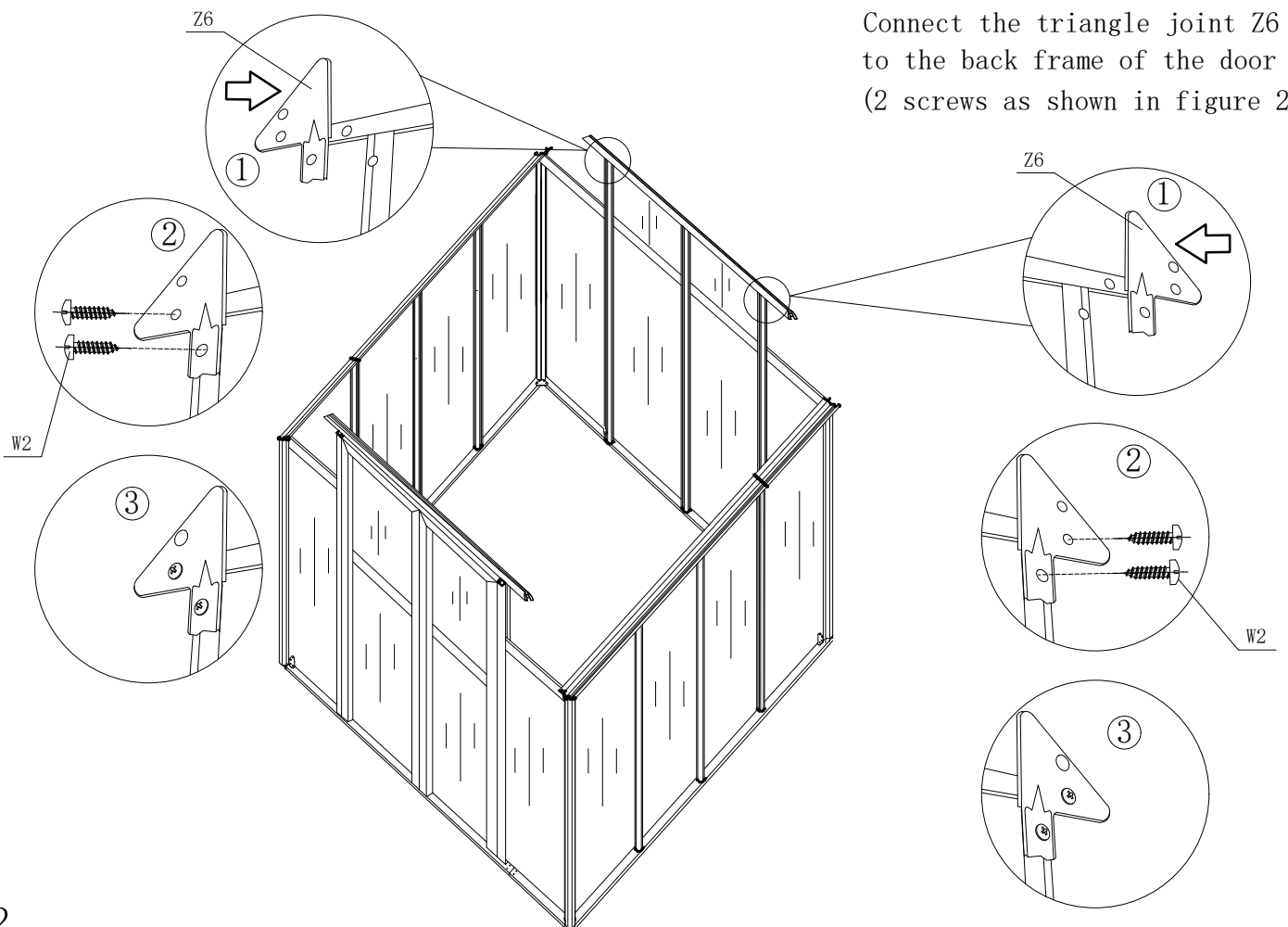
20

Connect the triangle joint Z5 to the front frame of the door (2 screws as shown in figure 2)



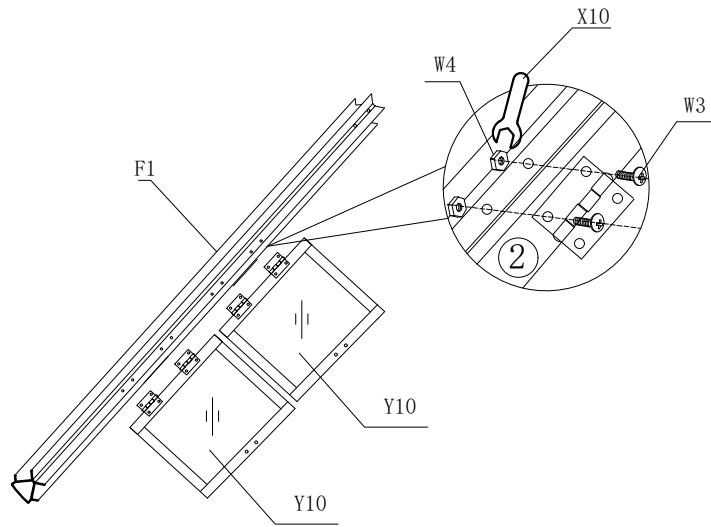
21

Connect the triangle joint Z6 to the back frame of the door (2 screws as shown in figure 2)



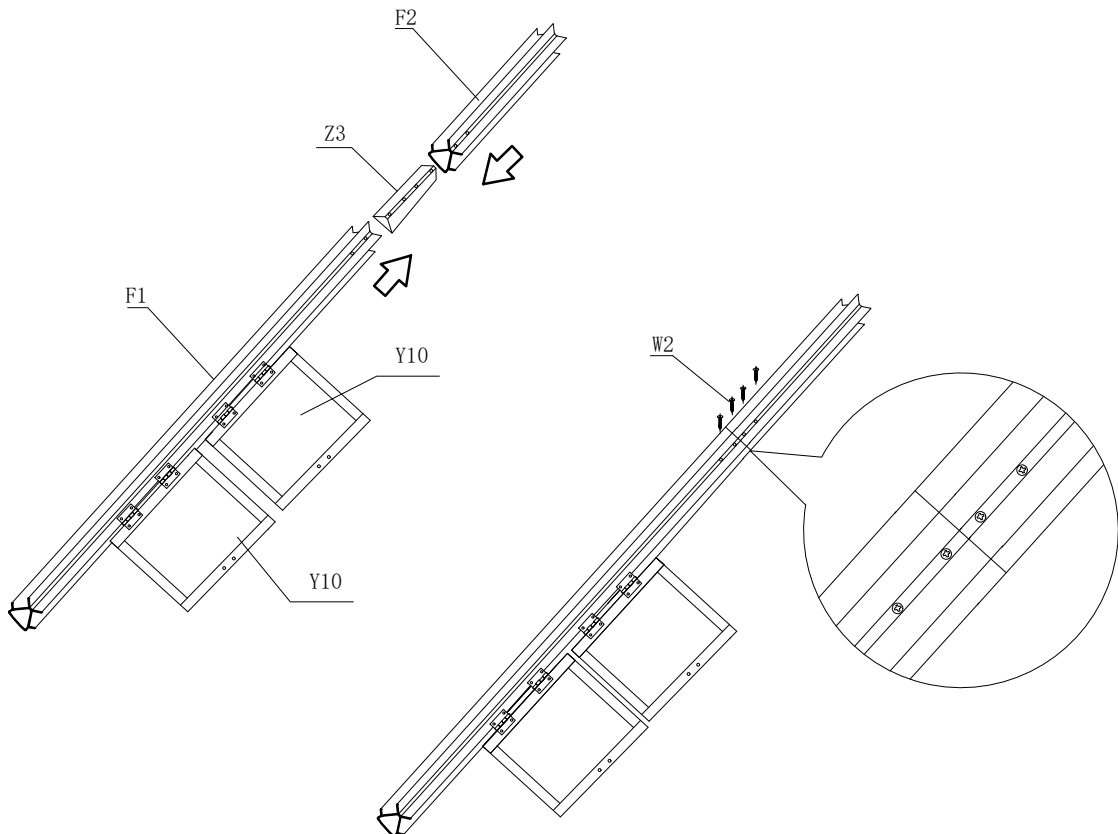
22

Connect Skylight Plastic Sheet Y10 to the top crossbeam F1



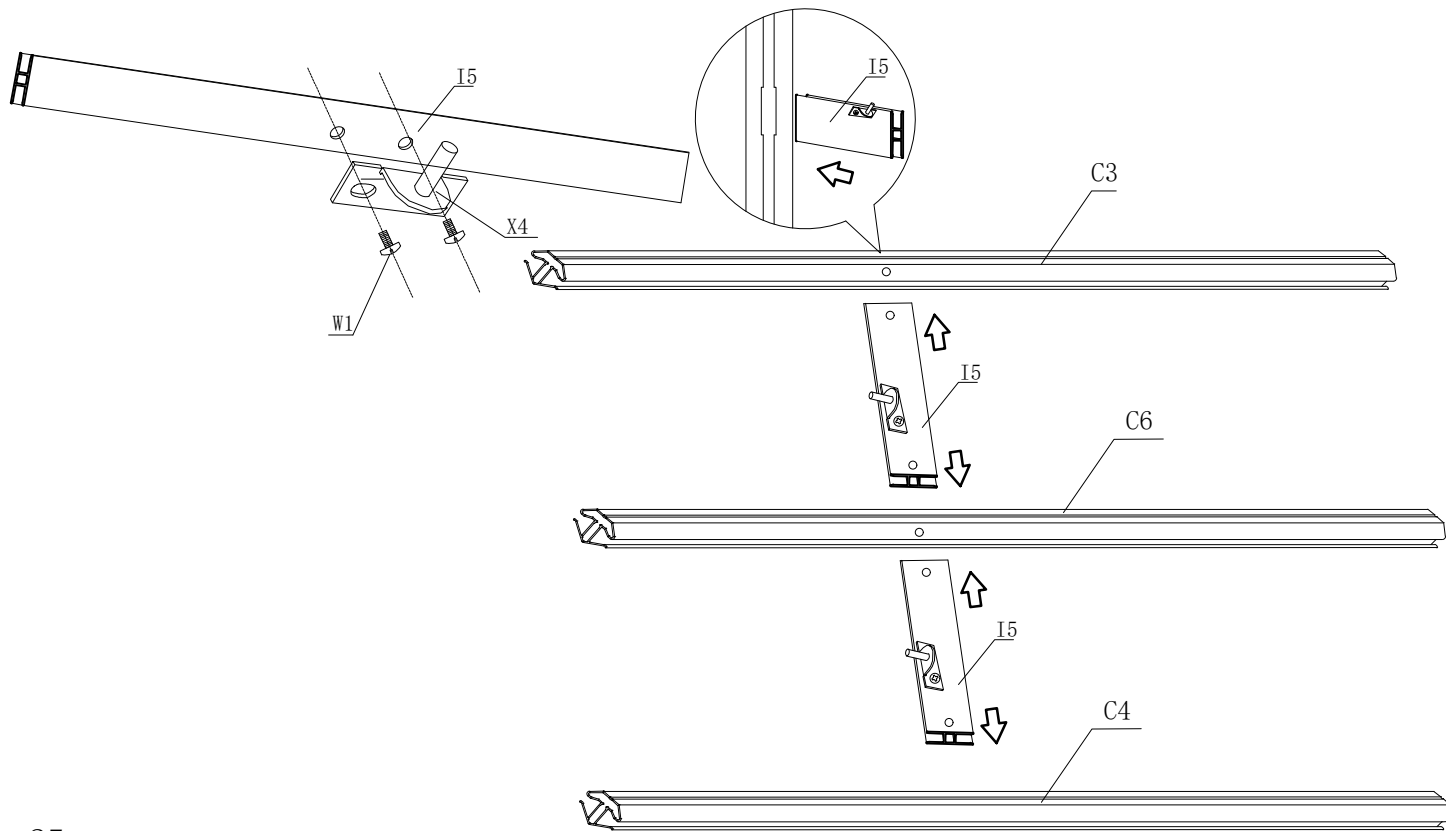
23

Connect top crossbeams F. Ensure two skylight joint in same direction

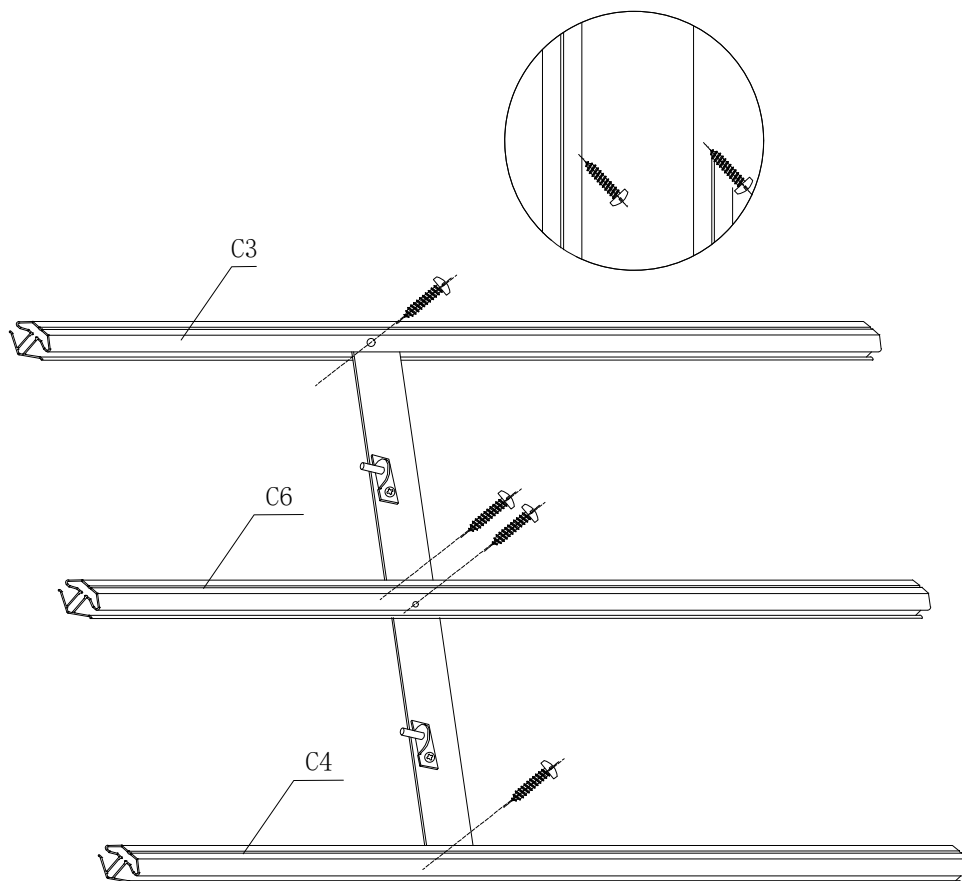


24

1. Connect and tighten skylight panel crossbar I 5 to skylight supporting seat X4
2. The sunroof crosspiece I5 is inserted into the slot of inclined beam C3 C4 and C6

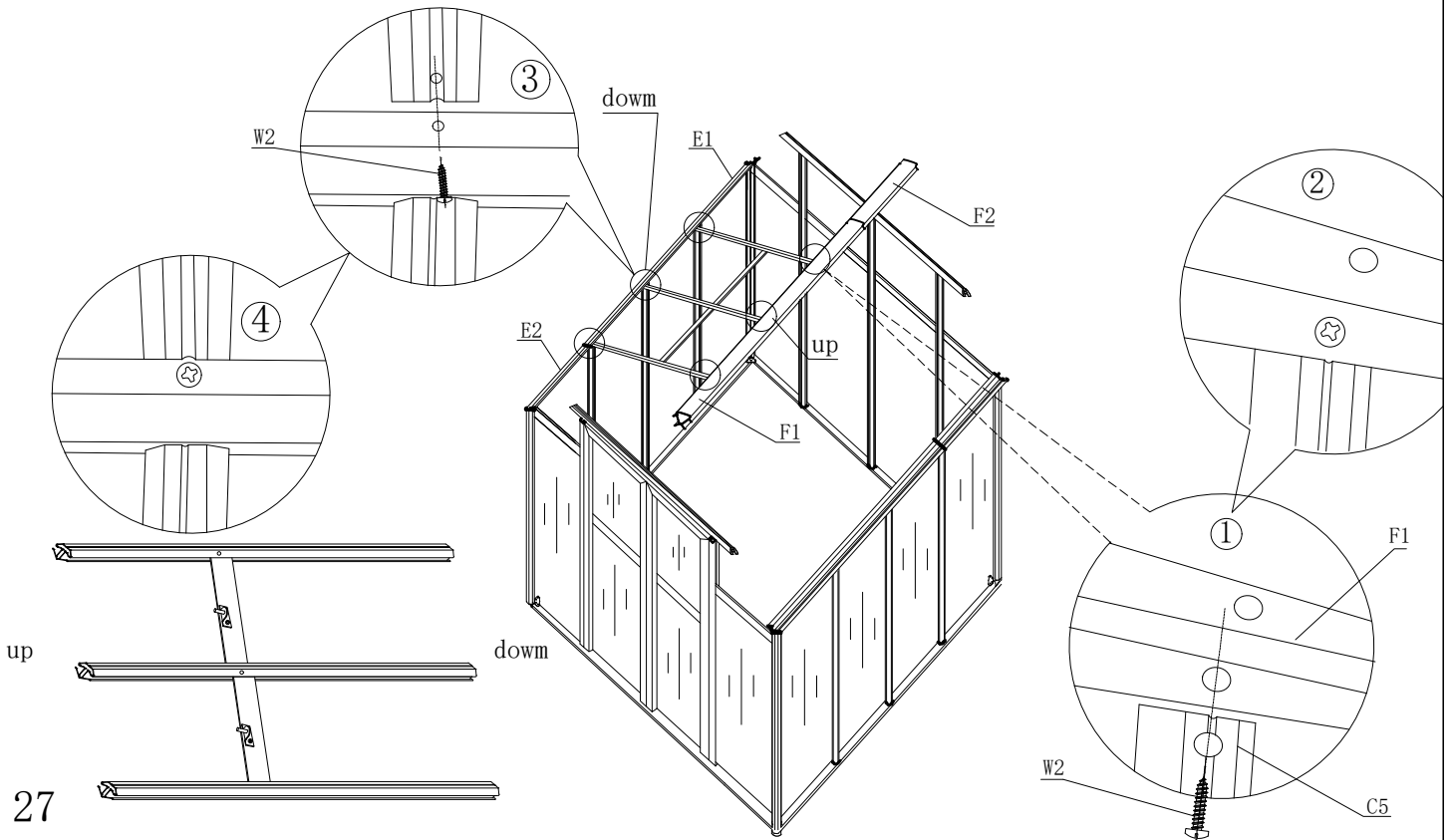
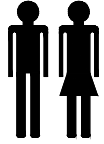


25

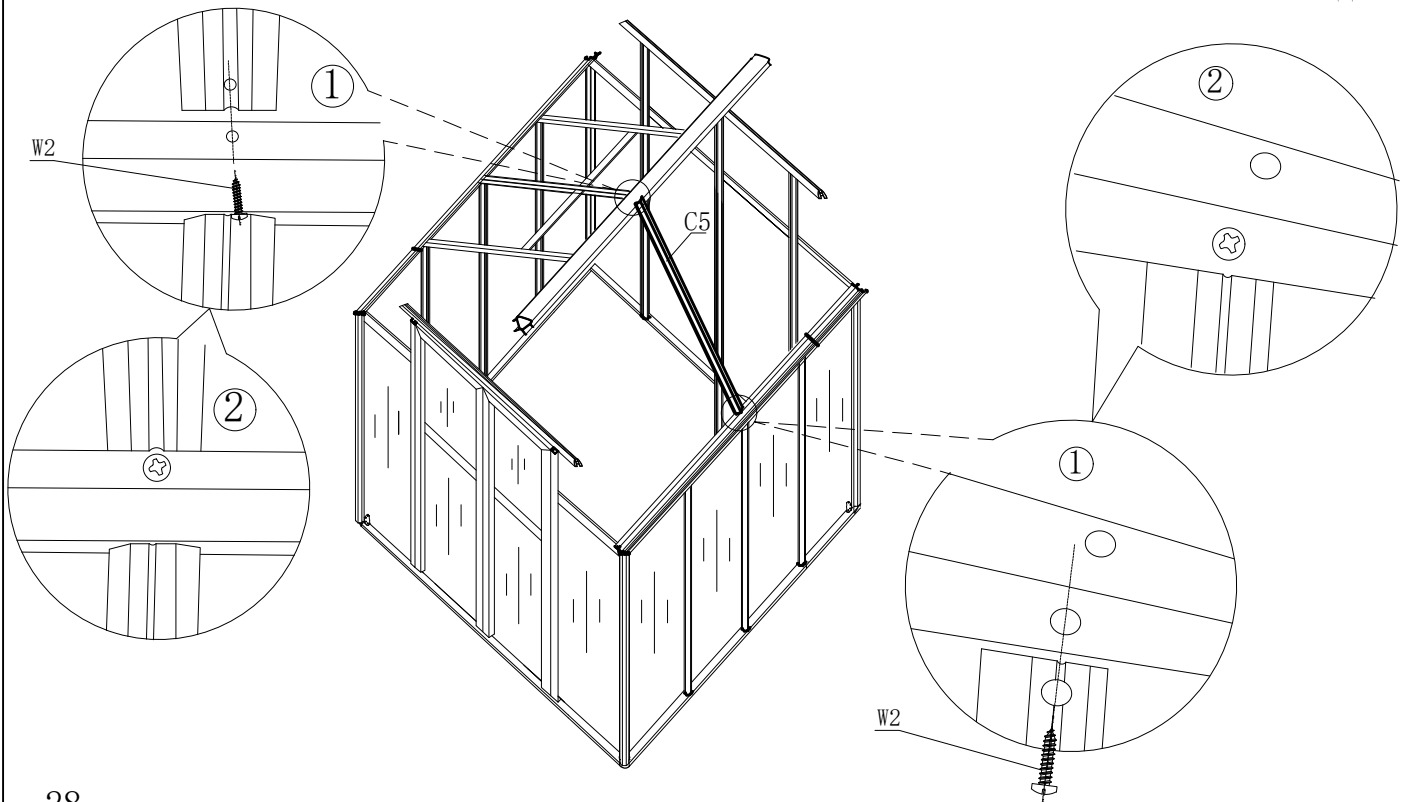
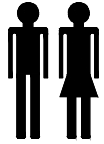


26

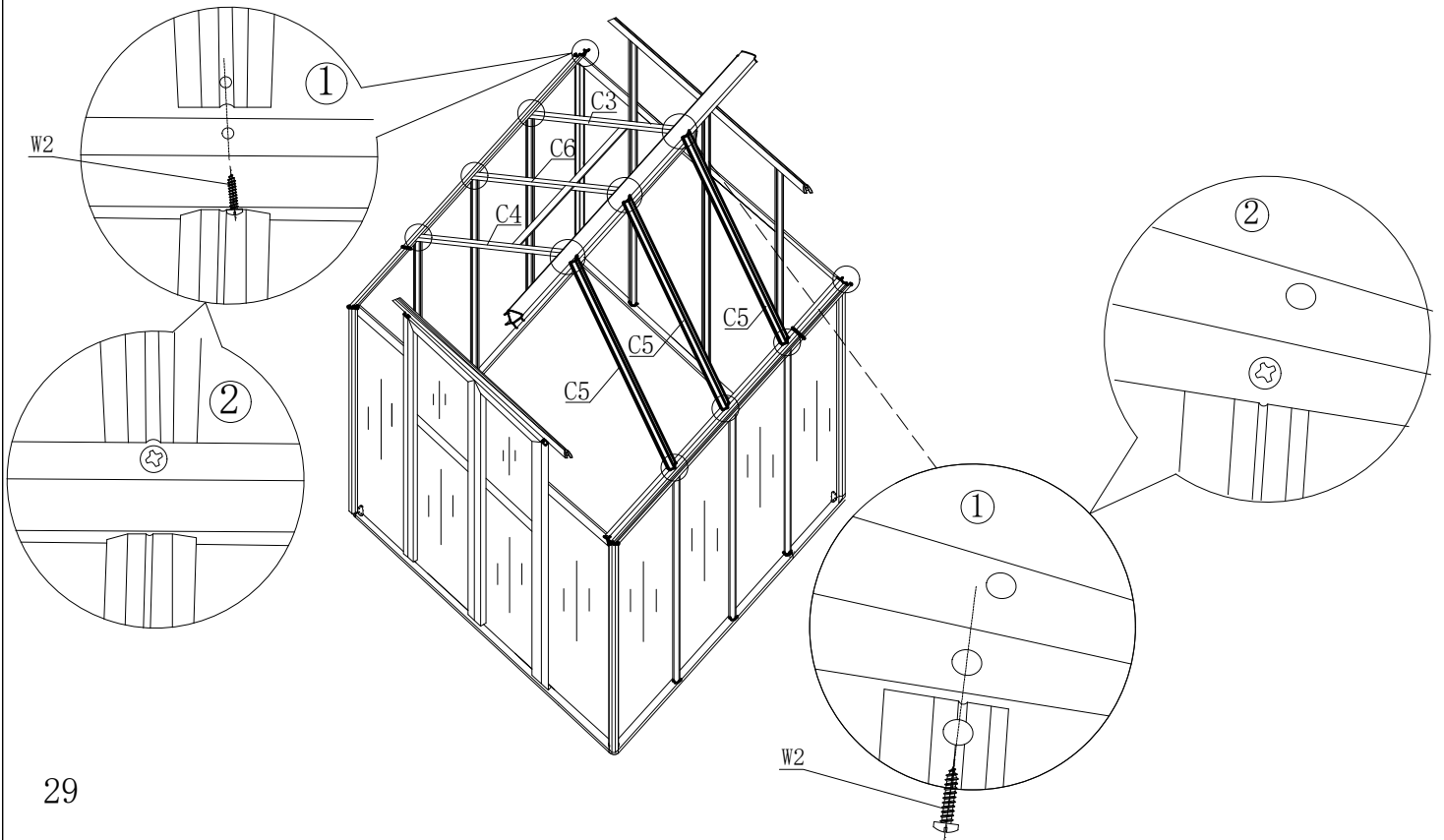
Connect inclined pillars to top crossbeam F1 F2  
Connect the inclined pillar to the drainage ditch E1 and E2



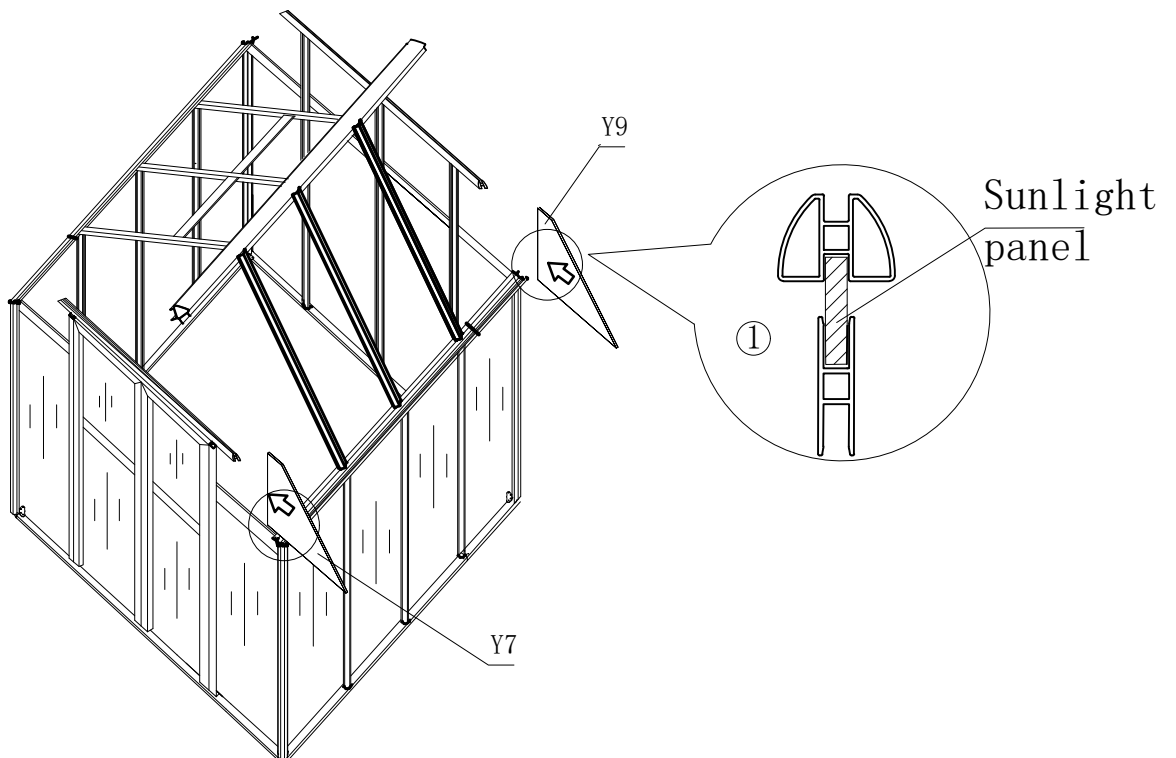
Link all inclined beams C5



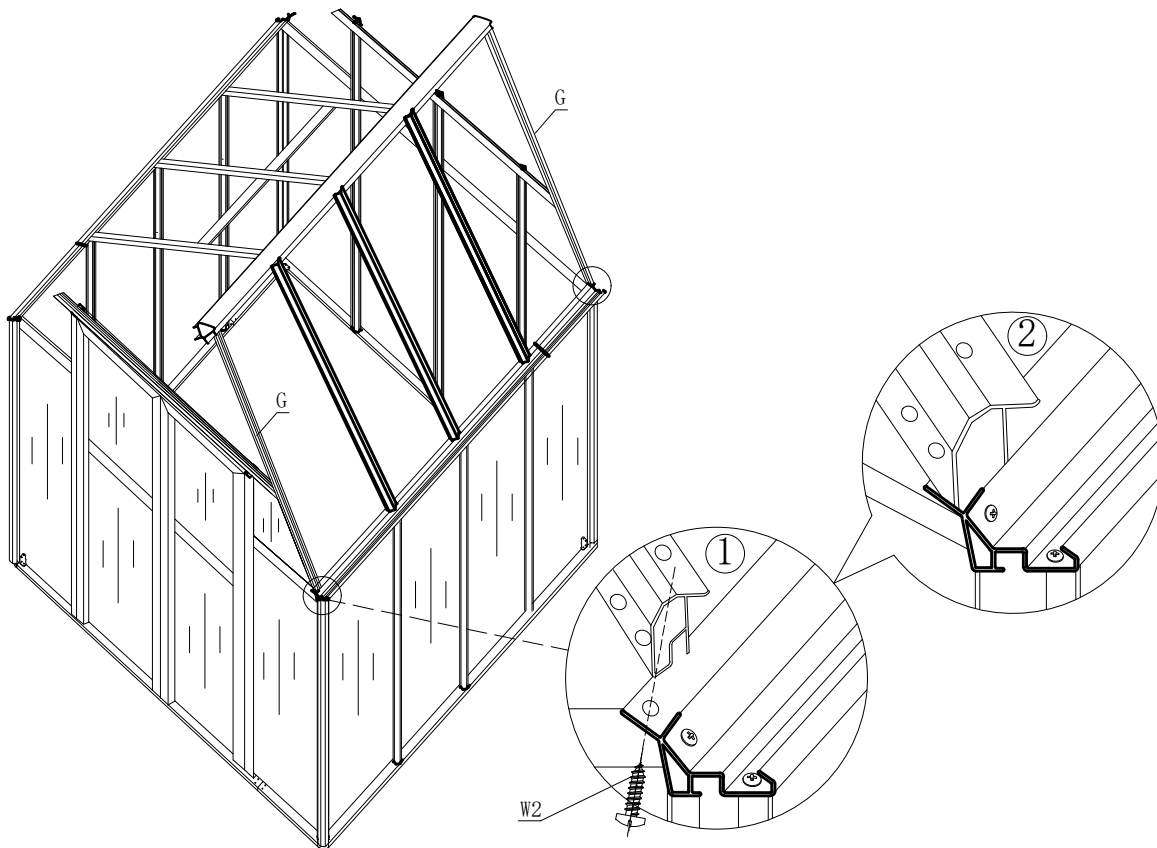
Link all inclined beams C3 C4 C5



Insert Trapezoid sunlight panel into slot, as shown in 1

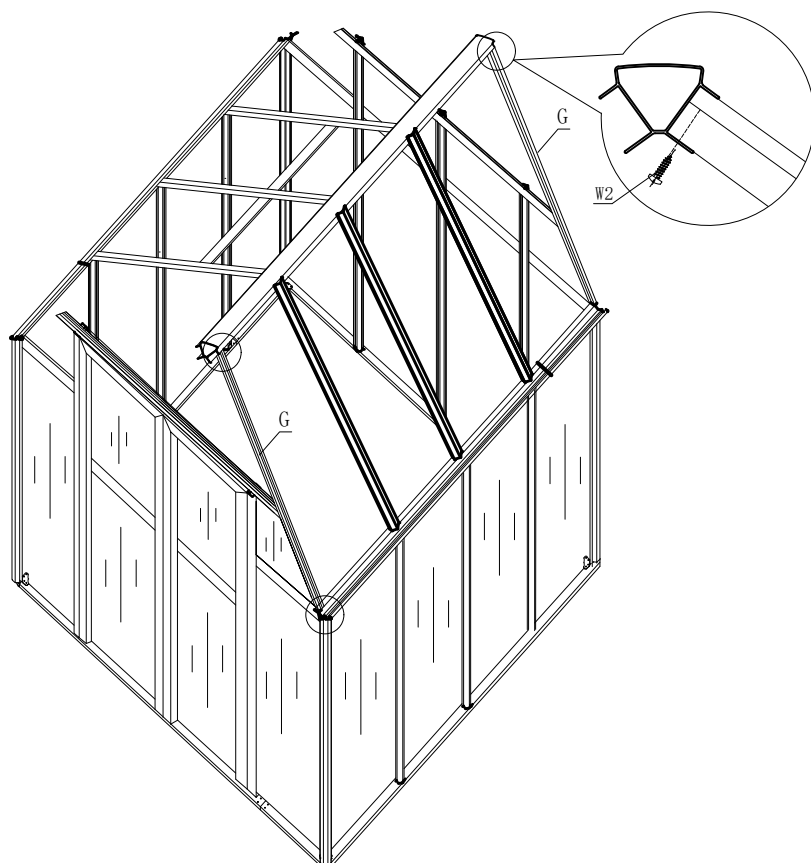


Connect four angled inclined pillars G with drain E1



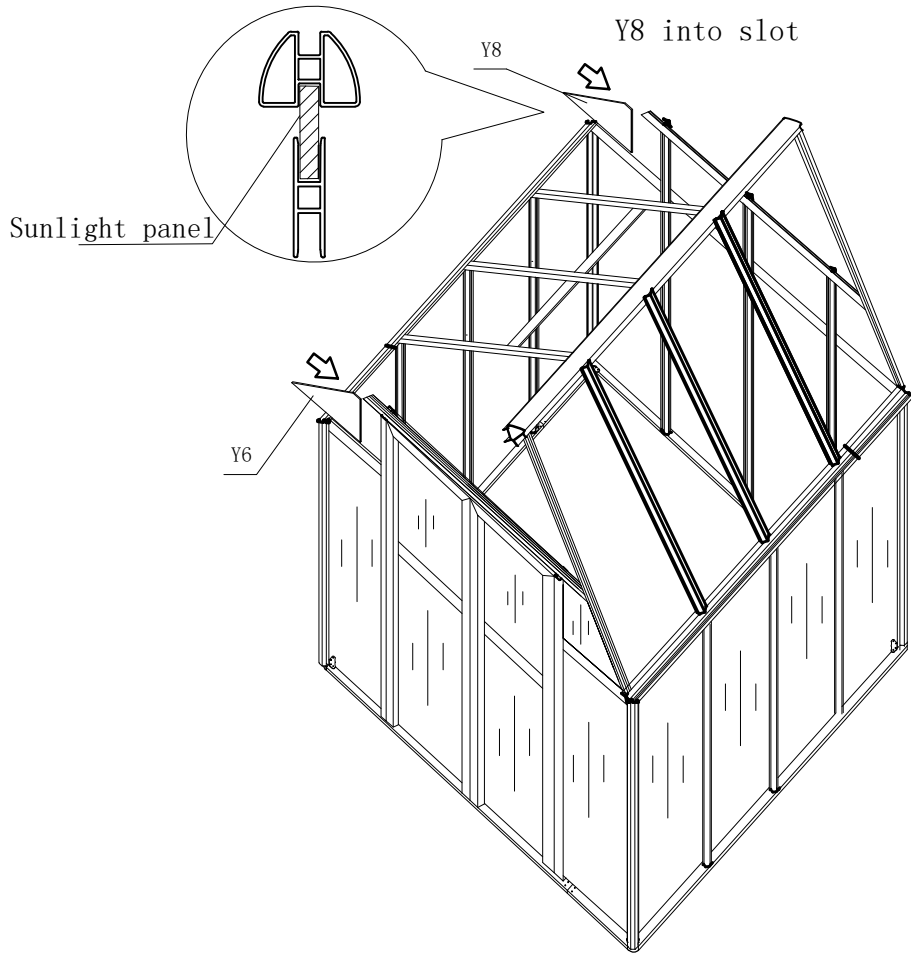
31

Connect four angled inclined pillars G to the top crossbeam F



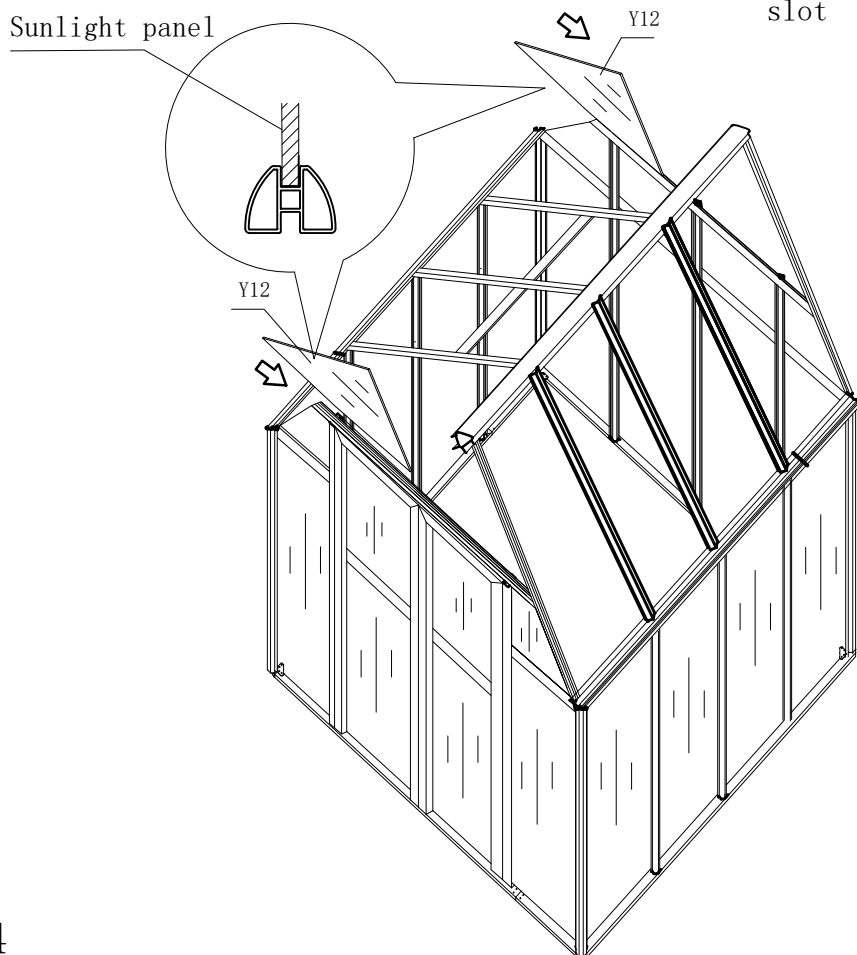
32

Insert trapezoid sunlight panel Y6 and Y8 into slot



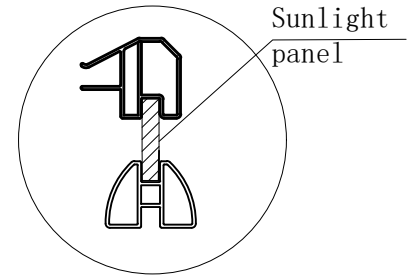
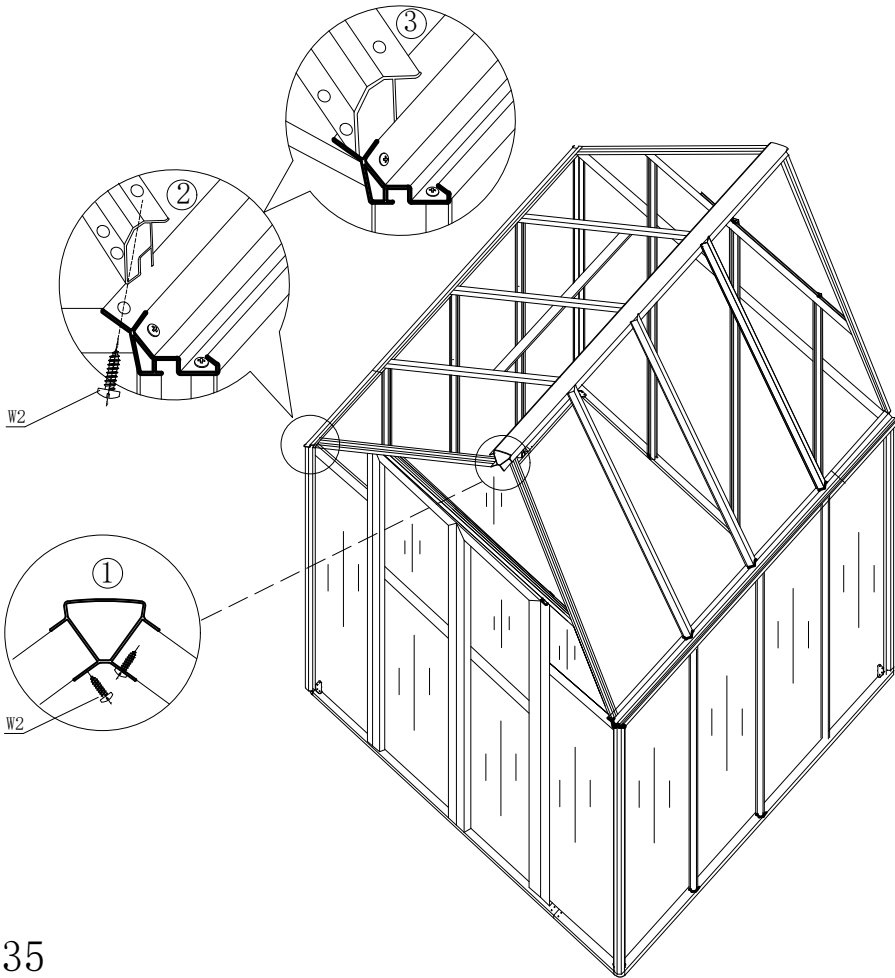
33

Insert triangle plastic sheet Y12 into slot



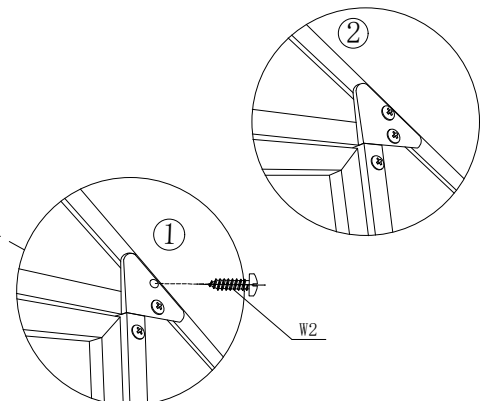
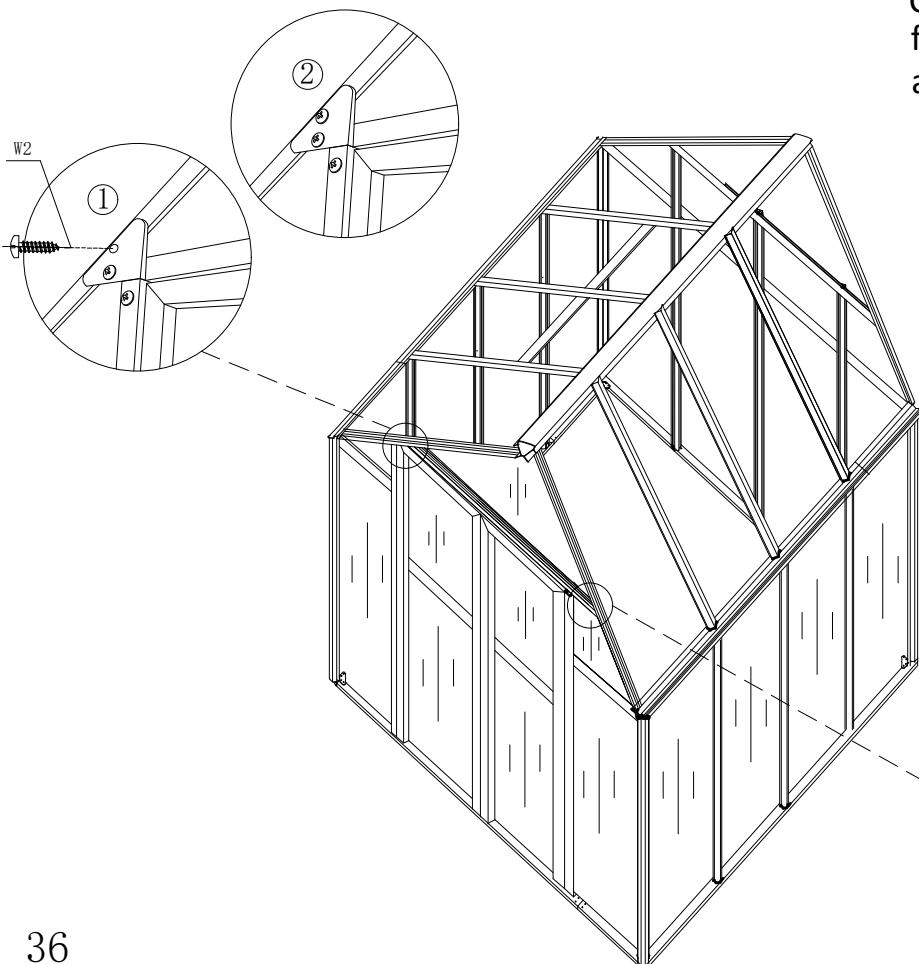
34

1. Connect four angled inclined pillars G with drain E1, as shown in Figure 2
2. Connect four angled inclined pillars G to the top crossbeam F, as shown in Figure 2



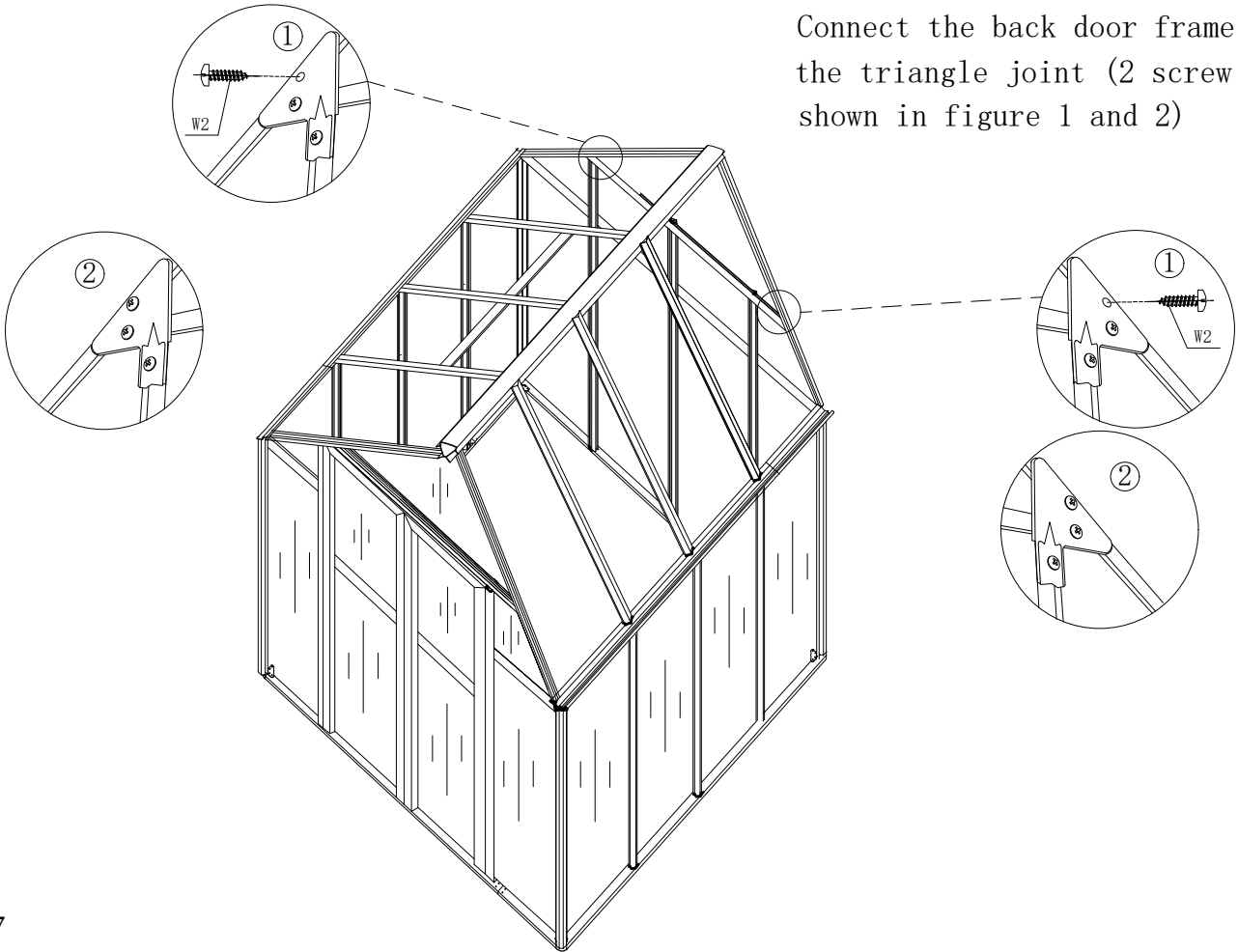
35

Connect the triangle joint to the front frame of the door (1 screw as shown in figure 1 and 2)



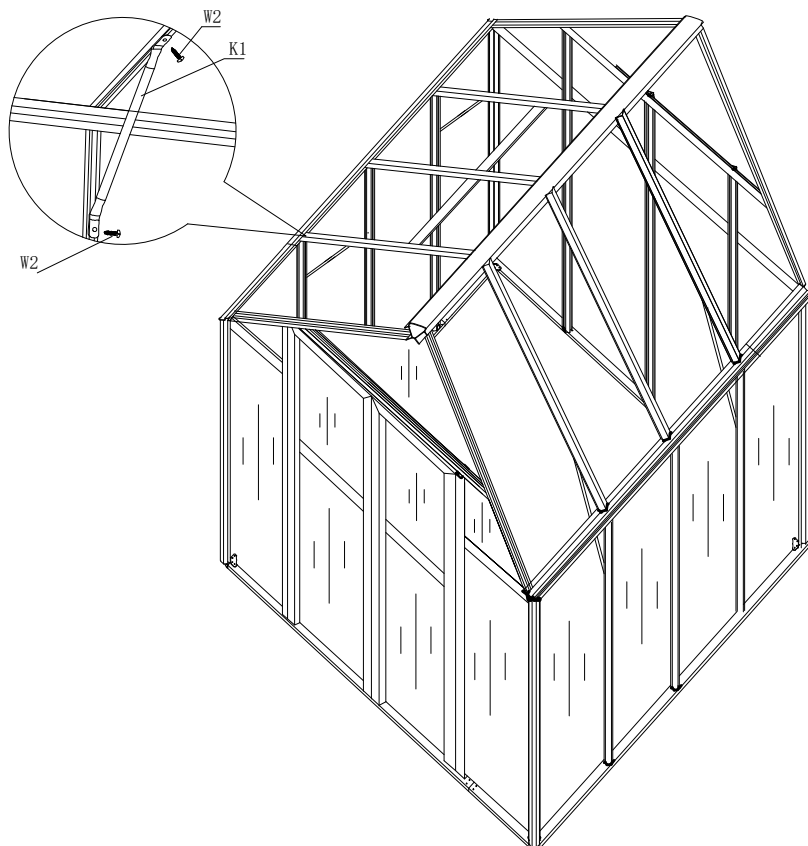
36

Connect the back door frame to the triangle joint (2 screw as shown in figure 1 and 2)



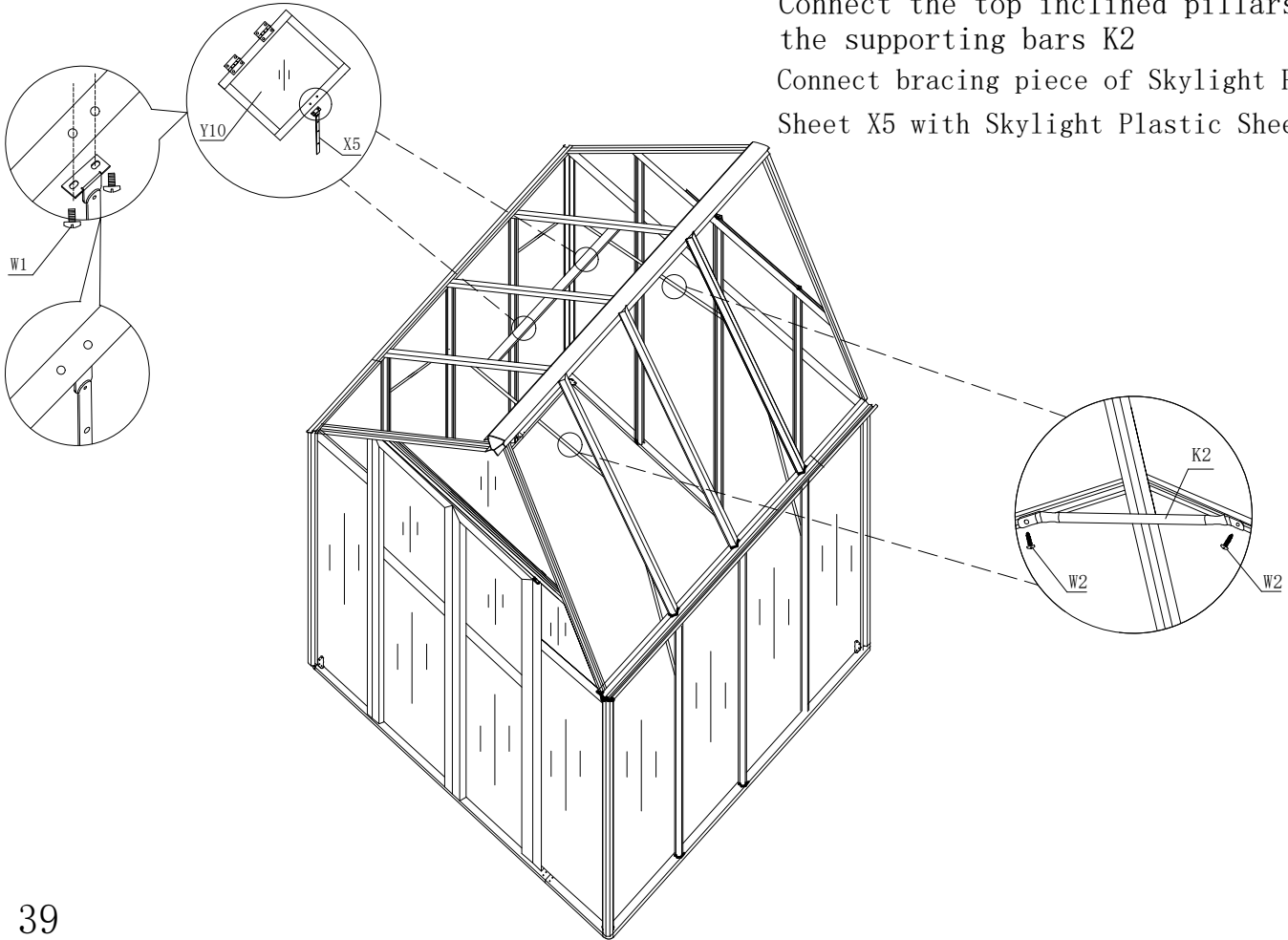
37

Install the inclined supporting bars K1 on the side pillars and inclined pillars.

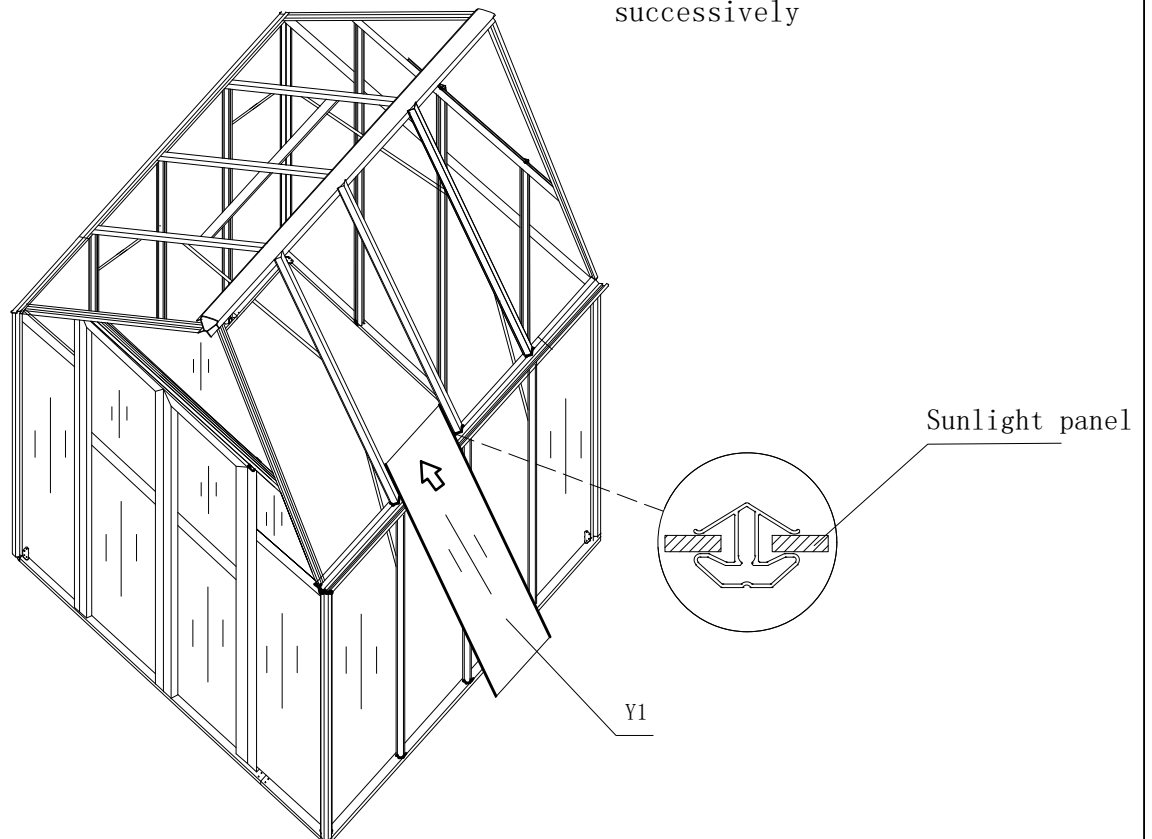


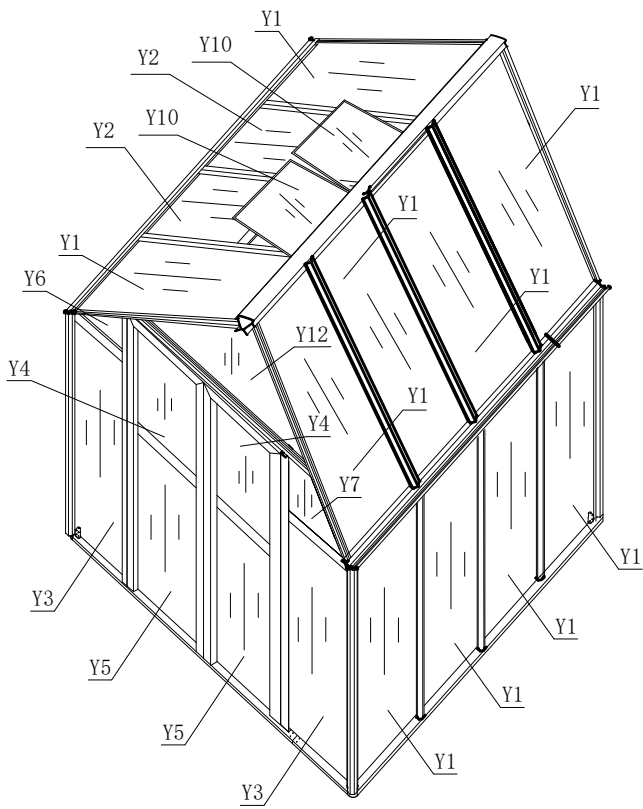
38

Connect the top inclined pillars with the supporting bars K2  
Connect bracing piece of Skylight Plastic Sheet X5 with Skylight Plastic Sheet Y10



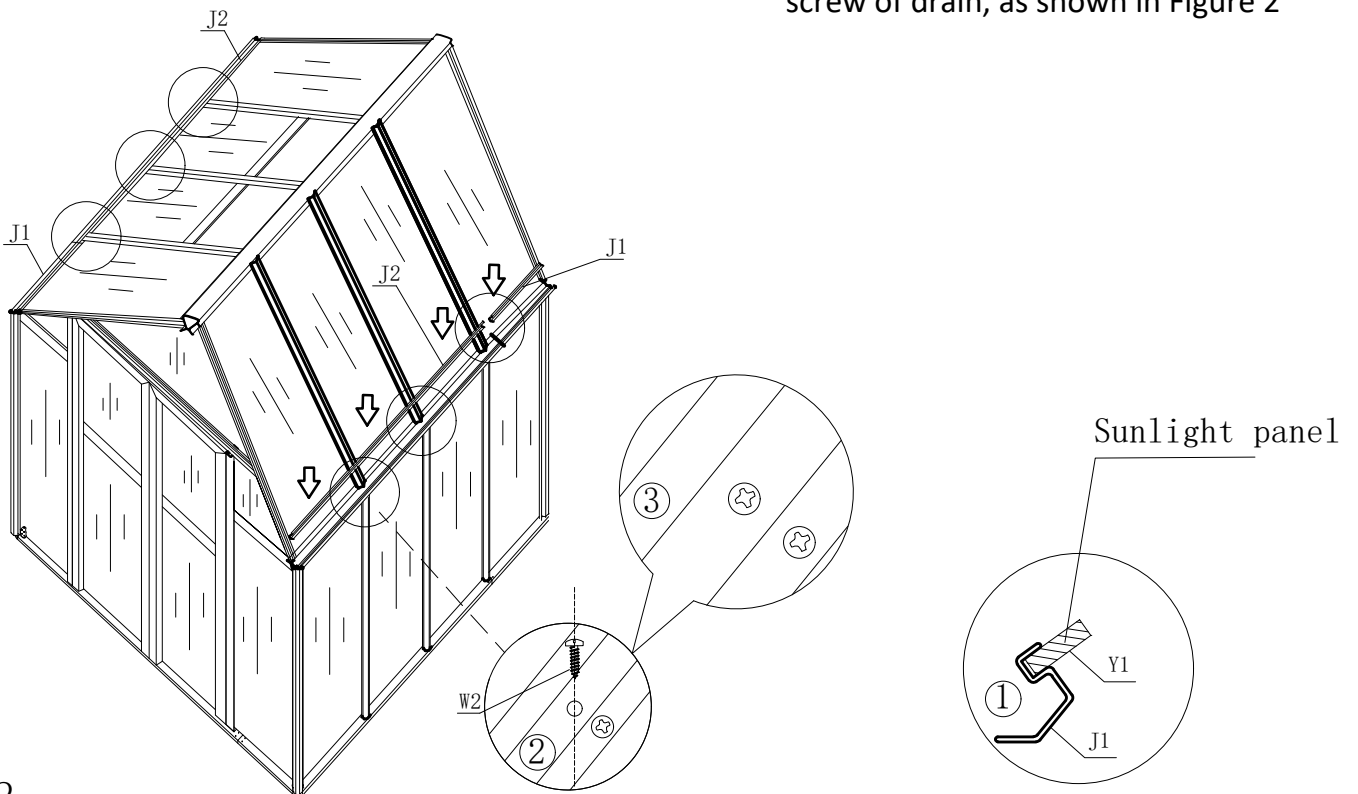
Insert skylight sunlight panel into the middle of slot successively





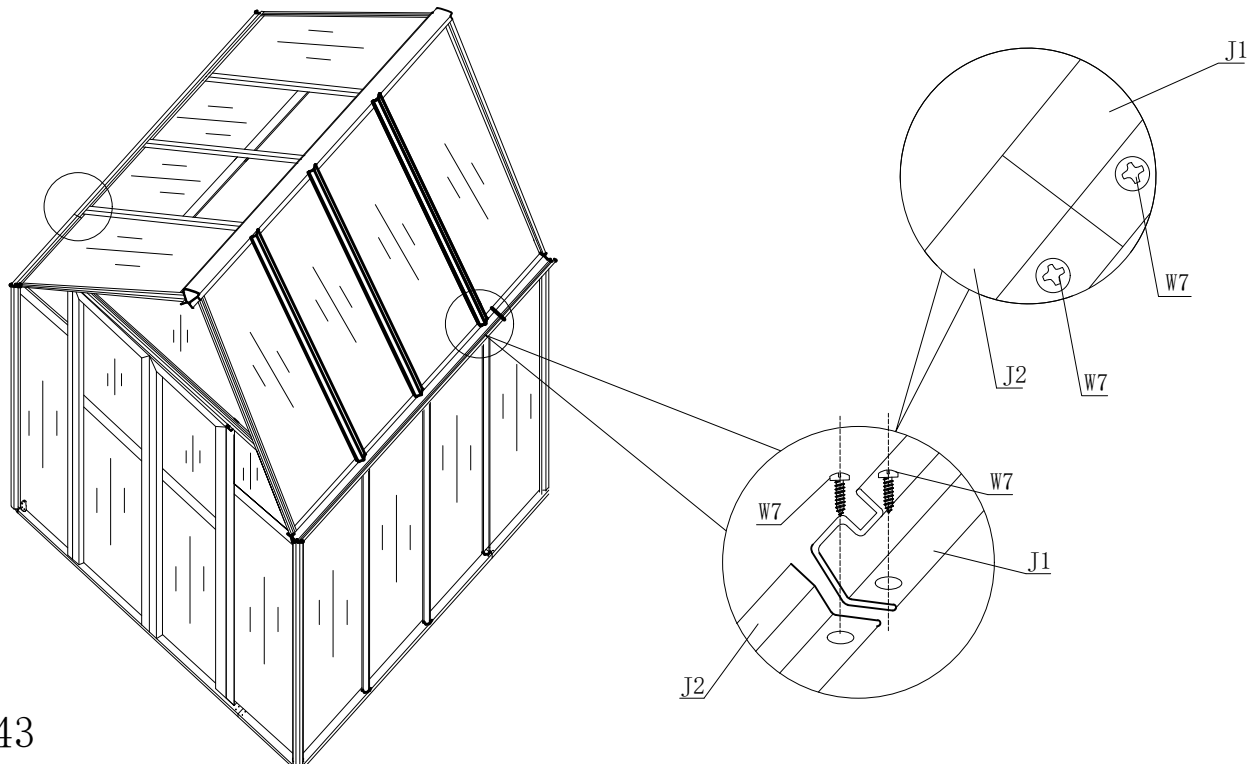
41

1. Insert pressing plate of drain into skylight plastic panel, as shown in Figure 1
2. The connection between pressing plate and screw of drain, as shown in Figure 2



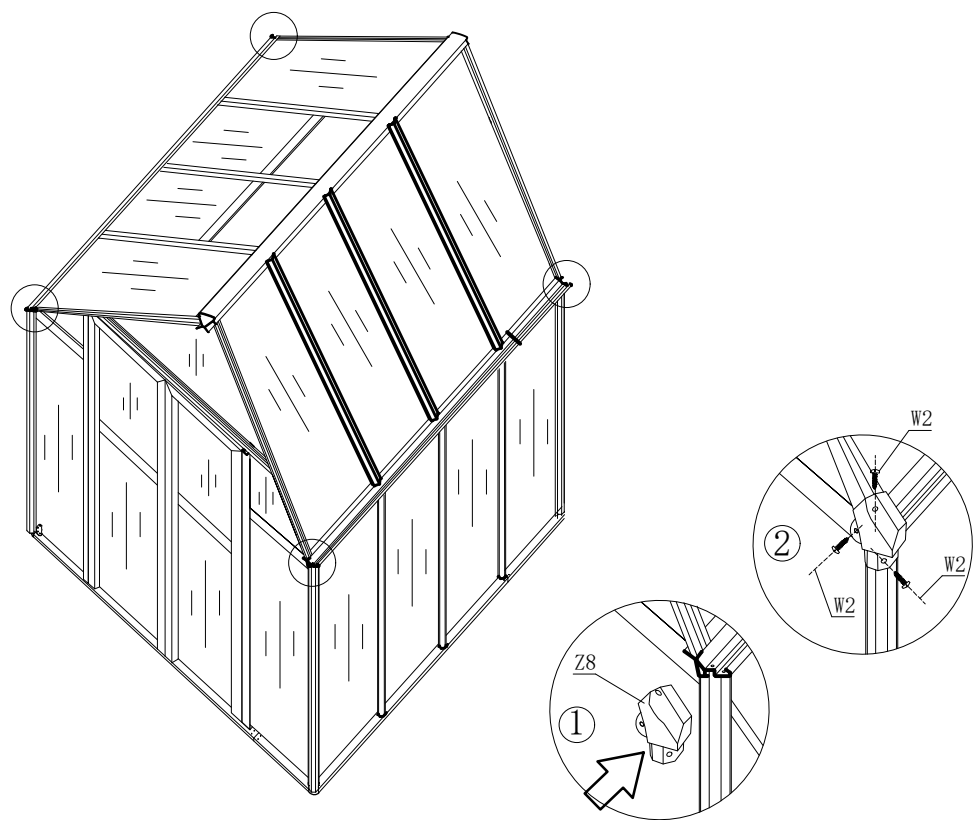
42

Connection of pressure plate and drainage ditch W7



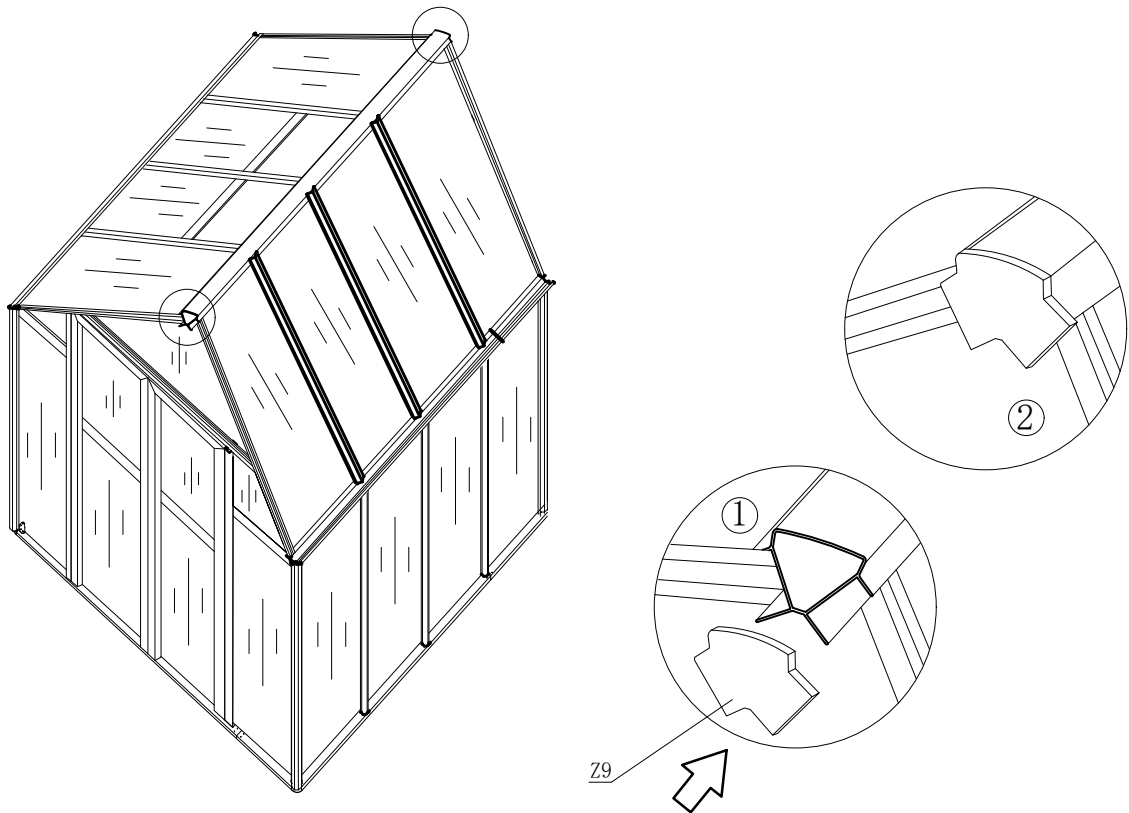
43

Fix plastic connector Z8 to the four side of corner of frame with screws W2

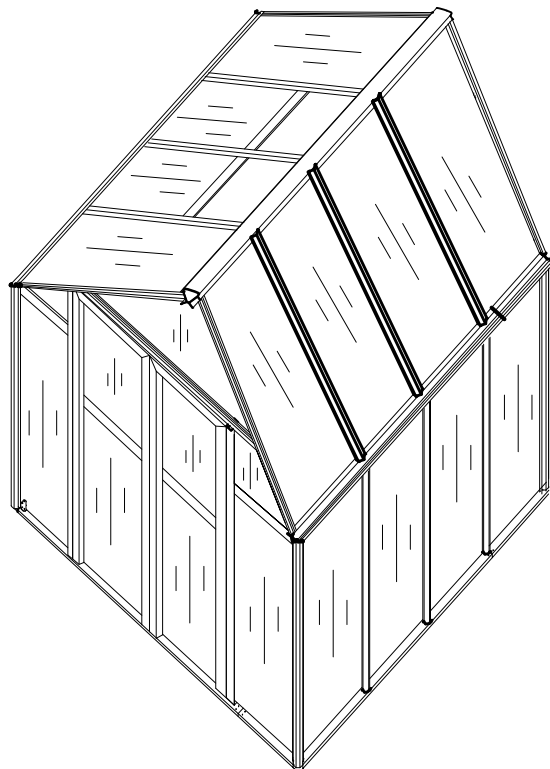


44

Knock the both side plug of top crossbeam



45



46