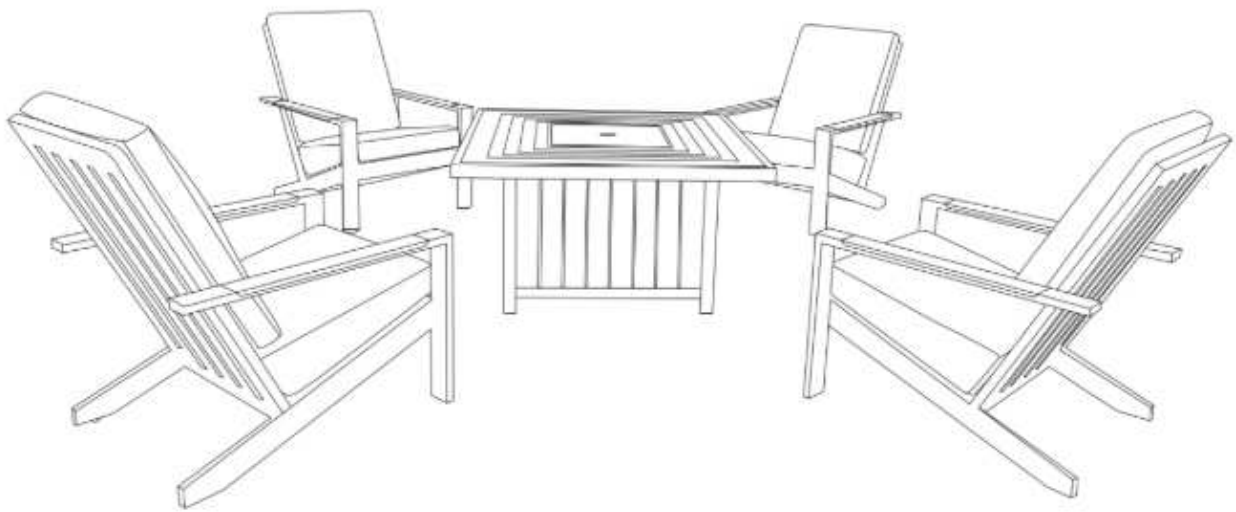


ASSEMBLY INSTRUCTIONS
5 Piece Adirondack Set with Fire Pit



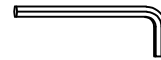
GENERAL INFORMATION & TIPS

1. Please read the assembly instructions prior to assembling the fire table.
2. To avoid damage, assemble the fire table on a non-abrasive surface such as carpet.
3. Make sure all bolts and screw tightly fastened before the fire table is used.
4. This fire table is not for commercial use.

Please make sure you have all parts before beginning assembly. Please wait until all steps are completed before tightening bolts and screw.

TOOLS REQUIRED

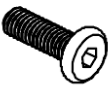




1. Allen Key.
- For tightening all bolts.



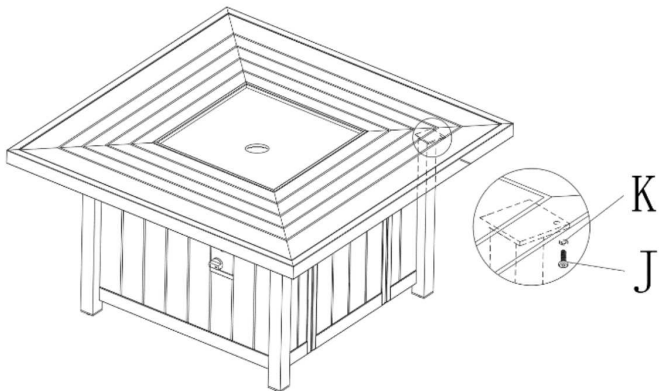
PARTS AND HARDWARE LIST

A. Table Top	B. Table Base	C. Tank Holder	D. Firepit Lid
Qty : 1 Pc	Qty : 1 Pc	Qty : 1 Pc	Qty : 1 Pc
E. Fire Stone	F. Burner Tray	G. Hinge	H1. Right Slider
Qty : 1 Set (19 lbs)	Qty : 1 Pc	Qty : 1 Pc	Qty : 1 Pc
H2. Left Slider	I Adjustable Feet.	J. 20mm Bolt	K. Washer.
Qty : 1 Pc	Qty : 4 Pcs	Qty : 4 Pcs	Qty : 16 Pcs

PARTS AND HARDWARE LIST

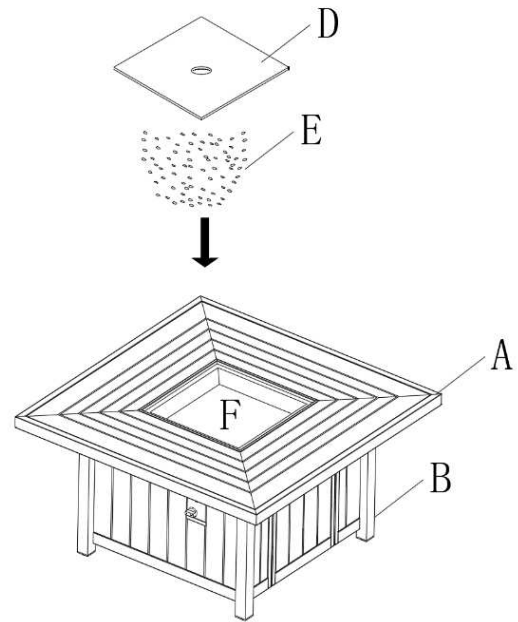
L. 15mm Bolt	M. Handle	N. Switch Knob	O. Butterfly Bolt
			
Qty : 8 pcs	Qty : 1 set	Qty : 1 Pc	Qty : 1 Pc
P.Circular Alumunium Parts			
			
Qty : 1 Pc			

STEP 1



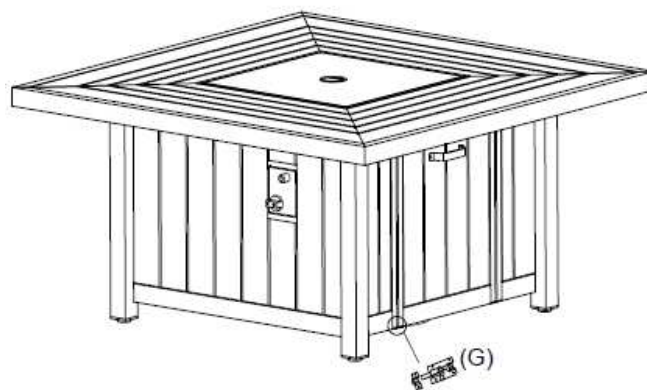
Put the table top (A) on the table base (B), Alignment of hole spacing
Connect the washer (K) with the 20mm bolt (J) and tighten it with a allen key.

STEP 2



Put fire stone (E) into the burner tray (F). Cover the burner tray (F) with the firepit lid (D) when the fire feature is not in use.

STEP 3



Open the hinge (G) before you put the gas tank.

Operation

Connect and disconnect the LP Gas Tank

Connect: Open the door on the table base and place the LP gas tank into the round tank holder. Connect the regulator to tank by turning the knob clockwise until it stops.

Disconnect: Before disconnecting make sure the LP gas tank valve is "CLOSED".

Disconnect regular from LP gas tank by turning knob counterclockwise until it is loose.

Open the drawer and place the 20 pound gas tank on the tank support .

Secure the tank on the bottom base by screw to fix the tank to prevent the tank from moving . Attach the tank to the hook on the drawer panel .

Attach the fire bowl to the gas tank with the hose from the fire bowl.

Close the drawer.

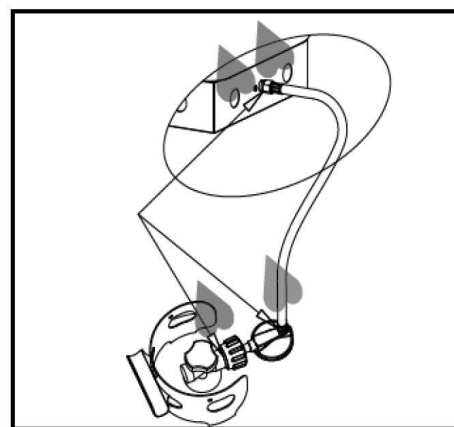
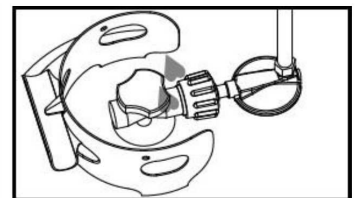
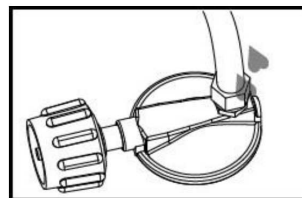
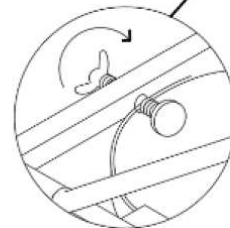
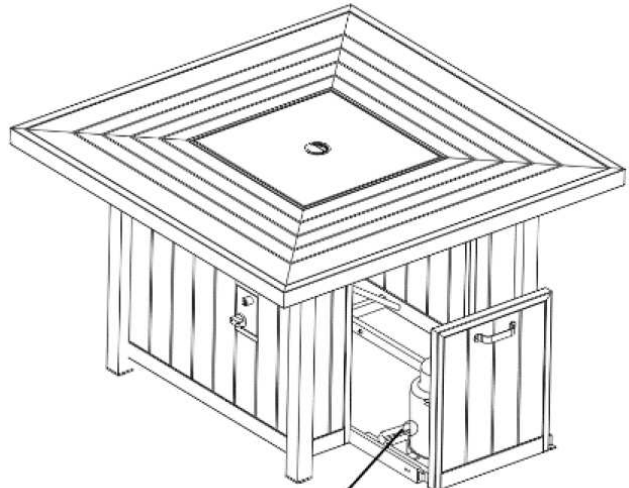
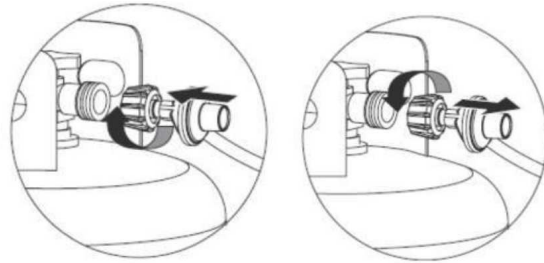
Mix two to three ounces of a soapy solution to check for leaks. Use one part liquid dishwashing detergent and three parts water.

Apply several drops of solution where the hose attaches to the regulator.

Apply several drops of solution where the regulator connects to the cylinder.

Make sure all fire pit and ignition valves are off. Turn the cylinder valve on.

If any soap bubbles are visible where the solution has been applied, the connections must be tightened another turn and the leak check must be performed again.



WARNING: Follow all leak-checking procedures before operating. To prevent fire or explosion hazard when testing for a leak:

- Always perform a leak test before lighting the outdoor fire pit table and each time the tank is connected for use.
- No smoking. Do not use or permit any possible sources of ignition in the area while conducting a leak test.
- Conduct the leak test outdoors in a wellventilated area.
- Do not use matches, lighters, or a flame to check for leaks.
- Do not use the outdoor fire pit table until any and all leaks are corrected.

If you are unable to stop a leak, disconnect the LP gas supply. Call a gas appliance serviceman or your local LP gas company.



NOTE : If burner fails to remain lit, close all valves and wait 5 minutes before attempting to light the fire pit again.

NOTE : To operate, you will need a standard 20 pound propane tank.

Operation (continued)

Lighting the fire pit

1. One AA battery required for use (not included). Twist off the ignitor switch knob and insert 1 AA battery as pictured below. Tighten ignitor switch knob.
2. Push and slowly turn the control knob to the LOW position.
3. Hold ignitor to light the burner, release control knob after 5 seconds.
4. Observe the flame height when lit. Flame should be 3 to 13 inches high .
5. If the burner does not light after 5 seconds, immediately turn the control knob to the OFF position.
6. Wait approximately five minutes to clear out any gas, and repeat steps 1-4above.
7. If your burner fails to light again, turn the control knob to the OFF position and contact your dealer or gas supplier.

Shut Down instruction:

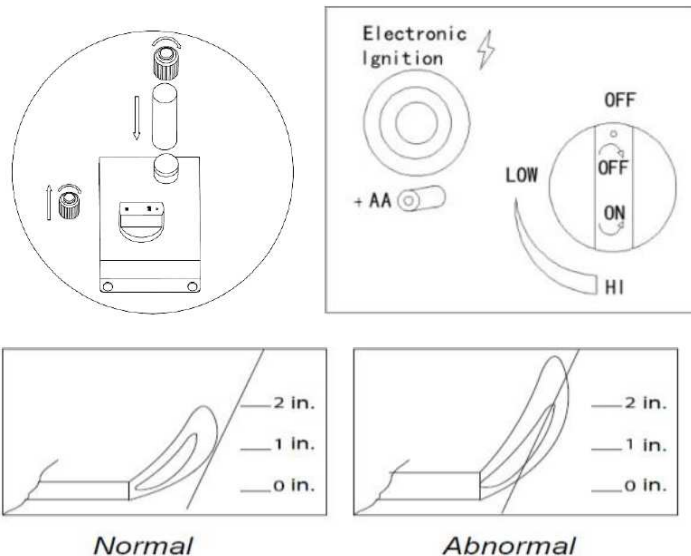
To extinguish your gas burner, turn the control knob to the OFF position. Be sure the control knob is turned fully off to avoid any gas leakage.

NOTE : If burner fails to remain lit, close all valves and wait 5 minutes before attempting to light the fire pit again.

NOTE :When fire pit is on: The burner will display blue and yellow flames. These flames should not be yellow or produce thick black smoke. This would indicate an obstruction of airflow through the burners.

The flames should be blue with straight yellow tops. If excessive yellow flames are detected, turn off the burner and consult "Troubleshooting" on page 7.

WARNING: Be careful when attempting to manually ignite this fire pit. Improper igniting procedure may cause injury or property damage.



Air flow through the fire pit must remain unobstructed. Keep ventilation openings, controls, burner, and air passages clean and clear of debris. Signs of possible blockage include the following Gas odor with extreme yellow tipping of flame.

CARE MAINTENANCE

Maintenance

Air flow through the fire pit must remain unobstructed. Keep ventilation openings, controls, burner, and air passages clean and clear of debris. Signs of possible blockage include the following :

Gas odor with extreme yellow tipping of flame.

Fire pit does not reach the desired temperature.

Fire pit glow is excessively uneven.

Fire pit makes popping noises.

Spiders and insects can nest in the burner or other openings. This dangerous condition can damage the fire pit and render it unsafe for use. Clean burner holes using a heavy-duty pipe cleaner. Compressed air may help clear away smaller particles.

Carbon deposits may create a fire hazard. Clean the dome and burner screen with warm soapy water if any carbon deposits develop.

Care and Cleaning

To enjoy years of performance from your fire pit, make sure you perform the following maintenance activities on a regular basis:

- Keep exterior surfaces clean.
 - Use warm soapy water for cleaning. Never use flammable or corrosive cleaning agents.
 - While cleaning your unit, be sure to keep the area around the burner dry at all times.
 - Do not submerge the control valve assembly. If the gas control is submerged in water, do NOT use it again. It must be replaced.
- Keep the appliance area clear and free from combustible materials, gasoline, and other flammable vapors and liquids.
- Do not obstruct the flow of combustion and ventilation air.
- Clean burner holes by using a heavy duty pipe cleaner. Compressed air may help clear away smaller particles.

Storage BETWEEN USES

- Turn the control knob OFF.
- Disconnect the LP source.
- Store the fire pit upright in an area sheltered from direct contact with inclement weather (such as rain, sleet, hail, snow, dust, and debris).
- If desired, cover the fire pit to protect the exterior surfaces and to help prevent build-up in air passages.

NOTE : Wait until the fire pit is cool before covering

During periods of extended inactivity or when transporting

- Turn the control knob OFF.
- Disconnect the LP source, and move it to a secure, well-ventilated location outdoors.
- Store the fire pit upright in an area sheltered from direct contact with inclement weather (such as rain, sleet, hail, snow, dust and debris).
- If desired, cover fire pit to protect exterior surfaces and to help prevent build-up in air passages.

WARNING : Never leave LP cylinder exposed to direct sunlight or excessive heat. Wait until the fire pit is cool before covering.

CAUTION : Always the allow fire pit to cool before attempting service.

Service

Only a qualified service person should repair gas passages and associated components.

Troubleshooting

PROBLEM	POSSIBLE CAUSE	CORRECTIVE ACTION
The burner will not light	<ul style="list-style-type: none"> • The propane cylinder is frosted over. • An opening is blocked. • The control knob is not in the ON position. • There may be too much fire stone covering the burner bowl or small pieces may be blocking the burner holes. • Battery is dead or not installed properly on ignitor switch. 	<ul style="list-style-type: none"> • Wait until the propane cylinder warms up and becomes unfrosted. Clear the blockage. • Turn the control knob to ON. • Remove a portion of the fire stone • Install new AA battery (not included) for the ignitor switch
The burner flame is too low.	<ul style="list-style-type: none"> • The gas pressure is low. • The outdoor temperature is less than 40°F, and the tank is less than ¼ full. 	<ul style="list-style-type: none"> • Wait until the propane cylinder warms up and becomes unfrosted. Clear the blockage. • Turn the control knob to ON. • Remove a portion of the fire stone • Install new AA battery (not included) for the ignitor switch
Carbon build-up and/or thick black smoke is present.	<ul style="list-style-type: none"> • There is dirt or film on the reflector and burner screen. • The burner is blocked. 	<ul style="list-style-type: none"> • Clean the reflector and burner screen. • Remove any blockage, and clean the burner inside and outside.