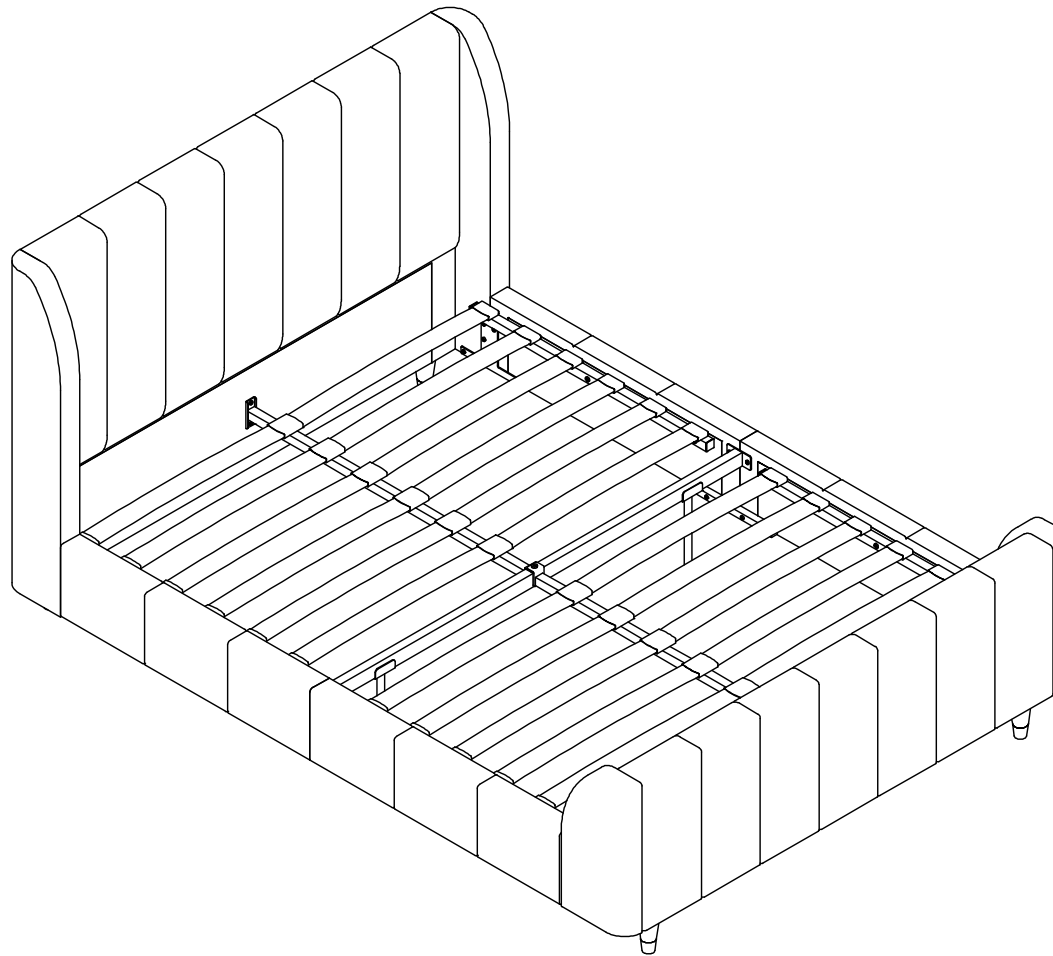


Upholstered Bed

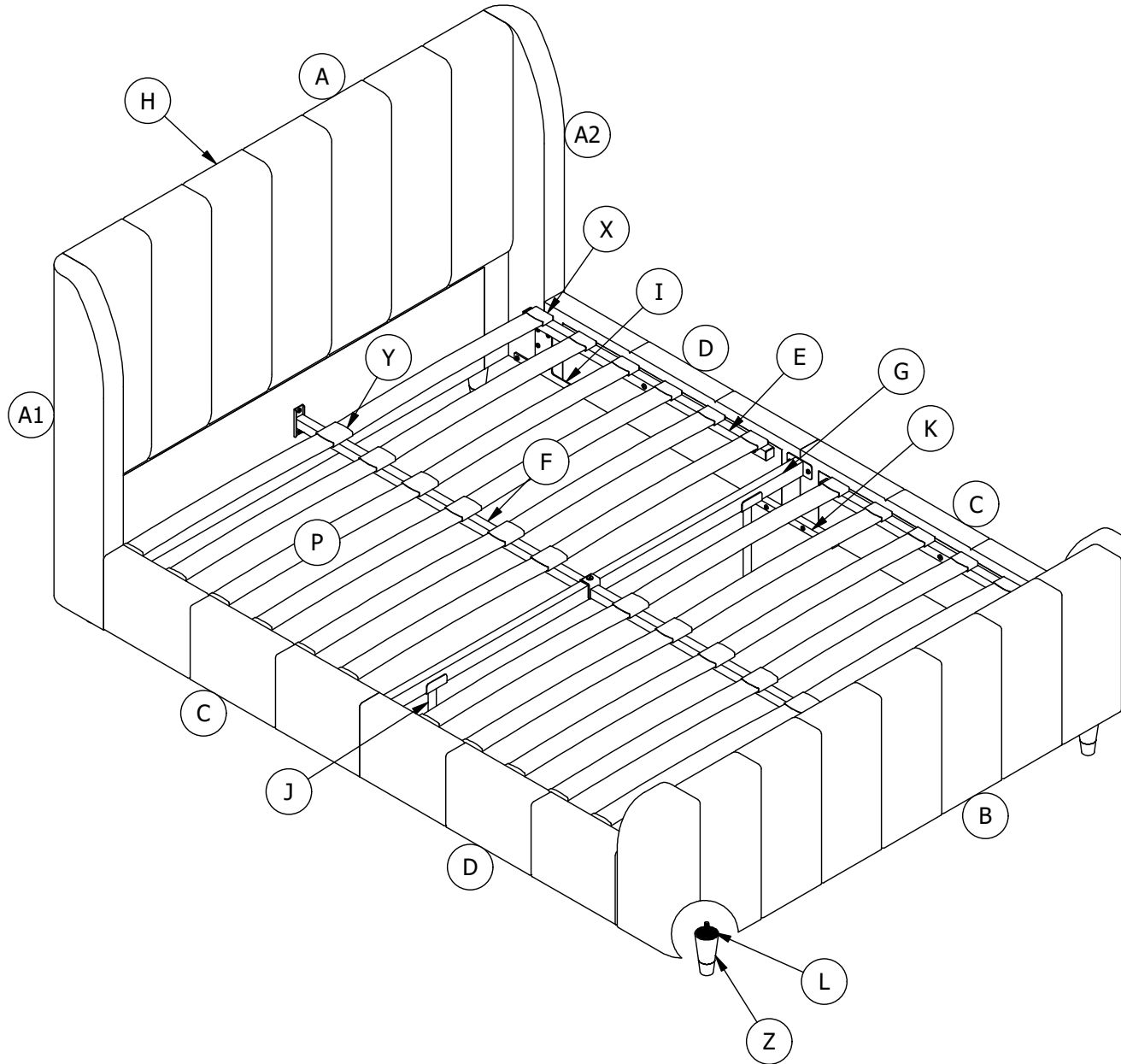
Full

Weight Limit:
Bed: 800 LBS / 363 KG

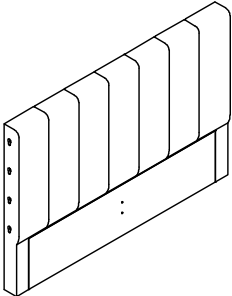

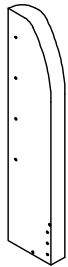
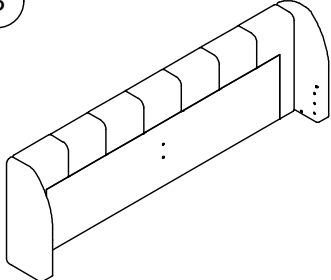
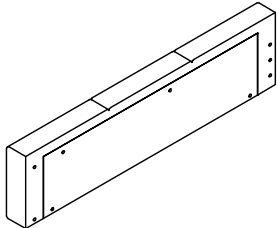
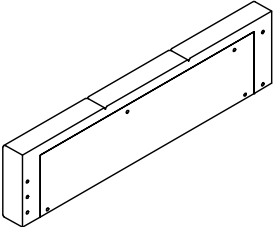
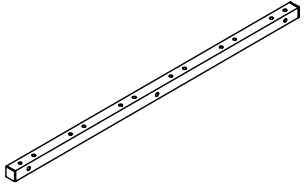
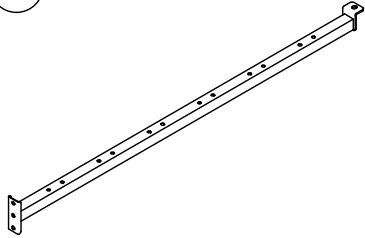
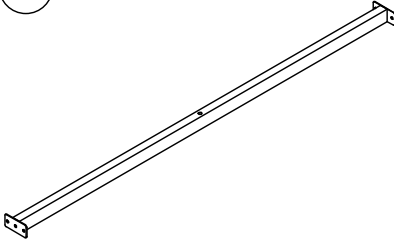
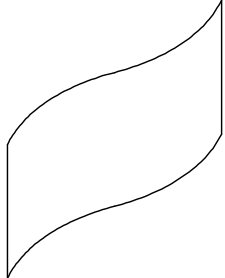


Version: 2025/12/2

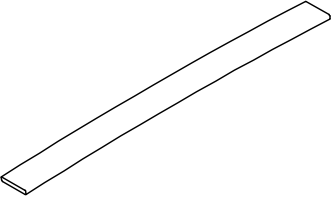
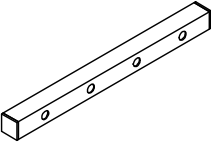
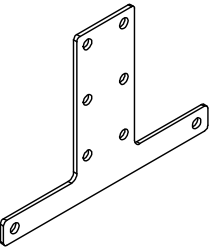
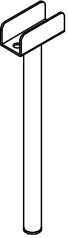
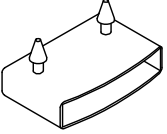
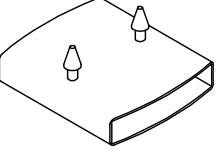
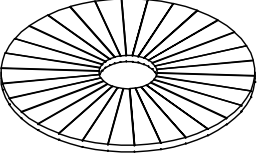
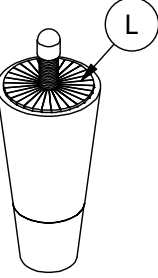
PARTS



PARTS LIST

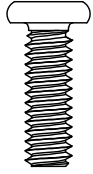
				
<p>Headboard 1 PC</p>	<p>Side board 1 PC</p>	<p>Side board 1 PC</p>	<p>Footboard 1 PC</p>	<p>Side Panel 2 PCS</p>
				
<p>Side Panel 2 PCS</p>	<p>Side Rail 4 PCS</p>	<p>Center Rail 2 PCS</p>	<p>Cross Rail 1 PC</p>	<p>Back fabric Panel 1 PC</p>

PARTS LIST

<p>(P)</p> 	<p>(K)</p> 	<p>(I)</p> 	<p>(J)</p> 	<p>(X)</p> 
<p>Wooden Slat 24 PCS</p>	<p>Side Rail 2 PCS</p>	<p>Bracket 4 PCS</p>	<p>Support Leg 2 PCS</p>	<p>Single Slat Cap 24 PCS</p>
<p>(Y)</p> 	<p>(L)</p> 	<p>(Z)</p> 		
<p>Double Slat Cap 12 PCS</p>	<p>Plastic Washer 4 PCS</p>	<p>Leg 4 PCS</p>		

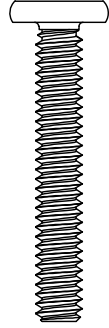
HARDWARE LIST

1



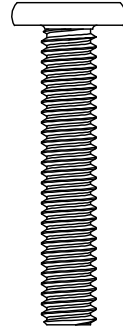
1/4" X 3/4"
Bolt
X 44

2



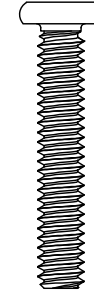
1/4" X 1 9/16"
Bolt
X 12

3



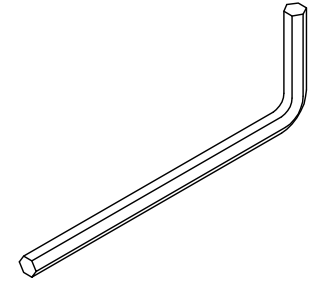
5/16" X 1 9/16"
Bolt
X 9

4



1/4" X 1 3/8"
Bolt
X 8

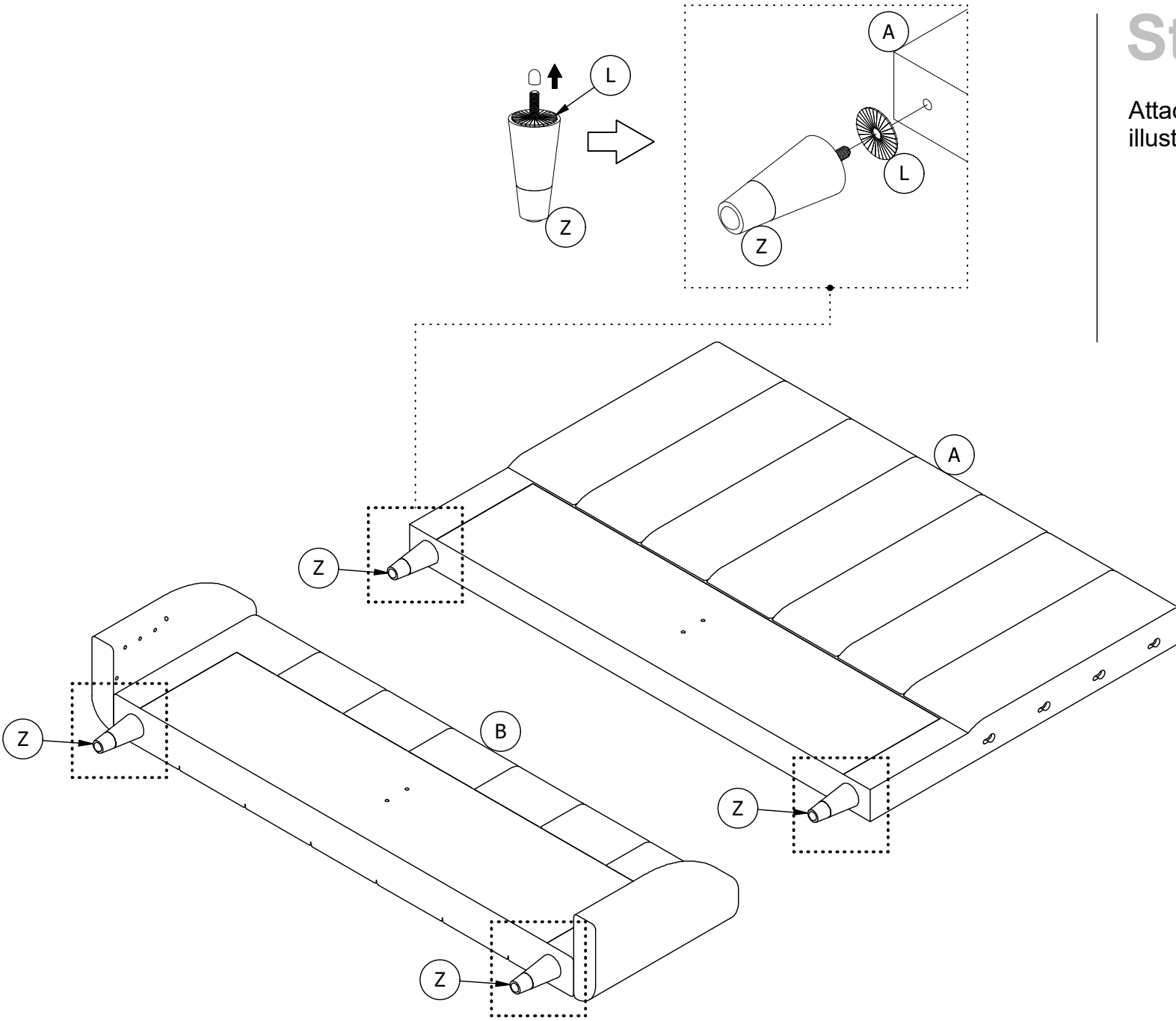
5



4mm
Allen Key
X 1

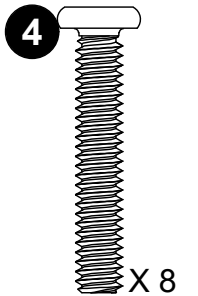
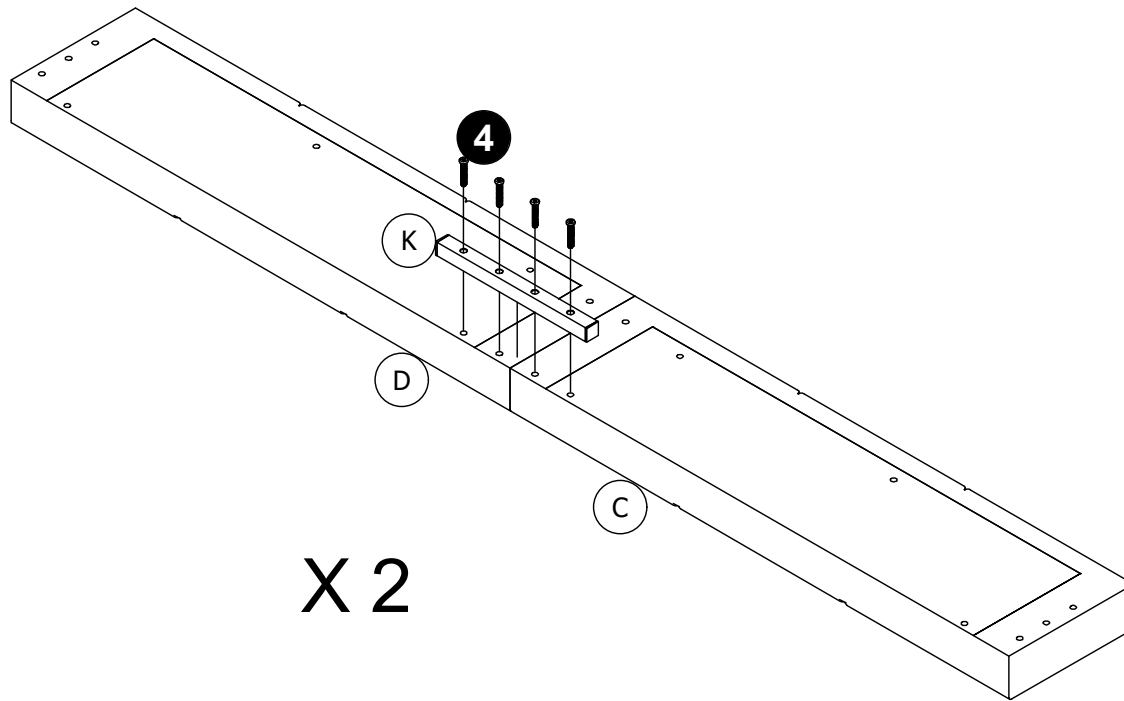
Step 1

Attach **Z** x 4 and **L** x 4 to **A** & **B** as illustrated left.



Step 2

Attach **K** to **C** and **D** with **4**.
Then properly tighten all the Bolts in this step.
Repeat the same assembly step for the remaining C, D & K.

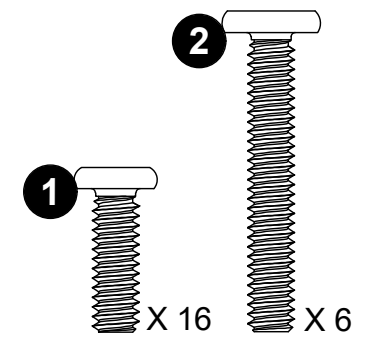
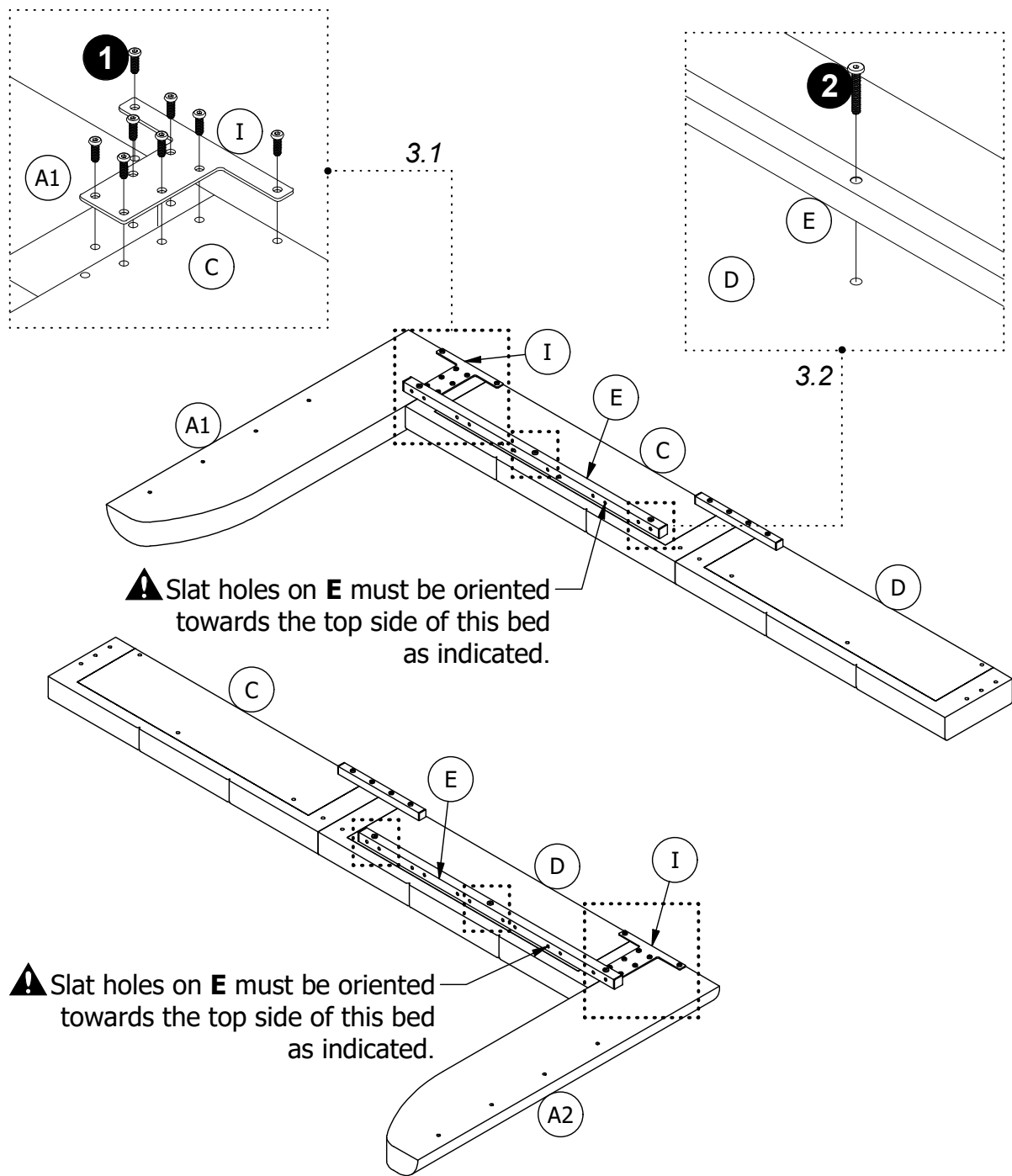


Step 3

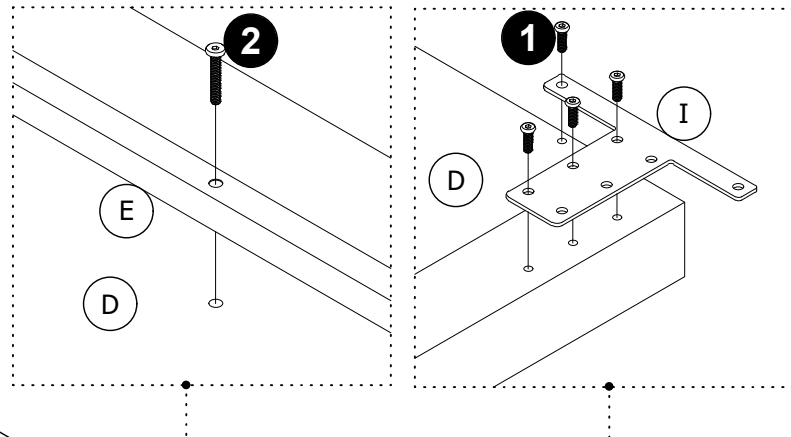
3.1 Attach one **I** to **C** & **A1** with **1**, attach another **I** to **D** & **A2** with **1**.

3.2 Attach one **E** to **C** & **A1** with **2**, attach another **E** to **D** & **A2** with **2**.

Properly tighten all the BOLTS in this step.



Step 4

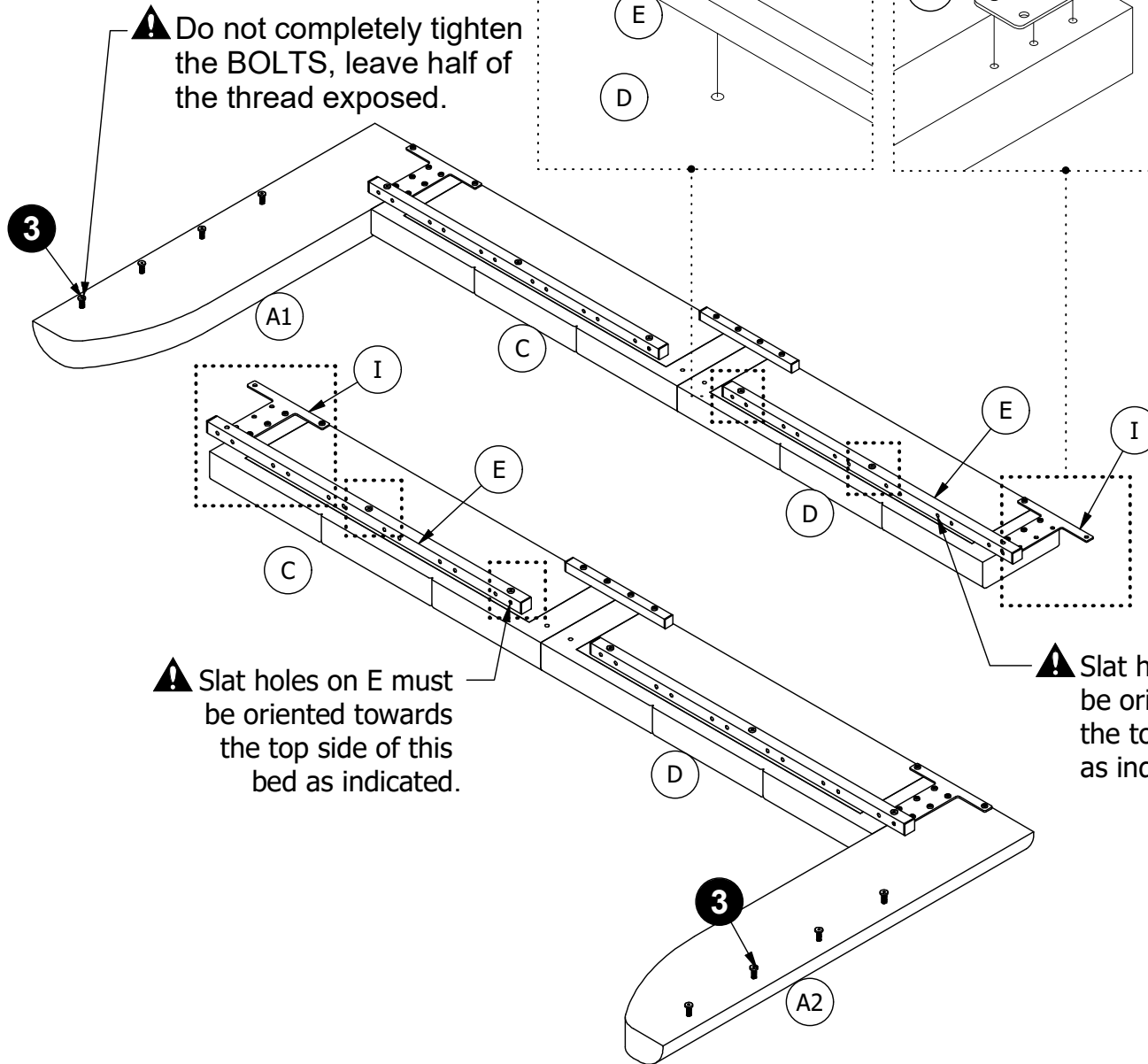


Attach remaining **E** x 2 to **C** and **D** with **2** as illustrated.

Attach remaining **I** x 2 to **C** and **D** with **1** as illustrated.

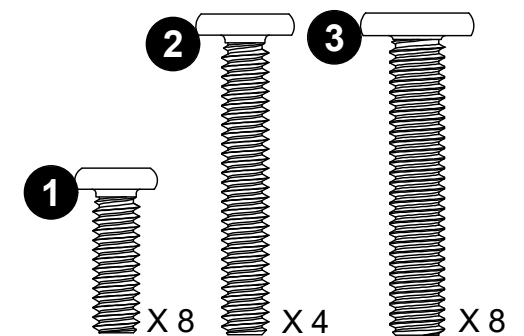
Screw **3** to **A1** and **A2**, leave half of the thread exposed.

Do not completely tighten the BOLTS in this step.



⚠ Slat holes on **E** must be oriented towards the top side of this bed as indicated.

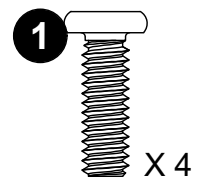
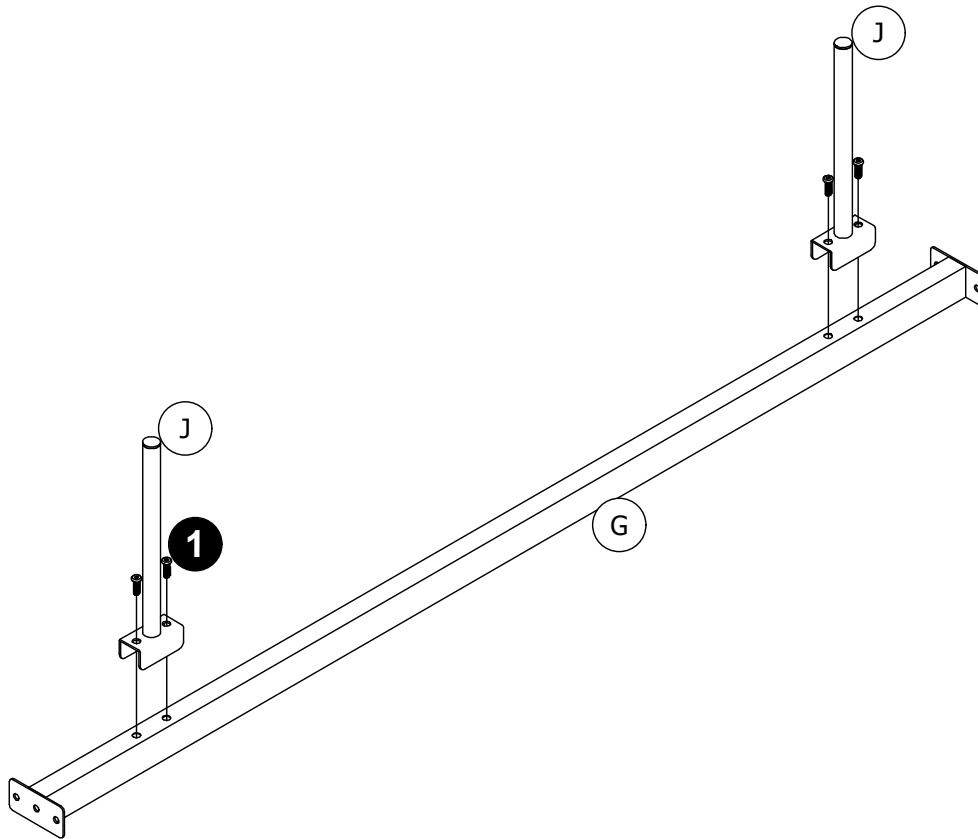
⚠ Slat holes on **E** must be oriented towards the top side of this bed as indicated.

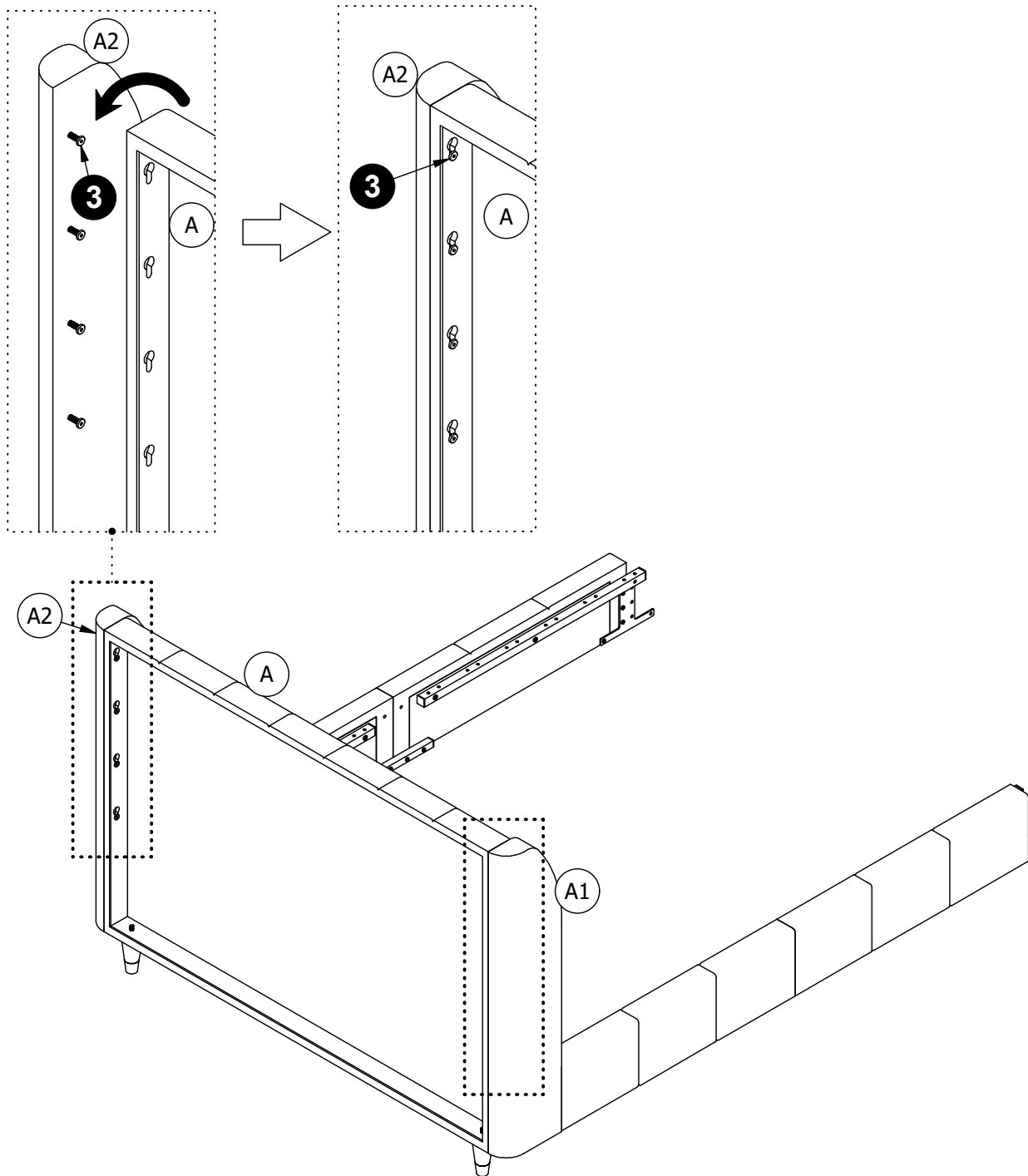


Step 5

Attach **J** X 2 to **G** with **1**.

Then properly tighten all the Bolts in this step.





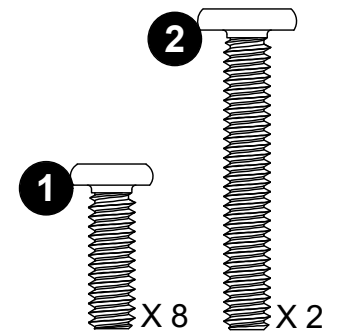
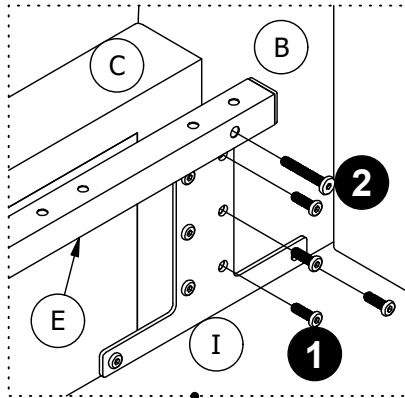
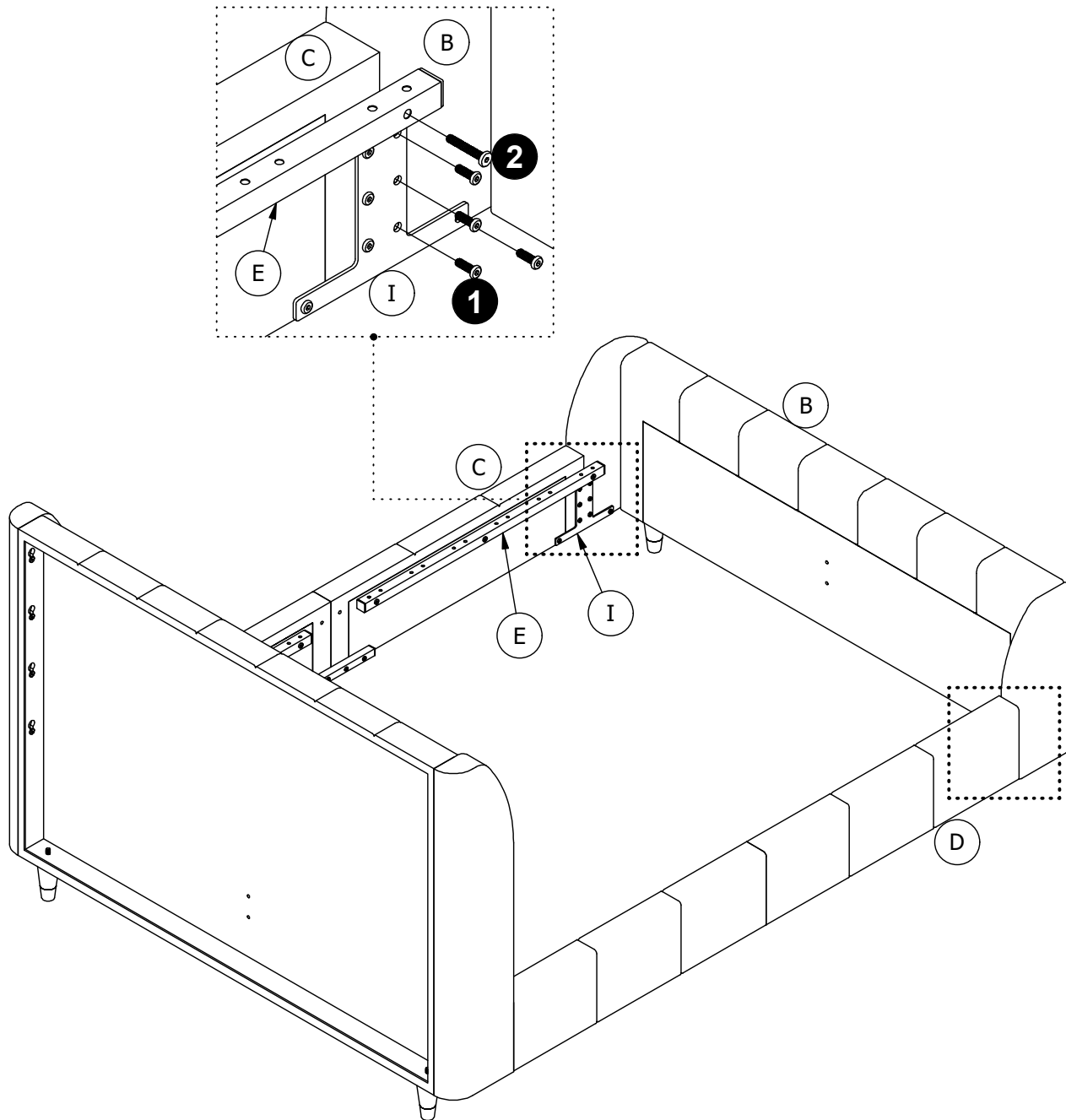
Step 6

Hang **A1** and **A2** on **A** as illustrated left.
Don't completely tighten the BOLTS **3** until **STEP 9** is complete.

Step 7

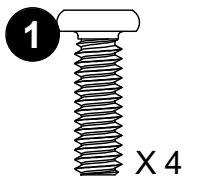
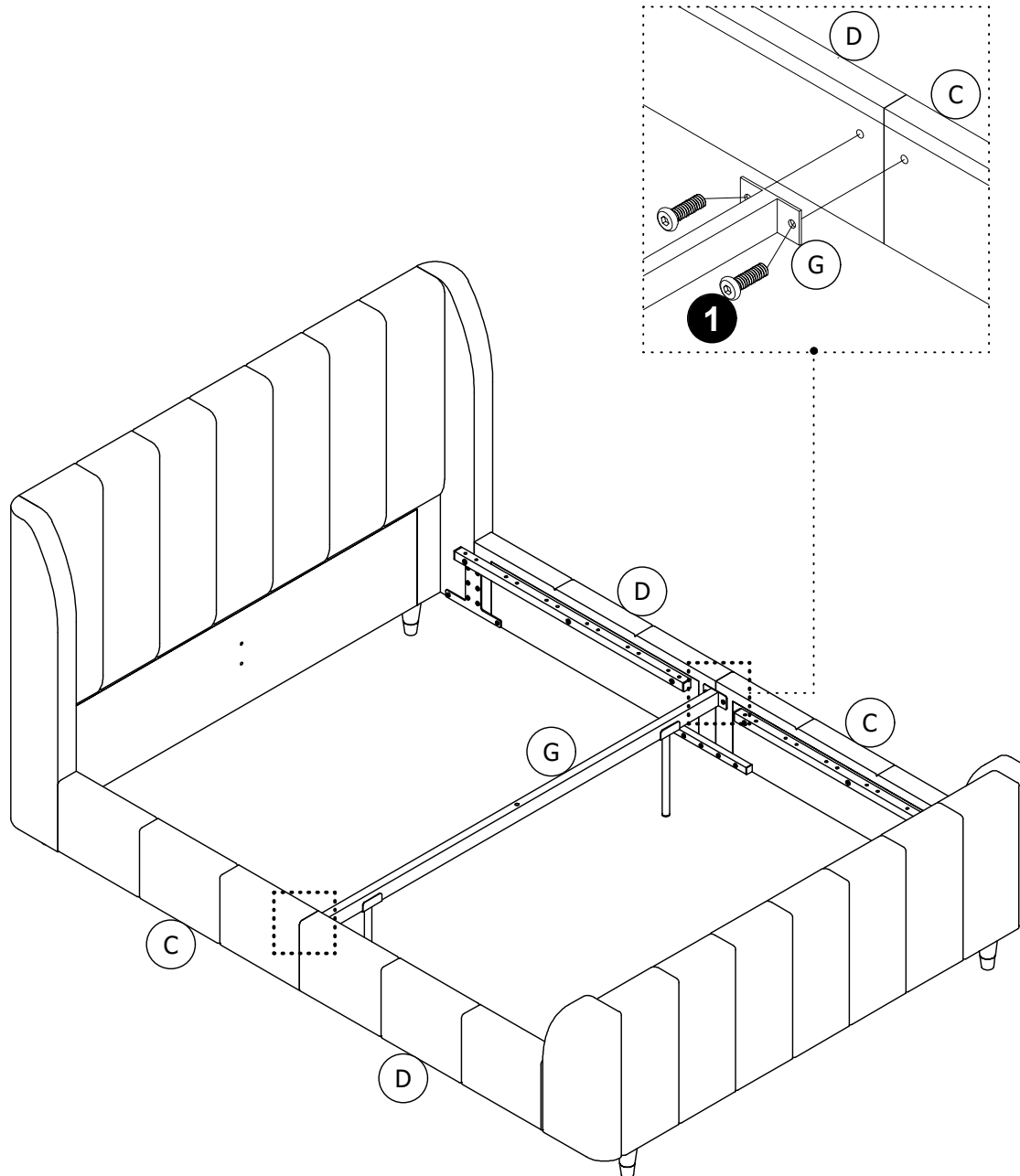
Attach **E** to **B** with **2**.

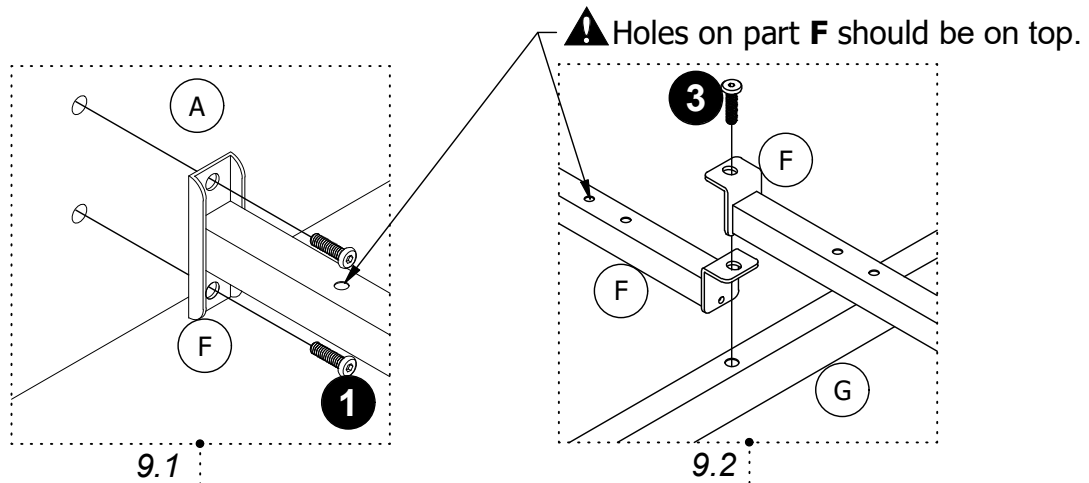
Attach **I** to **B** with **1**.



Step 8

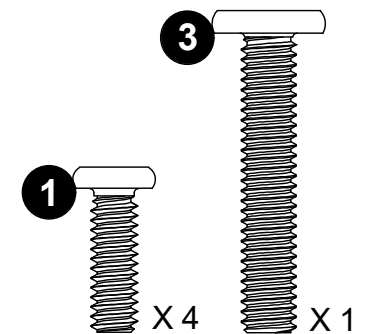
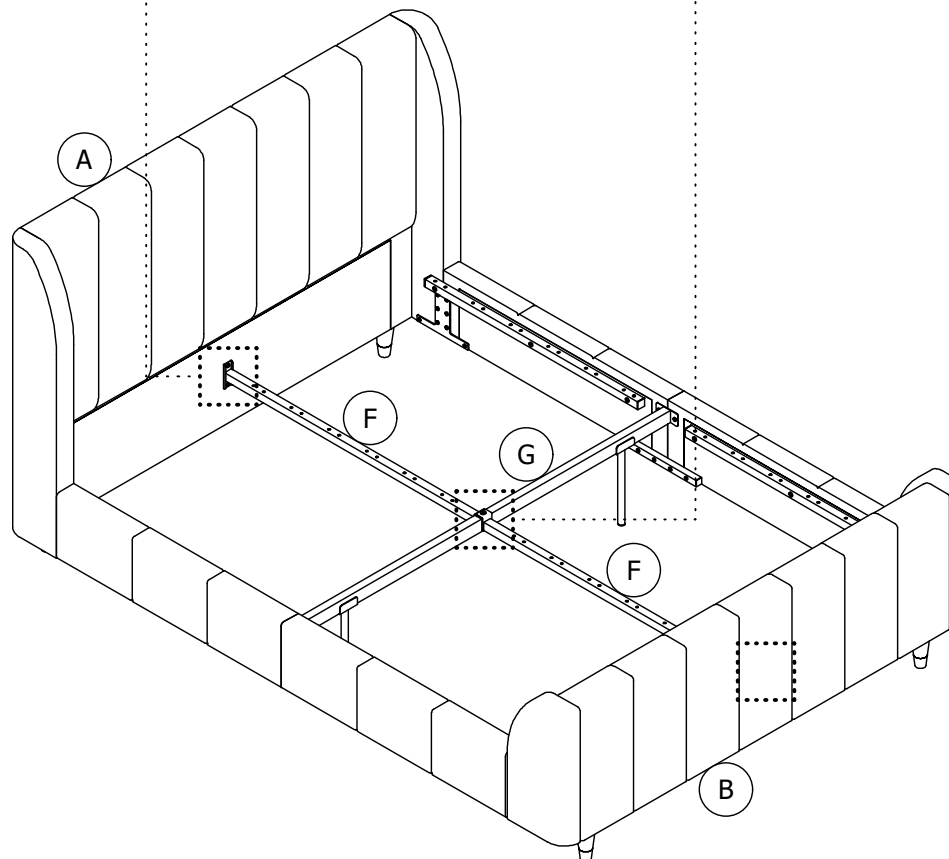
Attach **G** to **C** & **D** with **1**.





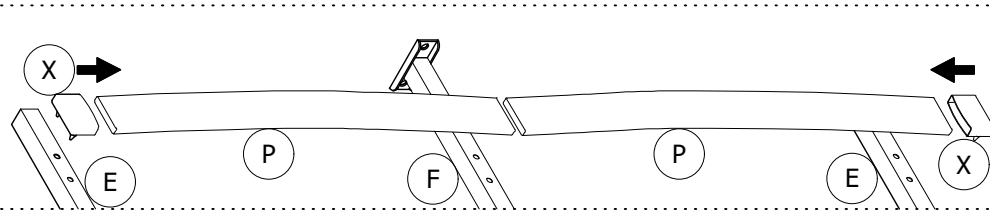
Step 9

- 9.1 Attach **F** X 2 to **A** and **B** with **1**.
- 9.2 Attach **F** X 2 to **G** with **3**.
- Then properly tighten all the bolts.

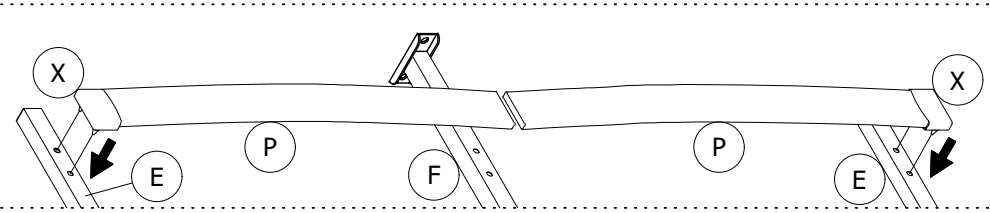


Step 10

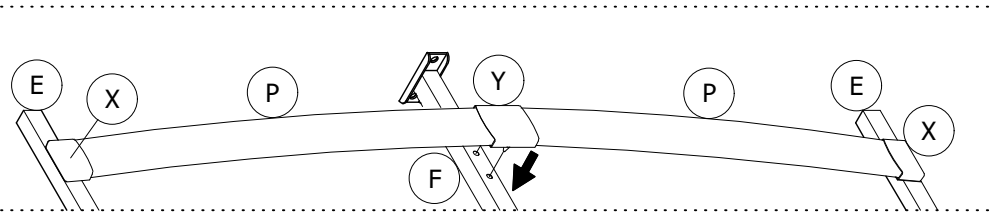
10.1



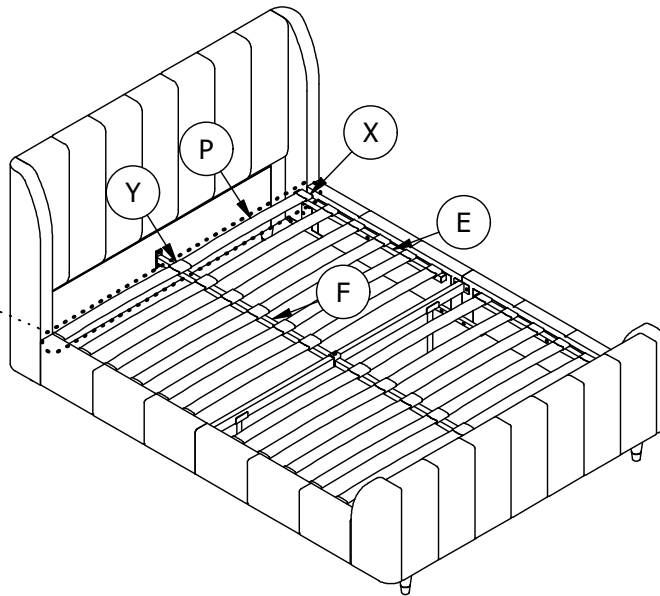
10.2



10.3



10.1 Insert **P** into **X**;
10.2 Press **X** into **E**, repeat the same procedure for the opposite side of the bed with a new **P** and **X** to press **X** into **E**.
10.3 Insert ends of both slat **P** into **Y**, then press **Y** into **F** as illustrated. Repeat the same procedures going backwards for every row of slats.



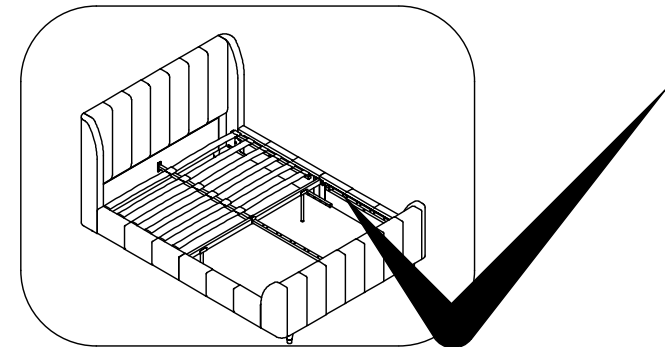
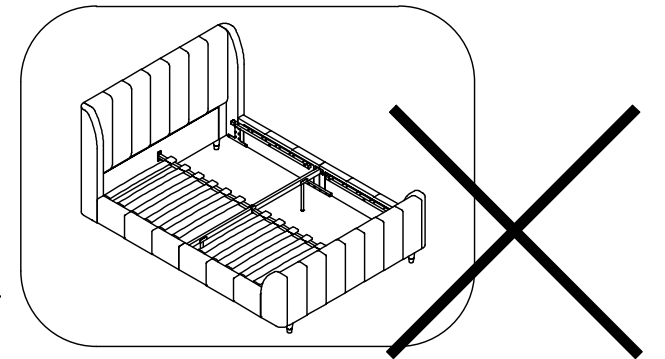
SLAT WARNING



Correct: Slat curve should be directed upwards.



Incorrect: Slat curve directed downwards.



Step 11

Stick **H** to the back of **A** with Velcro as illustrated.

