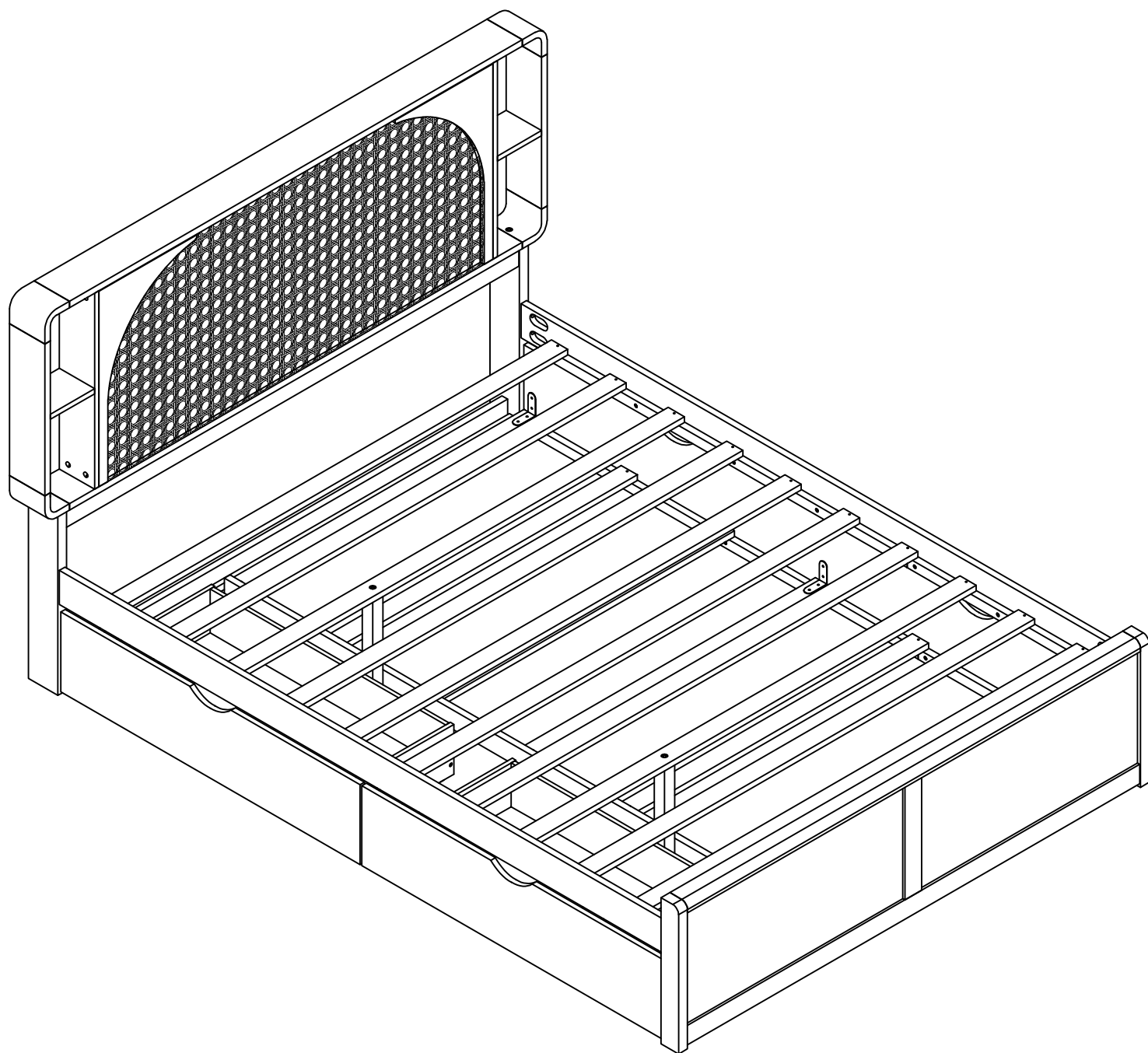
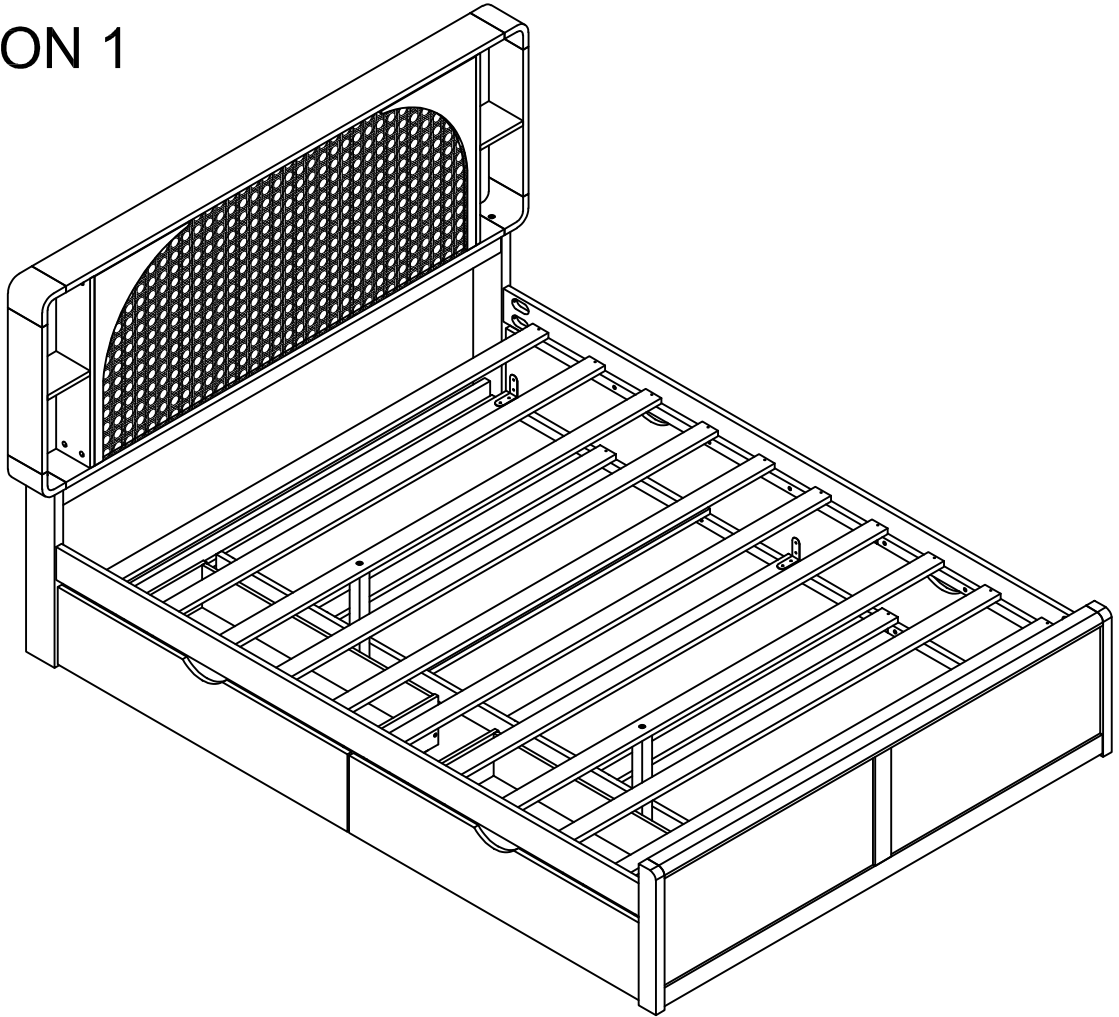


ASSEMBLY INSTRUCTION

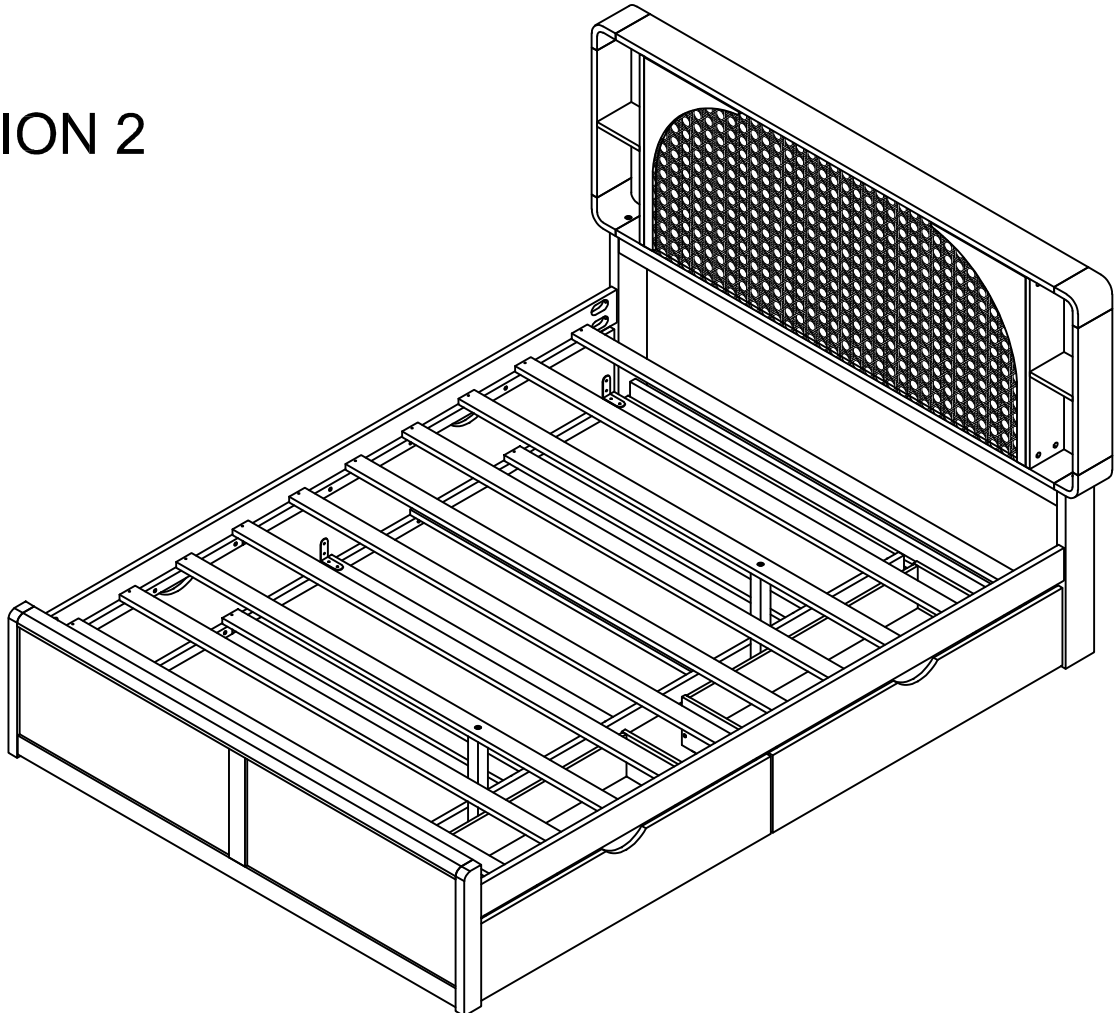
INSTRUCTIONS DE MONTAGE



OPTION 1

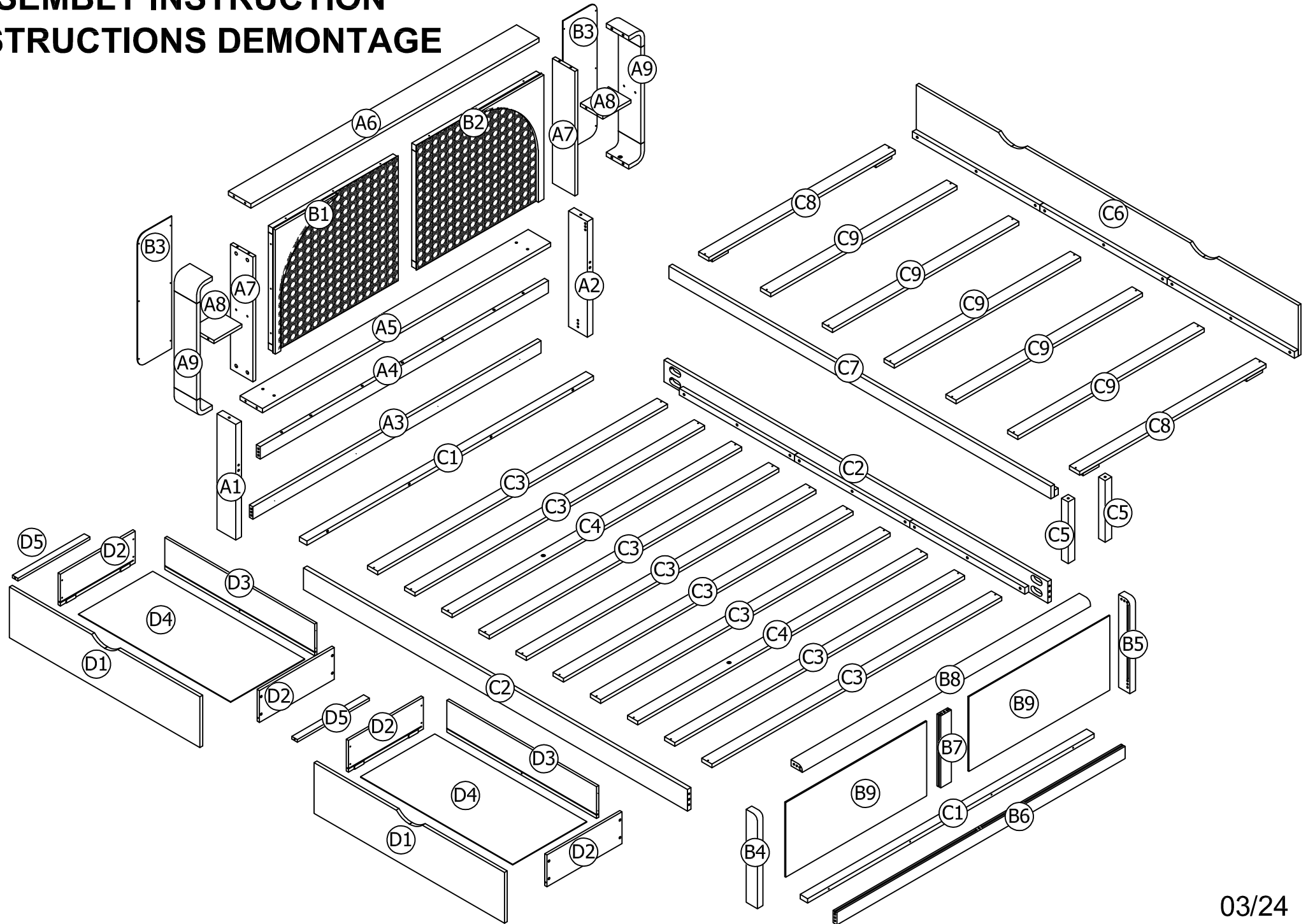


OPTION 2





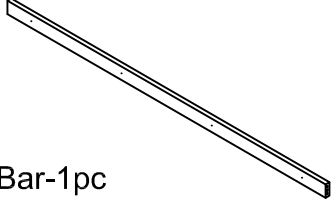
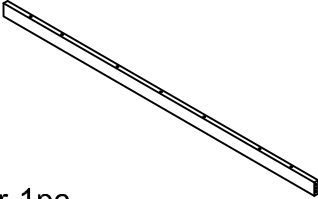
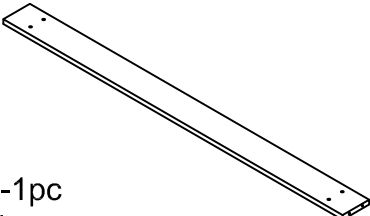
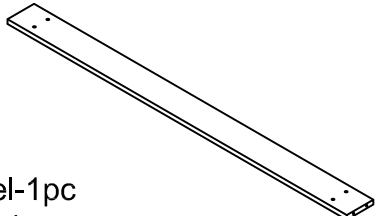

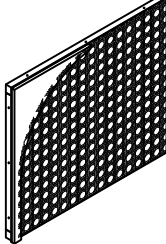
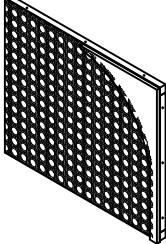



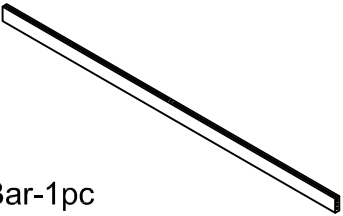

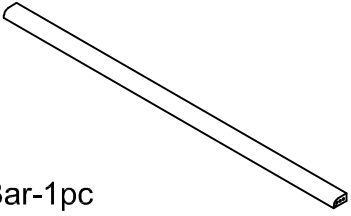
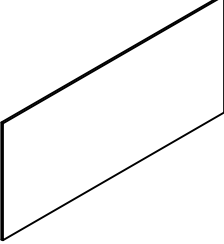
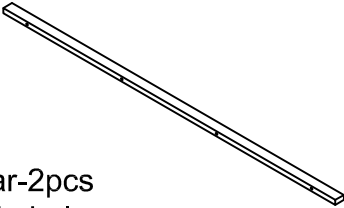
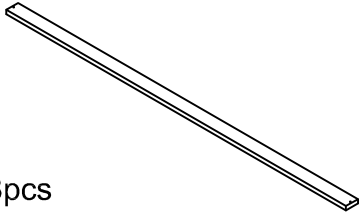
ASSEMBLY INSTRUCTION

INSTRUCTIONS DEMONTAGE



Part List

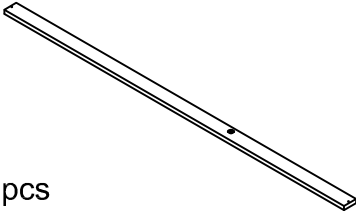
Liste des pieces

A1  Leg-1pc Jambe	A2  Leg-1pc Jambe	A3  WoodBar-1pc Barres de bois
A4  WoodBar-1pc Barres de bois	A5  Panel-1pc Planche	A6  Panel-1pc Planche
A7  Panel-2pcs Planche	B1  Panel-1pc Planche	B2  Panel-1pc Planche
B3  Panel-2pcs Planche	B4  Leg-1pc Jambe	B5  Leg-1pc Jambe
B6  WoodBar-1pc Barres de bois	B7  WoodBar-1pc Barres de bois	B8  WoodBar-1pc Barres de bois
B9  Panel-2pcs Planche	C1  WoodBar-2pcs Barres de bois	C3  Slats-8pcs Lattes

Part List

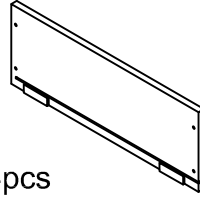
Liste des pièces

C4



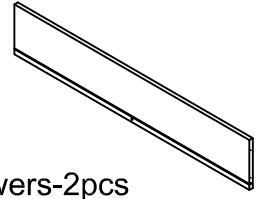
Slats-2pcs
Lattes

D2



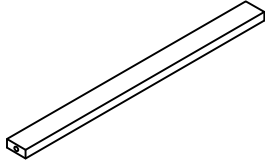
Side Drawers-4pcs
Tiroirs Latéraux

D3



Back Drawers-2pcs
Tiroirs Arrière

D4

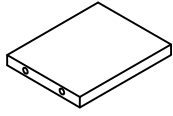


Support Drawers-2pcs
Tiroirs de Soutien

Part List & Hardware List

Liste des pièces et liste du matériel

A8



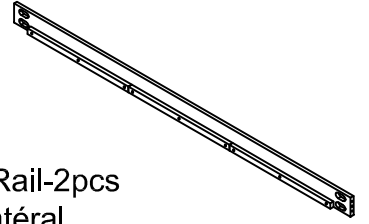
Panel-2pcs
Planche

A9



Panel-2pcs
Planche

C2



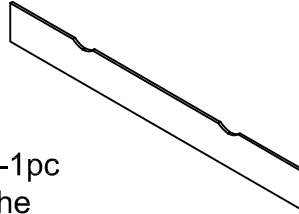
Side Rail-2pcs
Rail latéral

C5



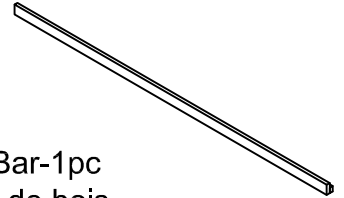
WoodBar-2pcs
Barres de bois

C6



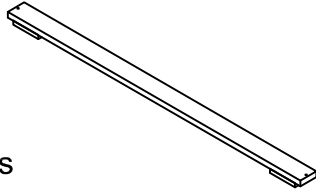
Panel-1pc
Planche

C7



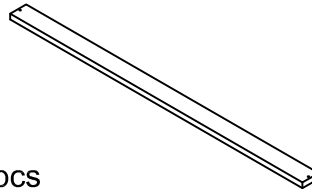
WoodBar-1pc
Barres de bois

C8



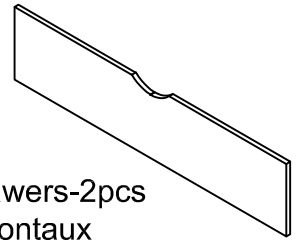
Slats-2pcs
Lattes

C9



Slats-5pcs
Lattes


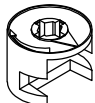
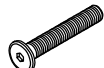
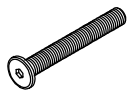
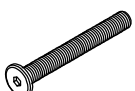

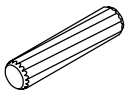

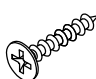
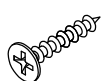
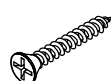
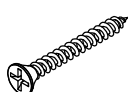
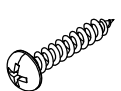
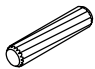
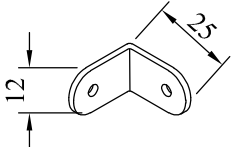
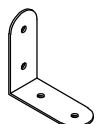
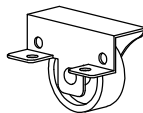
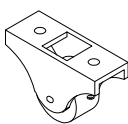
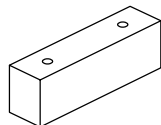

D1

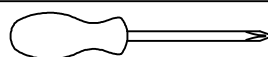


Front Drawers-2pcs
Tiroirs Frontaux

Hardware List

Liste du matériel

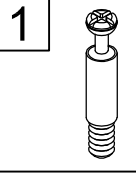
<p>1</p>  <p>Cam bolt 16pcs Boulon à came</p>	<p>2</p>  <p>Cam lock Ø15 x 9.5 mm- 16pcs Serrure à came</p>	<p>3</p>  <p>Bolts Ø1/4" x 30 mm - 4pcs Boulon</p>
<p>4</p>  <p>Bolts Ø1/4" x 50 mm - 18pcs Boulon</p>	<p>5</p>  <p>Bolts Ø1/4" x 60 mm - 4pcs Boulon</p>	<p>6</p>  <p>Wood dowel Ø8 x 30 mm - 28pcs Cheville en bois</p>
<p>7</p>  <p>Wood dowel Ø10 x 40 mm - 7pcs Cheville en bois</p>	<p>8</p>  <p>Curved washer 18pcs Rondelle incurvée</p>	<p>9</p>  <p>Wood Screws M3.5 x 12mm-4pcs Les vis à bois</p>
<p>10</p>  <p>Wood Screws M3.5 x 15mm-52pcs Les vis à bois</p>	<p>11</p>  <p>Wood Screws M4 x 30mm - 76pcs Les vis à bois</p>	<p>12</p>  <p>Wood Screws M4 x 40mm - 8pcs Les vis à bois</p>
<p>13</p>  <p>Wood Screws M3 x 15mm-12pcs Les vis à bois</p>	<p>14</p>  <p>Wood dowel Ø6 x 30 mm - 2pcs Cheville en bois</p>	<p>15</p>  <p>Steel Bracket - 2pcs Support en acier</p>
<p>16</p>  <p>Steel Bracket - 3pcs Support en acier</p>	<p>17</p>  <p>Wheels -8pcs Roues</p>	<p>18</p>  <p>Wheels -4pcs Roues</p>
<p>19</p>  <p>WoodBar-3pcs Barres de bois</p>	<p>20</p>  <p>Allen Key - 1pc Clé Allen</p>	



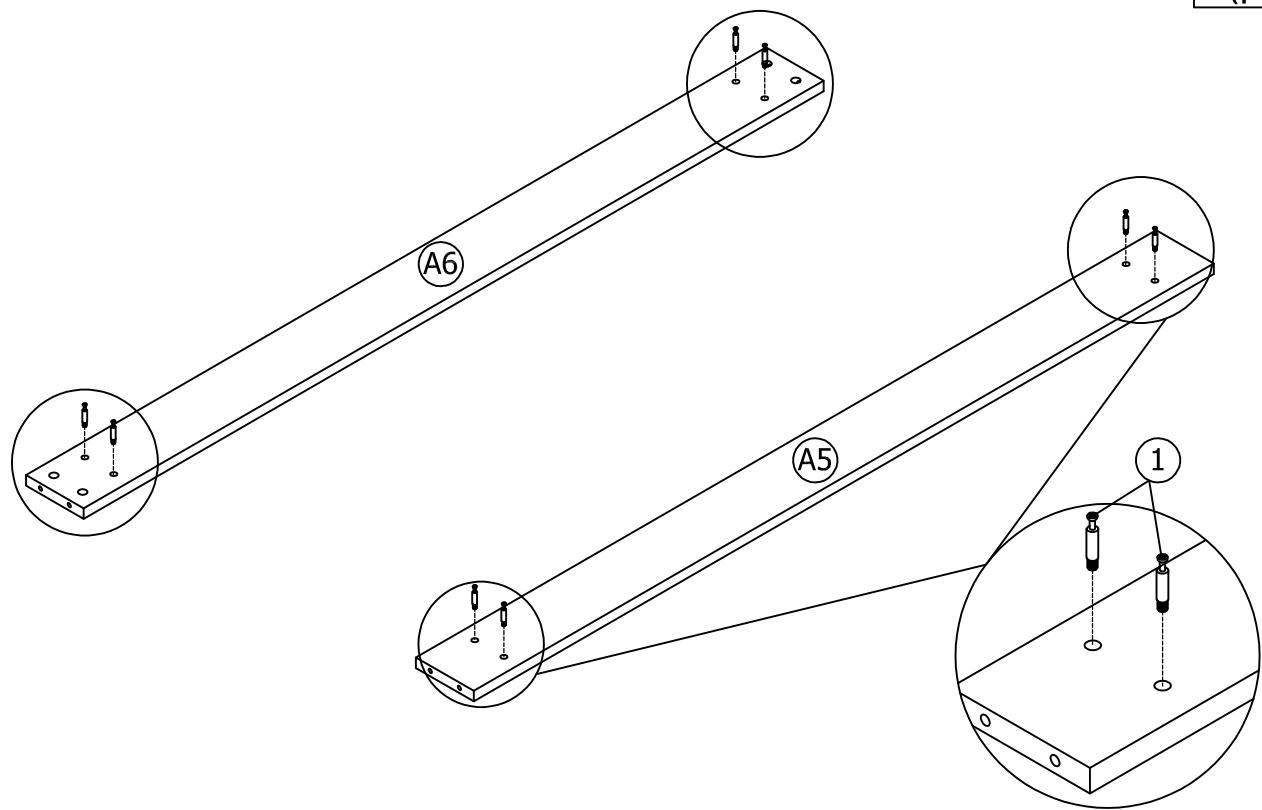
Assembly Tools Required (Not Included)
Outils d'assemblage requis (Non Inclus)

STEP 1:

Étape 1:

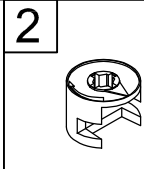


8(pcs)

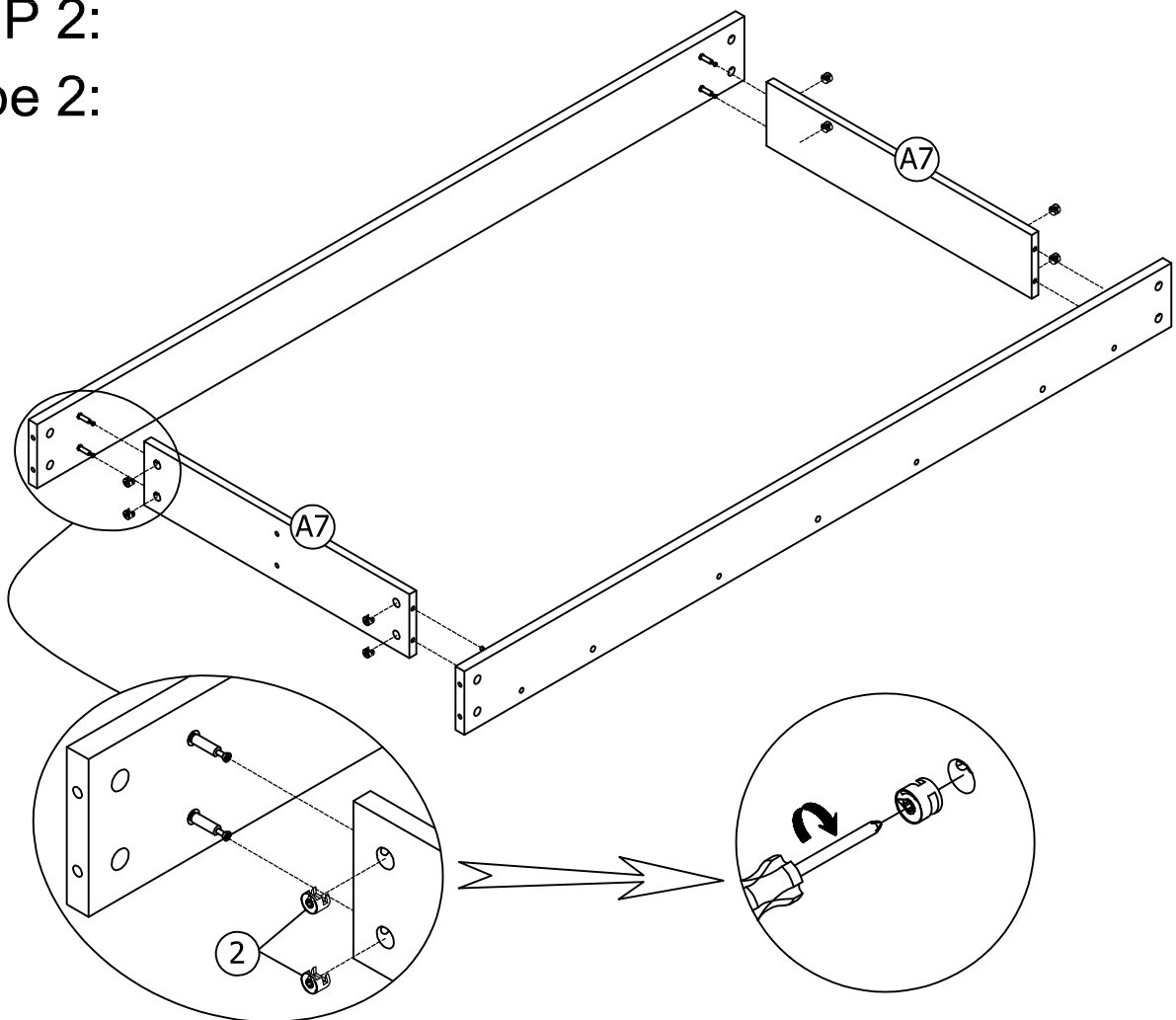


STEP 2:

Étape 2:

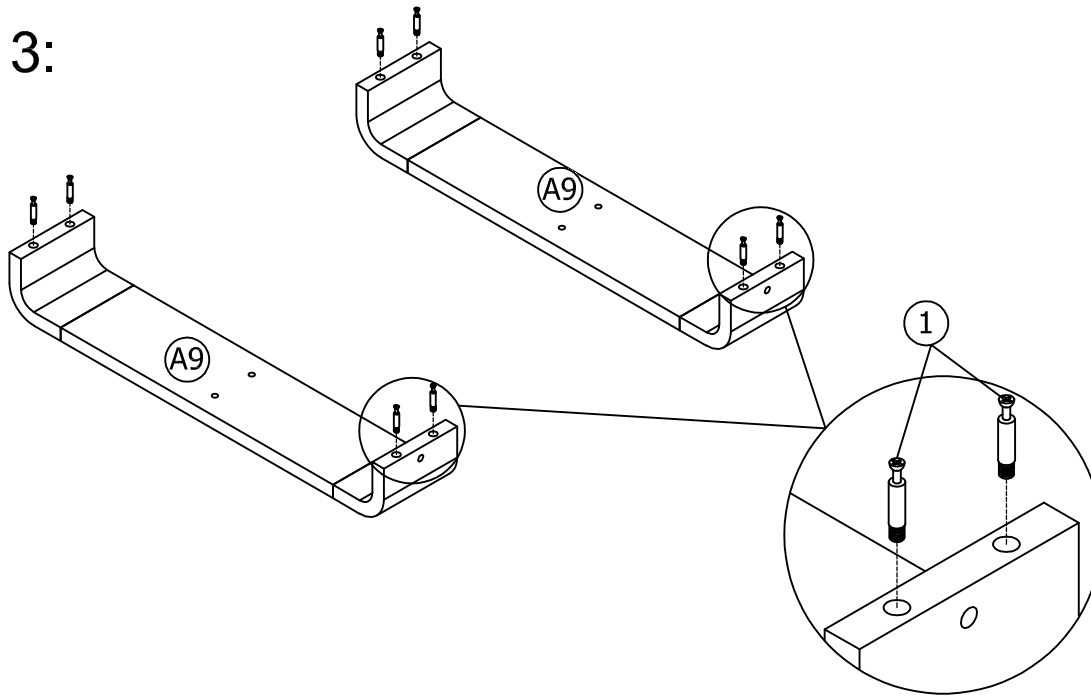



8(pcs)



STEP 3:

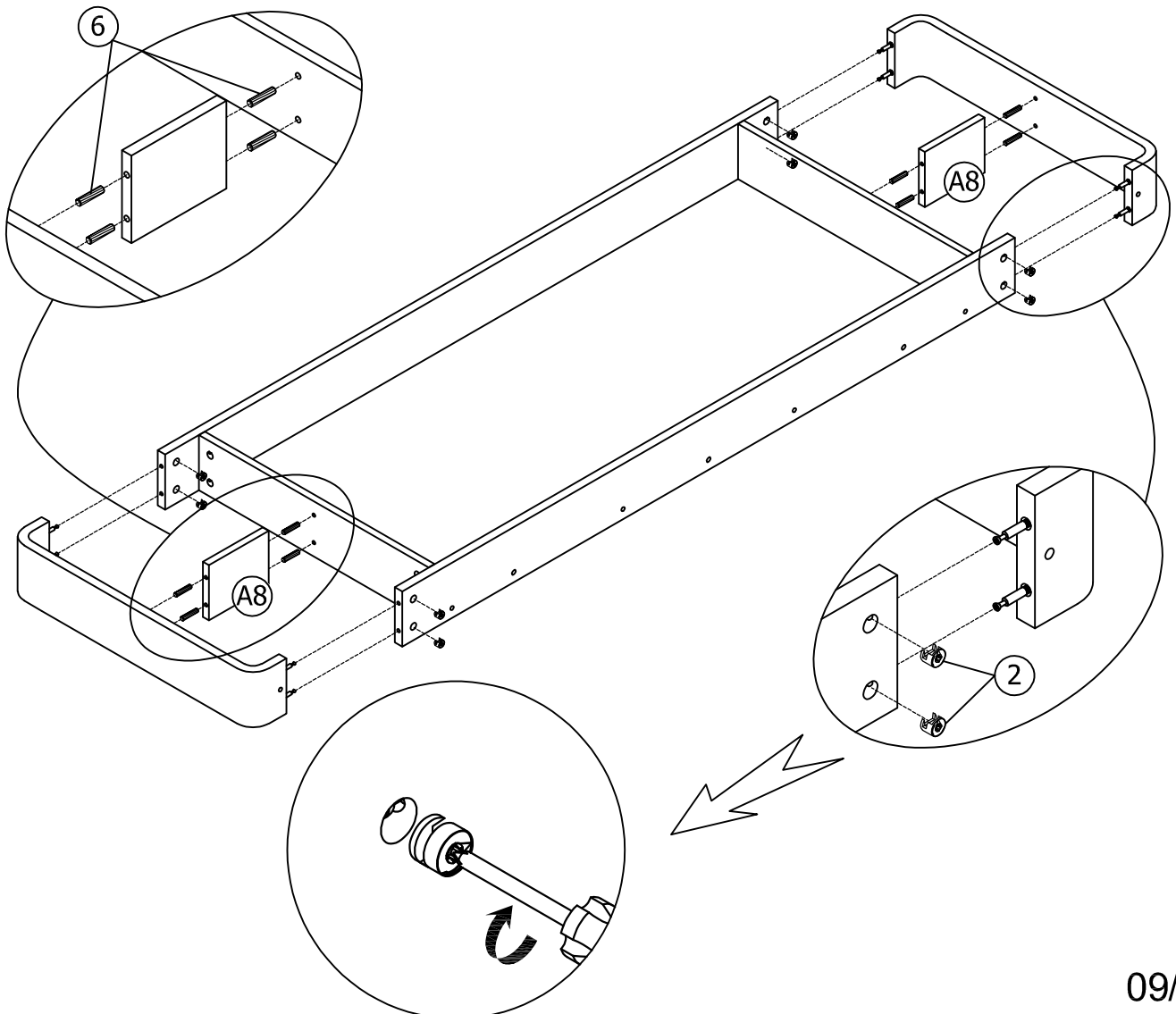
Étape 3:

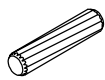
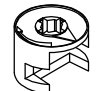


1	
8(pcs)	

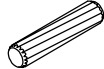


STEP 4:

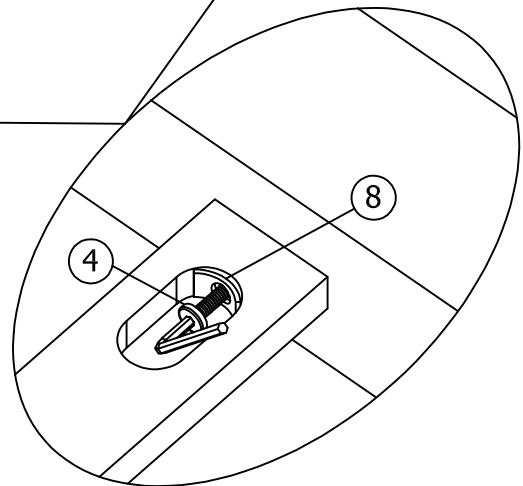
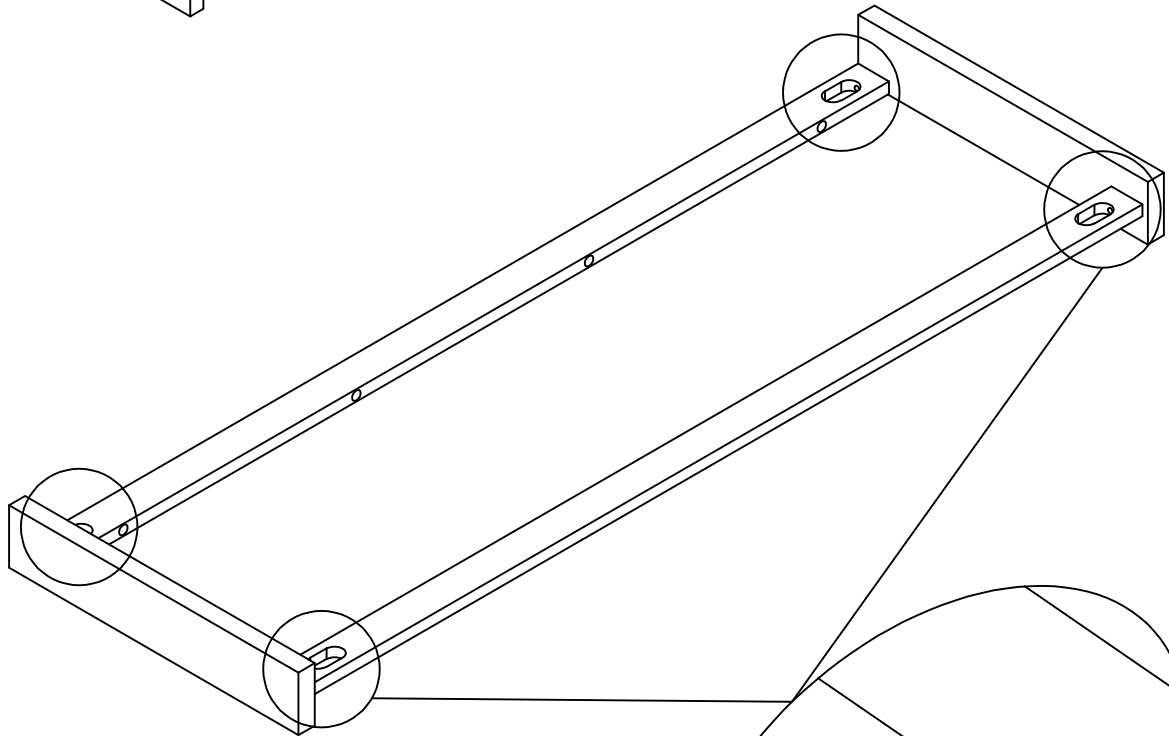
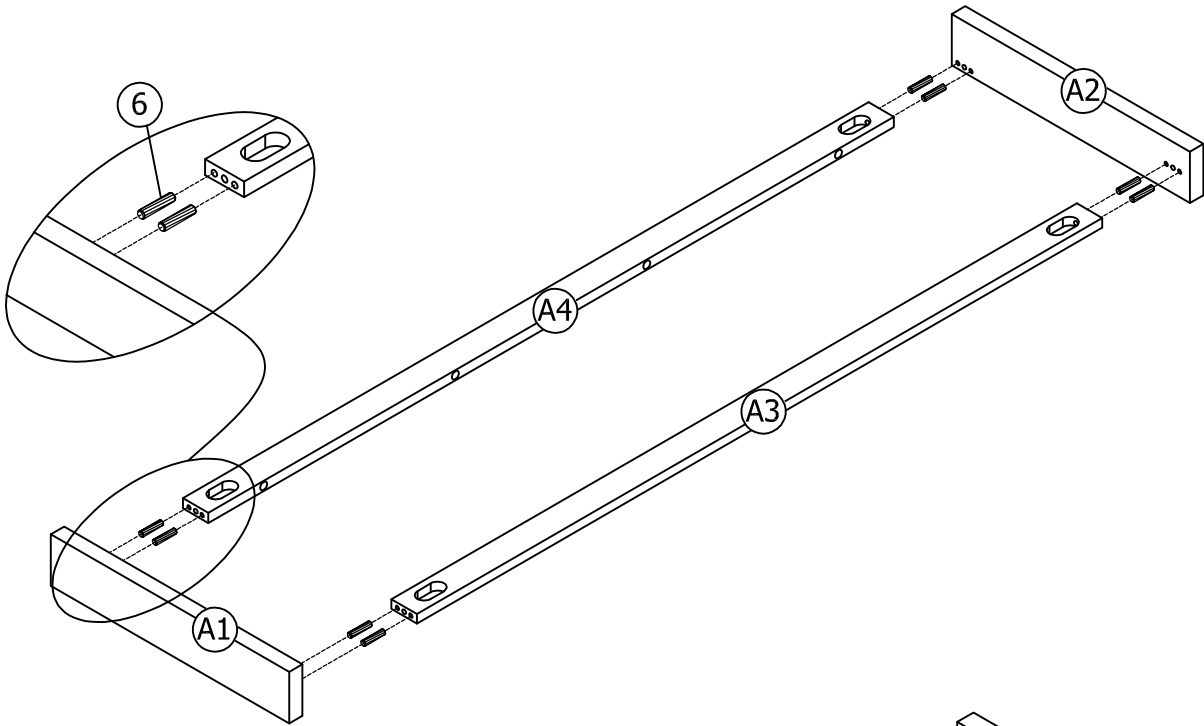
Étape 4:



6		2	
8(pcs)		8(pcs)	

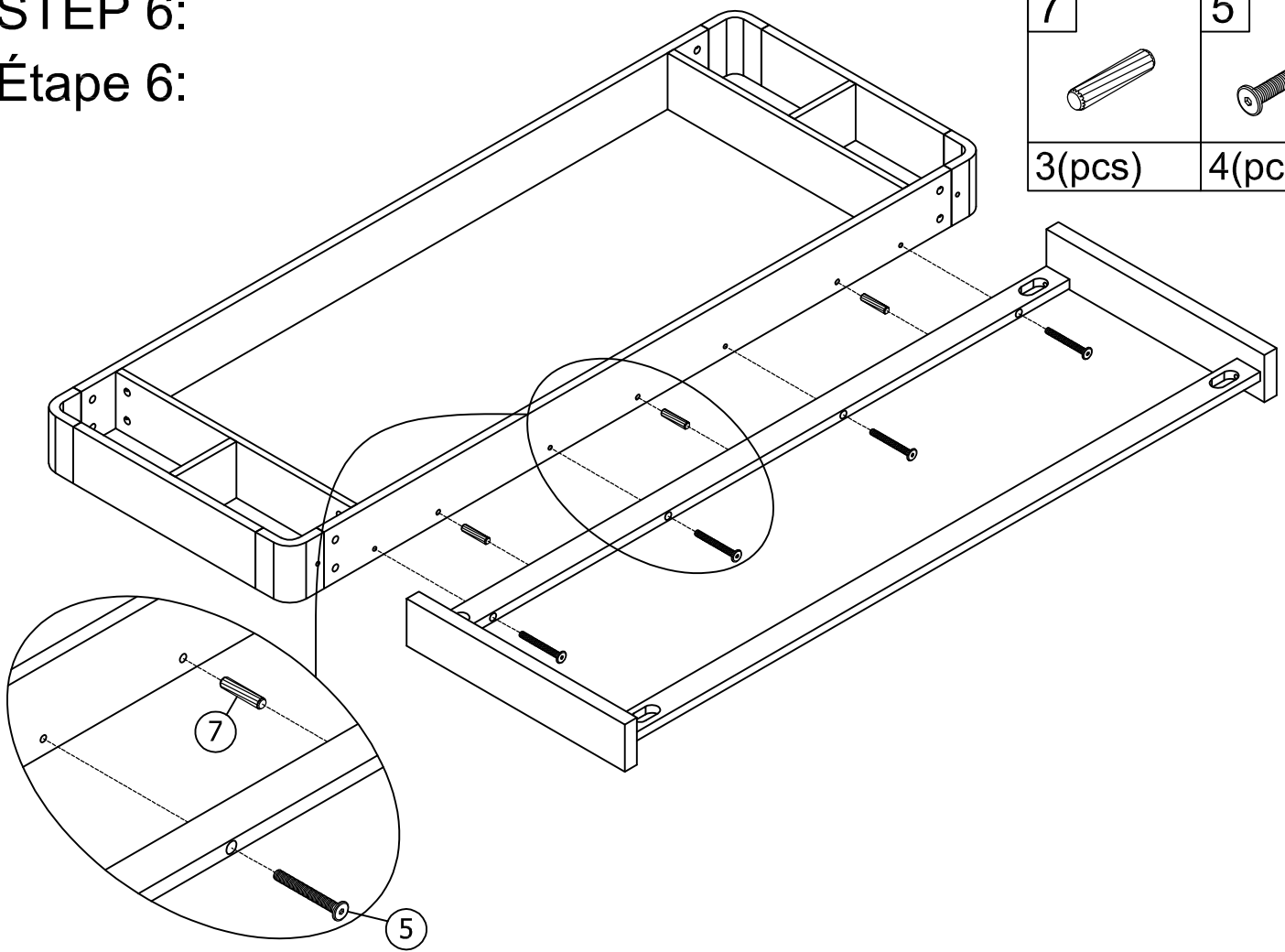
STEP 5:
Étape 5:

6		8		4	
8(pcs)		4(pcs)		4(pcs)	



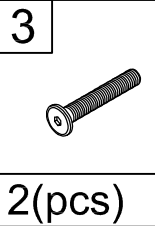
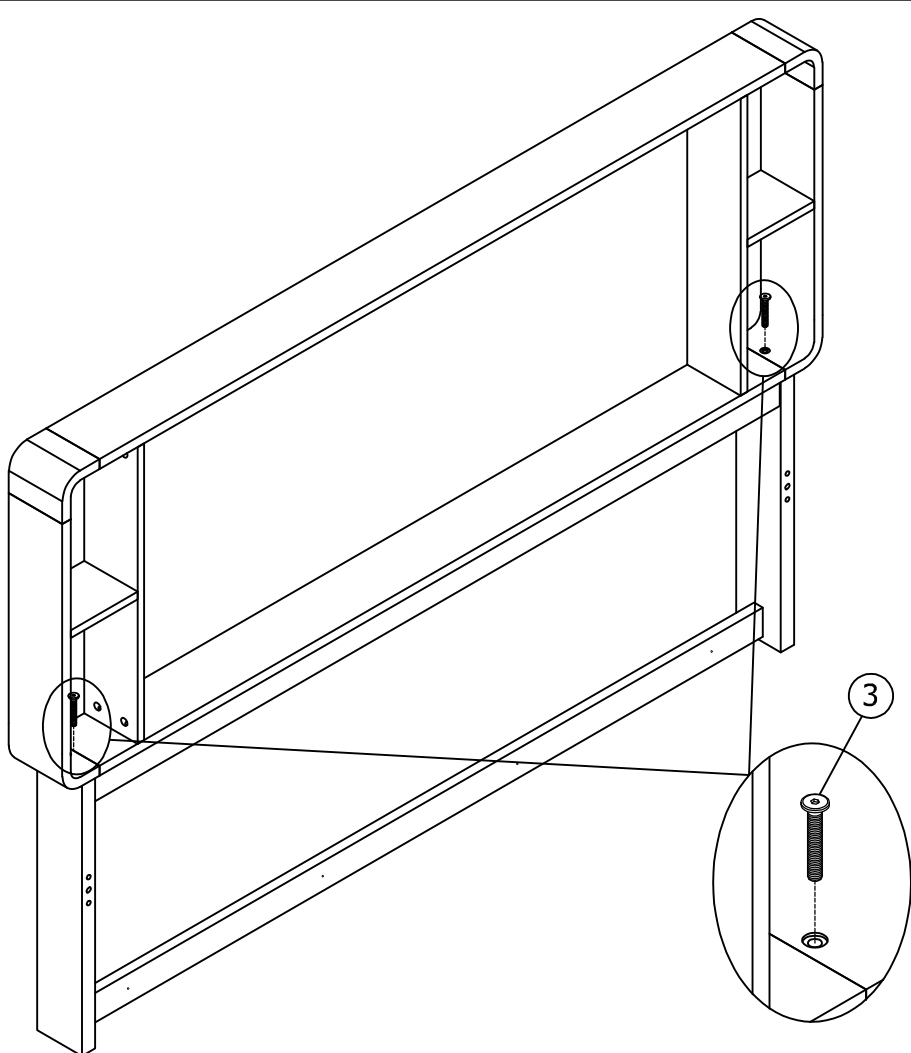
STEP 6:

Étape 6:



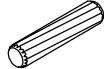

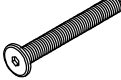
STEP 7:

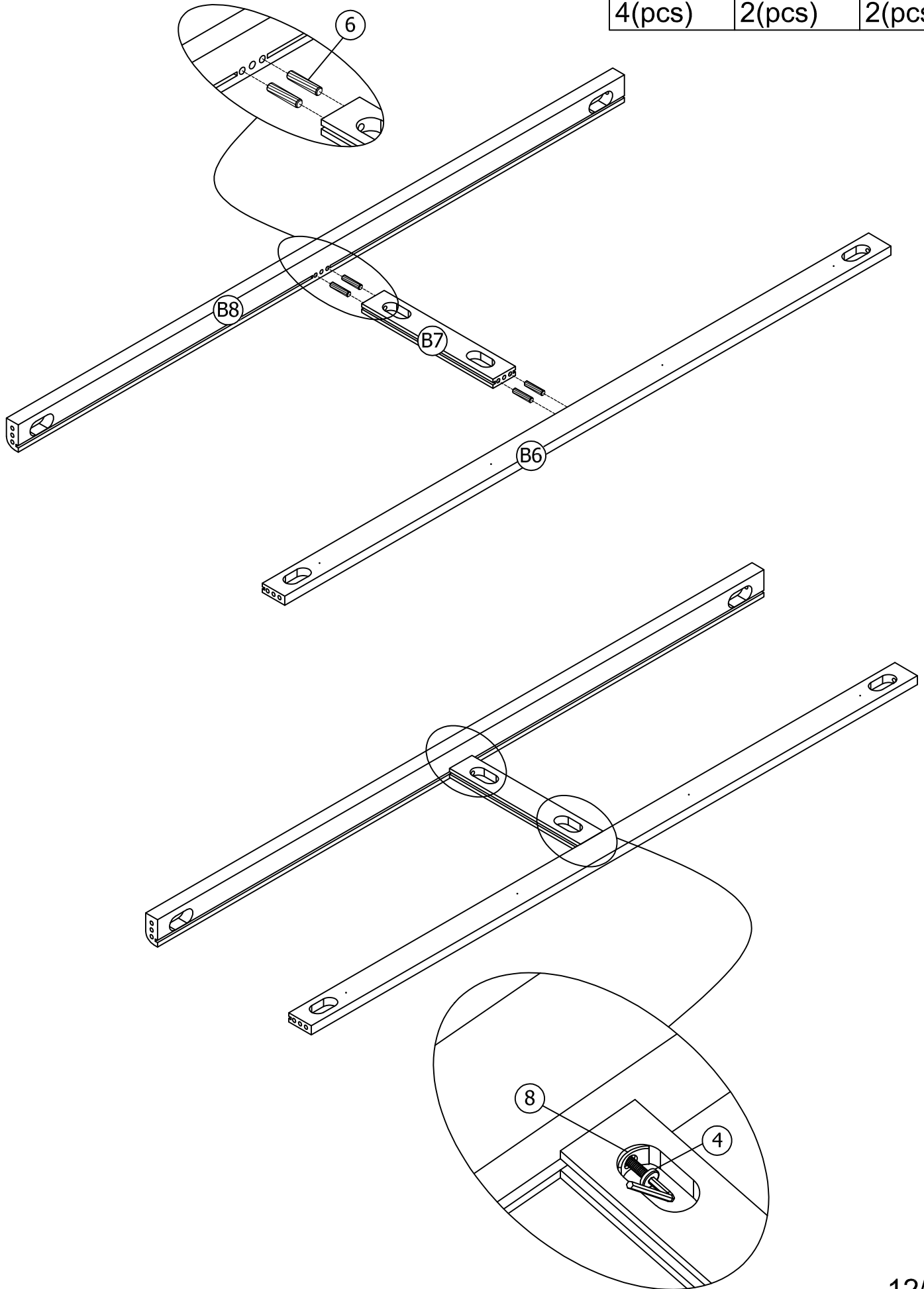
Étape 7:



STEP 8:

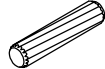

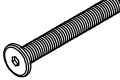
Étape 8:

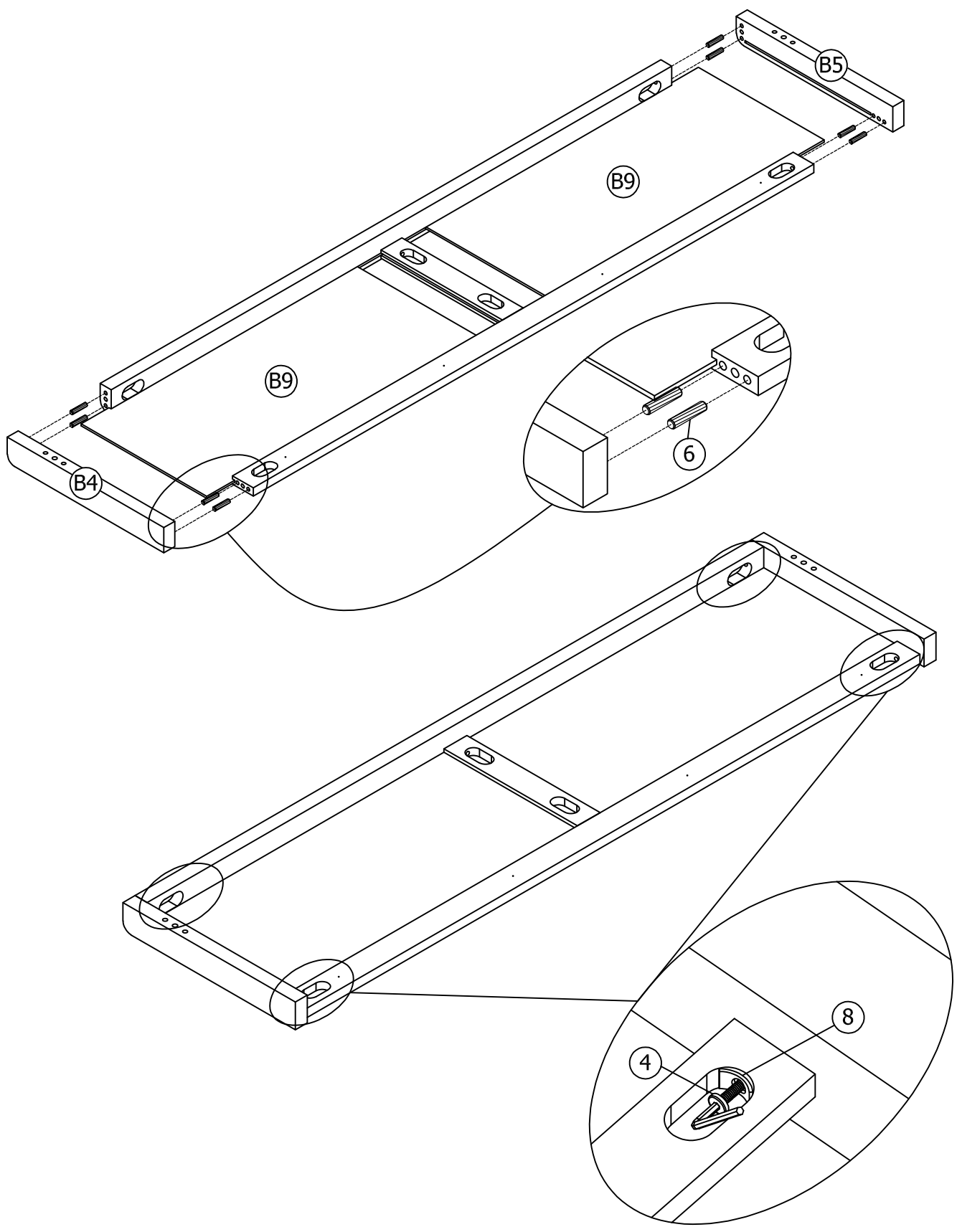
6	8	4
		
4(pcs)	2(pcs)	2(pcs)



STEP 9:

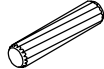

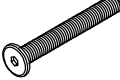
Étape 9:

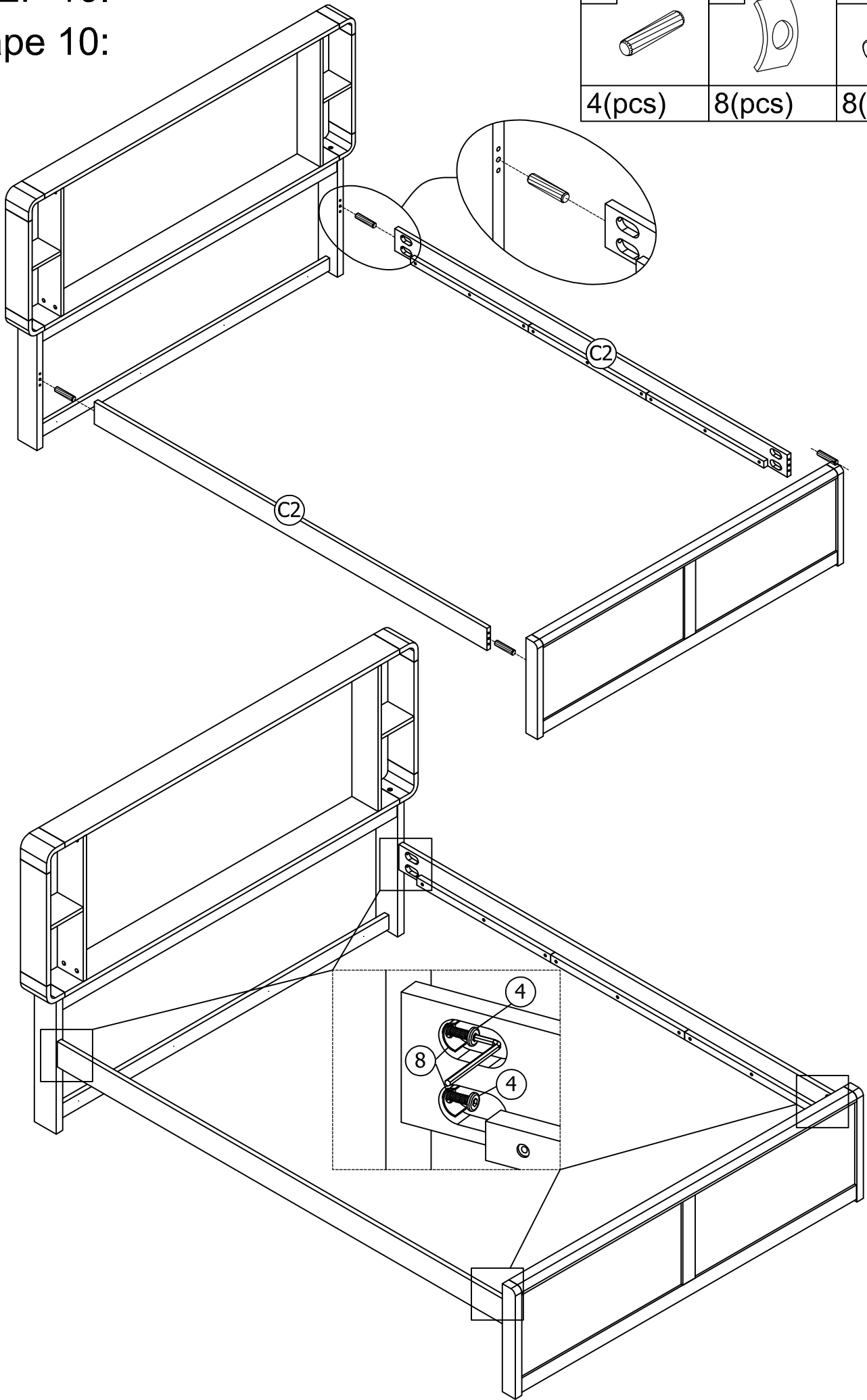
6	8	4
		
8(pcs)	4(pcs)	4(pcs)



STEP 10:

Étape 10:

7	8	4
		
4(pcs)	8(pcs)	8(pcs)



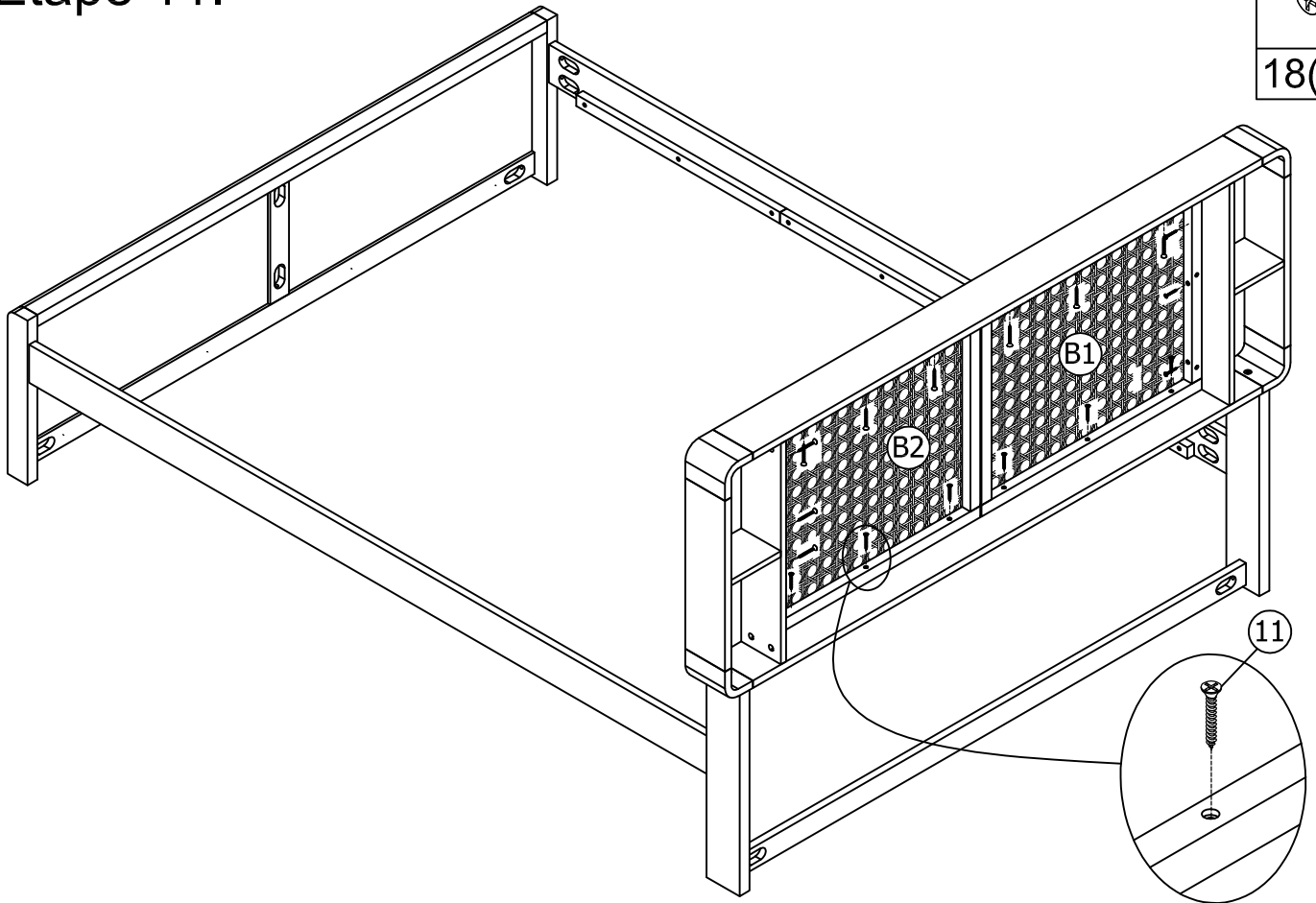
STEP 11:

Étape 11:

11



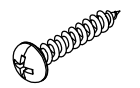
18(pcs)



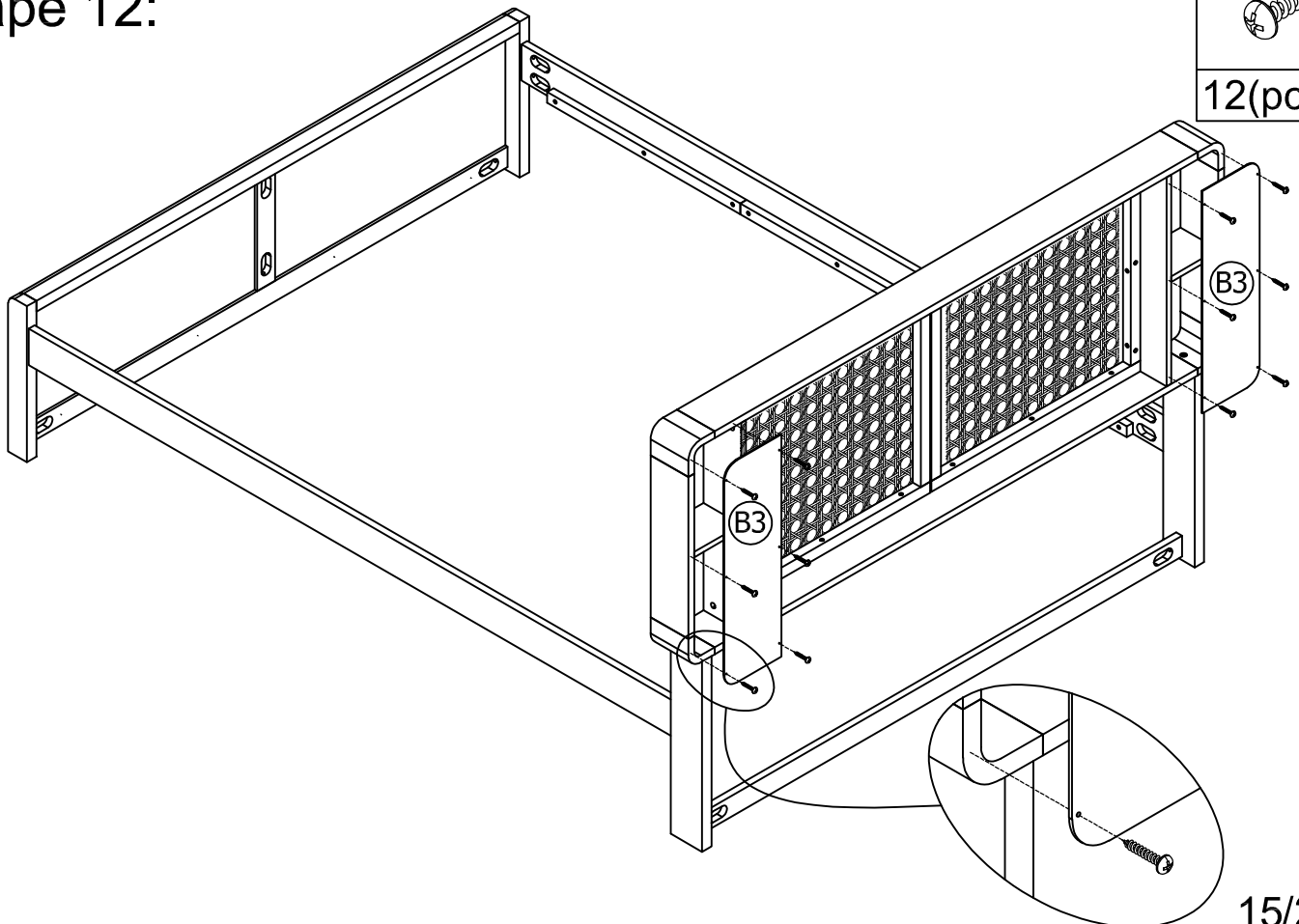
STEP 12:

Étape 12:

13



12(pcs)



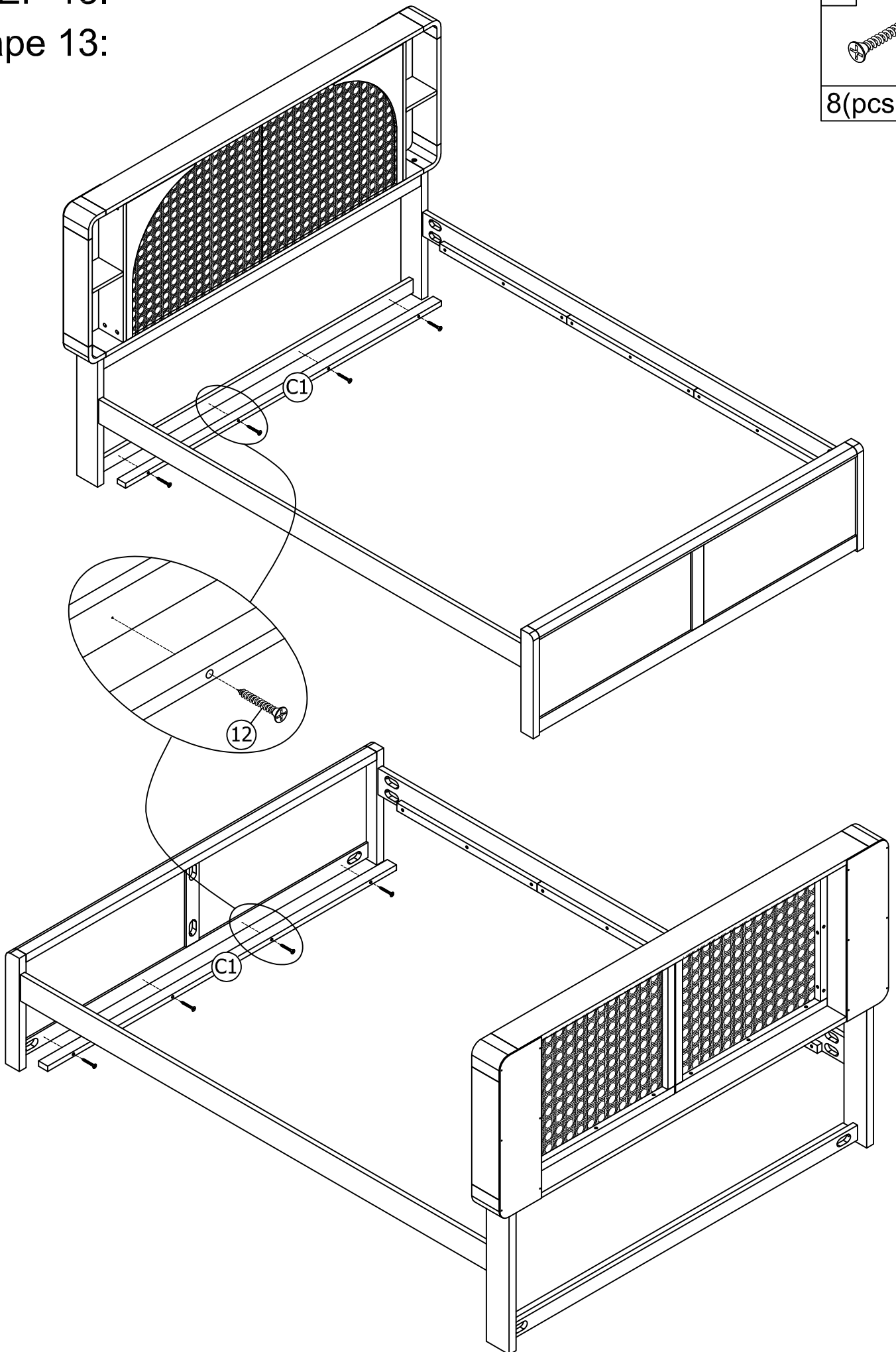
STEP 13:

Étape 13:

12



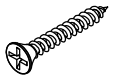
8(pcs)



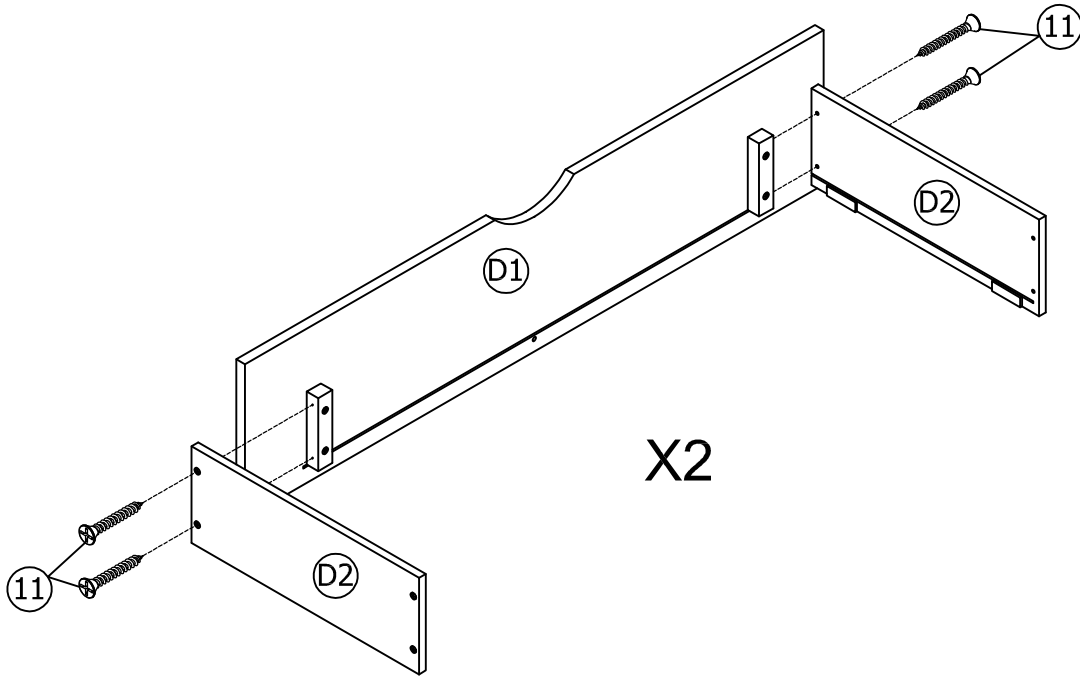
STEP 14:

Étape 14:

11



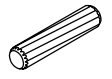
8(pcs)



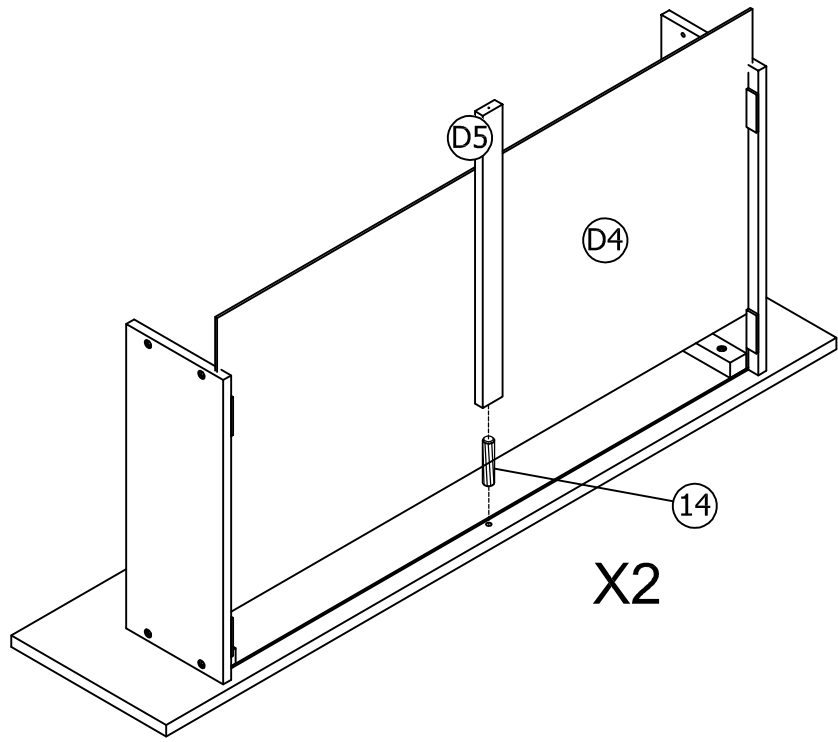
STEP 15:

Étape 15:

14

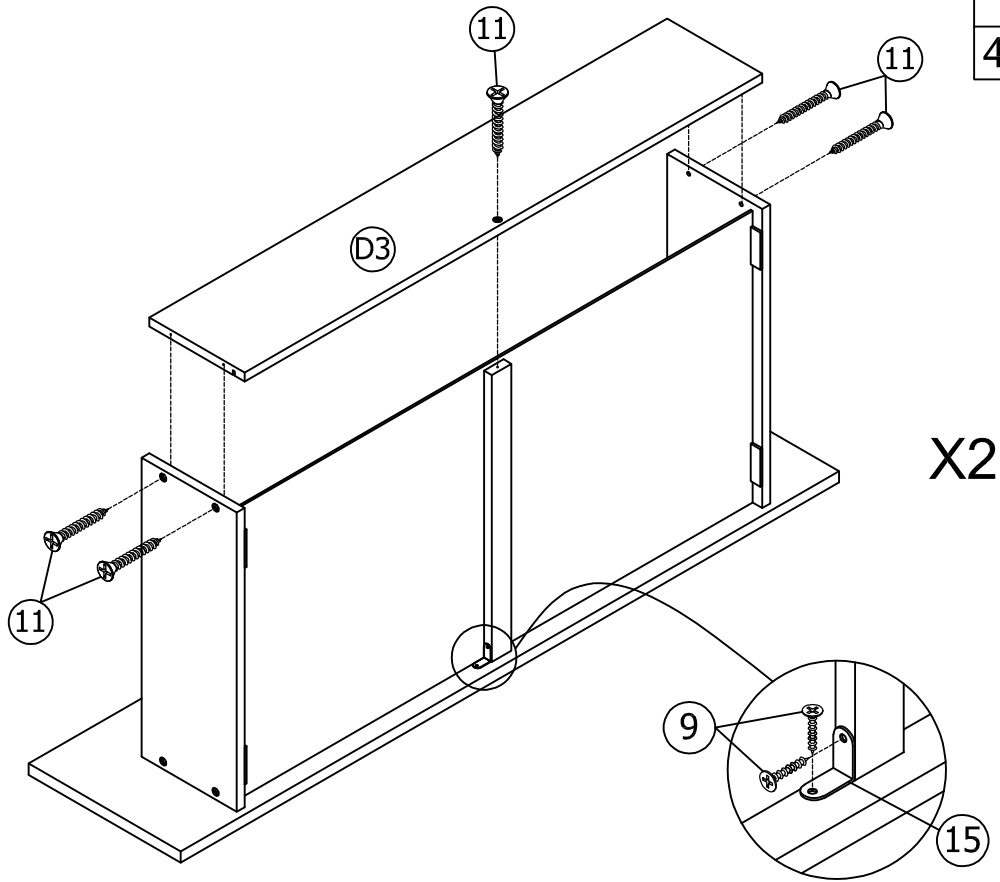


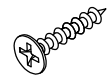
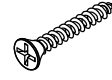
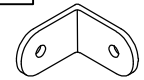
2(pcs)



STEP 16:

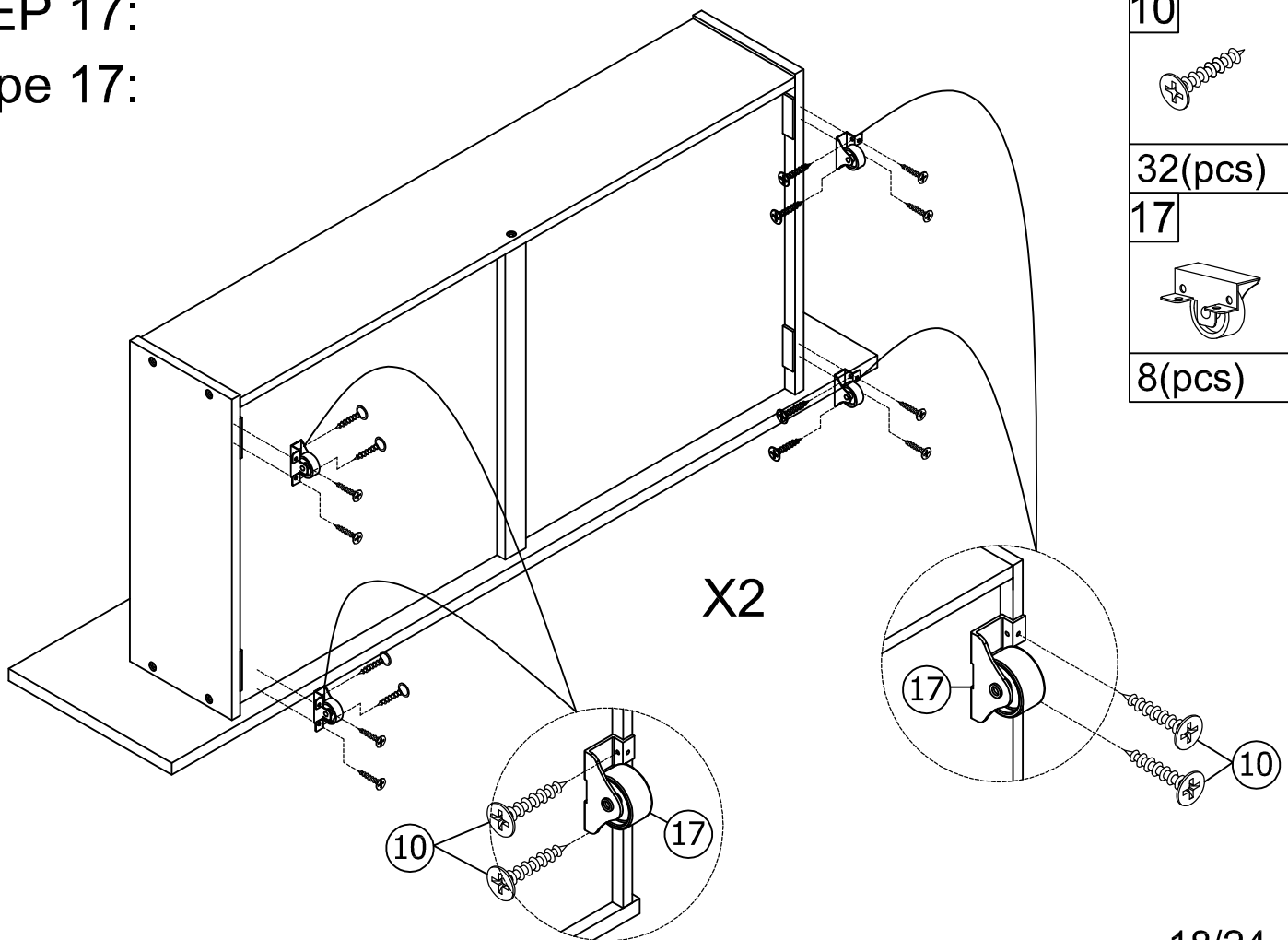
Étape 16:

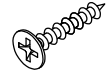
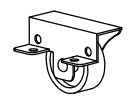


9	11
	
4(pcs)	10(pcs)
	15
	
	2(pcs)

STEP 17:

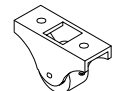
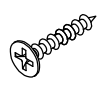
Étape 17:

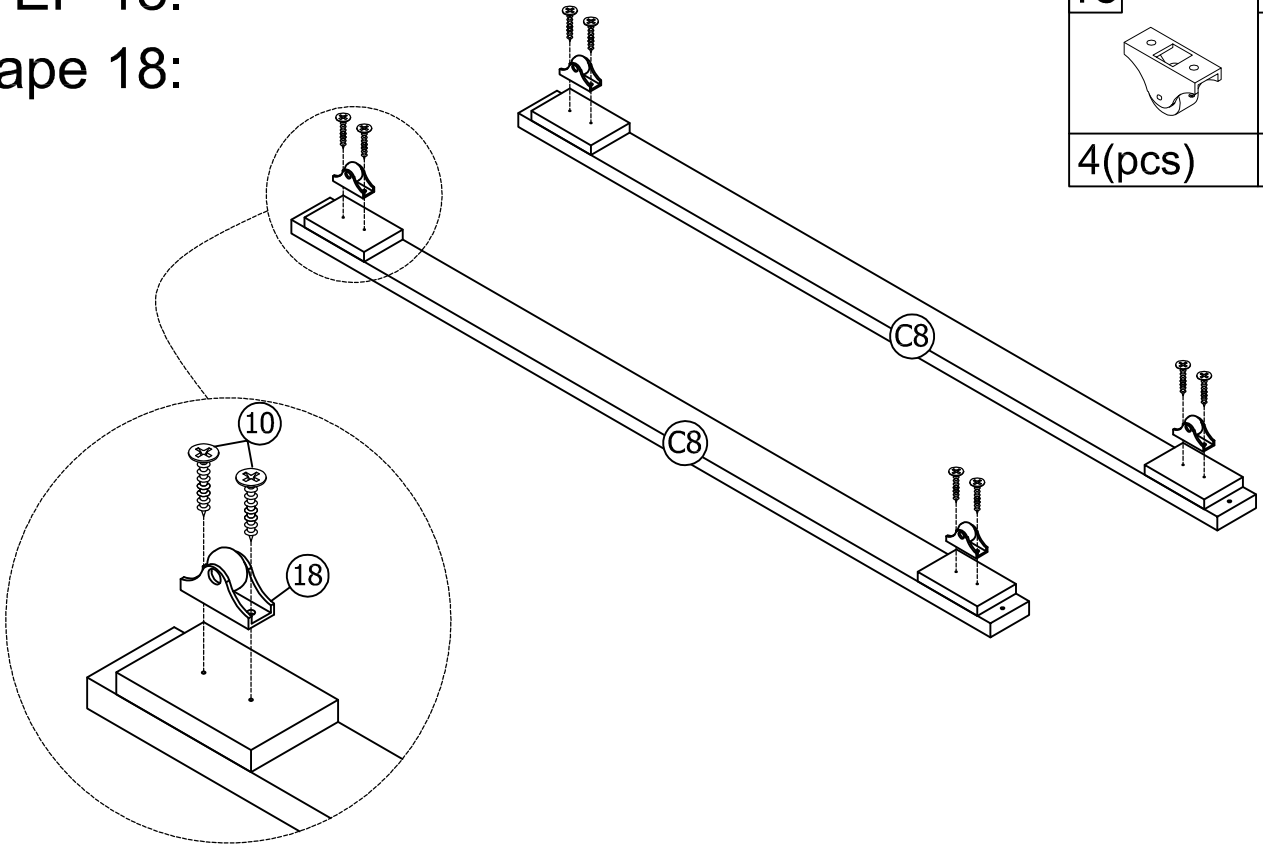


10

32(pcs)
17

8(pcs)

STEP 18:

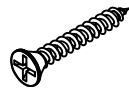
Étape 18:

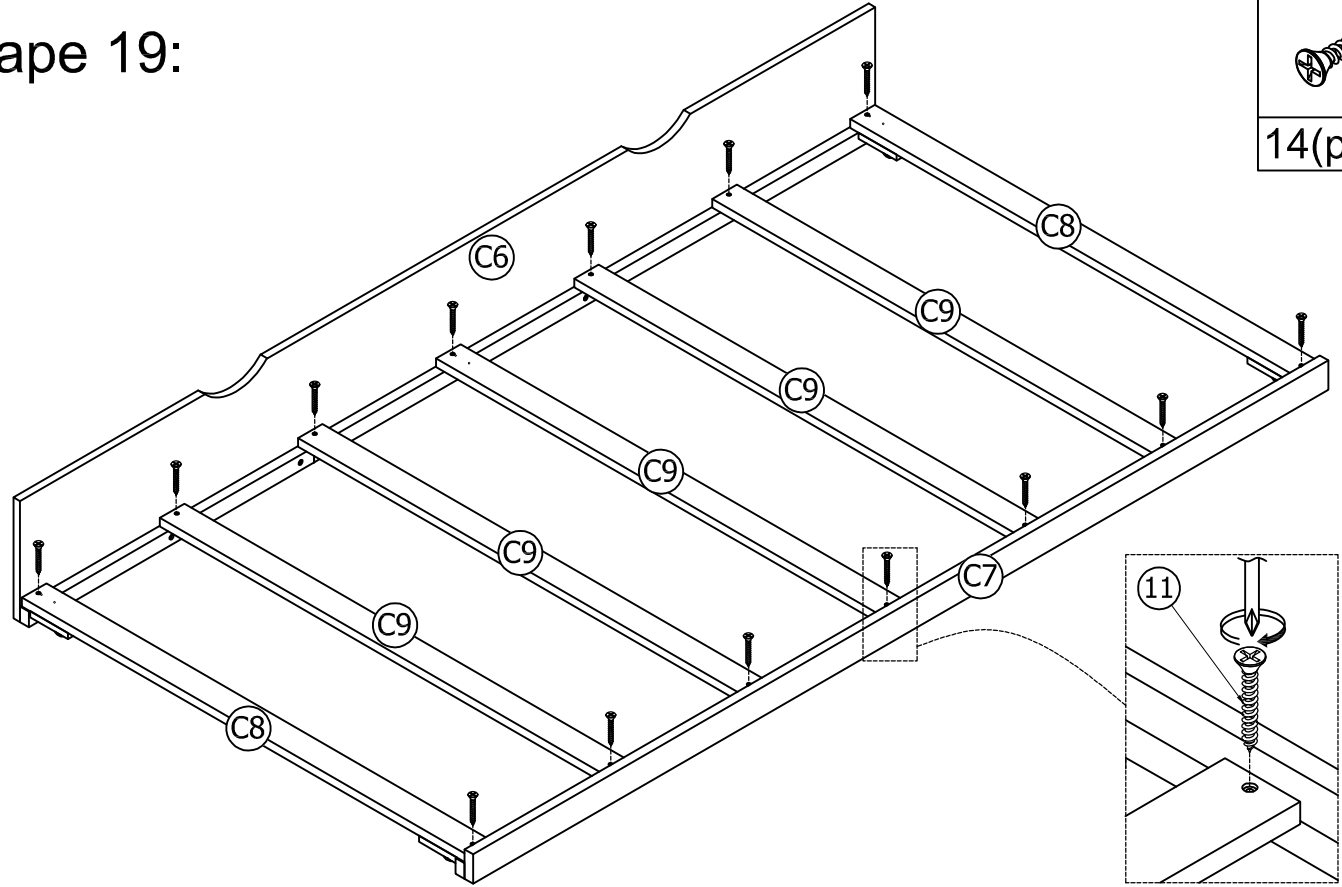
18	10
	
4(pcs)	8(pcs)



STEP 19:

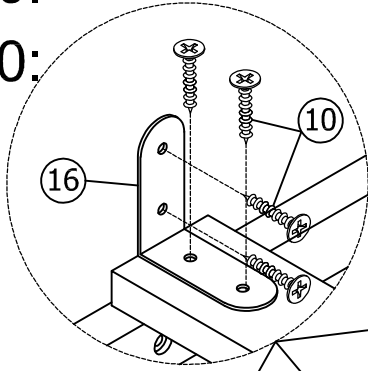
Étape 19:

11

14(pcs)

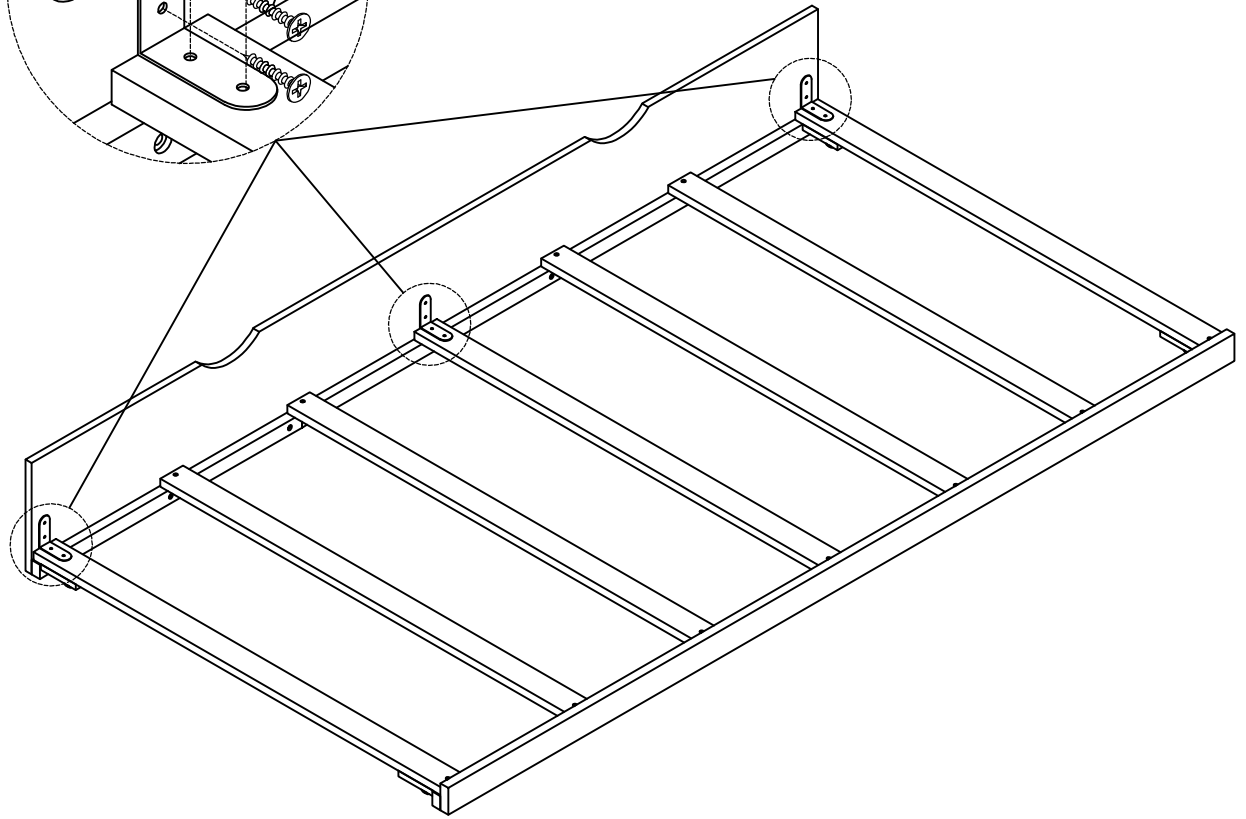


STEP 20:

Étape 20:



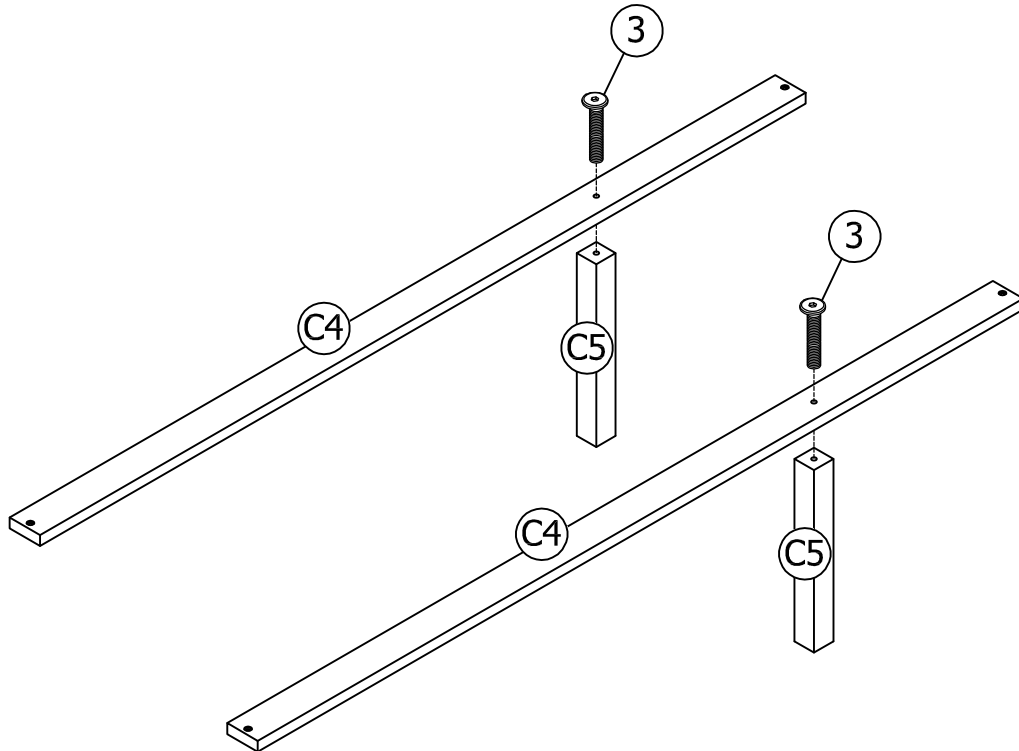
16	10
3(pcs)	12(pcs)



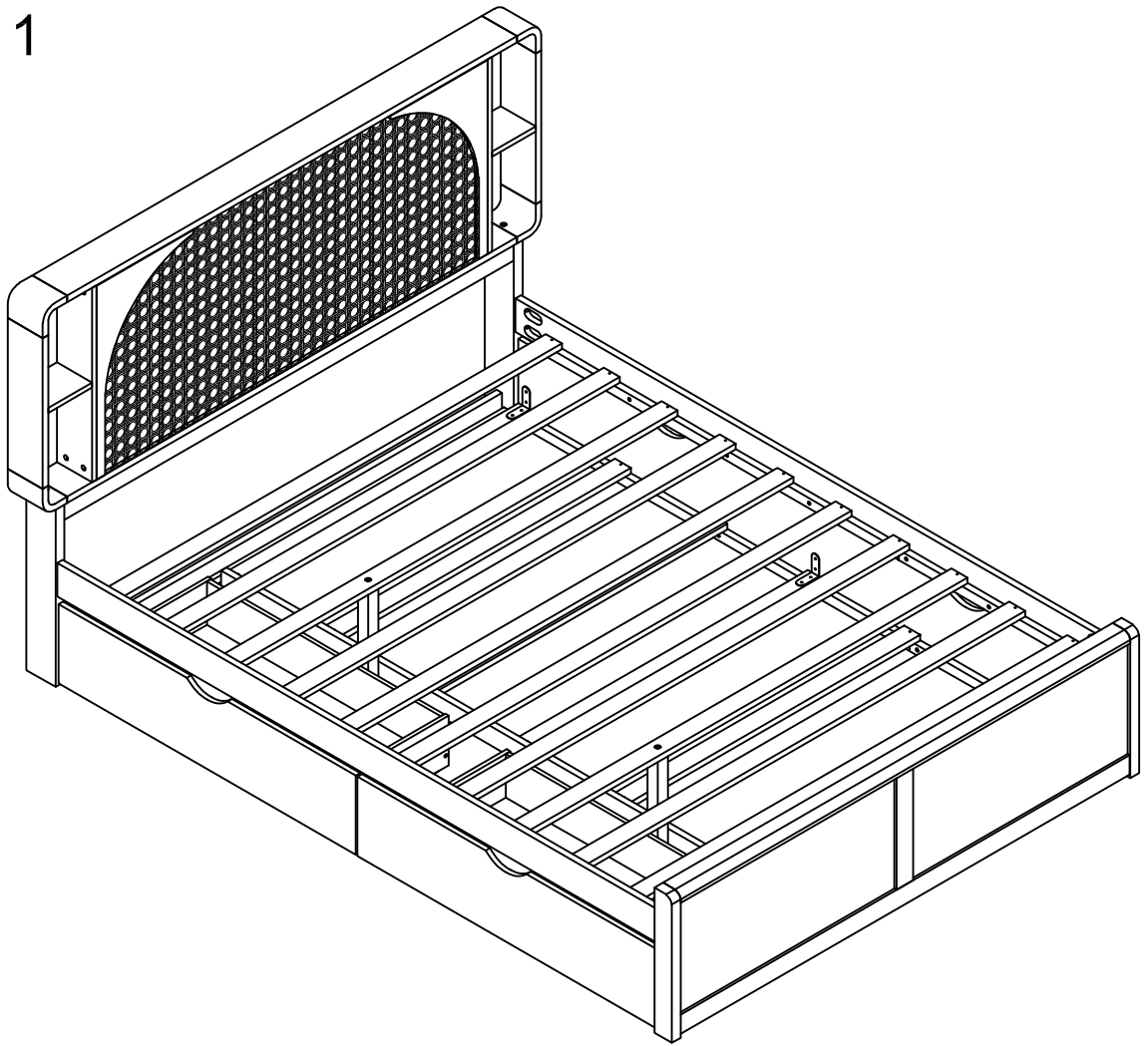
STEP 21:

Étape 21:

3
2(pcs)

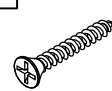
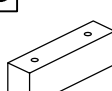


OPTION 1



STEP 22: Étape 22:

The diagram illustrates the final assembly step for the bed frame. It shows the slatted base being attached to the side rails. The following table lists the parts and their quantities:

11	
26(pcs)	
19	
3(pcs)	

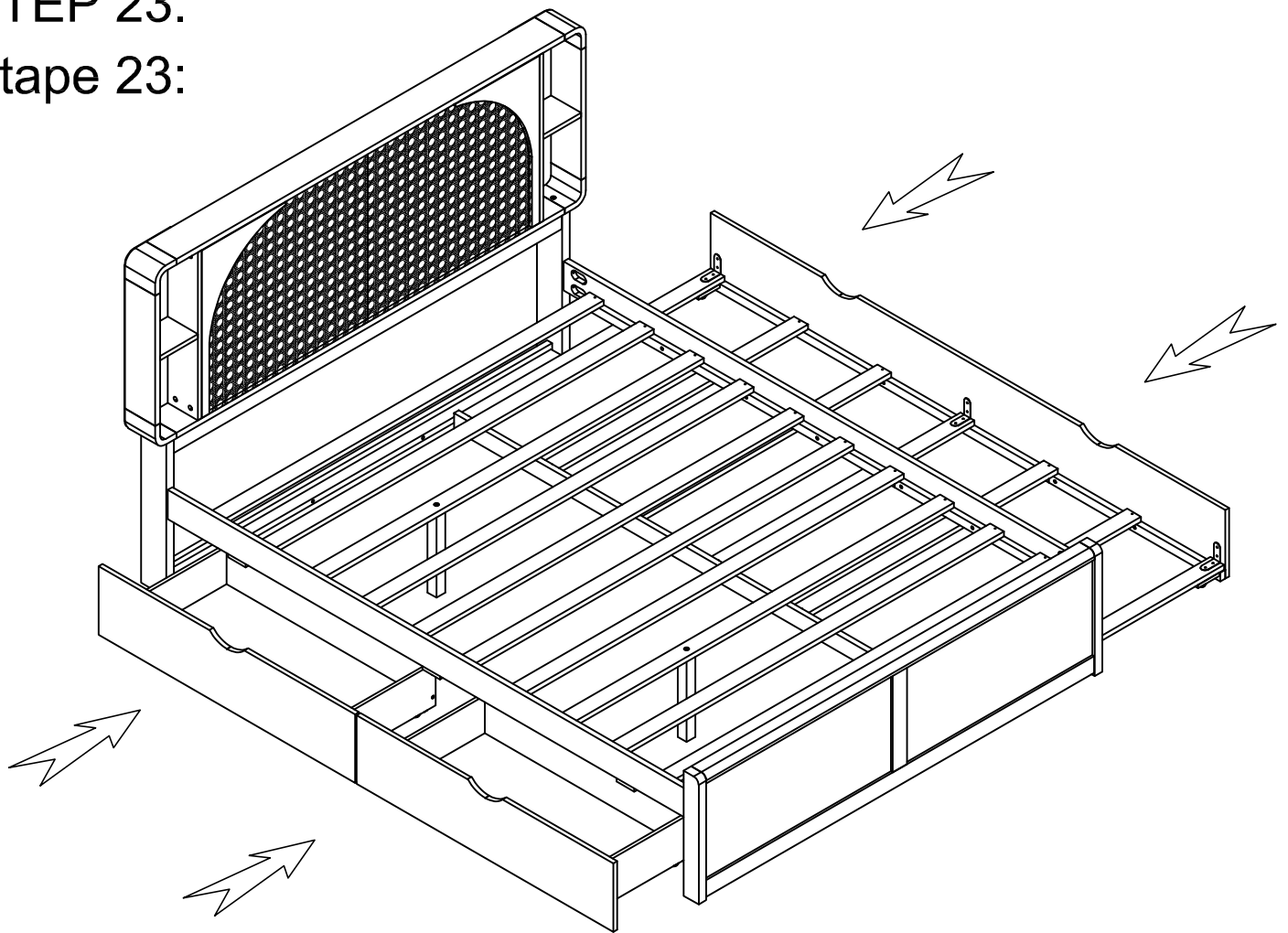
Dimensions for the bracket placement are shown as follows:

- 700 (total length of the base)
- 70 (distance from the end of the base to the center of the bracket)
- 220 (width of the bracket)

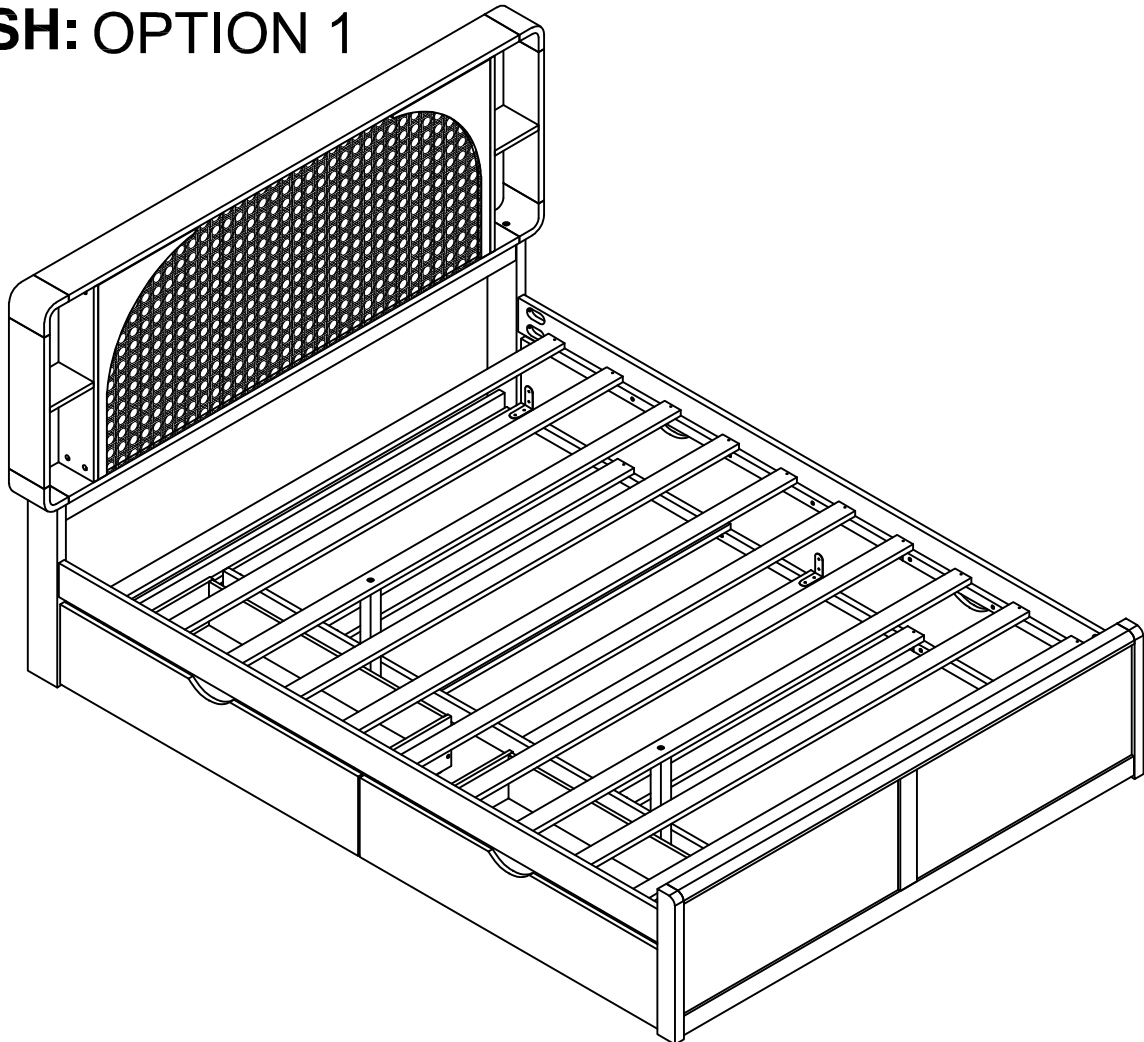
Labels C3 and C4 indicate the slats and crossbars being attached. An inset shows a screw (11) being inserted into a bracket (19) which is being secured to a slat (C3) and a crossbar (C4).

STEP 23:

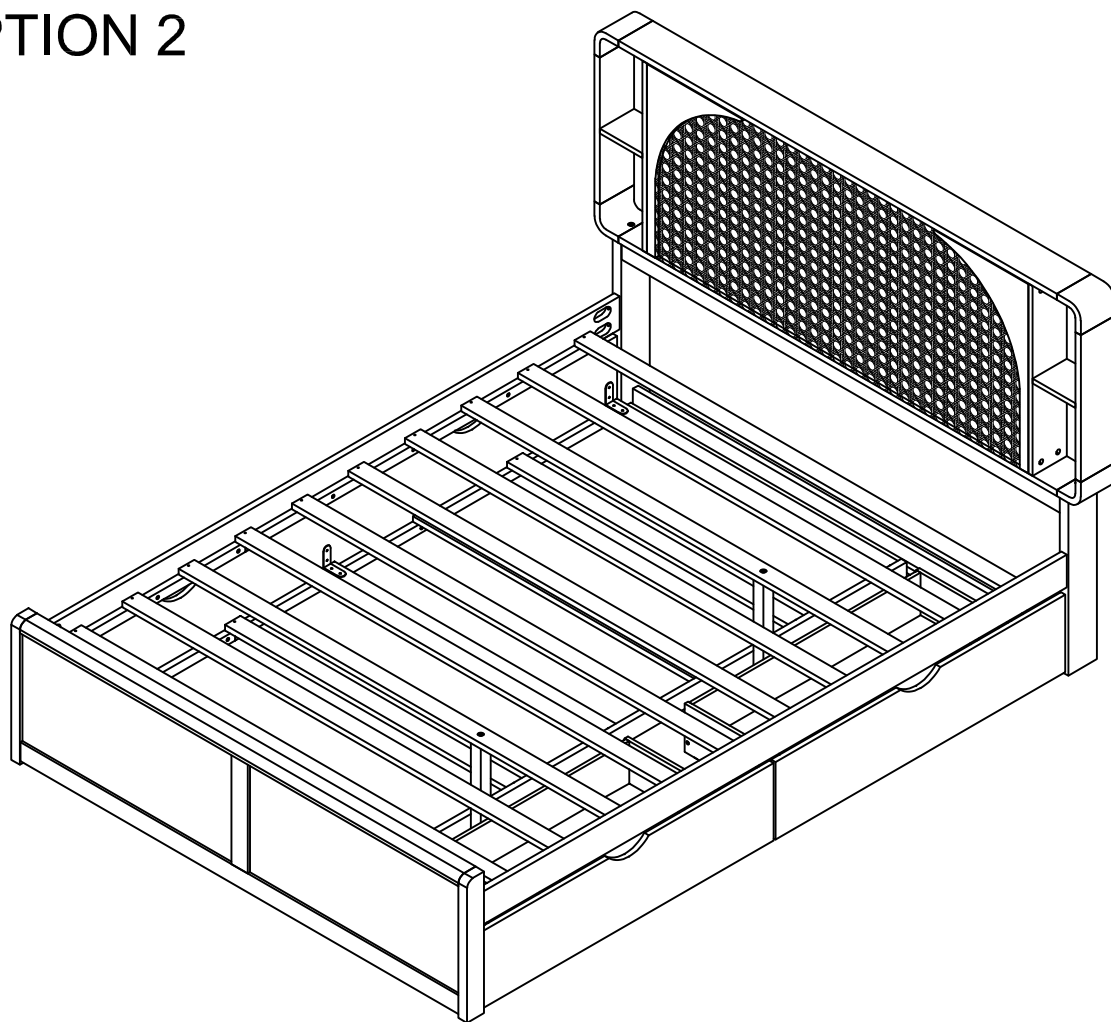
Étape 23:



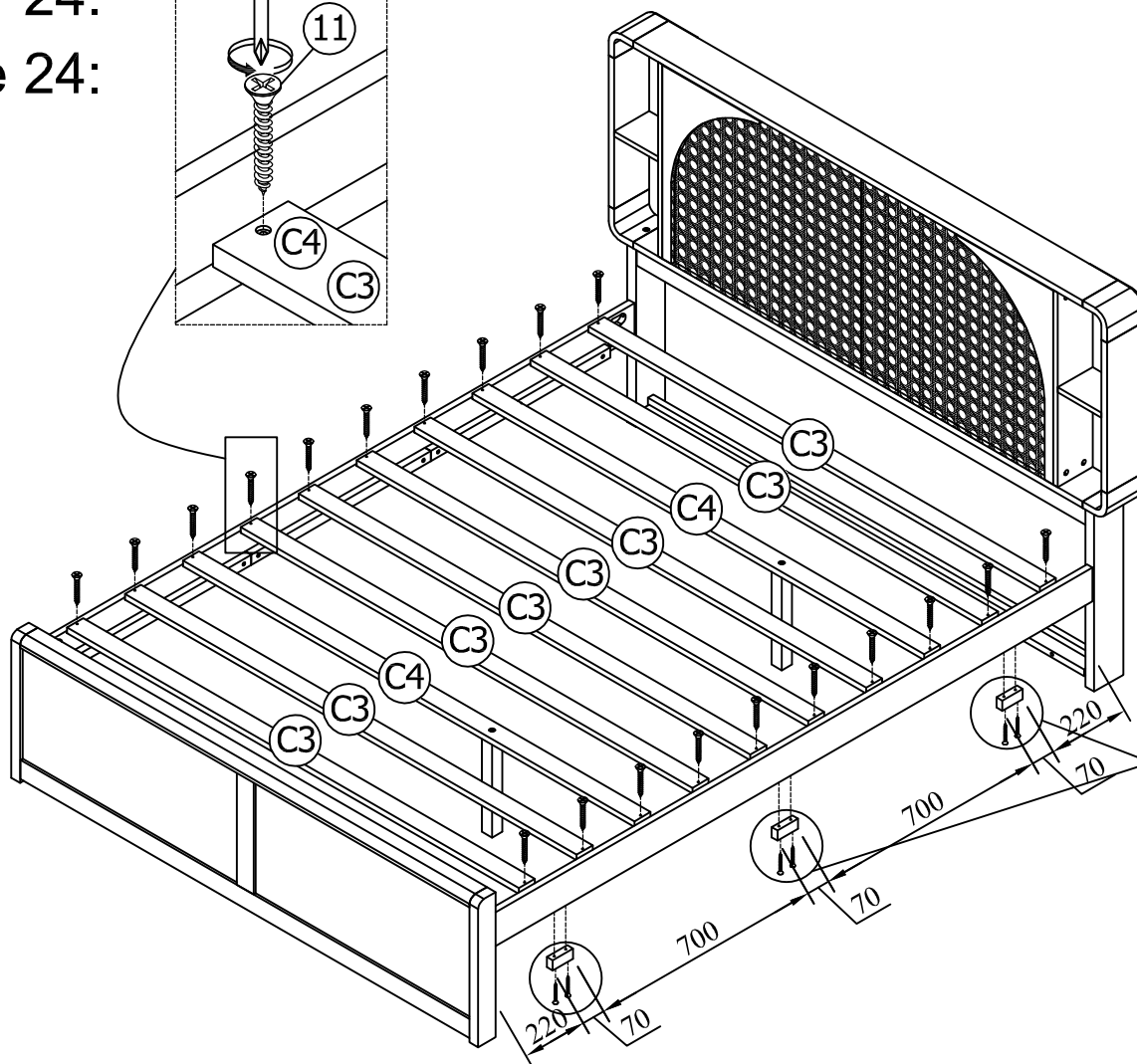
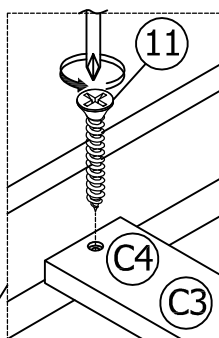
FINISH: OPTION 1



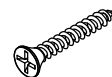
OPTION 2



STEP 24:
Étape 24:

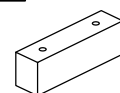


11

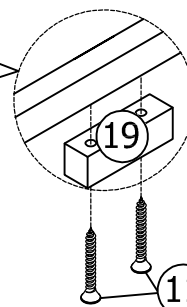


26(pcs)

19



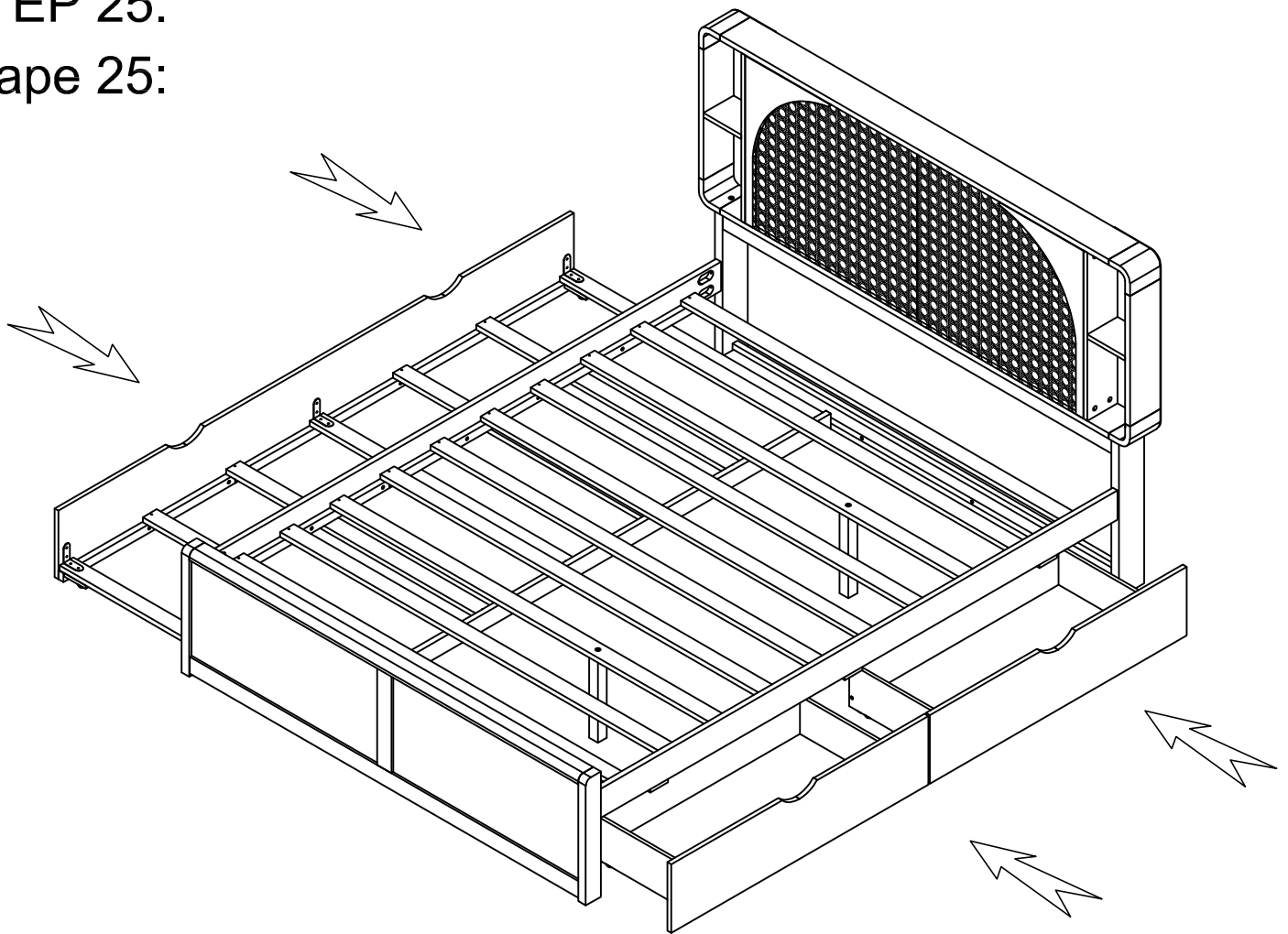
3(pcs)



23/24

STEP 25:

Étape 25:



FINISH: OPTION 2

