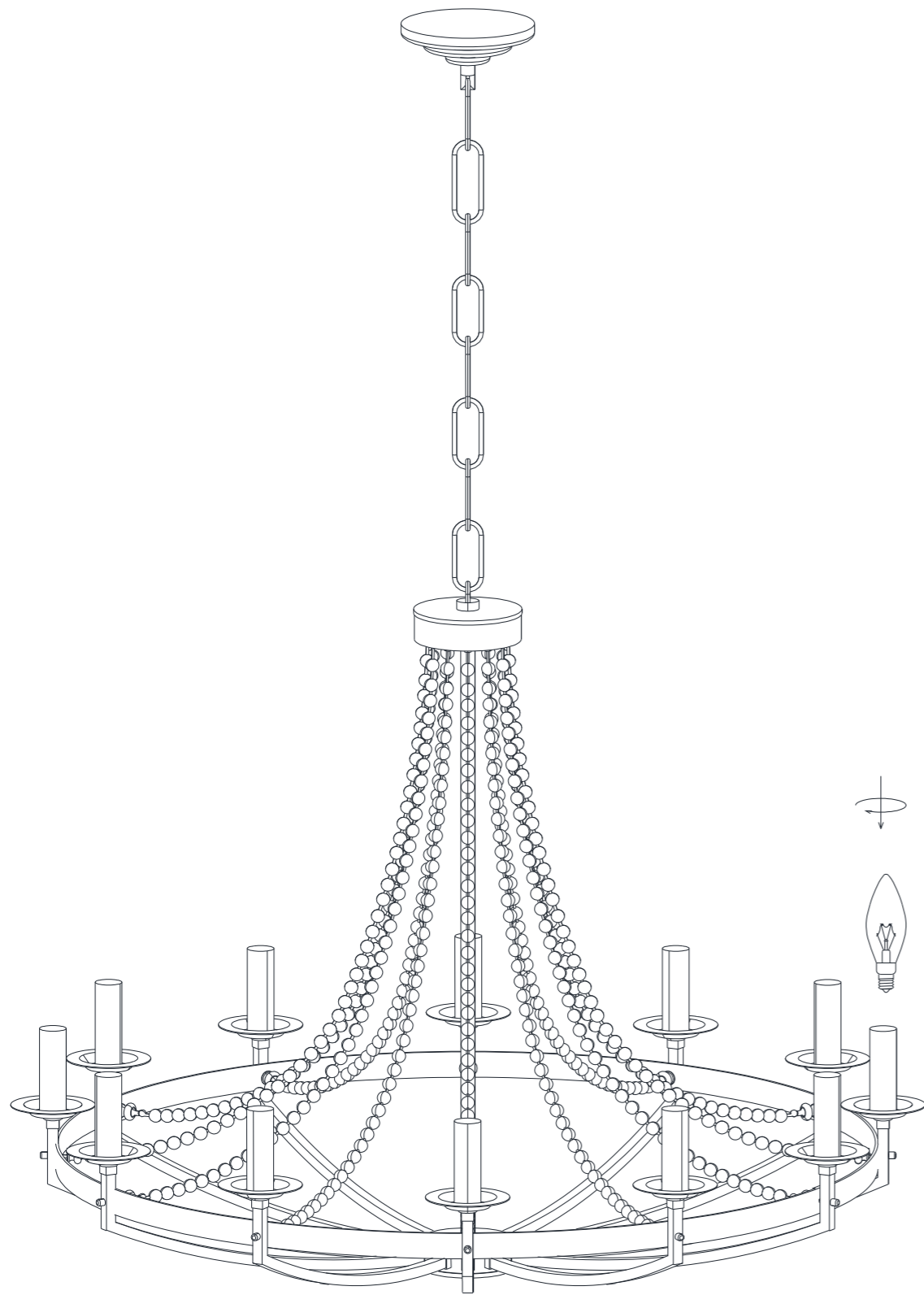


2. Install Bulbs



E12 Bulbs X 12
(Max 40W each, not included)

Note:
This lamp uses E12 bulbs up to 40W. Fully dimmable when used with dimmable bulbs and compatible dimming switches (not included).

INSTALLATION MANUAL

CHANDELIER

TOOLS REQUIRED



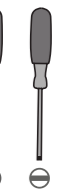
Ladder



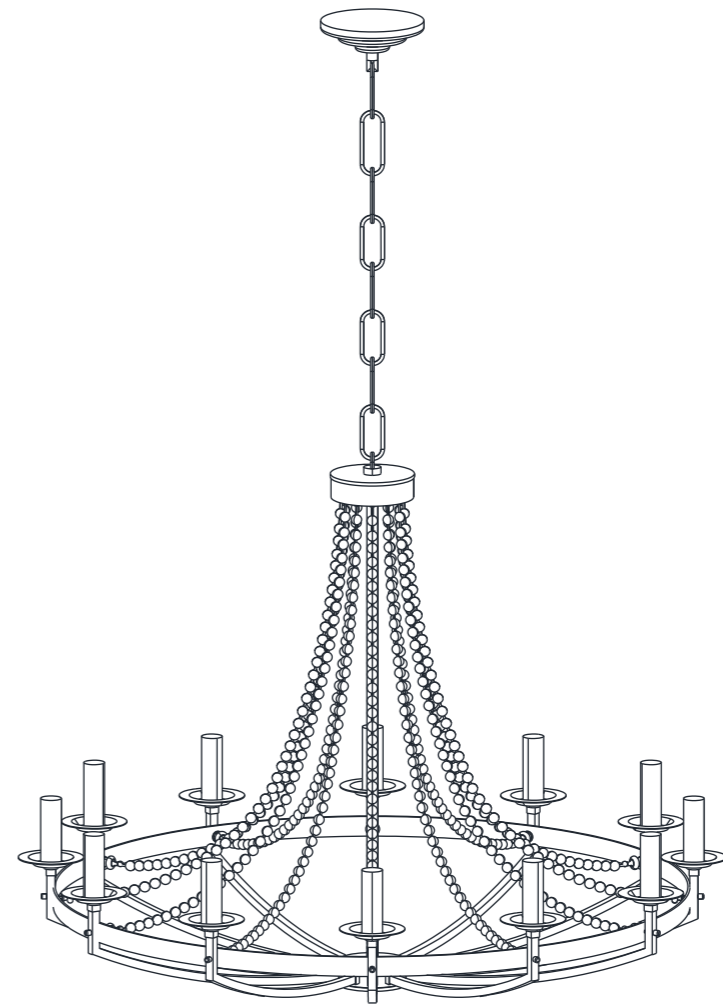
Pliers



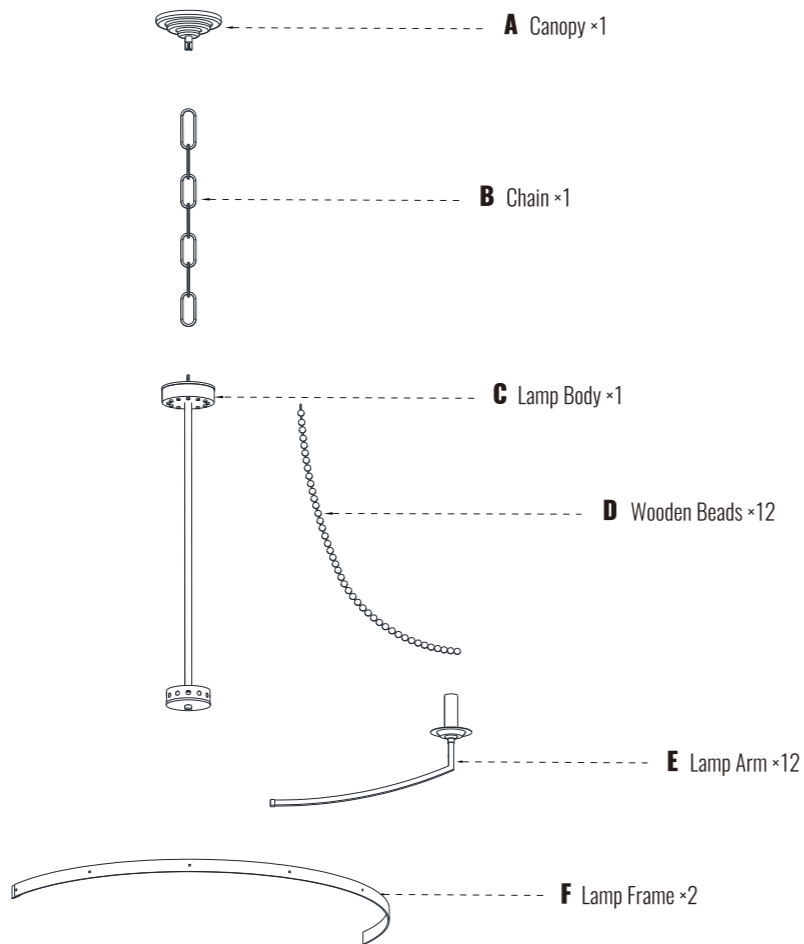
Wire
Strippers



Screwdrivers

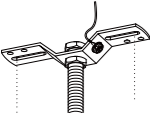

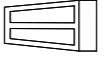



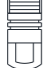

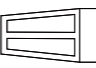




PACKING LIST



Note:
Wooden Beads (D) has a spare part.

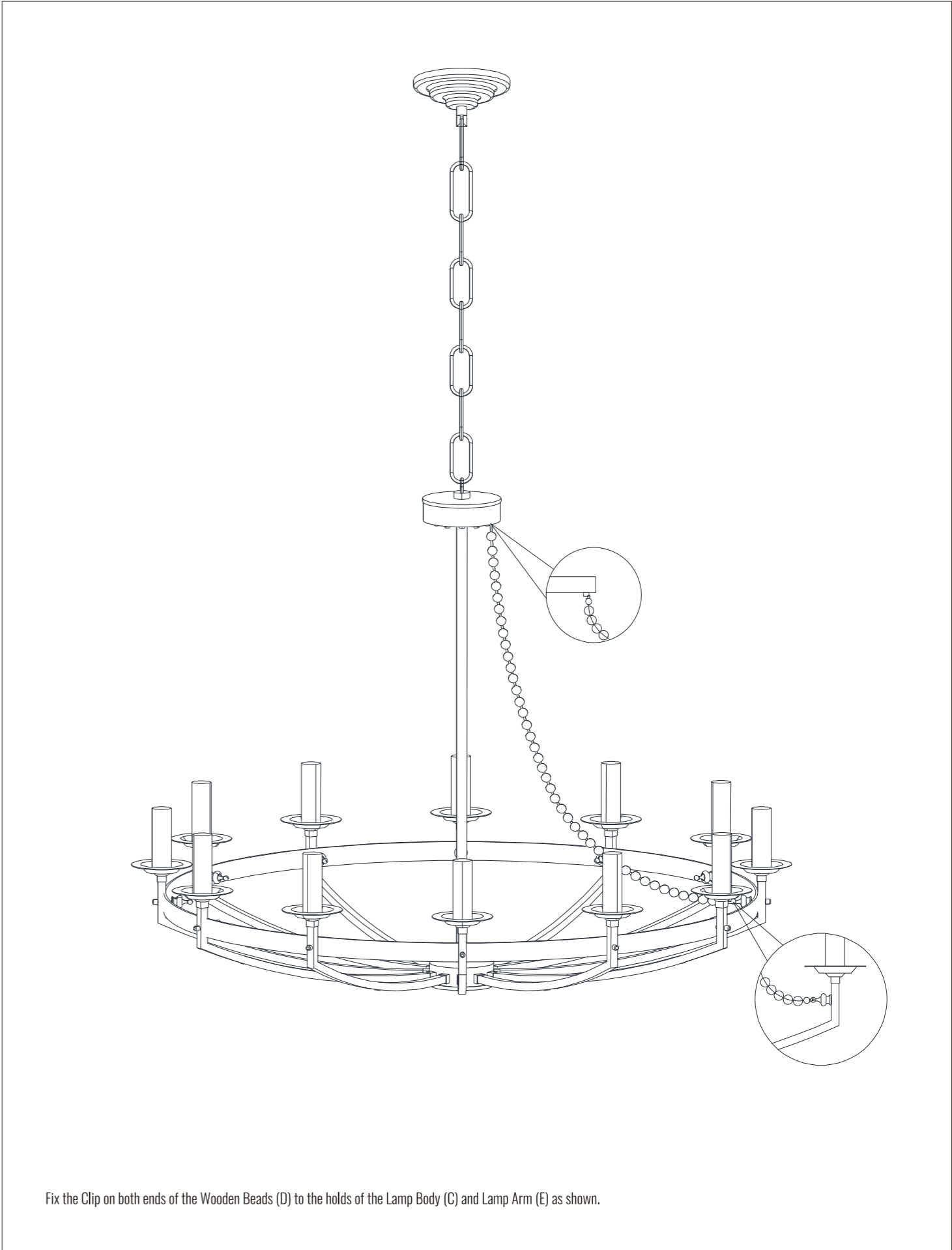
INSTALLATION KIT

AA  Mounting Bracket	BB  Ground Screw	CC  Outlet Box Screw	DD  Small Wire Nut	EE  Large Wire Nut	1x	1x	4x	4x	4x
FF  Power Main Cable	GG  Figure-Eight Buckle	HH  Hex Nut	II  Ground Wire	JJ  Fixed Screw	2x	1x	1x	5x	12x
KK  Glove									1x

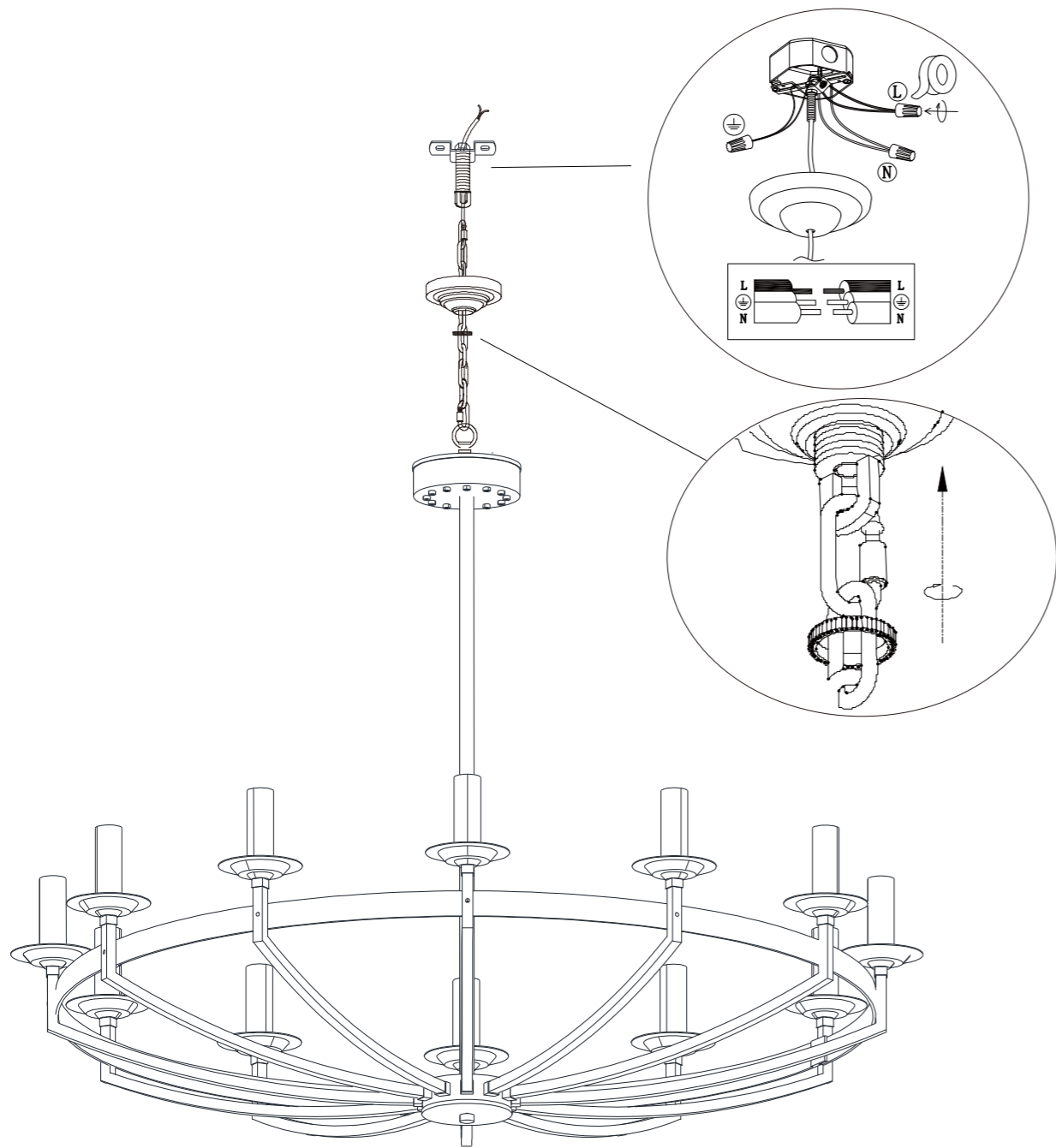
Note:
1. Knurled Nut (JJ) have some extra pieces for back-up.
2. BB/GG/HH has already been pre-installed with AA, and AA has already been pre-installed with Canopy (A).

INSTALL BEADS AND BULBS

1. Install Wooden Beads



6. Connect the Wires

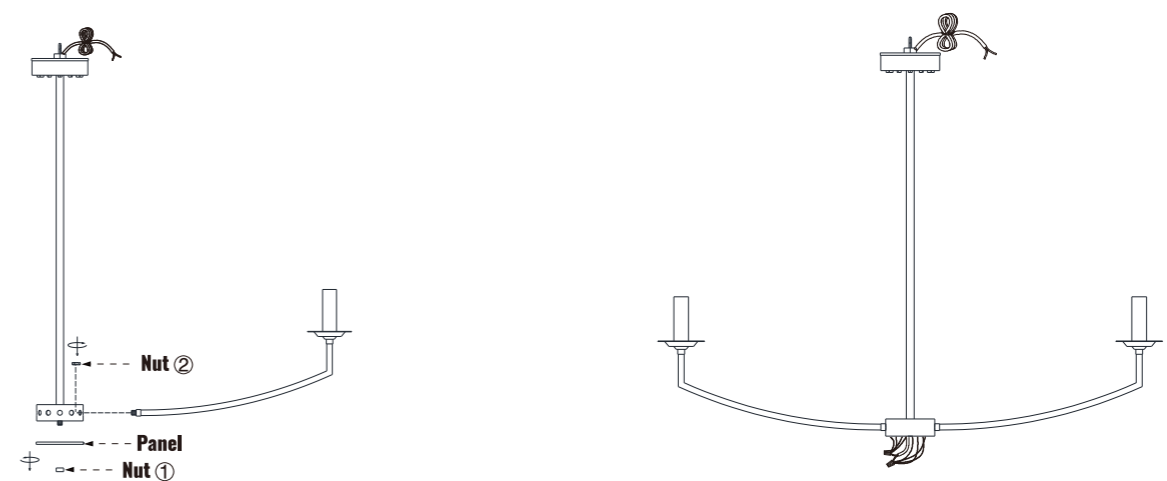


- Step 1:** Wrap the ground wire from the outlet box around the Ground Screw (BB) on the Mounting Bracket (AA), and then connect the ground wire from the fixture to the ground wire from the outlet box.
- Step 2:** Connect the wires from the fixture to the house supply wires, neutral (white) to neutral wire, and hot (black) to hot wire.
- Step 3:** Spread apart the wires so that the hot wires are on one side of the outlet box and the neutral wires are on the other.
- Step 4:** Lock the Loop Ring (HH) onto the Mounting Bracket (AA), then attach the Canopy (A) to the ceiling.

Note: Please test the fixture before installation to ensure it's working properly.

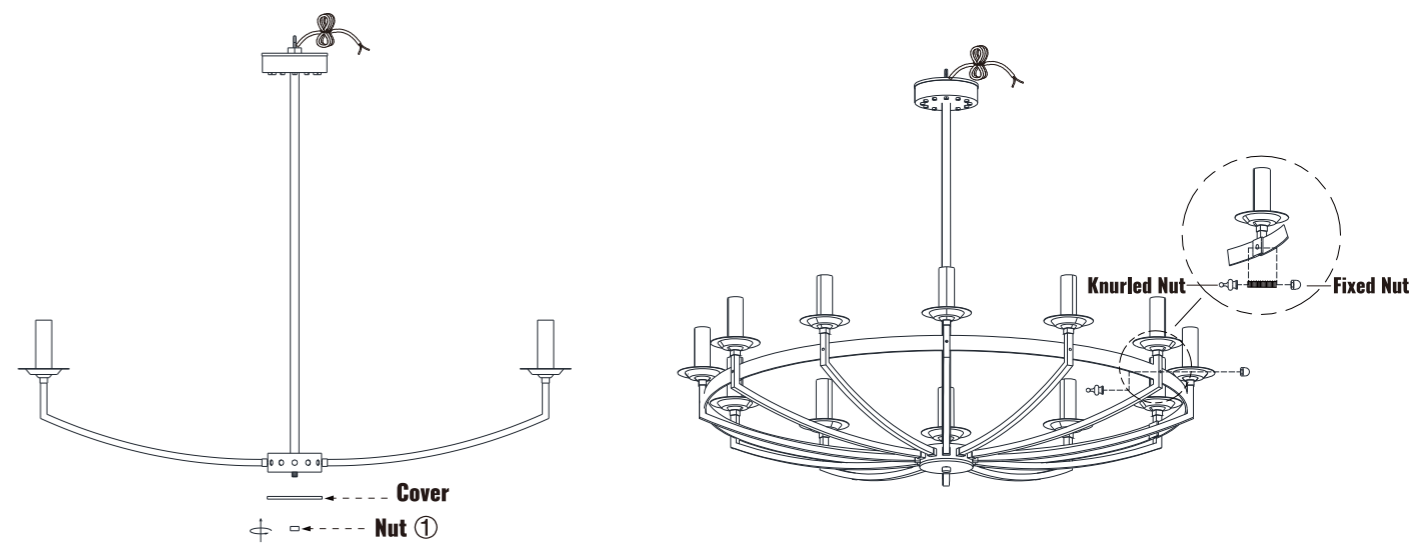
MOUNTING AND WIRE

1. Install the Lamp Arm



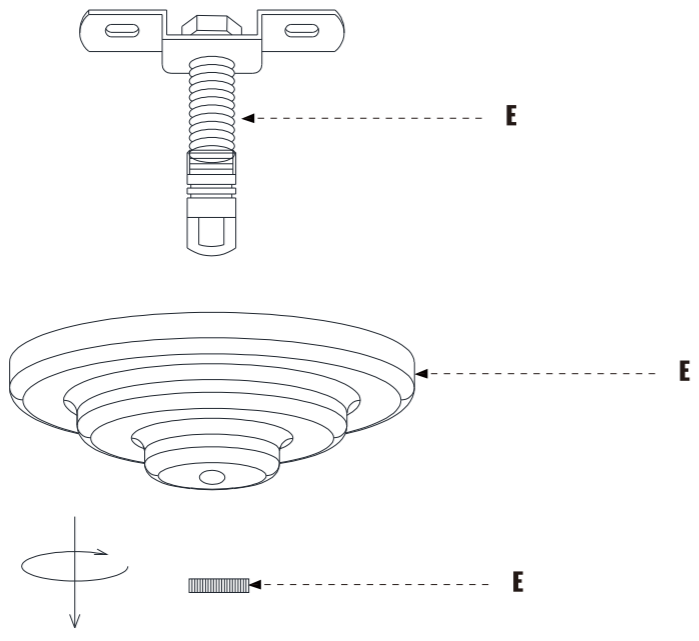
- Step 1:** Loosen the Nut ① at the bottom of the lamp body (C) and remove the cover; Then remove the Nut ② on the lamp arm (E), install the lamp arm (E) into the hole of the lamp body (C), and fix it with the removed Nut ②, as shown in the figure.
- Step 2:** Connect the wires of the lamp arm to the lower end of the wires in the lamp body with the small wire nut (CC). (black to black, white to white).

2. Install the Lamp Frame



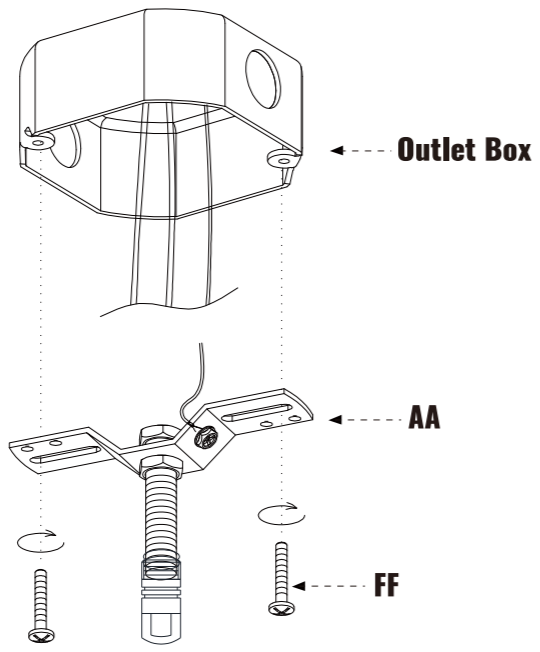
- Step 1:** Fix the cover to the lamp body (C) with the Nut ①.
- Step 2:** Fix the lamp arm to the lamp body through screws that are fixed by knurled nut (outside) and fixed nut (inside) at both ends.

3. Remove the Mounting Bracket



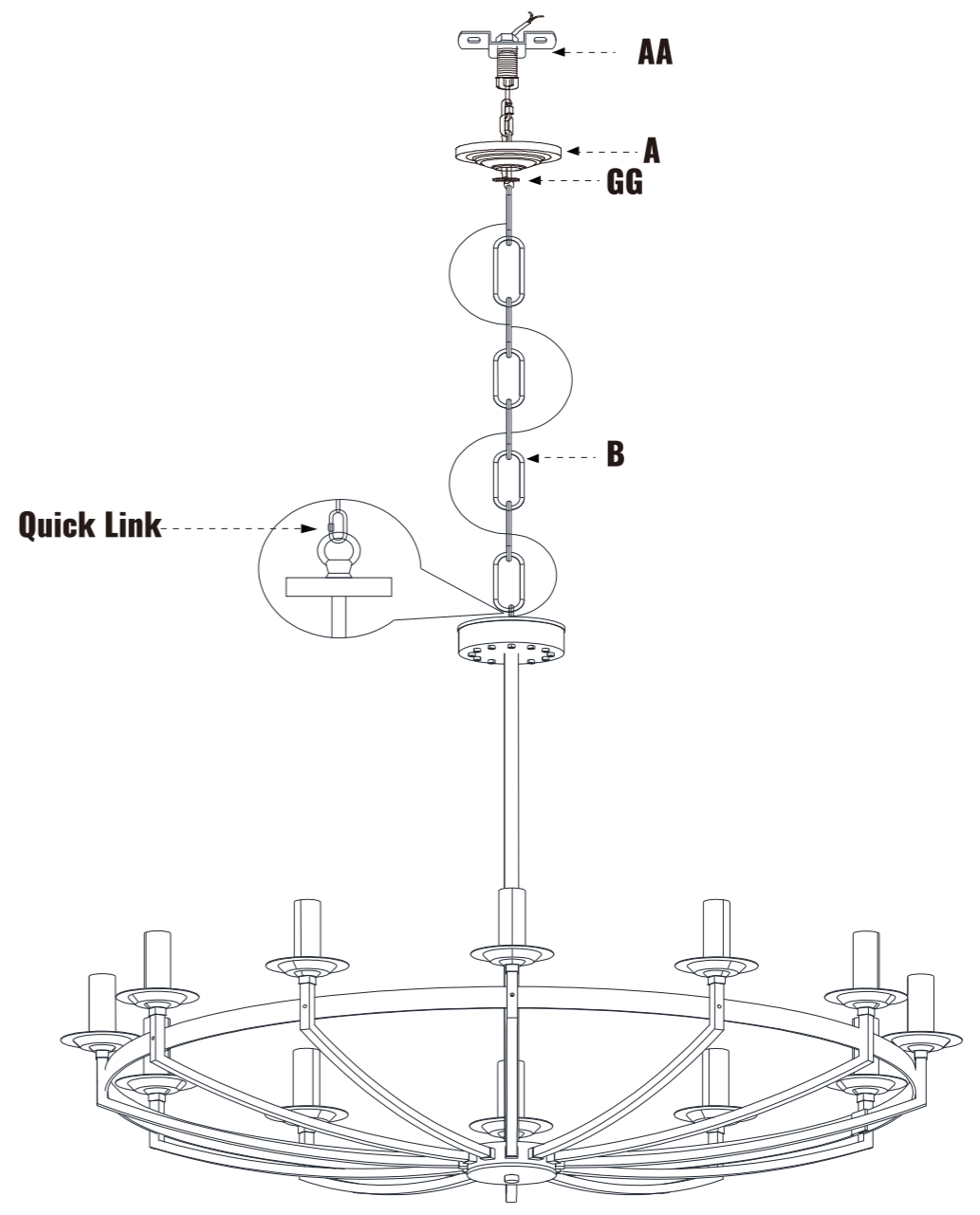
Loosen the Loop Ring (HH) from Canopy (A), take out the Mounting Bracket (AA).

4. Install Mounting Bracket



Take off the screws from outlet box, attach the mounting bracket to the box with screws taken off or outlet box screw.

5. Pass the Wires



Step 1: Pass the wires through Chain (B), Loop Ring (HH), Canopy (A) and Mounting Bracket (AA).
Step 2: Open the Quick Link on Chain (B), then connect the Quick Link on both ends of Chain (B) to the Fixture Loop of the Lamp Body (C) and Loop Ring (GG) of the Mounting Bracket (AA), and finally lock the Quick Link tightly.