



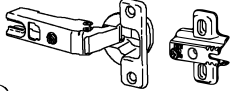



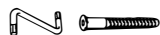
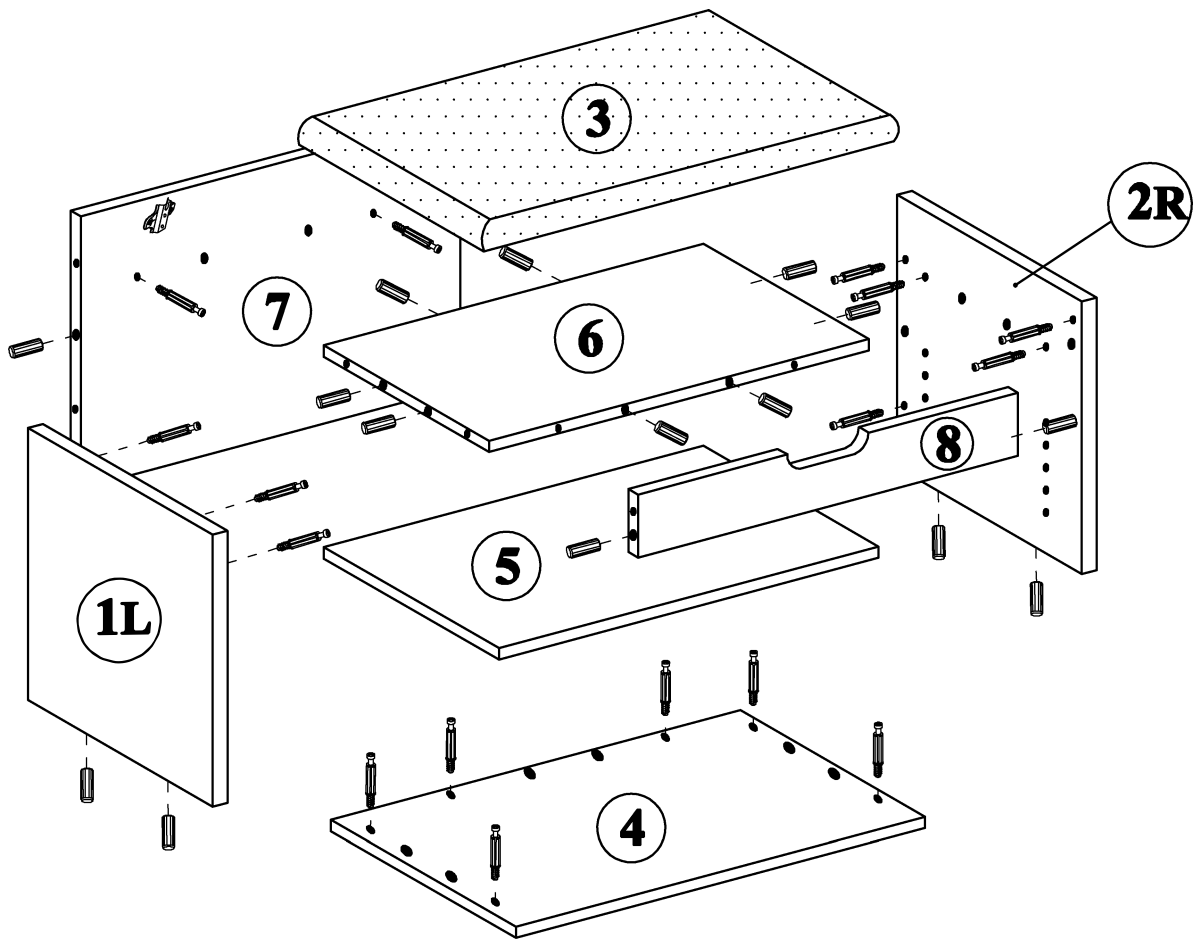
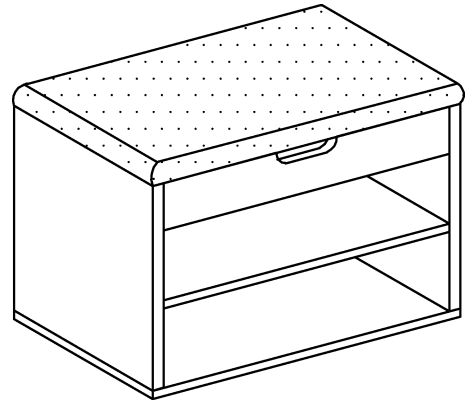


 A1 8*30mm x18	 C1 5*30mm x20	 D x20
 D1 16mm x20	 E8 4*16mm x4	 L1 x2
 F1 6,3*13mm x4	 K5 x4	 J1 5*16mm x4

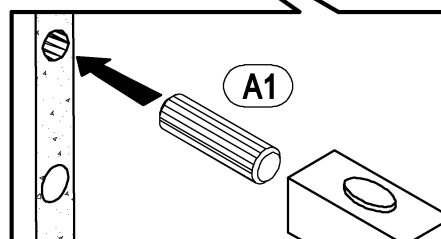
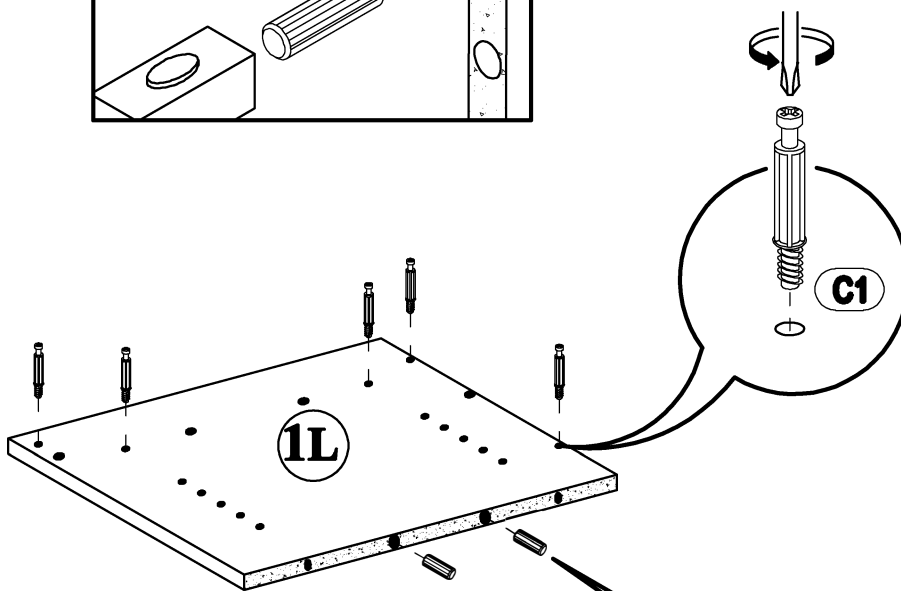
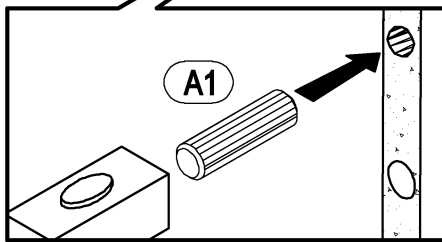
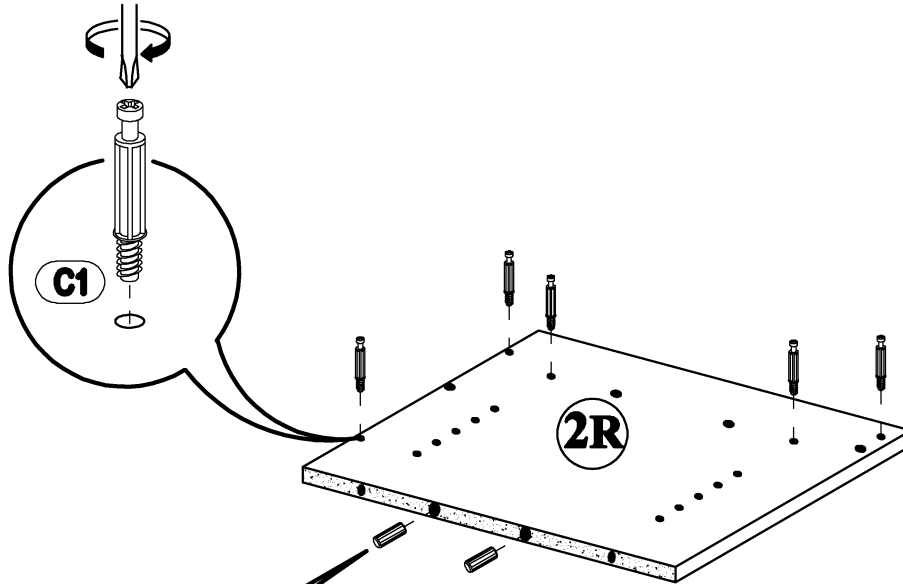
Nº	a*b	x	Nº→...
1L	388x300	x1	
2R	388x300	x1	
3	604x304	x1	
4	600x300	x1	
5	568x284	x1	
6	568x268	x1	
7	568x388	x1	
8	568x90	x1	
		x1	




1





2

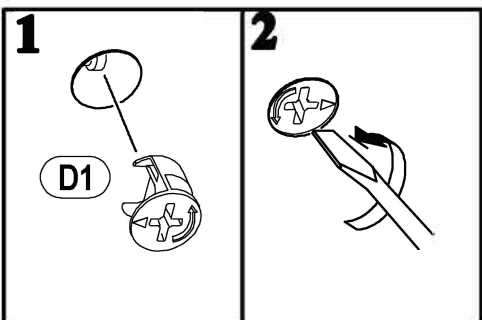
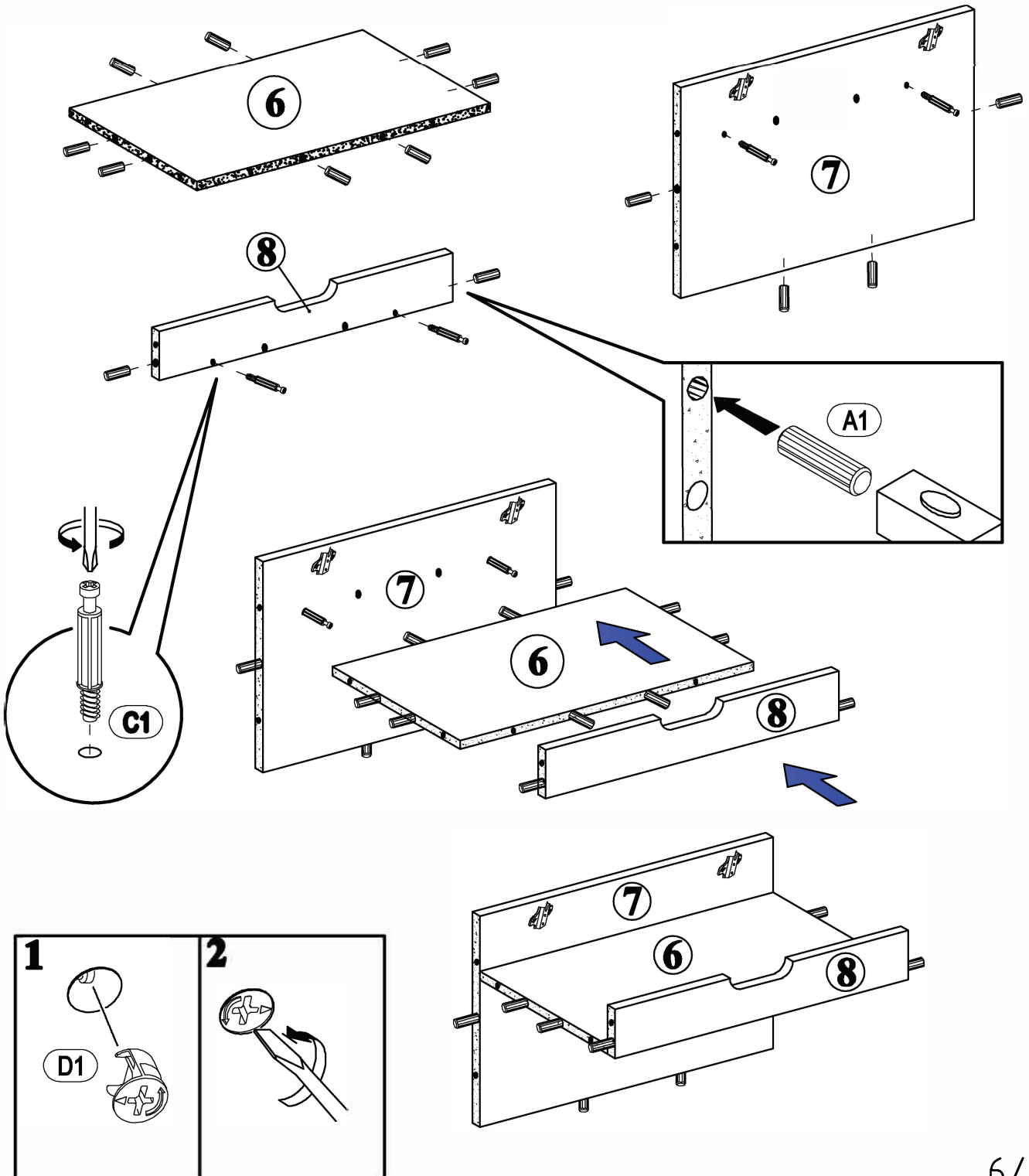
	
A1 8*30mm x4	C1 5*30mm x10



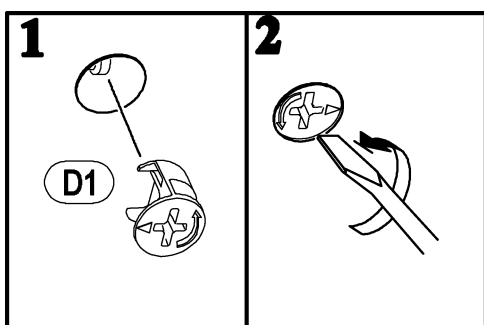
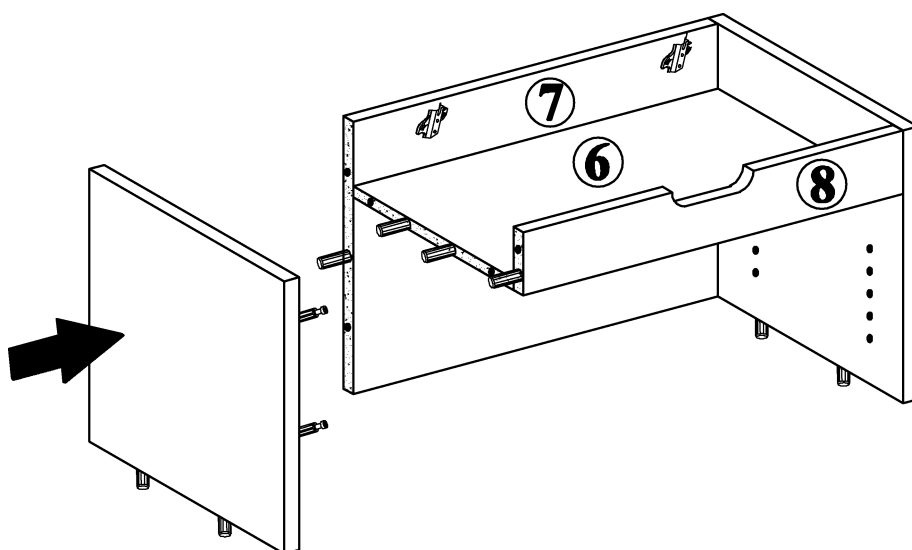
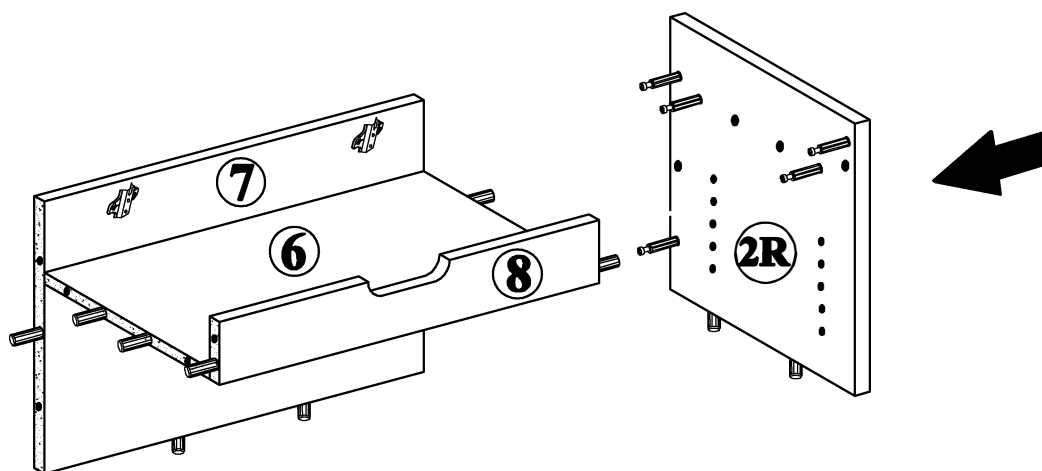
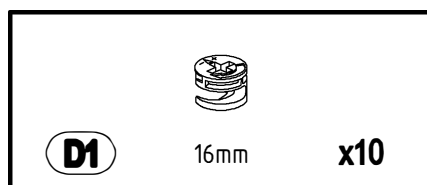
 A1 8*30mm x14	 C1 5*30mm x4	 D1 16mm x4
---	--	--

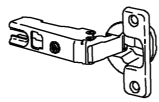



3

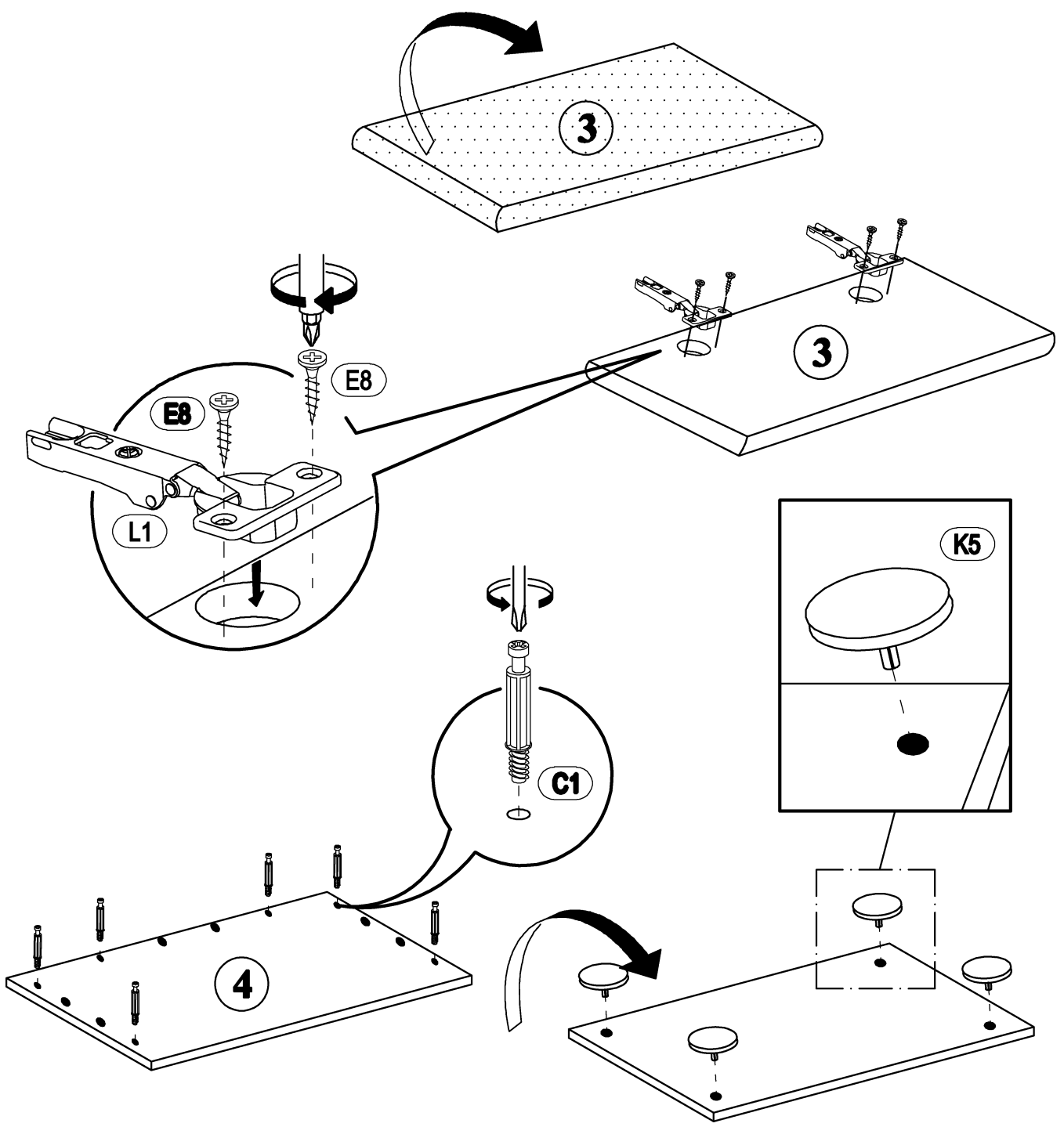
 F1 6,3*13mm x4	 L1 x2
--	--





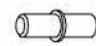
4



 <p>L1 x2</p>	 <p>C1 5*30mm x6</p>	 <p>E8 4*16mm x4</p>
<h1>5</h1>		 <p>K5 x4</p>



6

D1	 16mm	x6	D	 x24	J1	 5*16mm	x4
-----------	---	-----------	----------	--	-----------	---	-----------

