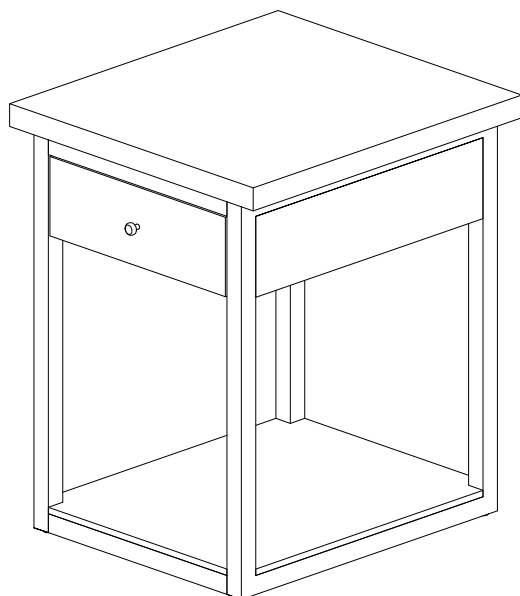


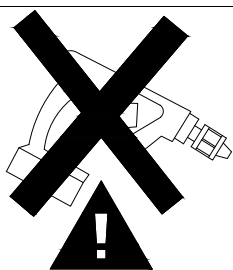
ASSEMBLY INSTRUCTION

END TABLE

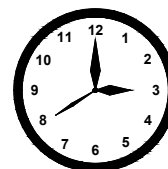
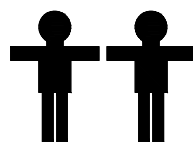


REPLACEMENT PARTS

Please do not contact the company purchased from as we can help you faster.
Order replacement parts and hardware

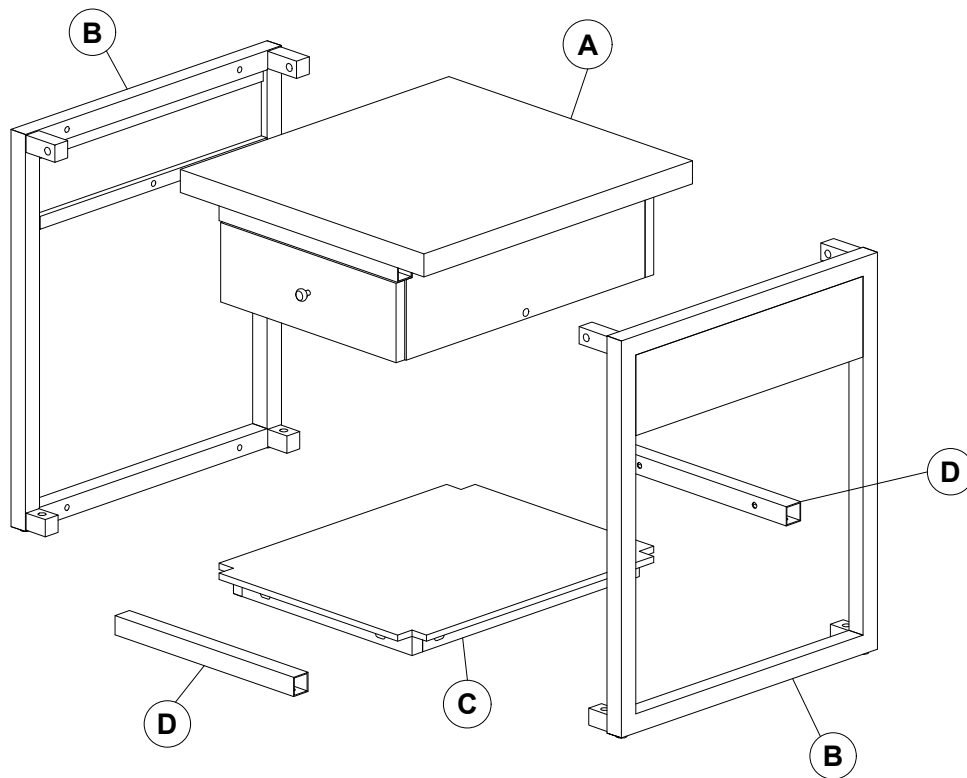


- . Use of power tool to assemble this product will invalidate any claim and damage this product making it unsafe !!!
- . Please assemble on a clean soft surface to avoid damage.

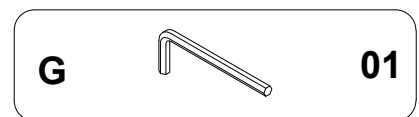
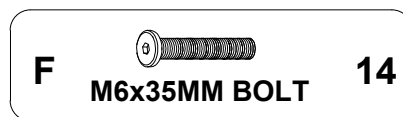
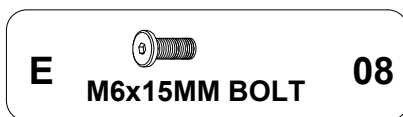


30 minutes

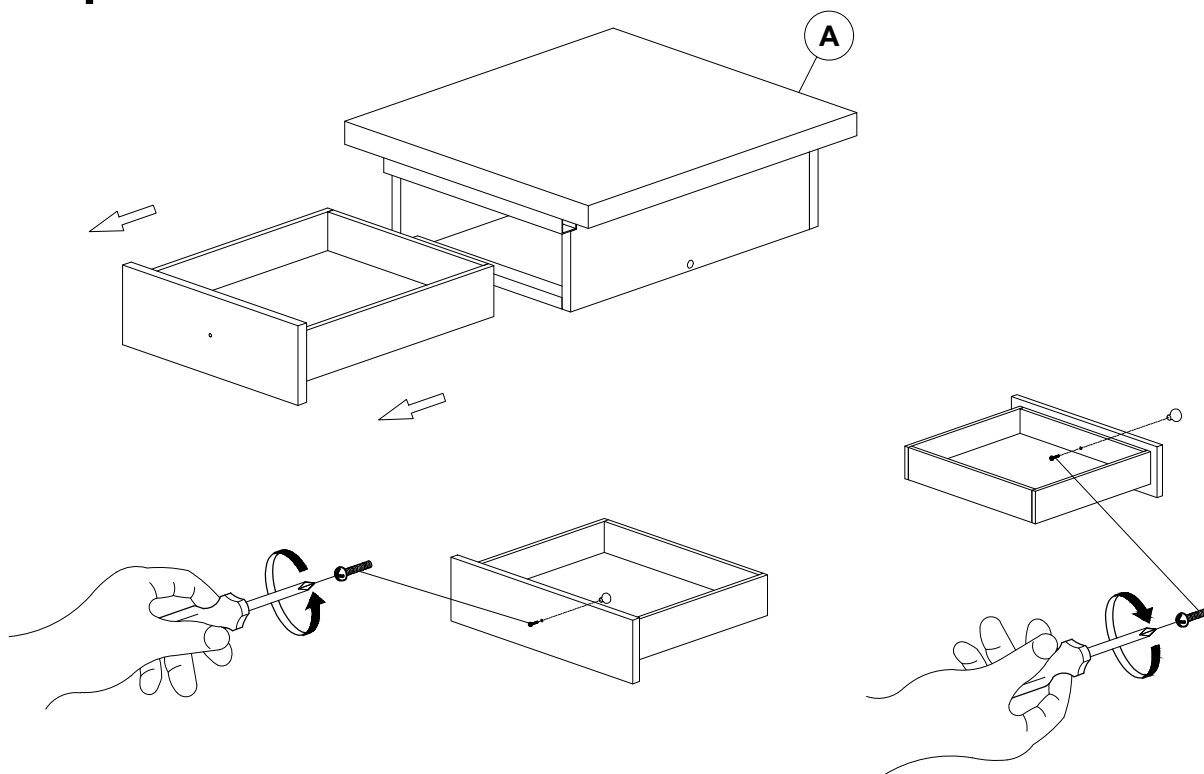
Part list



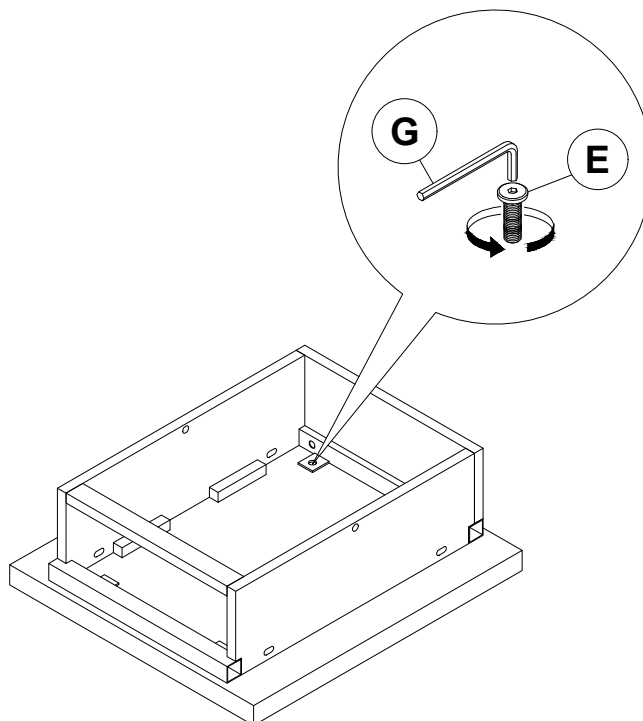
Identifying the hardware-Identify the hardware using the illustrations below



Step 01



Step 02

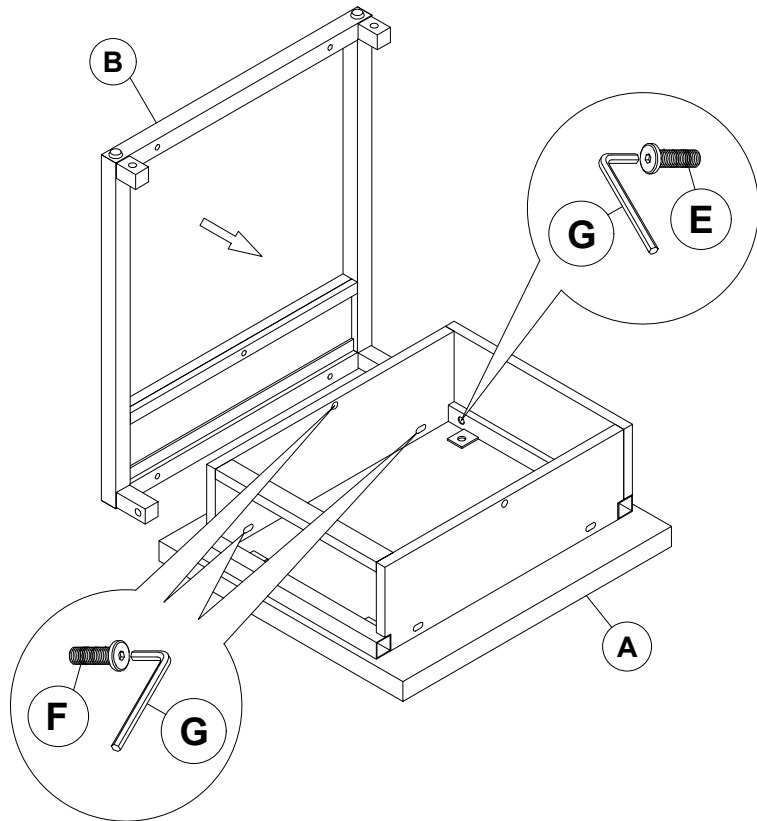


Step 03

E  **02**
M6x15MM BOLT

F  **03**
M6x35MM BOLT

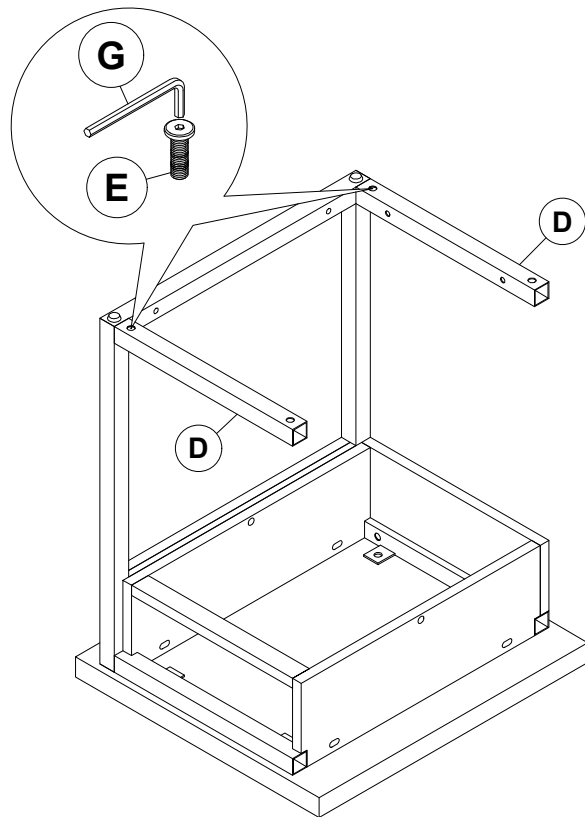
G  **01**



Step 04

E  **02**
M6x15MM BOLT

G  **01**

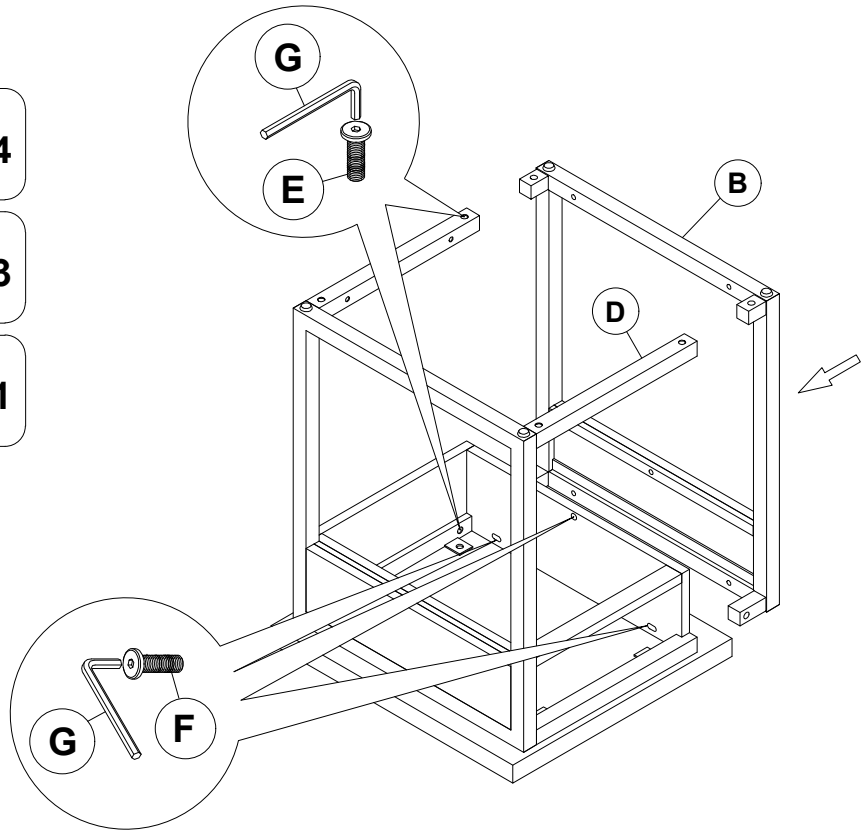


Step 05

E  **04**

F  **03**

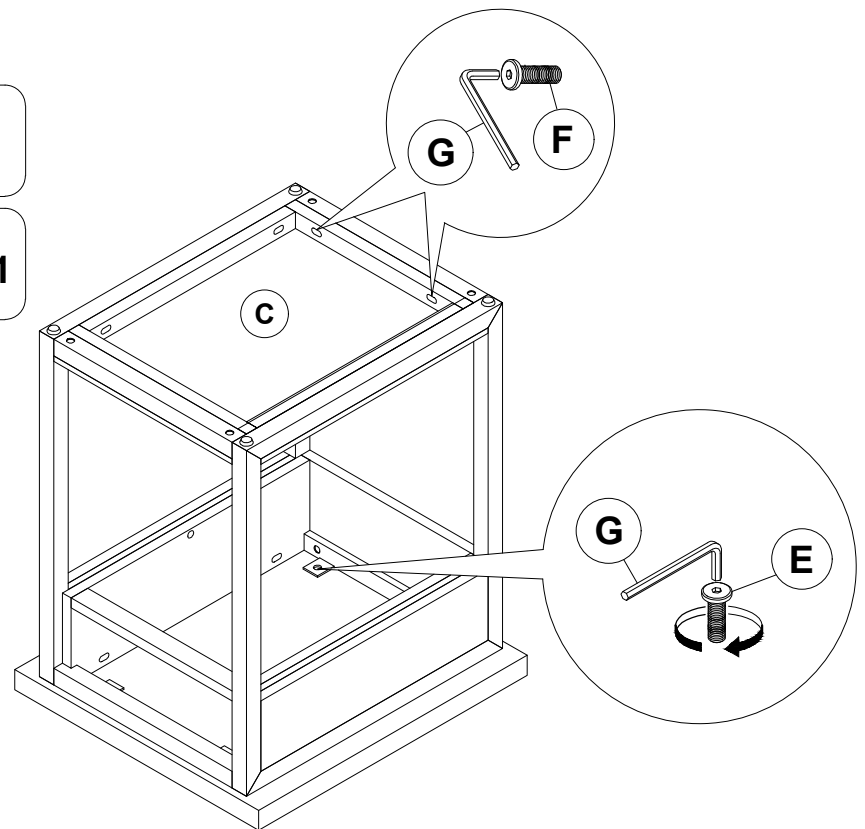
G  **01**



Step 06

F  **8**

G  **01**



Step 07

