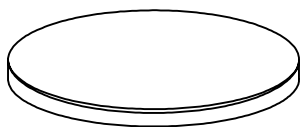


# ASSEMBLY INSTRUCTION

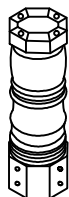
## 42" ROUND DINING TABLE

**A** TABLE TOP



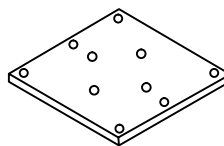
1 pc

**B** PEDESTAL



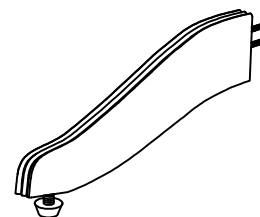
1 pc

**C** MOUNTING PLATE



1 pc

**D** LEG WITH LEVELER



4 pcs

**E** BOLT  
Ø 1/4" x 40 mm



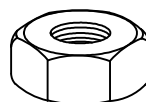
6 pcs

**F** BOLT  
Ø 5/16" x 40 mm



4 pcs

**G** HEX NUT  
Ø 5/16" x 12 mm



8 pcs

**H** LOCK WASHER  
Ø 5/16" x 13 mm



18 pcs

**I** FLAT WASHER  
Ø 5/16" x 19 mm



18 pcs

**J** ALLEN KEY  
4 mm

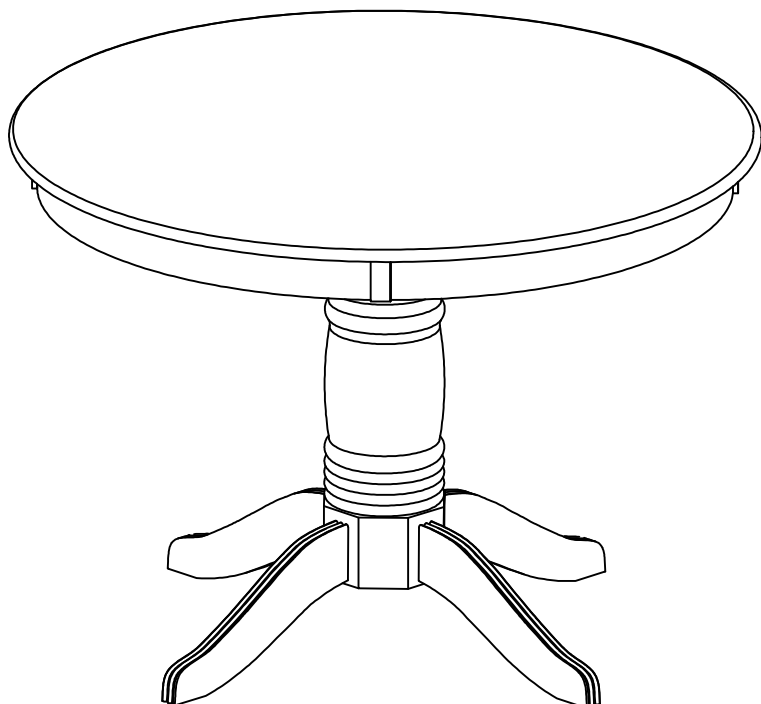


1 pc

**K** WRENCH  
12 mm



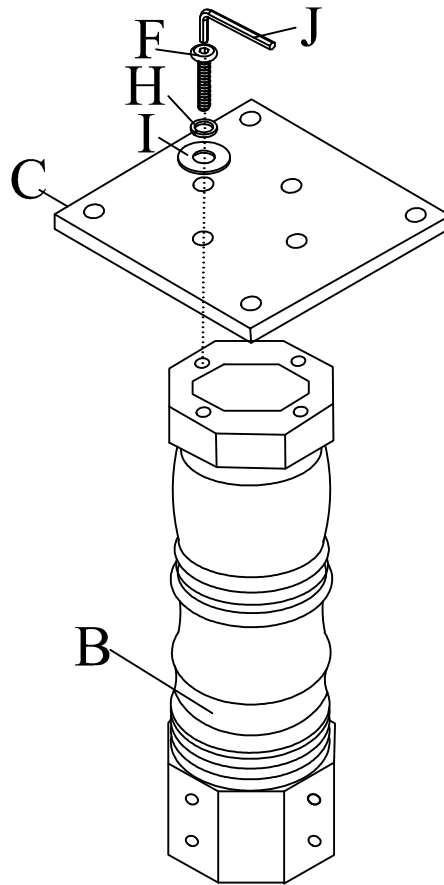
1 pc



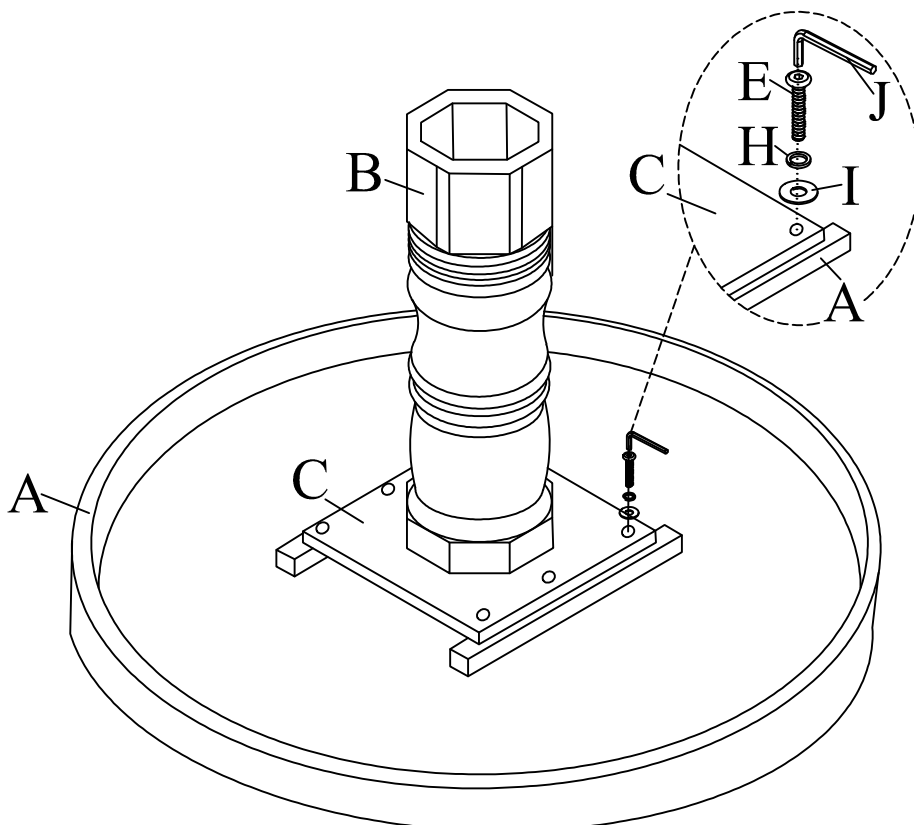
This page lists all the contents included in the box. Please take the time to identify the hardware as well as the individual components to this product. As you unpack and prepare for assembly, place the contents on a carpeted or padded area to protect them from damage.

**1**

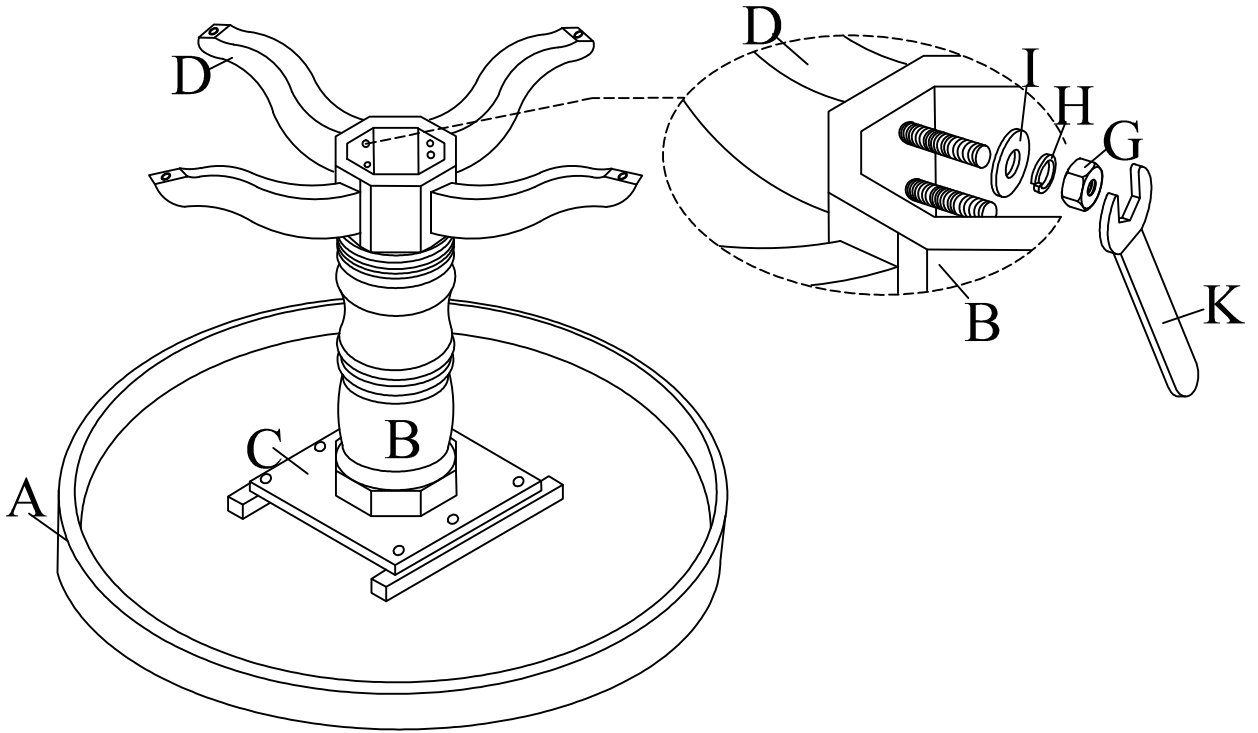
Attach the Mounting Plate (C) to Pedestal (B) with Flat Washer (I), Lock Washer (H), Bolt (F) and fully tighten with Allen Key (J). Do not over tighten.

**2**

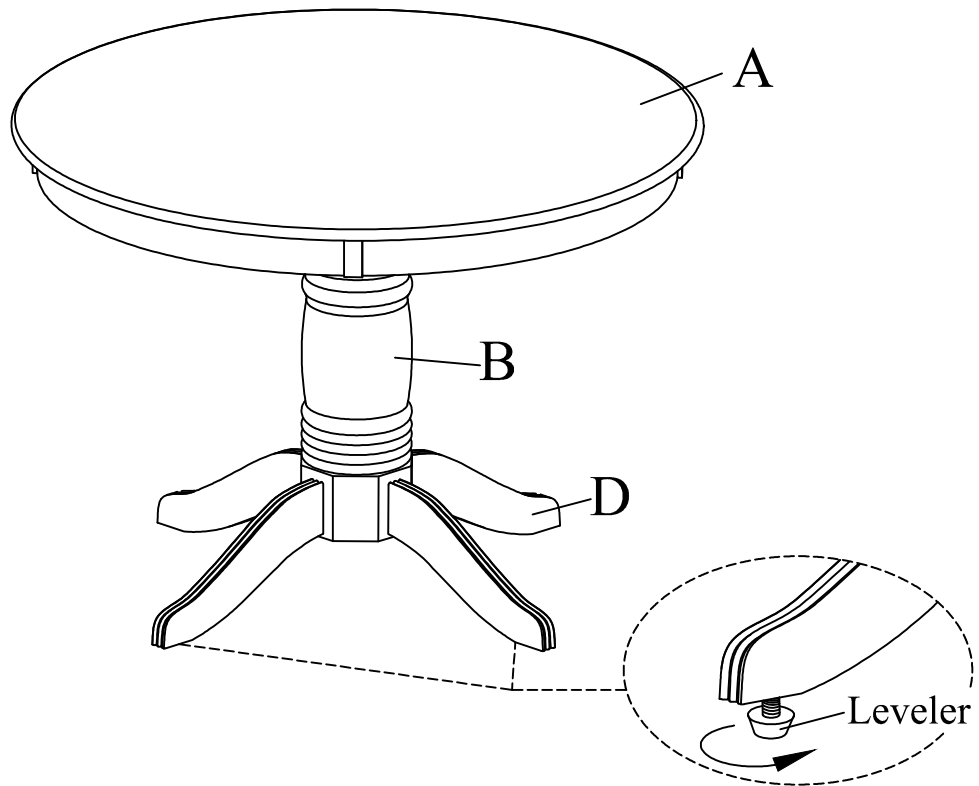
Attach the Mounting Plate (C) to Table Top (A) with Flat Washer (I), Lock Washer (H), Bolt (E) and fully tighten with Allen Key (J). Do not over tighten.



- 3** Attach the Leg With Leveler (D) to Pedestal (B) with Flat Washer (I), Lock Washer (H), Hex Nut (G) and fully tighten with Wrench (K). Do not over tighten.



- 4** Turn the Table to upright position, place it on flat surface and adjust the Leveler so that Table is level and does not wobble. Assembly product is now completed.



**Cleaning & Care :**

Treat surface with care. Surface is resistant to scratches but is not scratch resistant. Clean surface with a dry or damp soft cloth. Do not use abrasive cleaners. Hardware may loosen over time. Periodically check that all connections are tight.