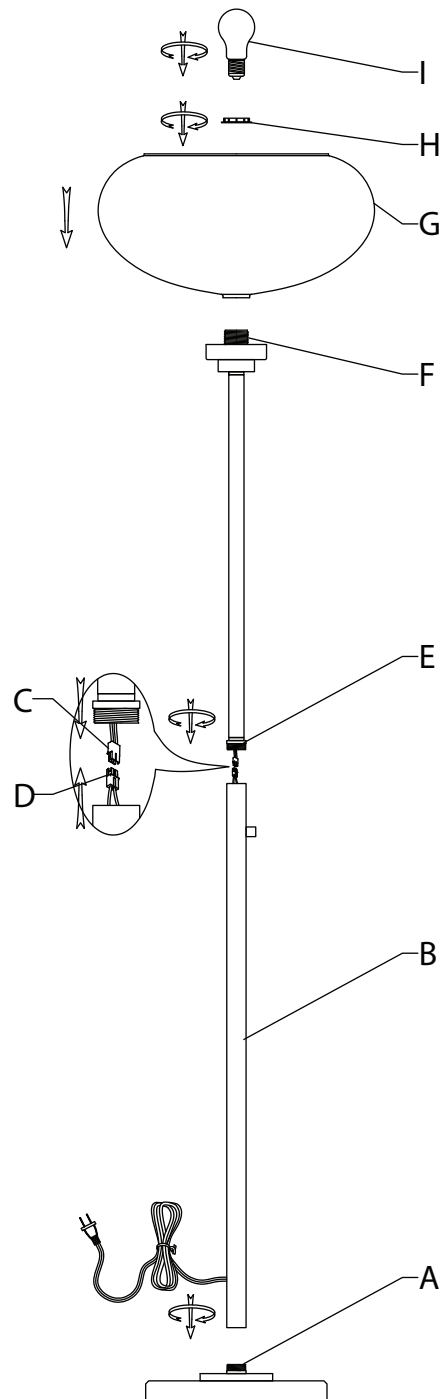


ASSEMBLY INSTRUCTIONS

MORELLI TORCHIERE

1512202

1. Carefully remove all lamp parts from the box.
2. Assemble metal column (B) onto base (A) and rotate until snug.
3. Insert male/female connectors (C) into (D).
4. Assemble lamp column (E) onto the metal lamp column (B).
5. Attach shade (G) to the socket assembly (F). Secure with socket ring (H).
6. Insert bulb (I) - NOT INCLUDED.
7. Recommended: E26 A19 14W 2700K Dimmable/Flicker-free LED bulb



IMPORTANT SAFETY INSTRUCTIONS

This lamp has a polarized plug (one blade is wider than the other) as a safety feature to reduce the risk of electric shock. This plug will fit in a polarized outlet only one way. If the plug does not fit fully in the outlet, reverse the plug. If it still does not fit, contact a qualified electrician. Never use with an extension cord unless the plug can be fully inserted. Do not alter the plug.

IMPORTANTES INSTRUCCIONES DE SEGURIDAD

Esta lampara tiene un enchufe polarizado (una navaja es mas ancha que la otra) como forma de seguridad para reducir el riesgo de un shock electrico. Este enchufe polarizado entrara en una conexión solo de un lado. Si el enchufe no entra en la conexión trate al reverso. Si aun asi no entra, contacte a un electricista calificado. Nunca use una extension a menos que el enchufe pueda ser conectado completamente. No altere el enchufe.