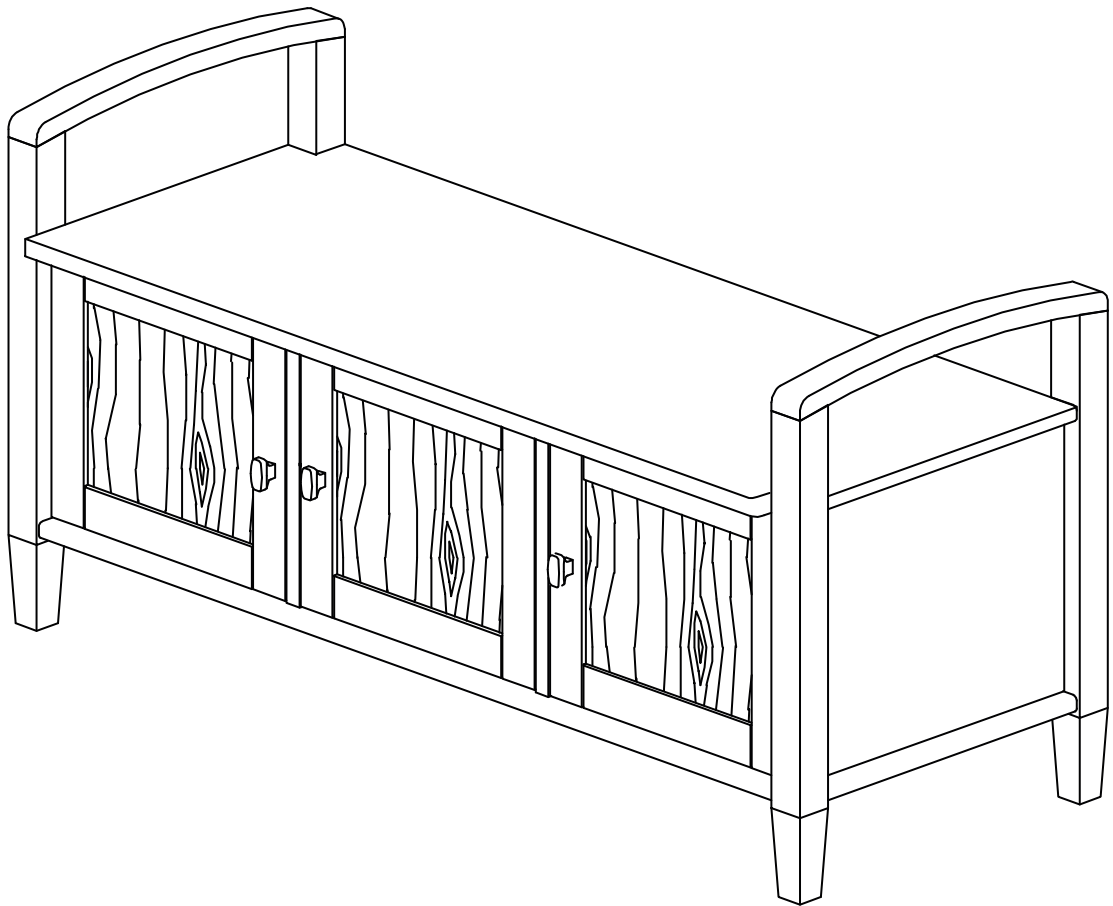


# STORAGE BENCH



**IMPORTANT :** Please read this manual carefully before beginning assembly of this product. Keep this manual for future reference.

## **SAFETY INFORMATION**

Identify all the parts and hardware. Do not discard of the packaging until you have checked that you have all of the parts and hardware required. Hardware package may have spare parts.

**WARNING:** This item contains small parts which can be swallowed by children and pets. Keep children and pets away during assembly. To avoid danger of suffocation, always keep plastic bags away from children and pets. We recommend that you assemble this unit on a carpeted floor to avoid scratches. If using power tools, set the tool to low torque to avoid damage.

**May require 2 people for ease of assembly.**

**IMPORTANT :** Please read this manual carefully before beginning assembly of this product. Keep this manual for future reference.

## CARE and MAINTENANCE

Perhaps the greatest environmental damage to wood furniture comes from wide swings in relative humidity (RH) in our homes. Wood absorbs and desorbs water as relative humidity rises and falls, and in doing so it swells and shrinks. Making matters worse, it expands and contracts unequally along different grain directions. As humidity changes, the components of wooden objects are continually pushing and pulling against each other. This pressure often results in parts of furniture no longer fitting together closely or becoming distorted or breaking from their own internal stresses.

The response to relative humidity changes begins with determining the annual average RH for your particular space. Then try to keep the RH in the space where your furniture is as close to that average as possible, generally within about 10% up or down. De-humidify in the summer and humidify in the winter.

Be aware that raising the temperature lowers the humidity and vice versa. Thus, modern heating systems, which can drive down interior RH in the winter, almost invariably cause problems for furniture. To counteract their effect, you can either modify the RH by keeping furniture containing spaces cooler in the winter or most importantly, have a good working humidifier for your home. A humidistat automatically works to balance the humidity in your home so it is constant. Dry indoor air can suck enough moisture from its surroundings to do permanent damage to wood, causing it to crack or split.

Remember, that not all woods are created equal. Two factors that help determine how rapidly a wood will lose moisture are pore size and surface hardness. A piece made from a dense and hard wood will dry less rapidly than pieces made from softer woods.

Furniture that is sealed and lacquered will lose moisture more slowly than an unfinished piece while pieces with veneer finishes are not only stronger, but lose moisture more slowly than other finishes.

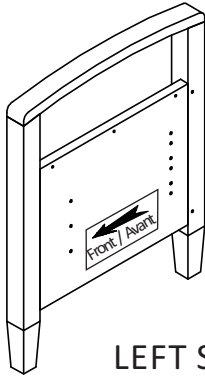
### **To help protect your wood furniture, take these steps:**

- Use a humidifier, preferably one with an automatic control system that can sense the humidity level and adjust itself accordingly. Don't over-humidify; that can damage wood by causing it to expand and contract.
- Keep furniture out of direct sunlight, which can cause it to dry out, crack and warp.
- If you can avoid it, don't put furniture near heating vents. If you must, keep the piece 3 to 4 inches away from the wall, giving the heat and air space to circulate.
- Dust with soft dry cloth.
- Do not use liquid or aerosol products.
- To avoid marking, do not place rubber on surface (foot pads, etc.)
- For soil build-up, wipe with damp cloth & dry.
- Do not use abrasive cleaners.

# PRE-ASSEMBLY INFORMATION

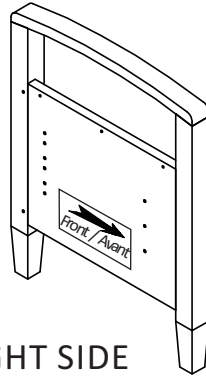
## PARTS DESCRIPTION

**AL**



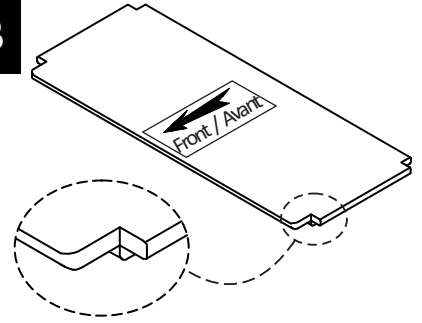
LEFT SIDE  
QTY 1

**AR**



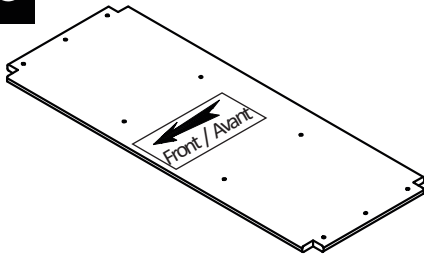
RIGHT SIDE  
QTY 1

**B**



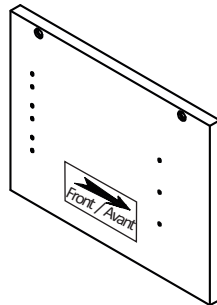
SEAT  
QTY 1

**C**



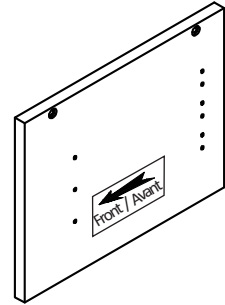
BOTTOM SHELF  
QTY 1

**DL**



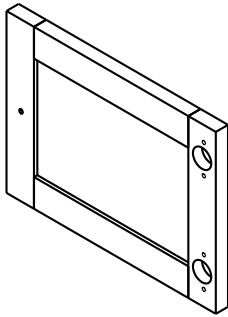
LEFT DIVIDER  
QTY 1

**DR**



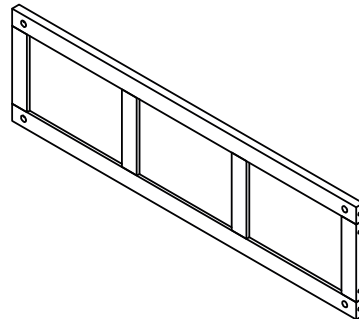
RIGHT DIVIDER  
QTY 1

**E**



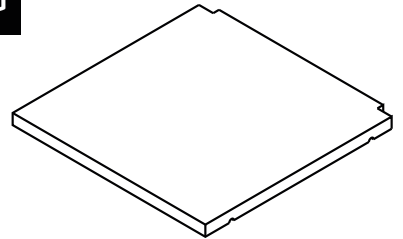
DOOR (L&R Same)  
QTY 3

**F**



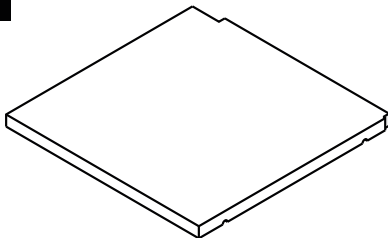
BACK  
QTY 1

**G**



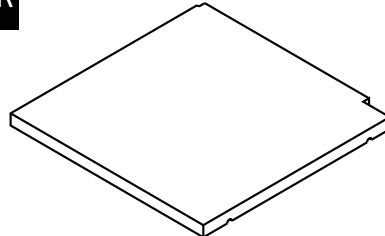
CABINET SHELF  
QTY 1

**HL**



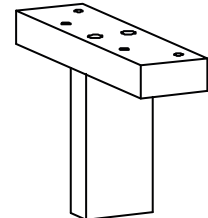
LEFT CABINET SHELF  
QTY 1

**HR**



RIGHT CABINET SHELF  
QTY 1

**I**

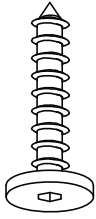


BOTTOM SUPPORT LEG  
QTY 1

# PRE-ASSEMBLY INFORMATION

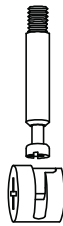
## HARDWARE DESCRIPTION

1



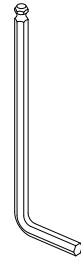
ALLEN KEY SCREW  
M6 X 30 mm  
QTY 20

2



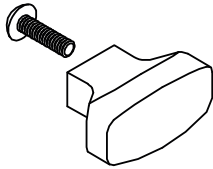
CAM LOCK PIN  
CAM LOCK  
QTY 4 SETS

3



ALLEN KEY  
QTY 1

4



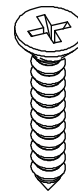
HANDLE  
M4 X 25 mm  
QTY 3 SETS

5



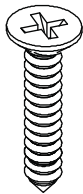
WOOD DOWEL  
Ø8 X 30 mm  
QTY 8

6



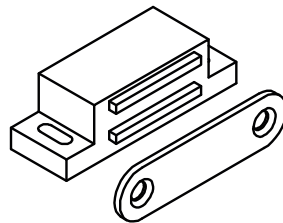
PHILLIPS SCREW  
M3 X 15 mm  
QTY 12

7



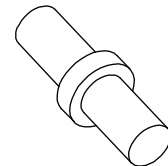
PHILLIPS SCREW  
M4 X 15 mm  
QTY 36

8



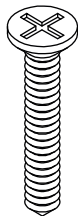
MAGNET AND PLATE  
QTY 3 SETS

9



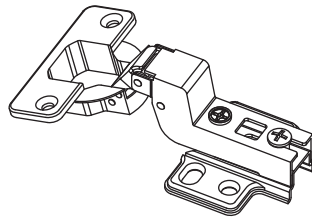
SHELF SUPPORT  
QTY 18

10

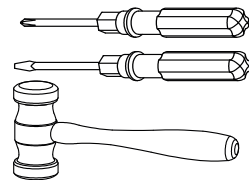


PHILLIPS SCREW  
M4 X 30 mm  
QTY 4

11

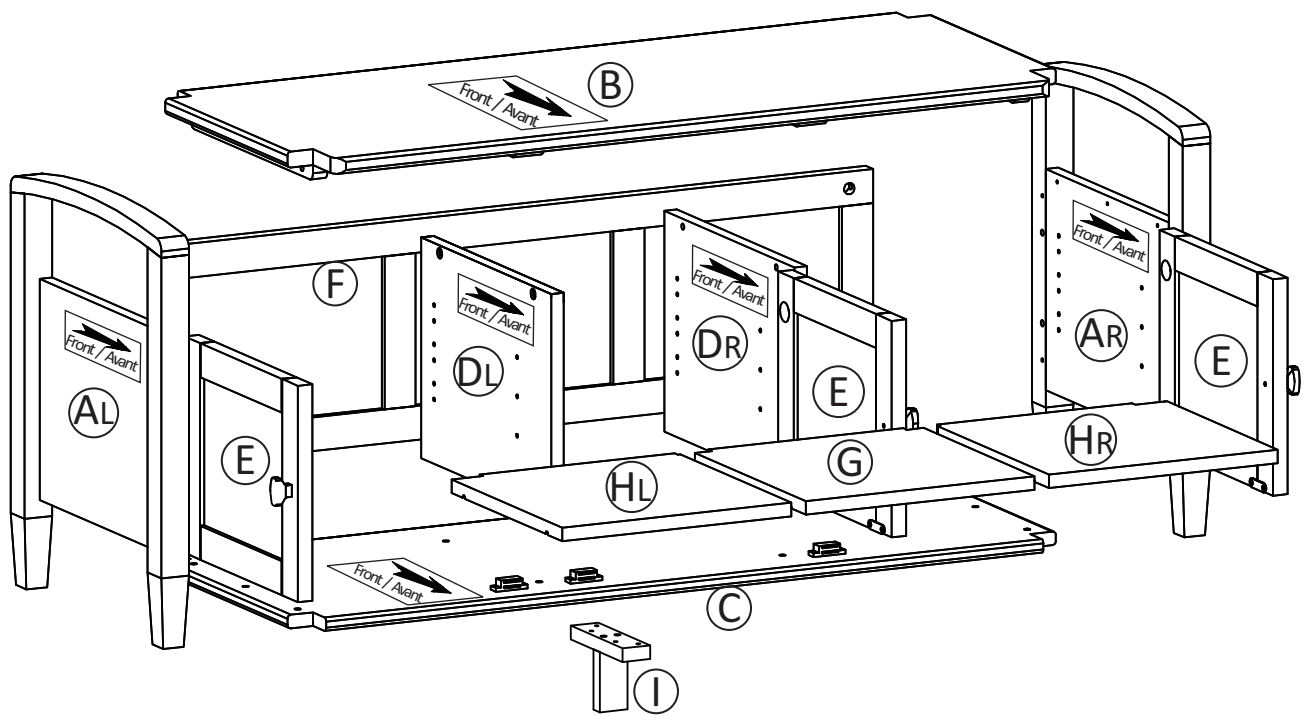


ADJUSTABLE HINGE  
QTY 6 SETS



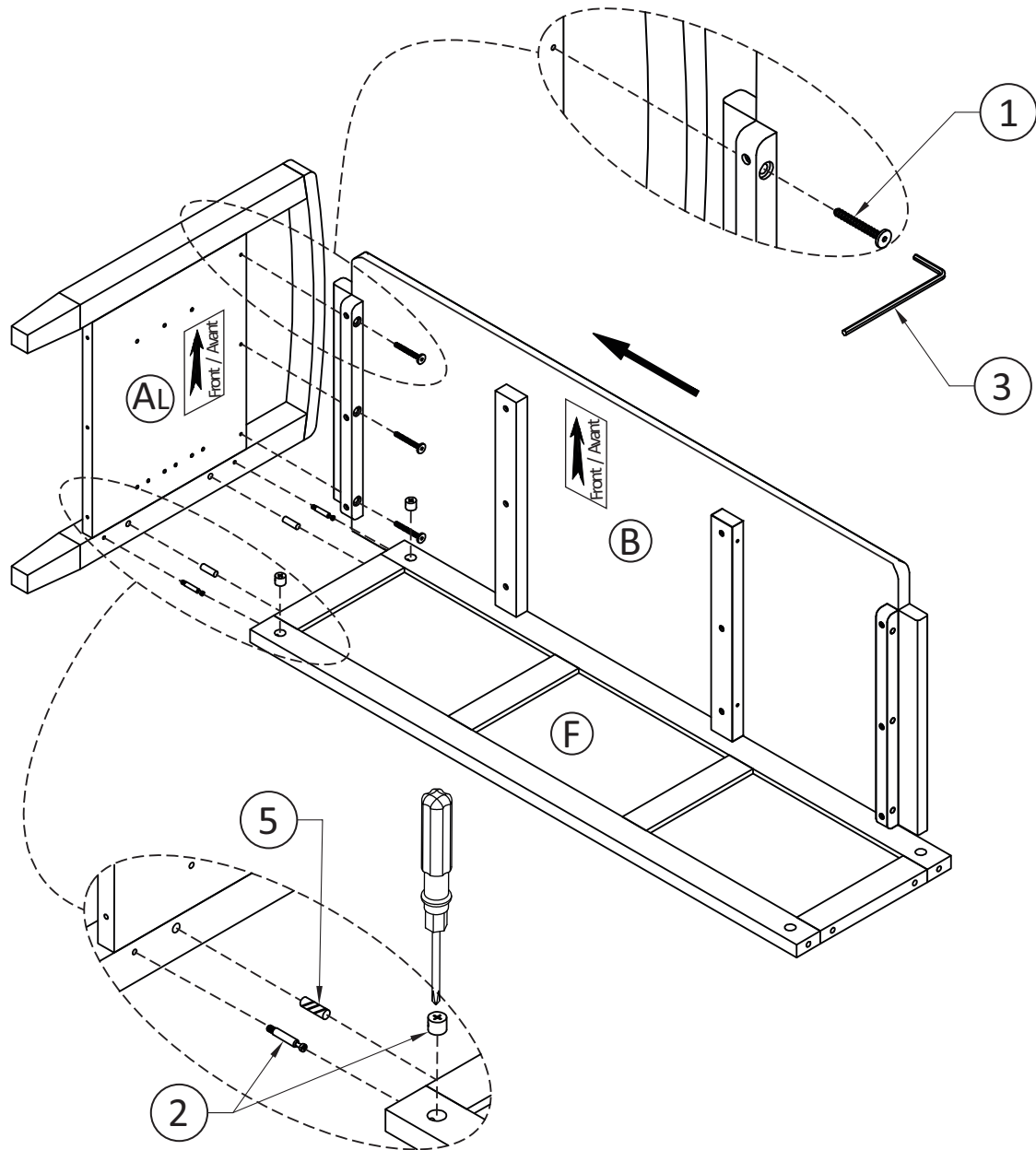
Required -  
Flathead screwdriver  
Phillips screwdriver  
Rubber mallet  
**Not Included**

# COMPONENTS – KEY DIAGRAM



# ASSEMBLY

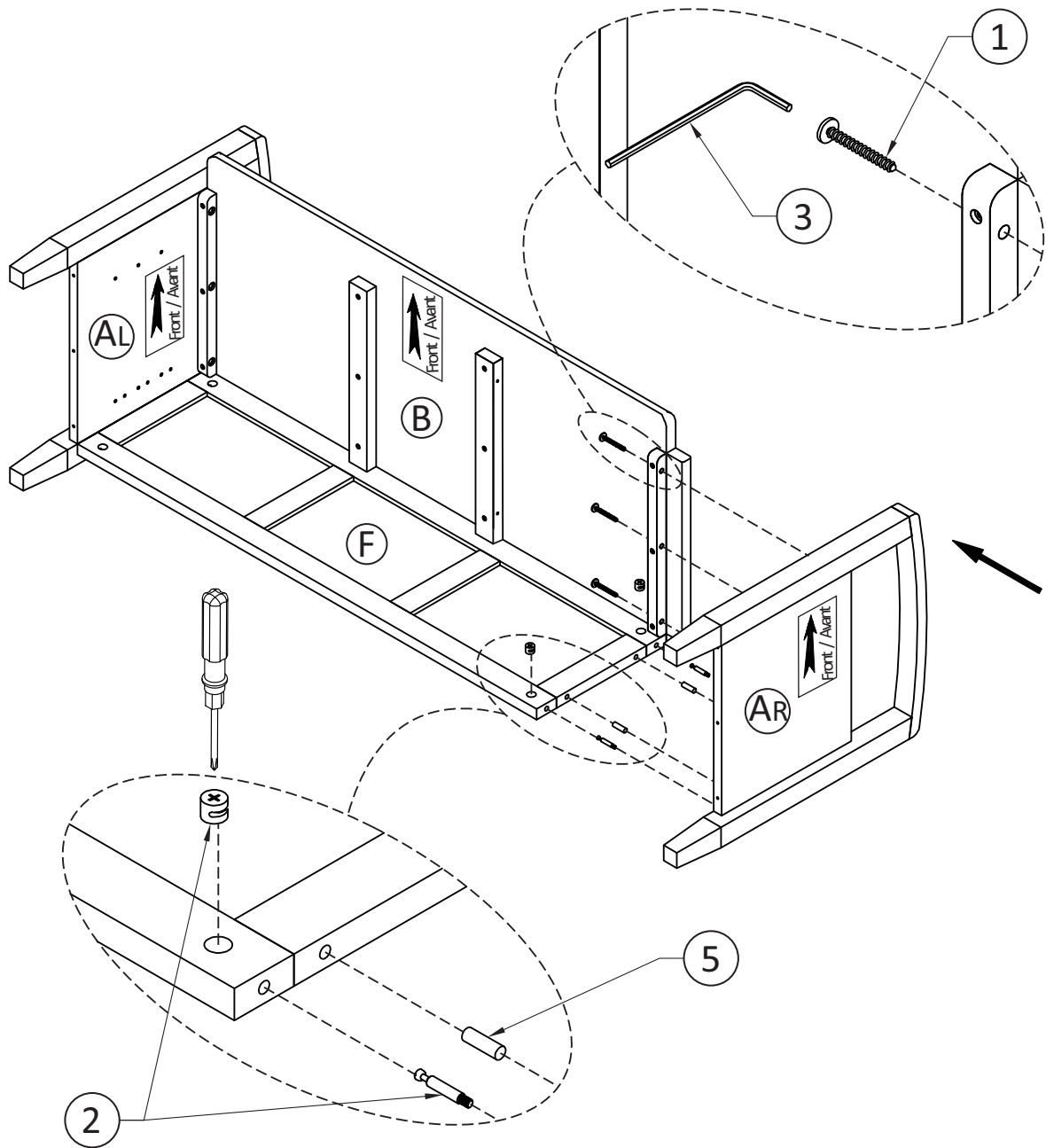
## STEP 1



1. Insert four Dowels (5) into guide holes in the Back (F).
2. Use rubber mallet to tap Dowels (5) into bottom of holes securely. 1/2 length of Dowels should be exposed.
3. Attach Seat (B) to Left Side (AL) using Allen Key Screws (1) through guide holes on Back (F).
4. Attach two Cam Lock Pins (2) to Left Side (AL) using pre-drilled holes.
5. Align and insert Cam Lock Pins on Left Side (AL) into guide holes on Back (F).
6. Insert two Cam Locks (2) into guide holes on Back (F).
7. Using a flathead screwdriver to tighten Cam Locks into Pins.

# ASSEMBLY

## STEP 2

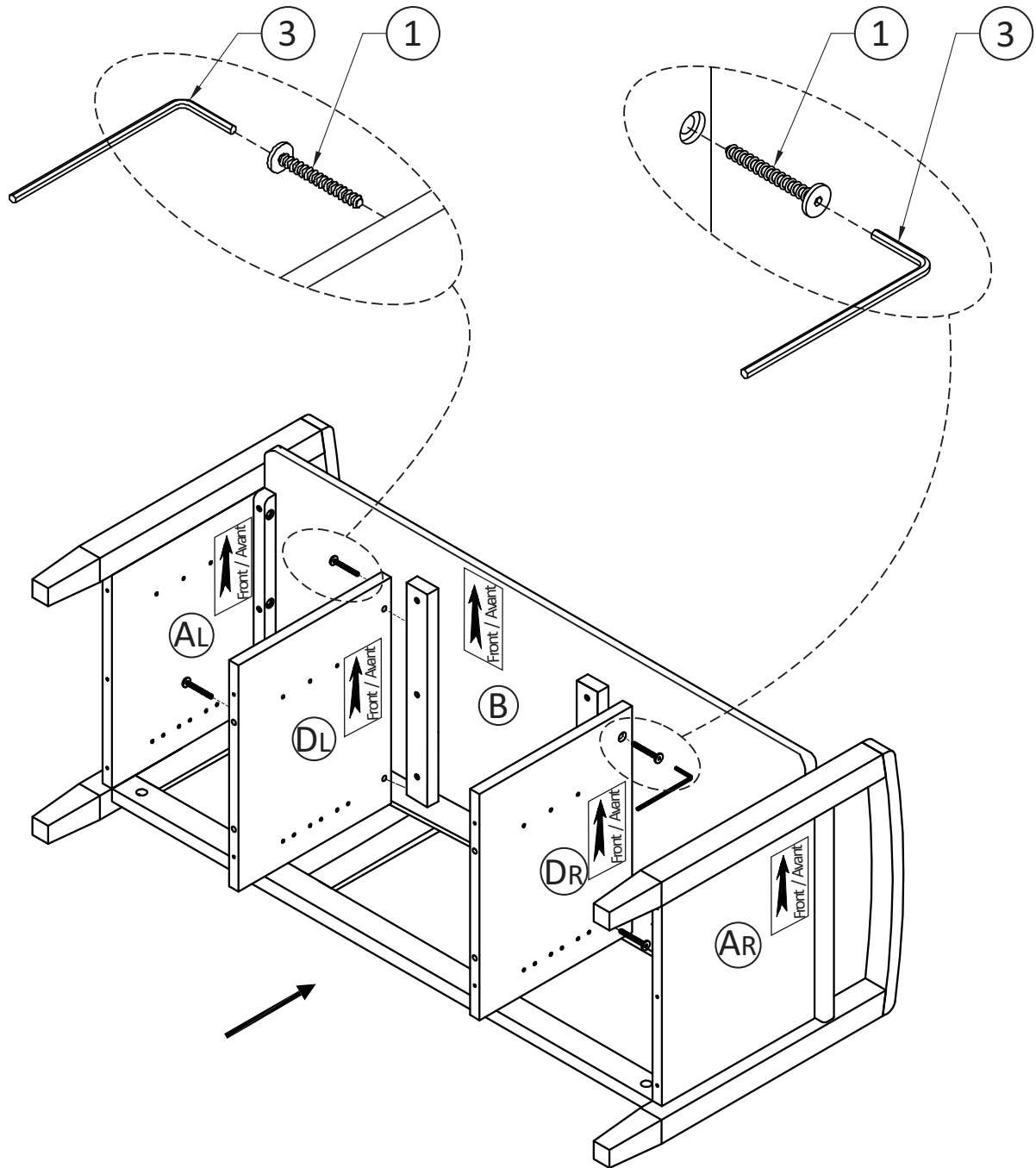


1. To attach Right Side (AR) to Seat (B) and Back (F), repeat steps 1.



# ASSEMBLY

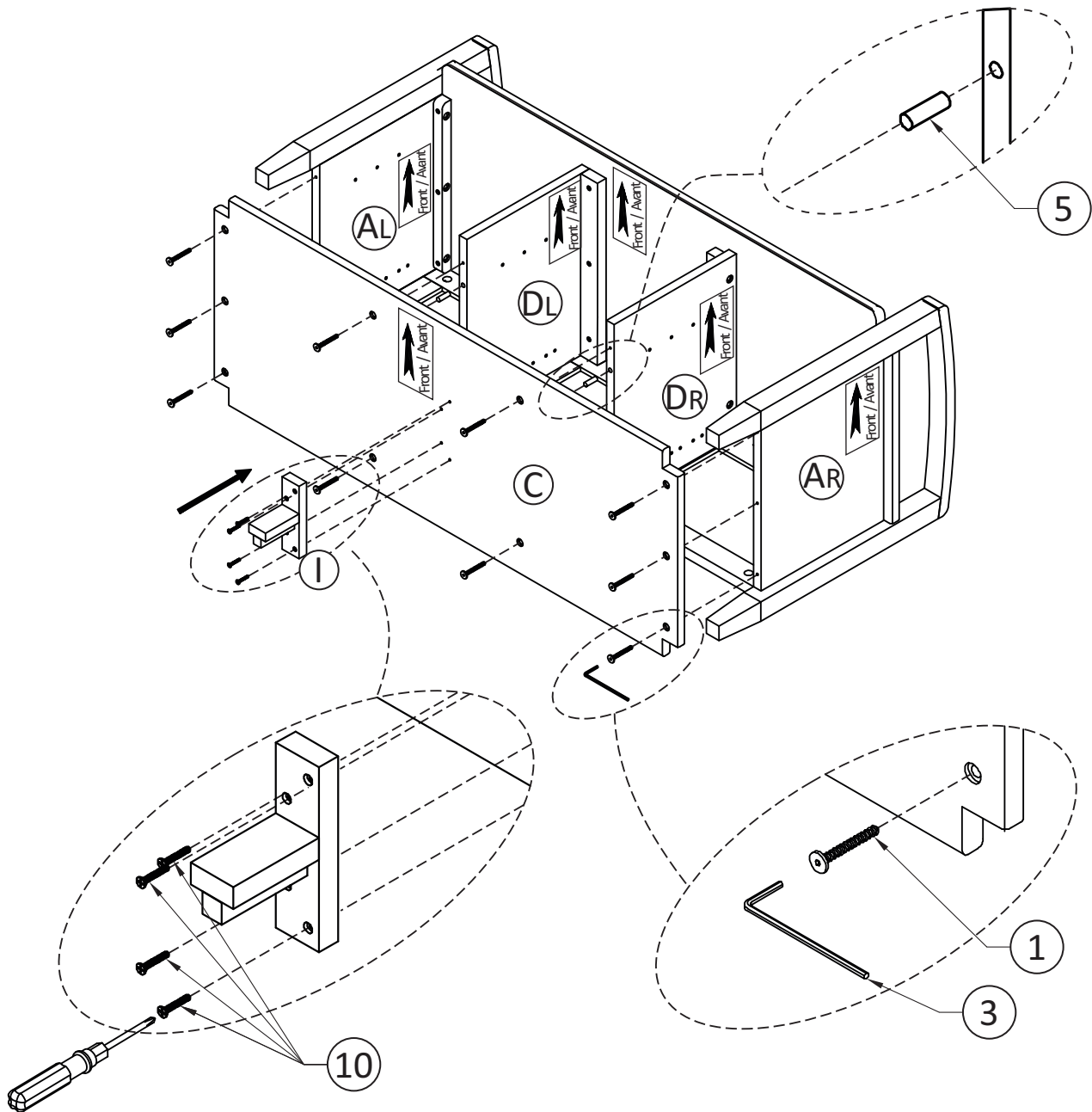
## STEP 3



1. Attach Dividers (DL), (DR) to Seat (B) using Allen Key Screws (1) through guide holes.

# ASSEMBLY

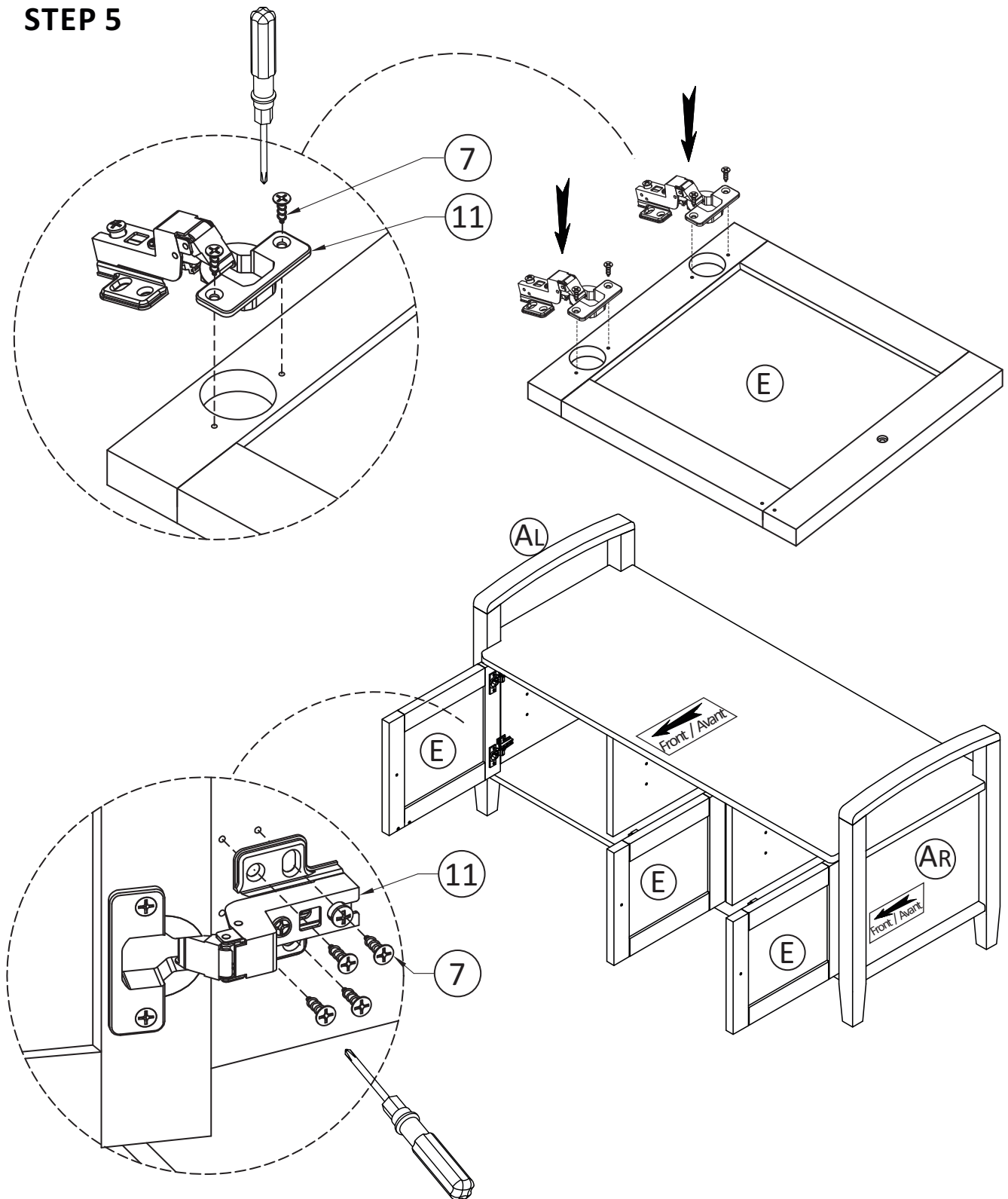
## STEP 4



1. Insert two Wood dowels (5) into guide holes on each Divider (DL, DR) .
2. Use rubber mallet to tap Dowels (5) into bottom of holes securely. 1/2 length of Dowels should be exposed.
3. Attach Bottom Shelf (C) to Sides (AL, AR) and Dividers (DL, DR) using Allen Key Screws (1) through guide holes.
4. Attach Bottom Support Leg (I) into guide holes of Bottom Shelf (C) using four Phillips Screws (10) .
5. Use Phillips screwdriver to tighten Screws. Do not over-tighten.

# ASSEMBLY

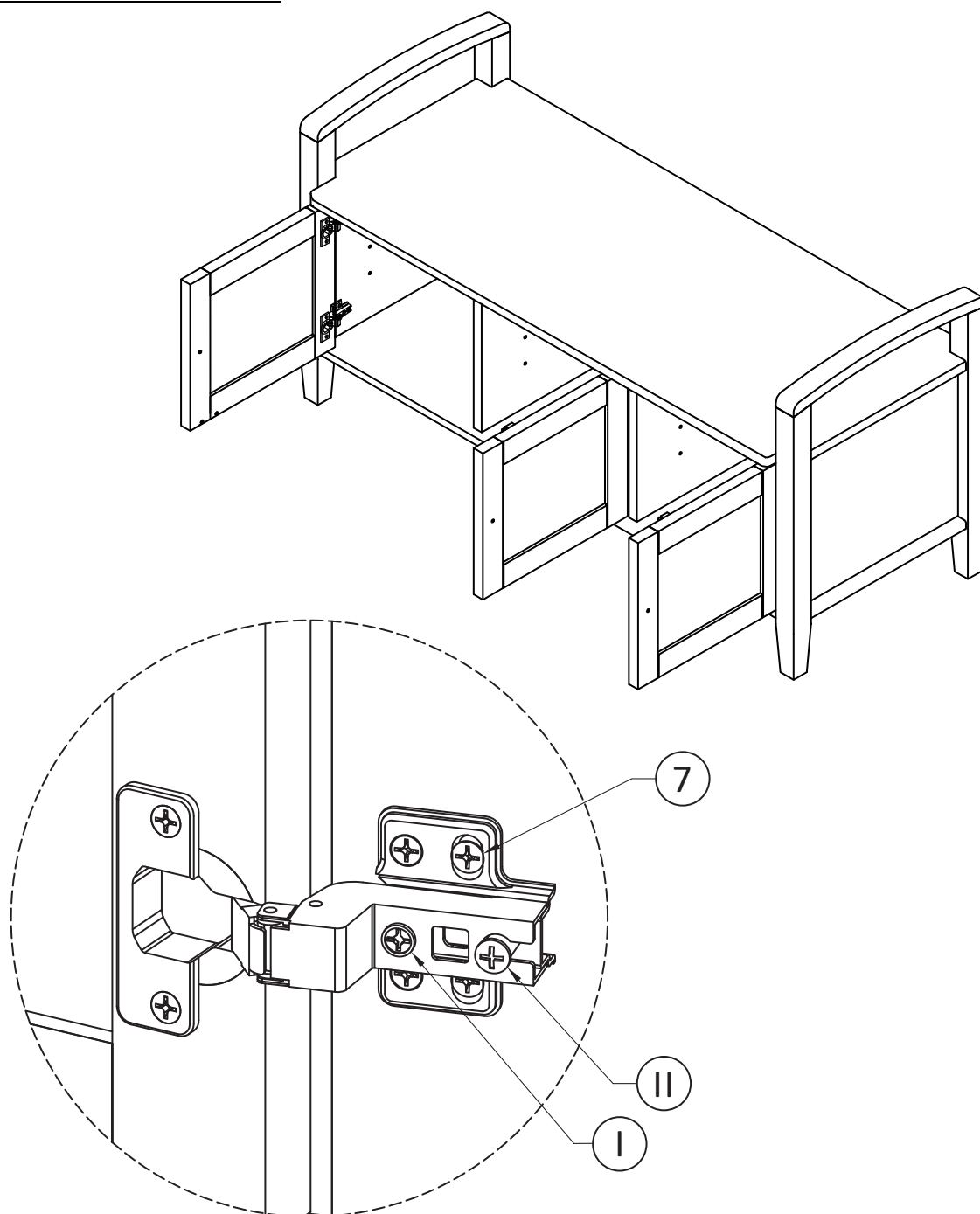
## STEP 5



1. Attach Adjustable Hinges (11) to Doors (E) using Phillips Screws (7) into pre-drilled holes on Doors (E).
2. Attach Adjustable Hinges on Doors (E) to Sides (AL), (AR) using Phillips Screws (7) into pre-drilled holes on Sides (AL), (AR).
3. Use a Phillips screwdriver to tighten screws. Do not over-tighten.

# ASSEMBLY

## IMPORTANT NOTE:



Tighten the Screw marked (II) to fasten hinge. The door may need to be adjusted so that all the spaces between the door and the unit sides are equal. To adjust, follow instructions:

1. Side adjustment 4 mm

To move the door towards the side panel, loosen screw (I) and tighten screw (II) .

To move the door away from the side panel, loosen screw (II) and tighten screw (I) .

2. Depth adjustment 4 mm

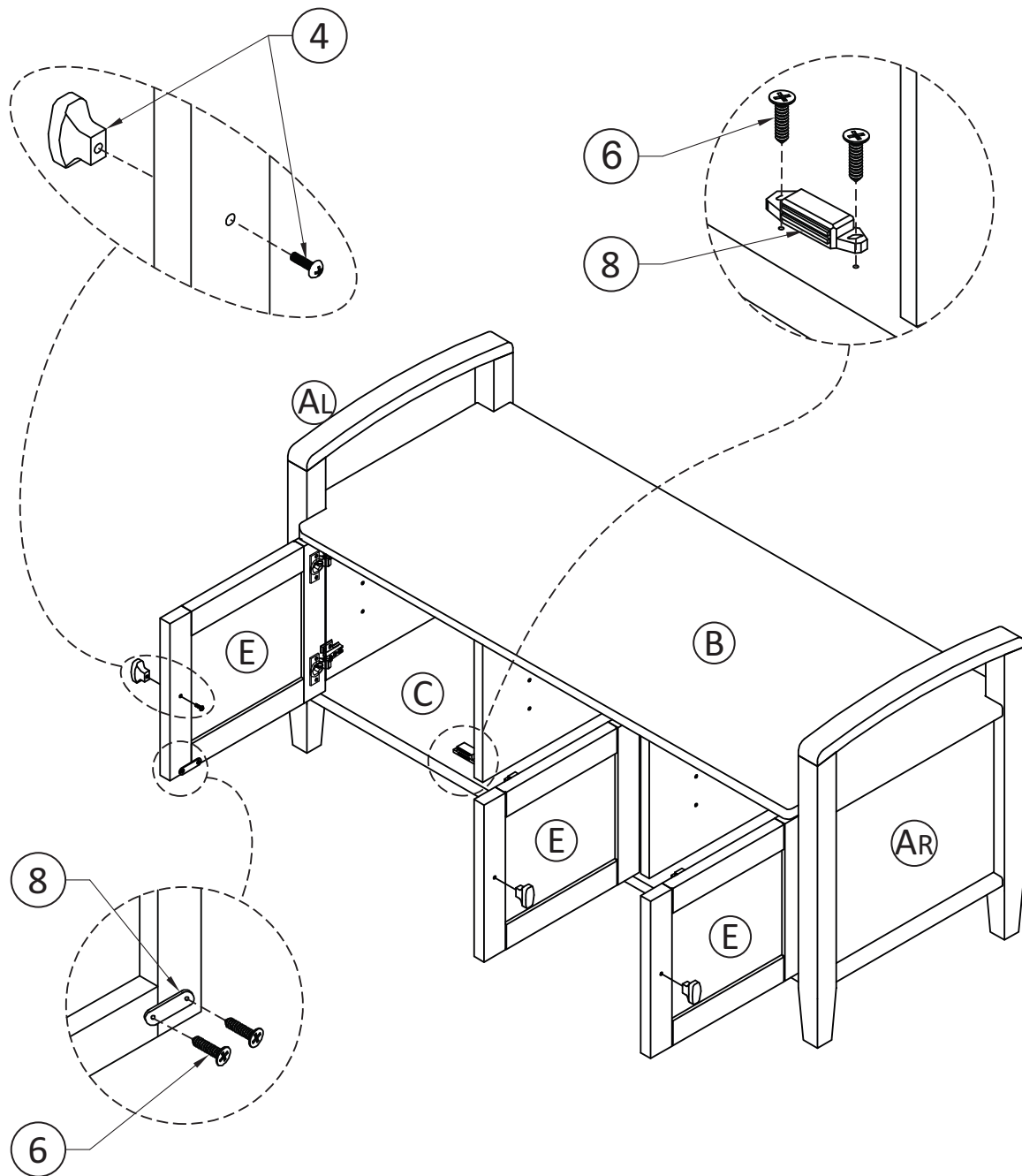
Loosen screw (II) ( just one turn ), adjust door to desired position, re-tighten screw .

3. Height adjustment

Loosen screw (7) , adjust door to desired position, re-tighten screw .

# ASSEMBLY

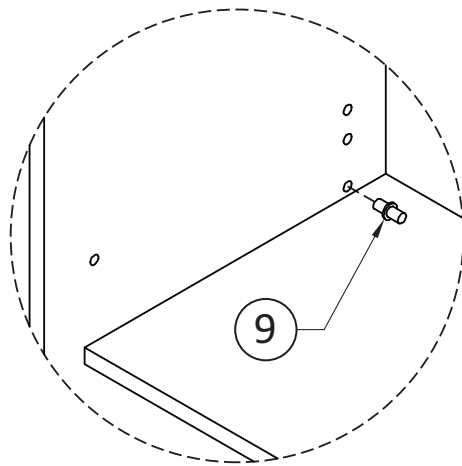
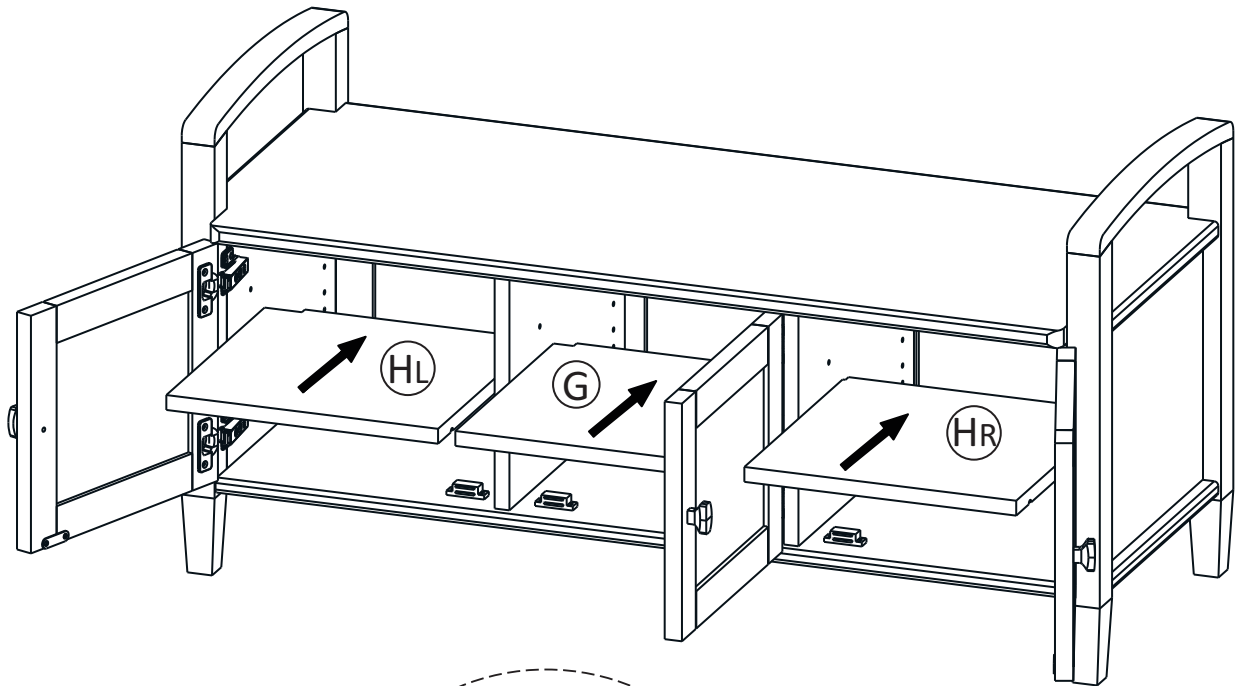
## STEP 6



1. Attach Magnet Plates (8) to bottom corner of Doors (E) using Phillips Screws (6) into pre-drilled holes on Doors (E).
2. Attach Magnets (8) using Phillips Screws (6) into pre-drilled holes on Bottom Shelf (C).
3. Use a Phillips screwdriver to attach Handles (4) to Doors (E).

# ASSEMBLY

## STEP 7



1. Use four Shelf Supports (9) for each Shelf (G) or (HL), (HR) in desired location.
2. Two Shelf Supports (9) may be used on back top of each Shelf (G) or (HL), (HR) as a tipping restraint.

## WARRANTY

Thank you for purchasing a product. These products have been made to demanding, high-quality standards and are guaranteed for domestic use against manufacturing faults for a period of 12 months from the date of purchase. This warranty does not affect your statutory rights.

We reserve the right to repair or replace the defective product, at its discretion.

This product is guaranteed for 12 months if used for normal purposes. Any warranty is invalid if the product has been overloaded or subject to neglect, improper use or an attempted repair by other than an authorized agent. Heavy-duty or daily professional/commercial usage are not guaranteed.

Due to continuous product improvement, we reserve the right to change the product specifications without prior notice.