

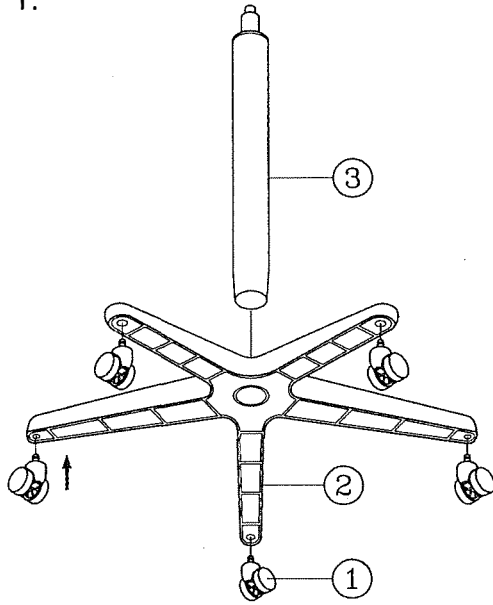
ASSEMBLY INSTRUCTIONS

Remove all items from the carton . Verify all pieces before assembly.

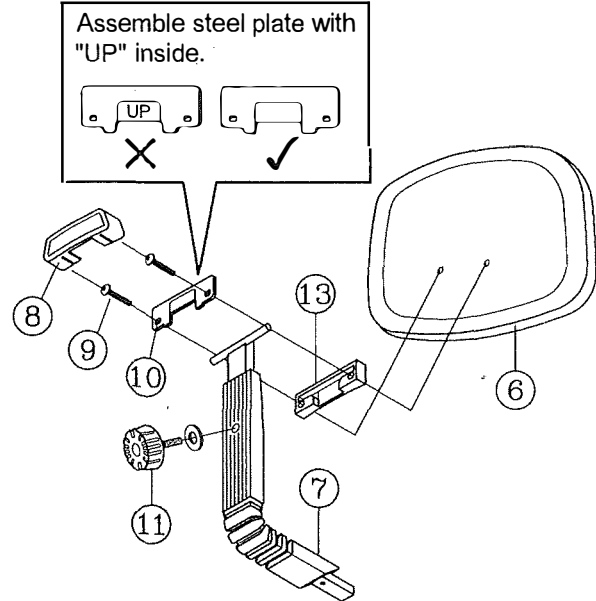
PARTS LIST

KEY	QTY	DESCRIPTION	KEY	QTY	DESCRIPTION	KEY	QTY	DESCRIPTION
1	5	Caster	8	1	Plastic Cover	13	1	Plastic Holder
2	1	Base	9	2	Backrest Screw	14	1	Kneeling Cushion
3	1	Gas Cylinder	10	1	Steel Plate	15	1	Kneeling Tube
4	1	Mechanism	11	1	Backrest Height Adj. Knob + Washer	16	10	Mechanism & Kneeling Cushion Screw
5	1	Seat Cushion	12	1	Seat Depth Adj. Knob + Washers	17	1	M5 Size Allen Wrench
6	1	Backrest						
7	1	Backrest Post + Cover						

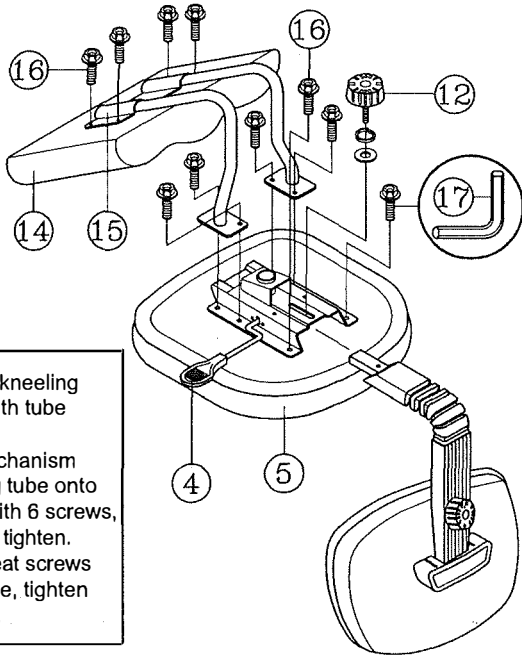
STEP 1.



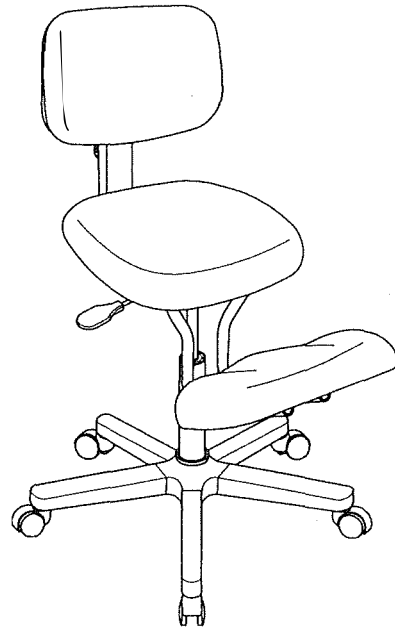
STEP 2.



STEP 3.



1. Assemble kneeling cushion with tube first.
2. Attach mechanism & kneeling tube onto the seat with 6 screws, but do not tighten.
3. After all seat screws are in place, tighten all screws.



PREVENTIVE MAINTENANCE AND WARNING!

- USE THIS PRODUCT ONLY FOR SEATING ONE PERSON AT A TIME.
- DO NOT USE THIS CHAIR AS A STEP STOOL / LADDER.
- DO NOT SIT ON ANY PART OF THE CHAIR EXCEPT THE SEAT.
- DO NOT USE CHAIR ON UNEVEN FLOOR SURFACES.
- DO NOT USE CHAIR UNLESS ALL BOLTS, SCREWS AND KNOBS ARE TIGHTENED.
- EVERY SIX MONTHS, PLEASE MAKE SURE ALL BOLTS, SCREWS AND KNOBS ARE FULLY TIGHTENED TO ENSURE STABILITY.
- IF ANY PARTS ARE MISSING, BROKEN, DAMAGED OR WORN, STOP USE OF THE PRODUCT UNTIL REPAIRS ARE MADE USING FACTORY AUTHORIZED PARTS.
- DISPOSE OF PACKAGING PROPERLY. PLASTIC BAG IS NOT A TOY. DO NOT USE PLASTIC BAG AS HEAD COVERING - IT MAY CAUSE SUFFOCATION.
- FAILURE TO FOLLOW THESE WARNINGS COULD RESULT IN SERIOUS INJURY.
- NOTE: SOME SCREWS MAY BE PREASSEMBLED. IF PREASSEMBLED, IGNORE ASSEMBLY INSTRUCTIONS.