





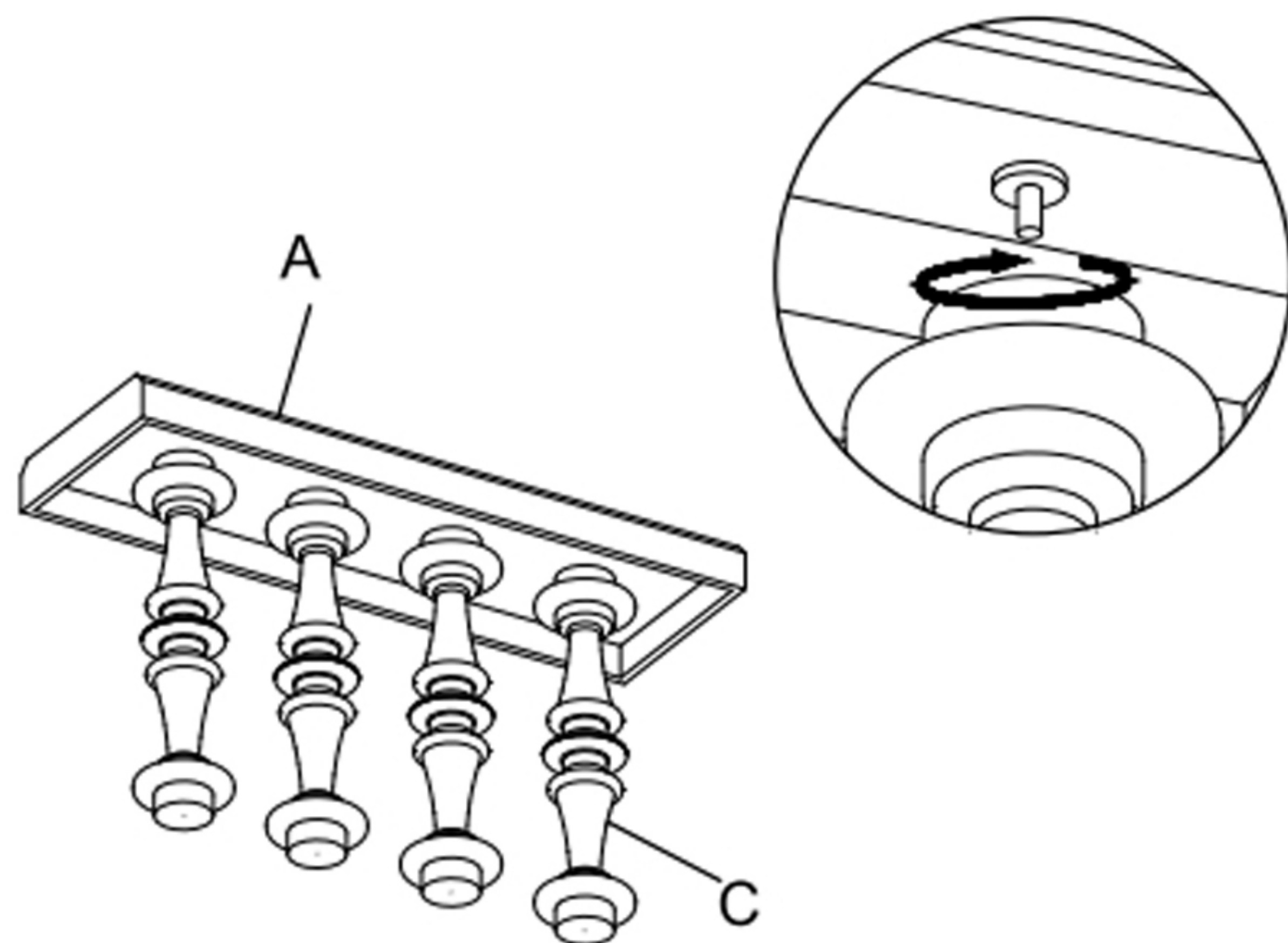


<p>Ax1</p> 	<p>Bx1</p> 	<p>Cx4</p> 	
<p>Dx4</p> 	<p>Ex4</p> 	<p>Fx1</p> 	<p>EXTRA HARDWARE</p> <p>Dx2 Ex2</p>

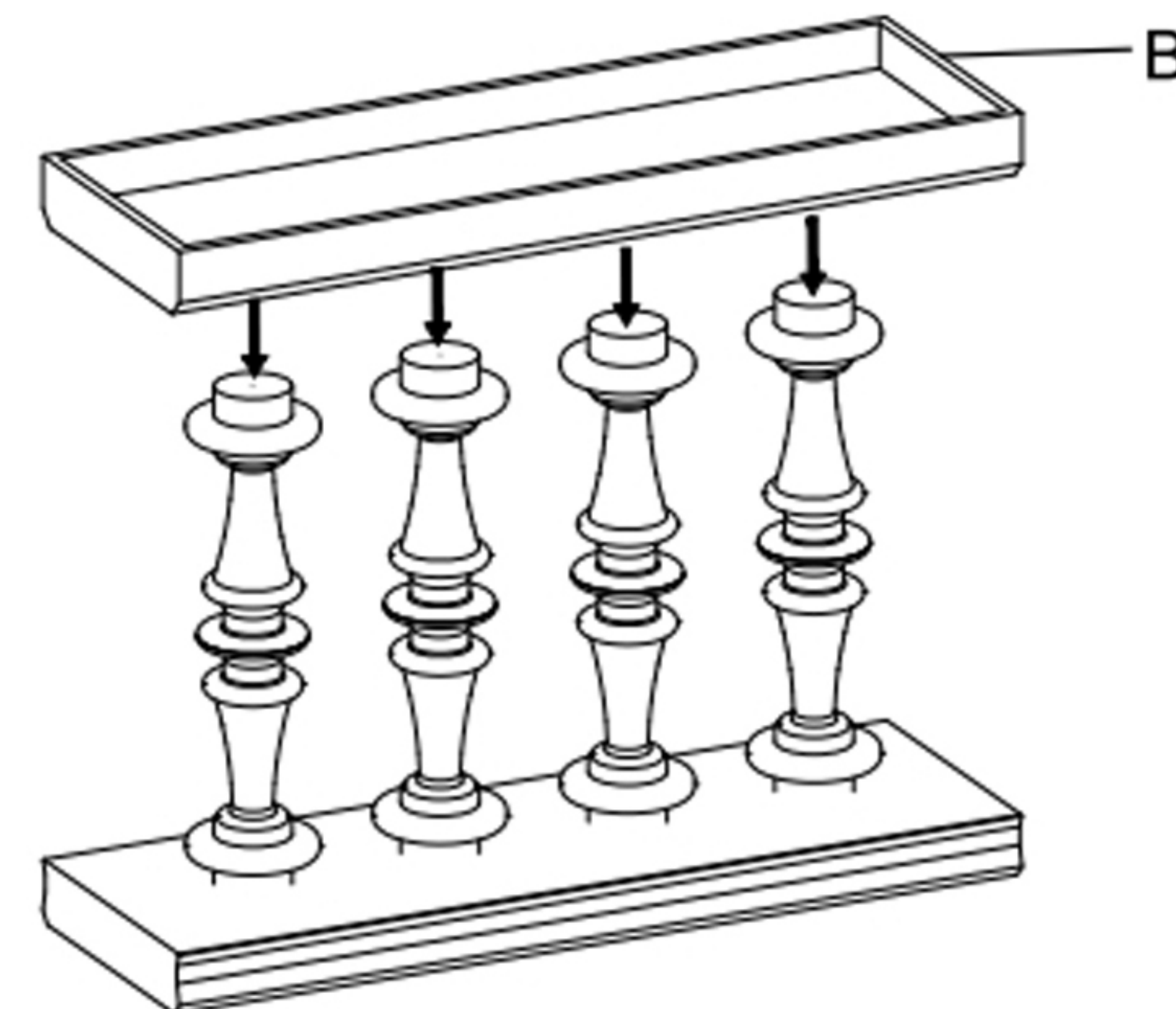
Note

- EN: 1. Please do not tight any bolt unless all bolts are fixed at their respective places.
 2. After fixing the bolts tighten them simultaneously.
 3. Matching Parts Bolt (example A to A)
 4. Two person assembly required.

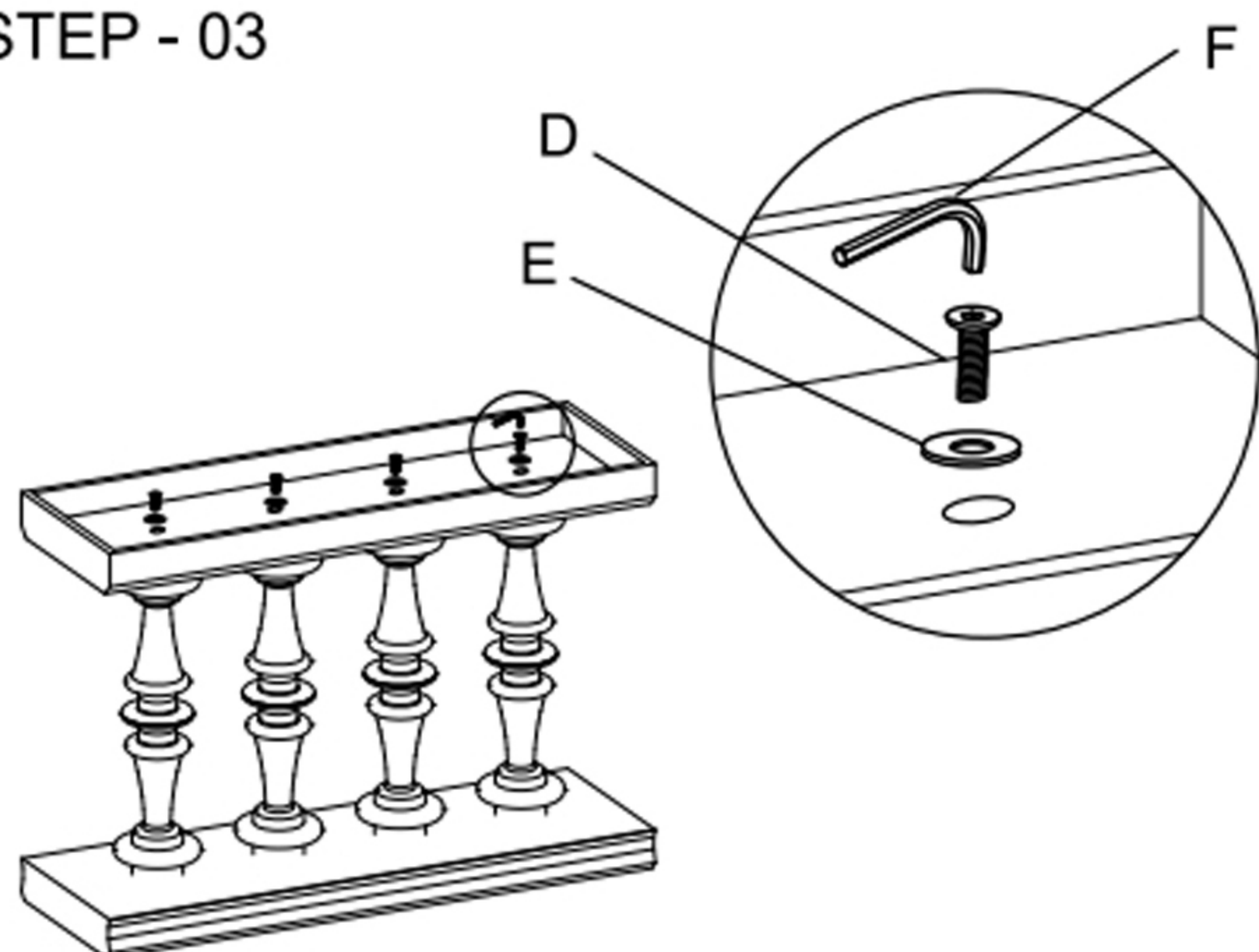
STEP - 01



STEP - 02



STEP - 03



FINAL STEP

