

CARE AND MAINTENANCE

Store outdoor furniture indoors or cover well when not in use.
 Remove wooden furniture from standing water. Dust regularly with small brush or vacuum
 Spills should be taken care of immediately before they harden or stain with a slightly dampened sponge.

NOTICE

- * Please make sure that you have all parts indicated before you begin assembly of this item
- * This item should be assembled on a soft surface to prevent scratching the finish during assembly
- * This item may require periodic tightening










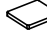





Weight Capacity : 275 Lbs (single seat)
550 Lbs (towperson seat)

Warning : Do not stand on chair

Warning : Do not over torque bolts/screws



Part List and Hardware List

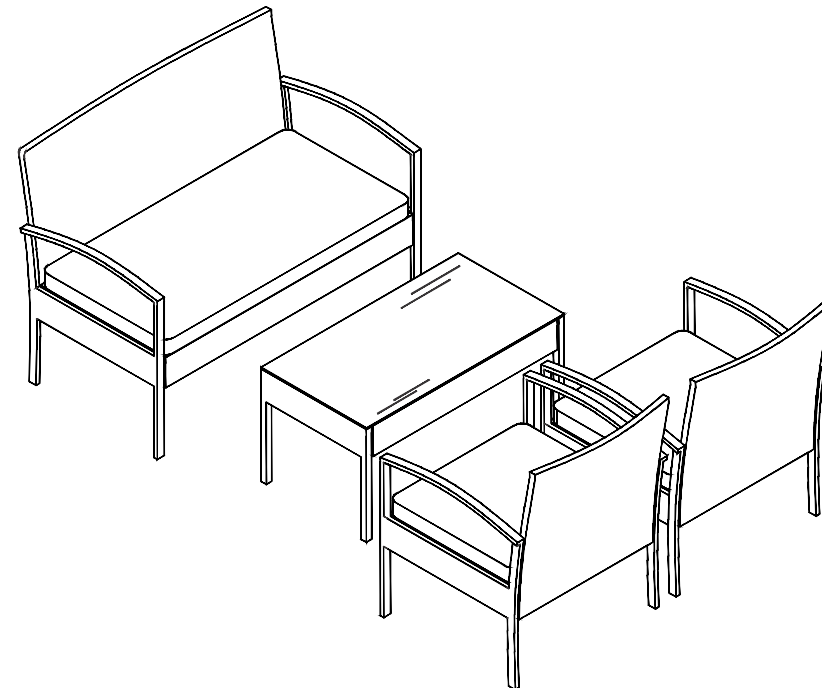
PIECE	DESCRIPTION	PICTURE	QUANTITY
1	Chair/Bench left frame		3X
2	Chair/Bench right frame		3X
3	Bench seat frame		1X
4	Chair seat frame		2X
5	Bench back frame		1X
6	Chair back frame		2X
7	Table feet frame		2X
8	Table side frame		2X
9	Bench seat cushion		1X
10	Chair seat cushion		2X
11	Table glass		1X
A	Allen bolt(M6x40 mm)		34X
B	Allen bolt(M6x60 mm)		6X
C	Flat washer		40X
D	Allen key		3X

Product Dimensions:

39.76"x24.80"x32.67" H (Bench)

22.83"x24.80"x32.67" H (Chair)

30.11"x16.53"x14.76" H (Table)



CARE AND MAINTENANCE

Store outdoor furniture indoors or cover well when not in use.
Remove wooden furniture from standing water. Dust regularly with small brush or vacuum
Spills should be taken care of immediately before they harden or stain with a slightly dampened sponge.










NOTICE

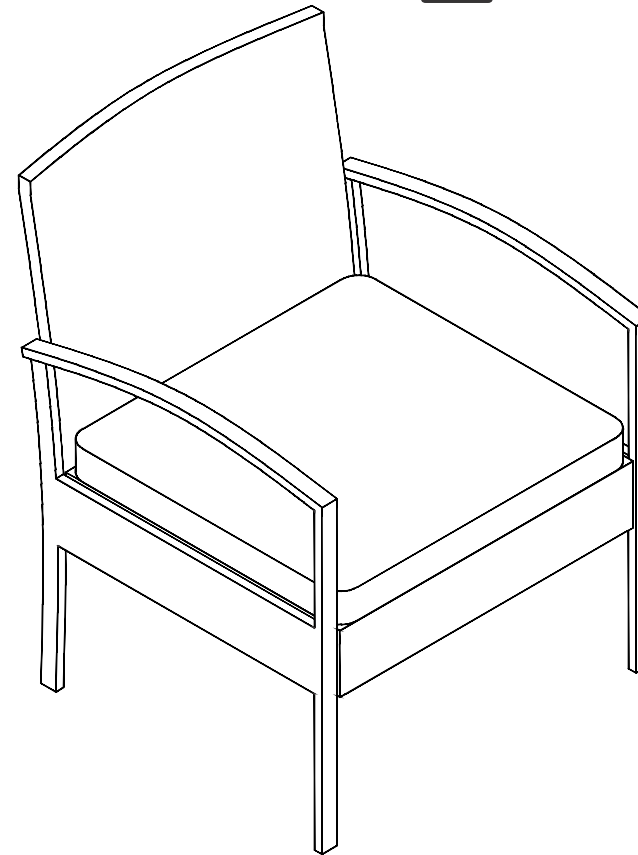
- * Please make sure that you have all parts indicated before you begin assembly of this item
- * This item should be assembled on a soft surface to prevent scratching the finish during assembly
- * This item may require periodic tightening

**Weight Capacity : 275 Lbs (single seat)
550 Lbs (towperson seat)**
Warning : Do not stand on chair
Warning : Do not over torque bolts/screws

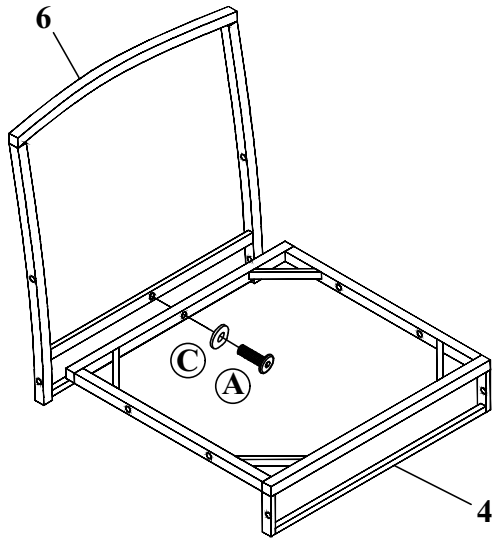


Part List and Hardware List

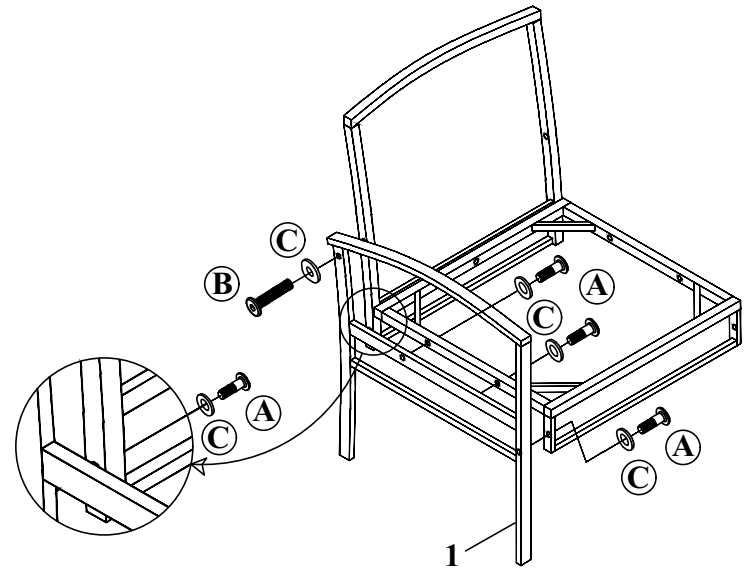
PIECE	DESCRIPTION	PICTURE	QUANTITY
1	Chair/Bench left frame		2X
2	Chair/Bench right frame		2X
4	Chair seat frame		2X
6	Chair back frame		2X
10	Chair seat cushion		2X
A	Allen bolt(M6x40 mm)		18X
B	Allen bolt(M6x60 mm)		4X
C	Flat washer		22X
D	Allen key		1X



1 x2



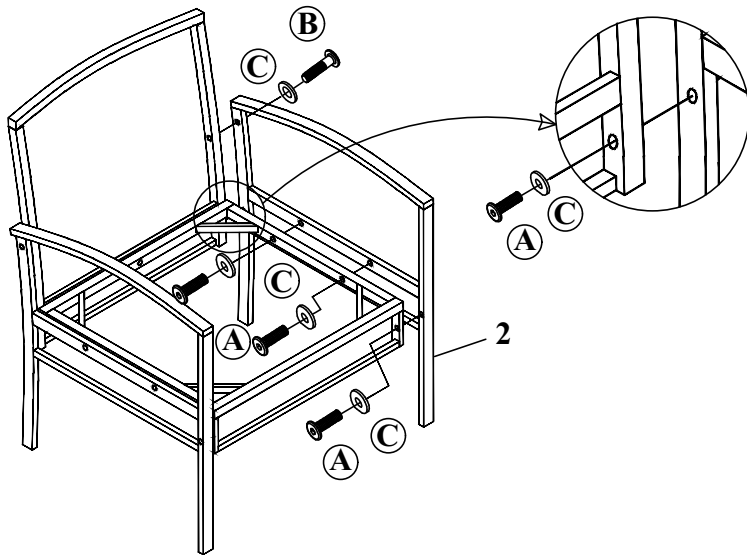
2 x2



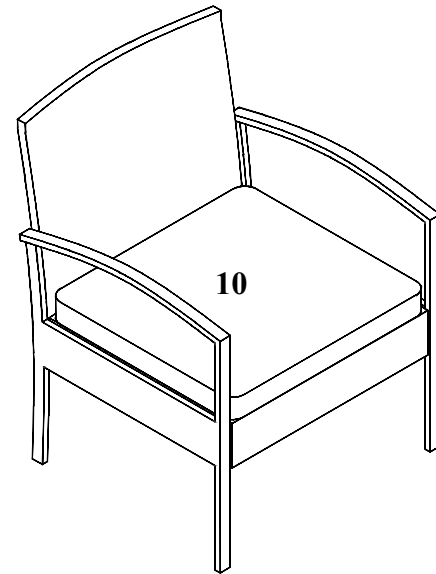
Step 1
Connect Chair back frame (6) & Chair seat frame (4), tighten Bolt (A) with Allen Key (D)

Step 2
Connect part from Step 1 & Left frame (1), tighten Bolt (A), Bolt (B) with Allen key (D)

3 x2



4 x2



Step 3
Connect part from Step 2 & Right frame (2), tighten Bolt (A), Bolt (B) with Allen key (D)

Step 4
Put on Chair seat cushion (10) to complete Chair