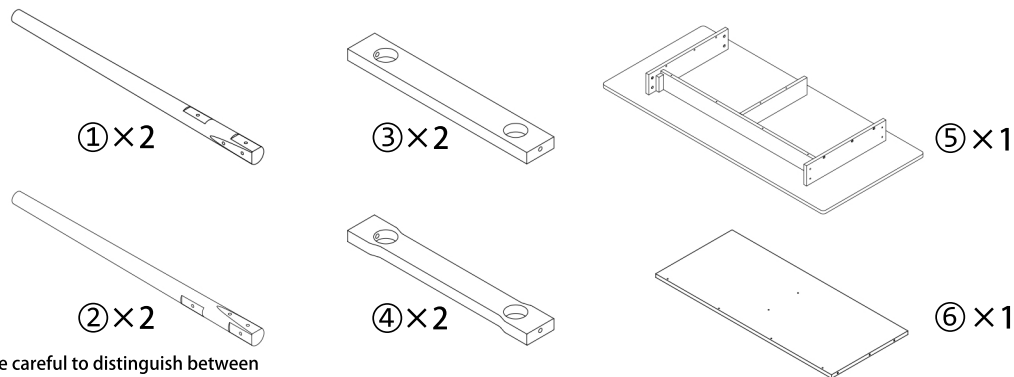
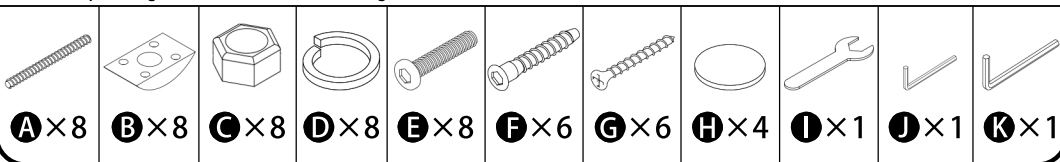


ASSEMBLY INSTRUCTION

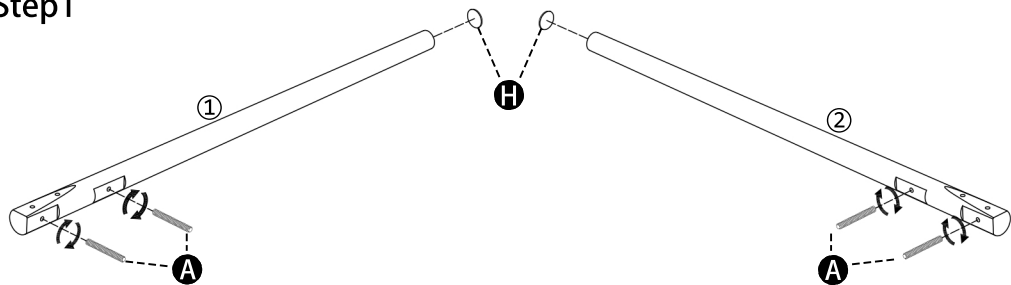


(Be careful to distinguish between the corresponding screw holes on the table legs)



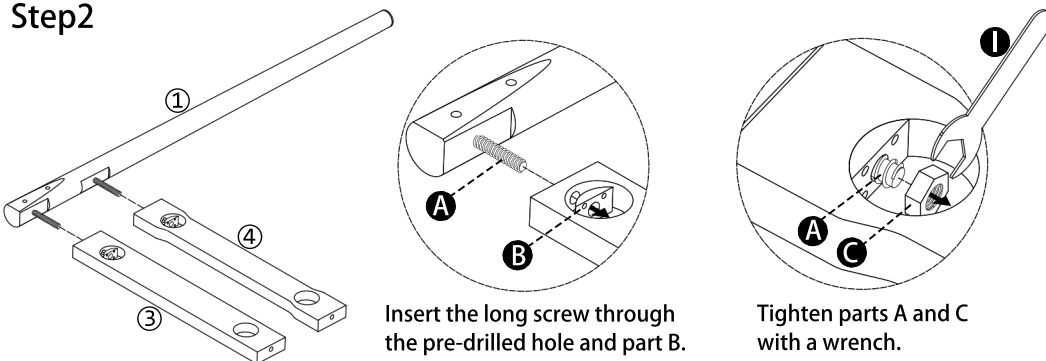
Installation Steps

Step1



Screw in the long screws and glue on the foot mats.

Step2

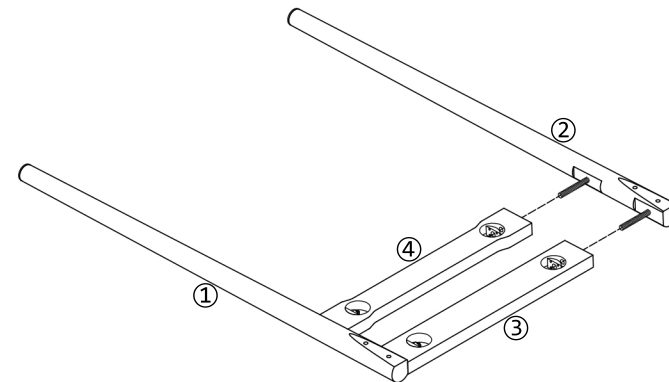


Insert the long screw through the pre-drilled hole and part B.

Tighten parts A and C with a wrench.

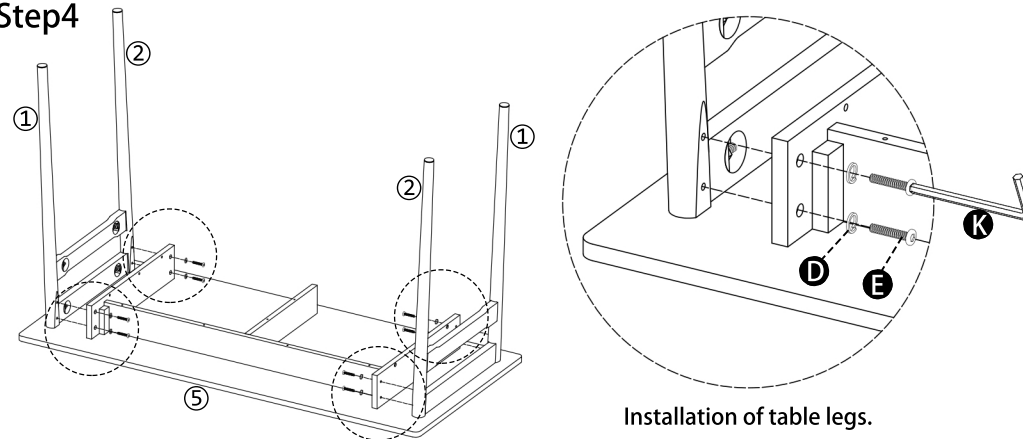
Installation Steps

Step3



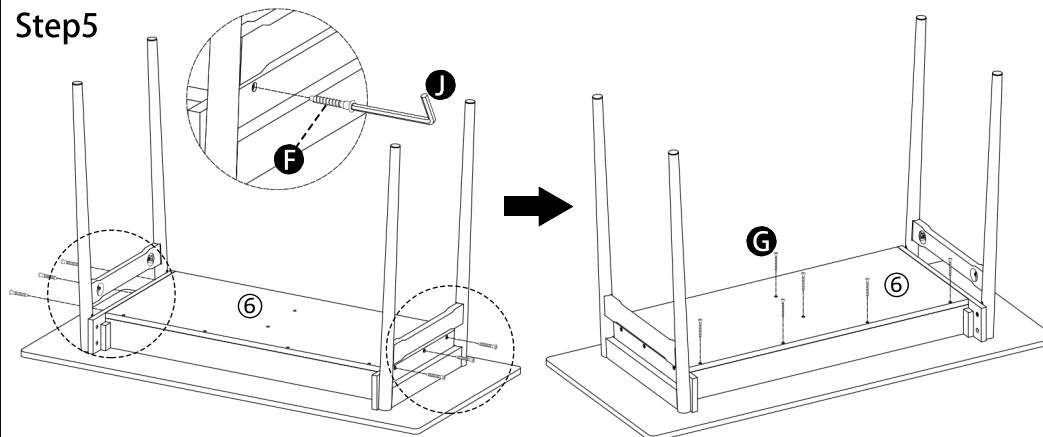
Connecting parts ② ③ ④.
(The installation method is the same as Step 2.)

Step4



Installation of table legs.

Step5



Connecting part ⑥.