

ASSEMBLY INSTRUCTIONS

MODEL : DINING CHAIR

IMPORTANT NOTE :

- * PLACE ALL WOODEN PARTS ON A CLEAN AND SMOOTH SURFACE SUCH AS A RUG OR CARPET TO AVOID THE PARTS FROM BEING SCRATCHED.
- * BEFORE YOU BEGIN, KINDLY FOLLOW THE ASSEMBLY INSTRUCTIONS STEP BY STEP.
- * DO NOT TIGHTEN ALL SCREWS UNTIL THE CHAIR IS FULLY SET-UP.

HARDWARE LIST			PART LIST		
A	JCBC M6 x 60mm + S/W M6 + F/W M6 x 13mm	4PCS	1	SIDE FRAME (L&R)	2PCS
B	JCBC M6 x 30mm + S/W M6 + F/W M6 x 13mm	4PCS	2	BOX SEAT	1PC
C	JCBC SCREW M6 x 20mm	4PCS	3	BACK REST	1PC
D	WOOD DOWEL M8 X 20mm	4PCS	4	CUSHION SEAT	1PC
E	ALLEN KEY M4 (Ball Shape)	1PC			

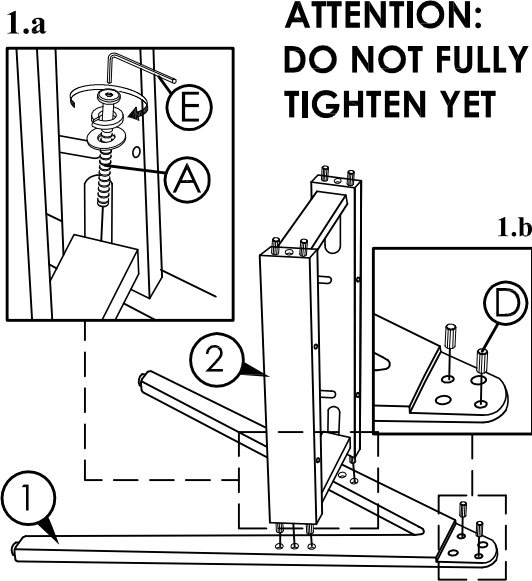
CAUTIONS :

(1) DO NOT FULLY-TIGHTEN THE NUT OR NUT BOLTS INITIALLY UNTIL ALL NUTS OR BOLT IS READY ASSEMBLED.

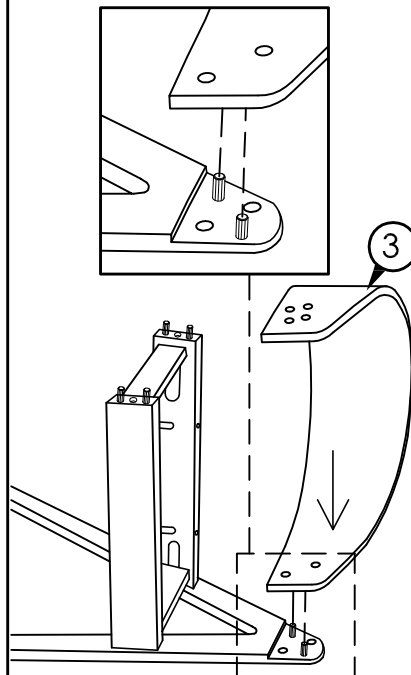
(TO AVOID CAUSING DAMAGES TO THE THREAD, DO NOT OVER-TIGHTEN THE NUTS OR BOLTS.)

(2) KEEP ALL HARDWARE PART OUT OF REACH OF CHILDREN.

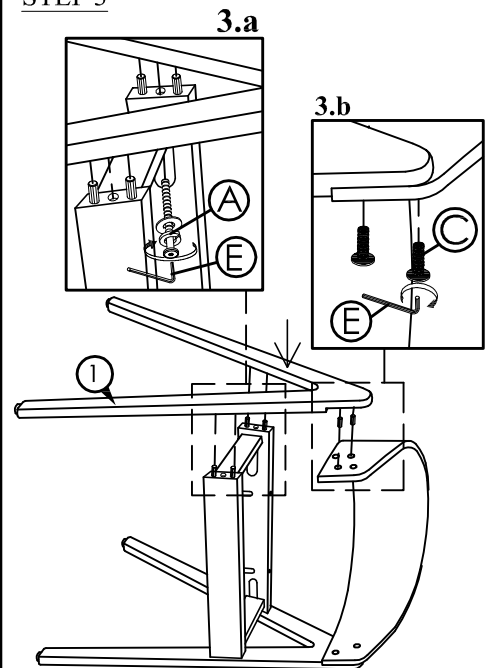
STEP 1



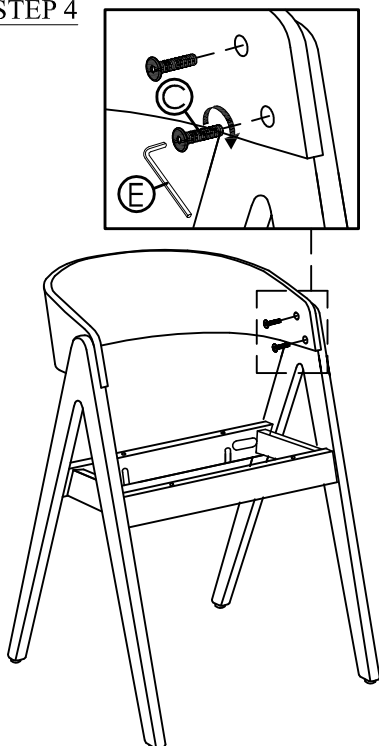
STEP 2



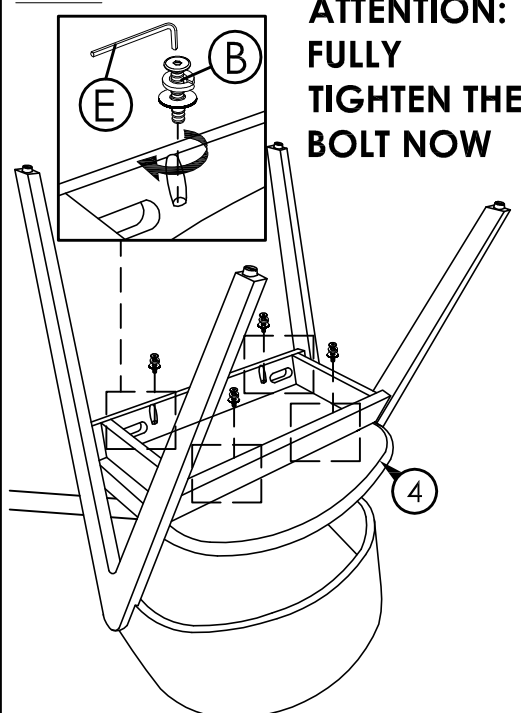
STEP 3



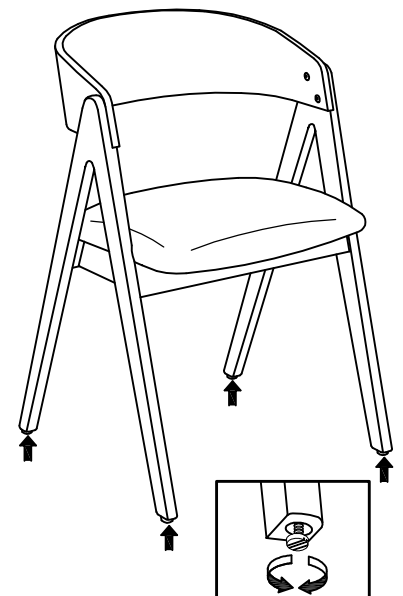
STEP 4



STEP 5



STEP 6



Turn clockwise or anti-clockwise to adjust leg leveller.

COMPLETED CHAIR ASSEMBLY.