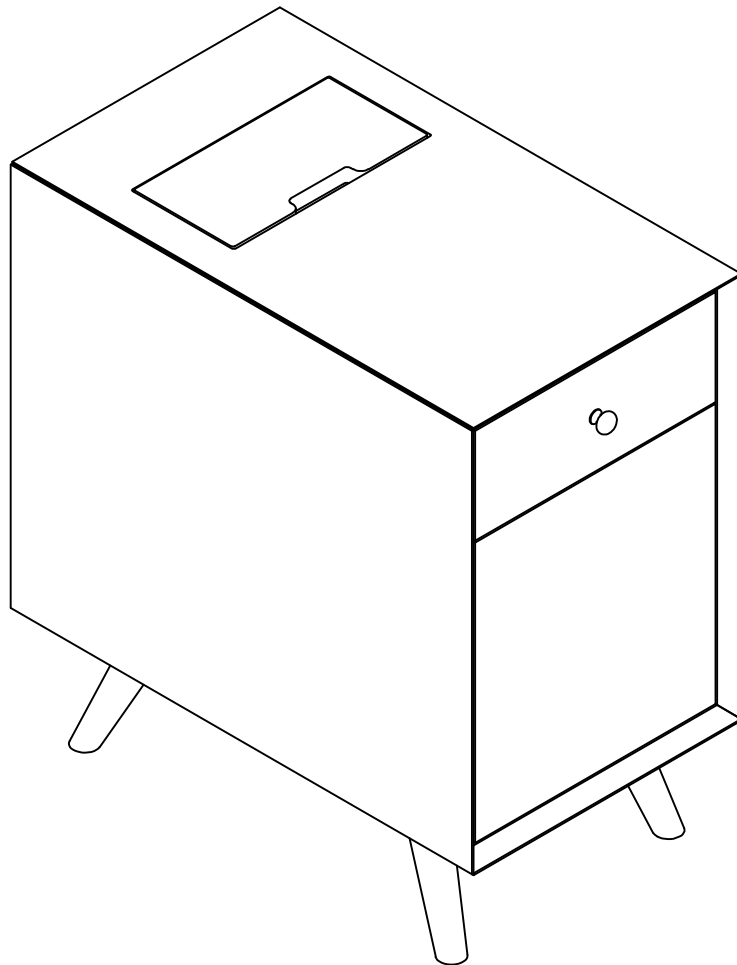


Owner Manual

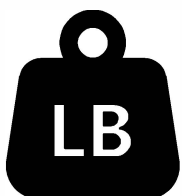


NOTE:

This brochure contains IMPORTANT safety info. Please read and keep for future reference.

MAINTENANCE AND WARNING

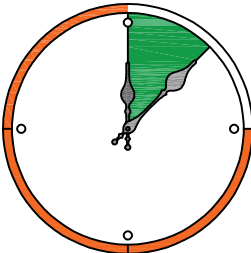
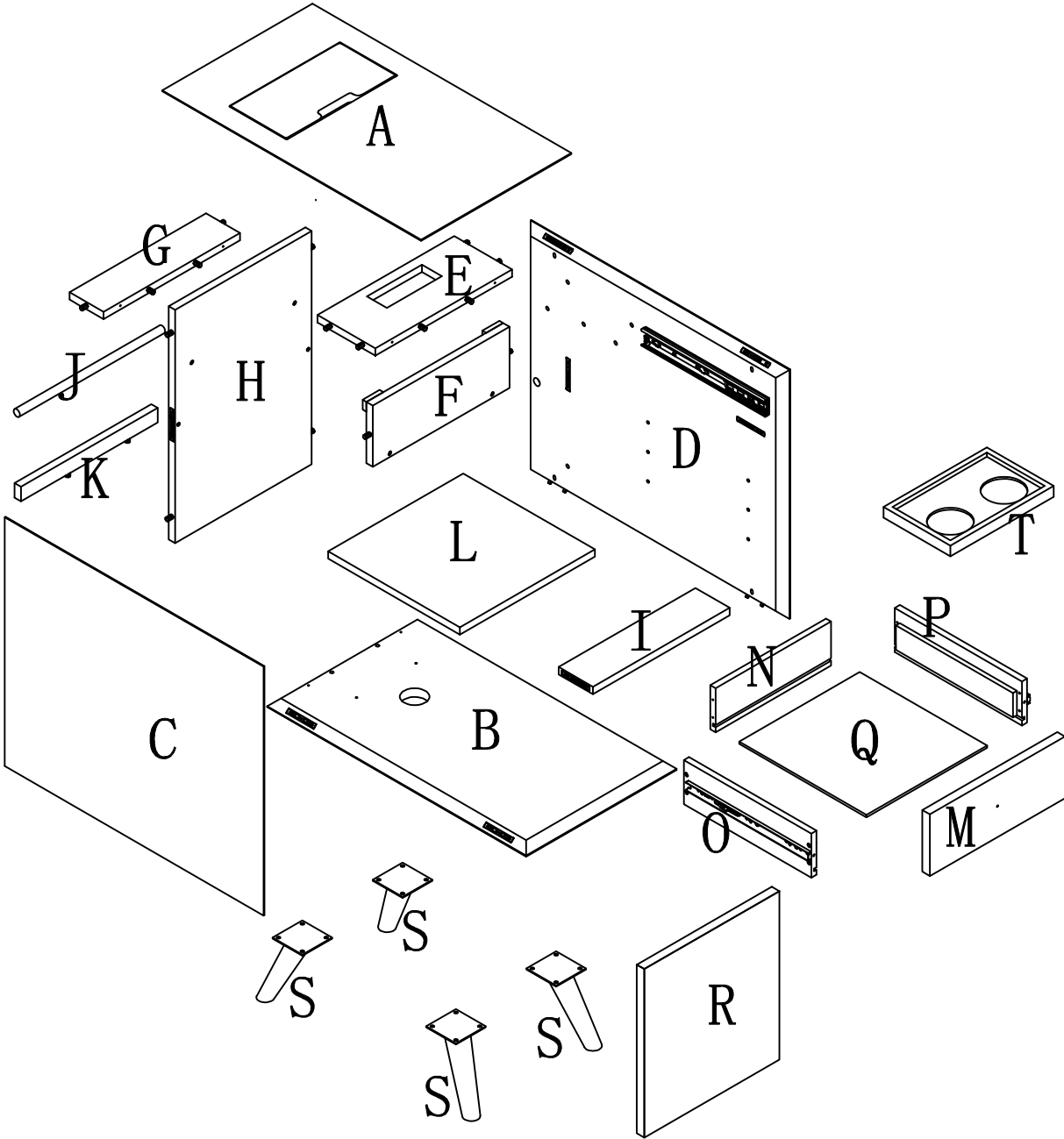
- 1.Keep furniture away from heat sources.
- 2.Do not clean furniture with harsh cleaner or polishes.Do not use detergents,solvents,abrasives,spray packs or leather cleaner. Use non-color mild soa with warm water to clean spills(Mix 1:10 soap to water).
- 3.Do not place furniture under direct sunlight,material will possibly fade over time.
- 4.Do not use on site dry cleaning machine.Children should not climb or jump on the furniture.
- 5.Do not write on furniture that is not protectedby a padded barrier.
- 6.Not for commercial use,only for residential use.



Weight Limitation

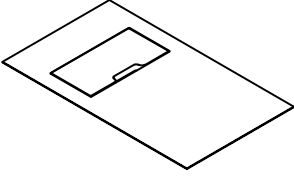
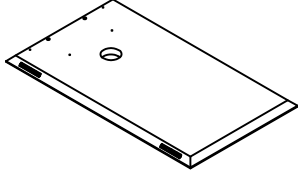
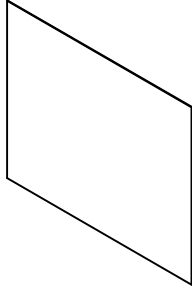
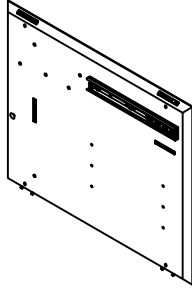
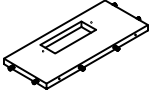
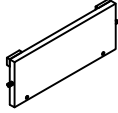
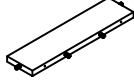
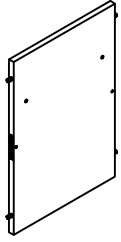
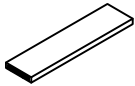


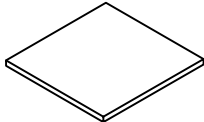
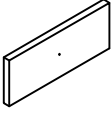
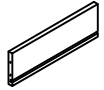
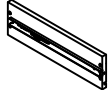
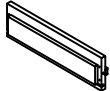
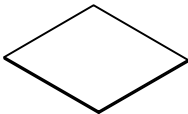
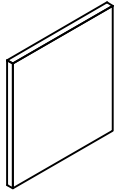

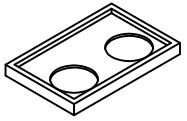
80 LBS

EXPLOSIVE VIEW

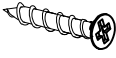
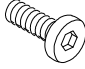


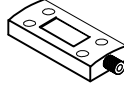

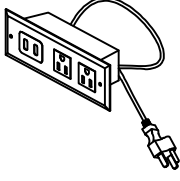
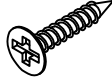

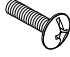


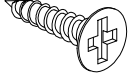


Around 65 min

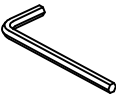
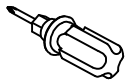
PARTS LIST

A	x1	B	x1	C	x1	D	x1
							
E	x1	F	x1	G	x1	H	x1
							
I	x1	J	x1	K	x1	L	x1
							
M	x1	N	x1	O	x1	P	x1
							
Q	x1	R	x1	S	x4	T	x1
							

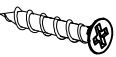
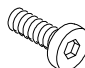


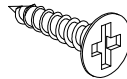
HARDWARE LIST

#1	x16	#2	x16	#3	x16	#4	x16	#5	x1	#6	x4
											
φ8#*1"		φ1/4"*1/2"		φ1/4"		φ1/4"				φ4*19mm	
#7	x1	#8	x2	#9	x1	#10	x1	#11	x4	#12	x2
											
		φ3*12mm				φ5/32"*1"					
#13	x12										
											
φ3.5*14mm*6#											

TOOL LIST

#14	x1	#15	x1
			
M4			

HARDWARE SPARE LIST

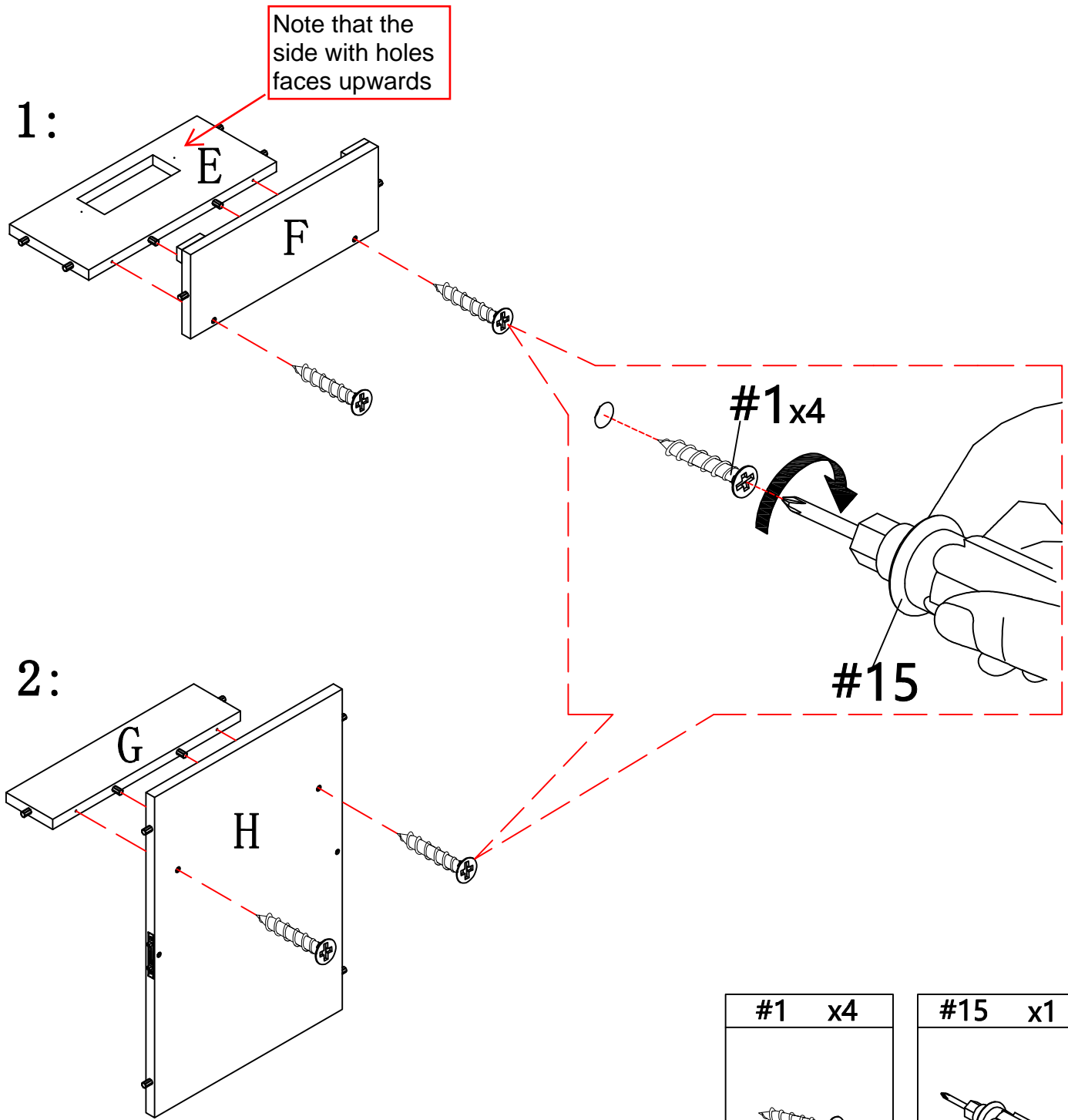
#1	x1	#2	x1	#3	x1	#4	x2	#13	x1
									
φ8#*1"		φ1/4"*1/2"		φ1/4"		φ1/4"		φ3.5*14mm*6#	

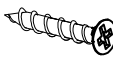
ASSEMBLY INSTRUCTIONS

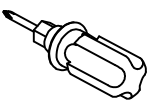
STEP-1

1. connect part(F) to part (E) with screw #1, tight screw with screwdriver #15.

2. connect part (G) to part (H) with screw #1, tight screw with screwdriver #15.



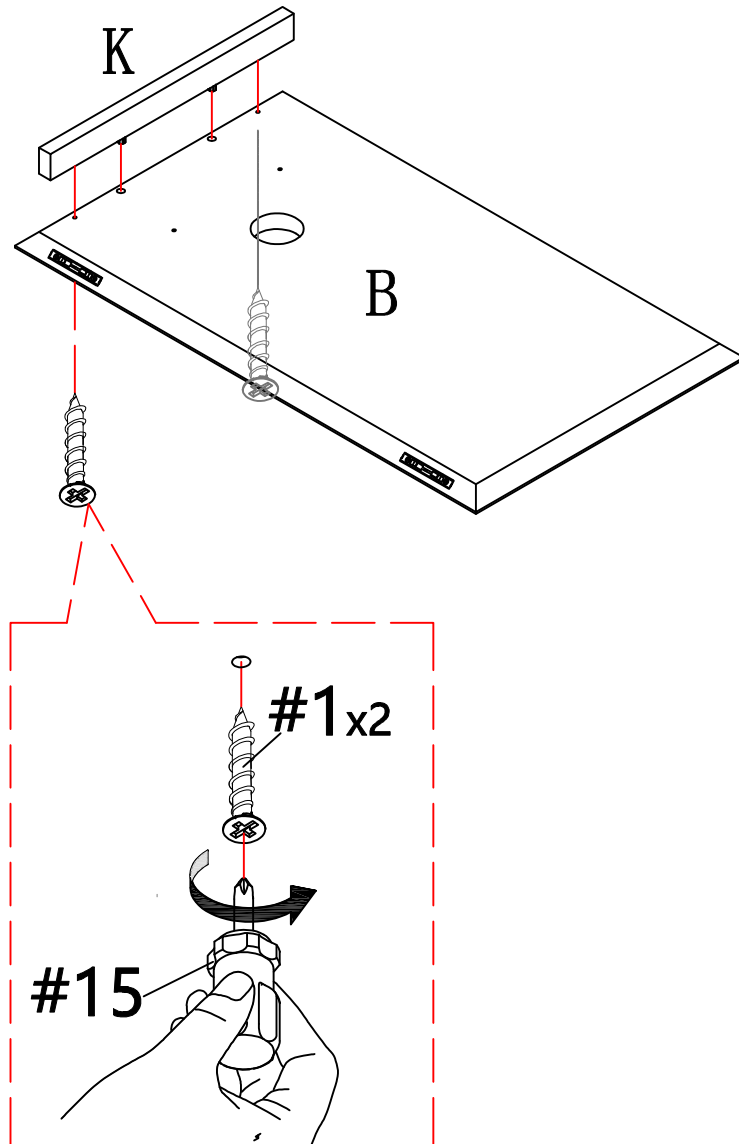
#1	x4
	
ø8#*1"	

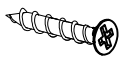
#15	x1
	

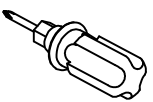
ASSEMBLY INSTRUCTIONS

STEP-2

1. connect part (k) to part (B) with screw #1, tight screw with screwdriver #15.



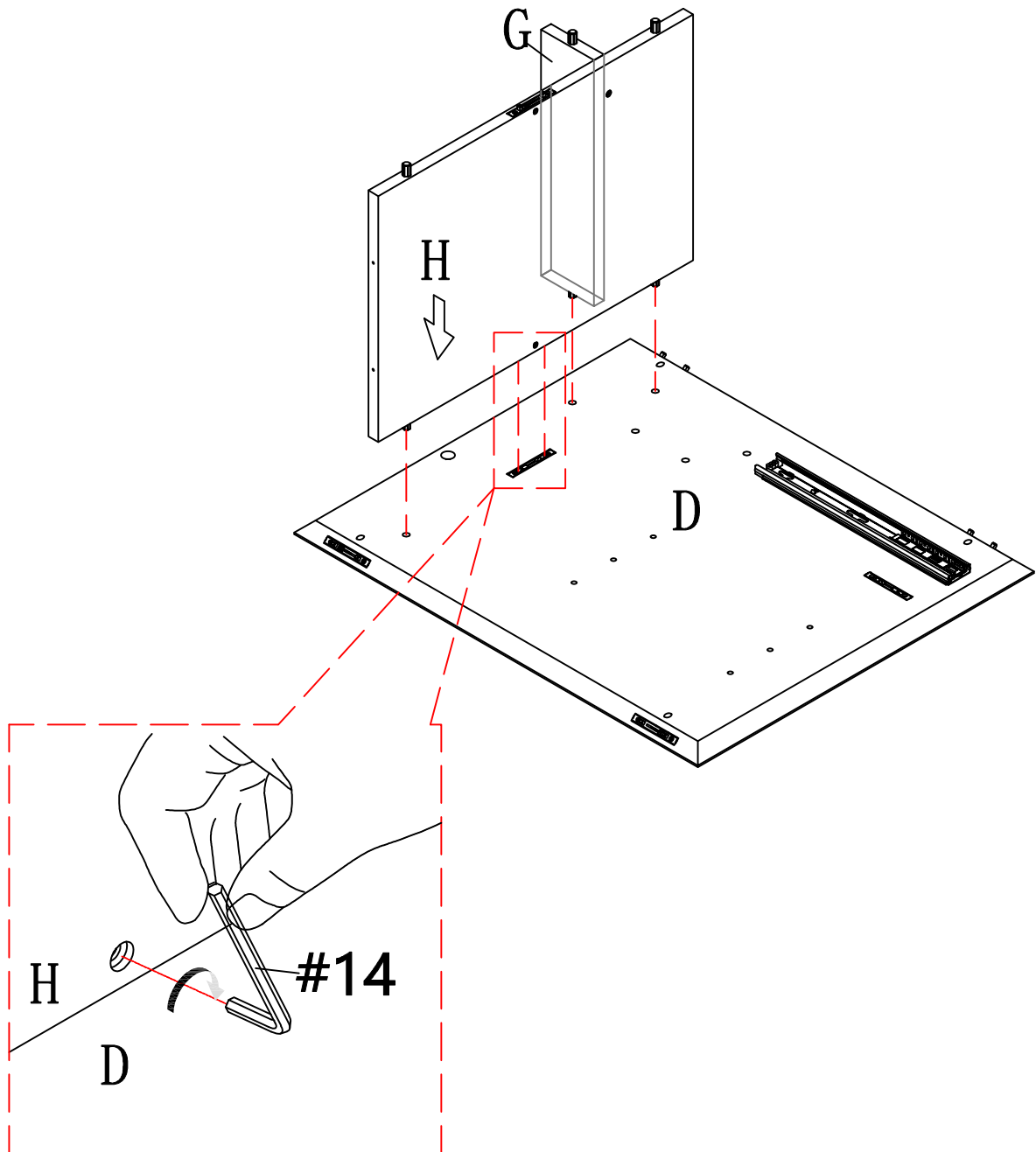
#1	x2
	
ø8#*1"	

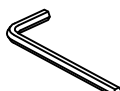
#15	x1
	

ASSEMBLY INSTRUCTIONS

STEP-3

1.insert part (G/H) to part (D) , make sure all holes aligned and tight it with allen wrench #14.

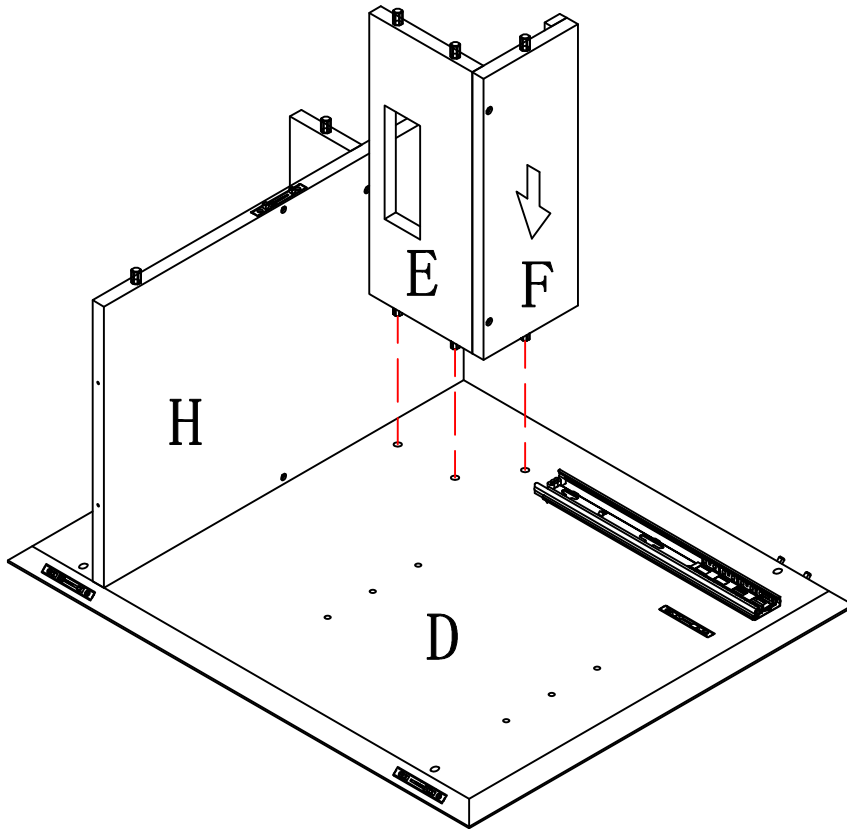


#14	x1
	
M4	

ASSEMBLY INSTRUCTIONS

STEP-4

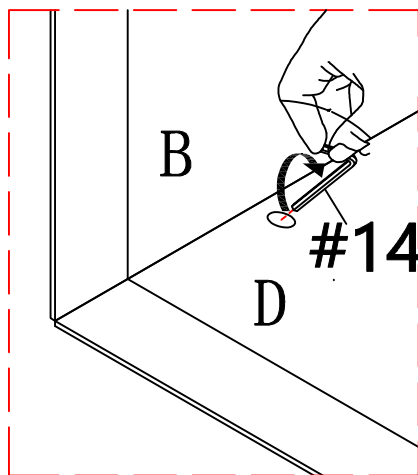
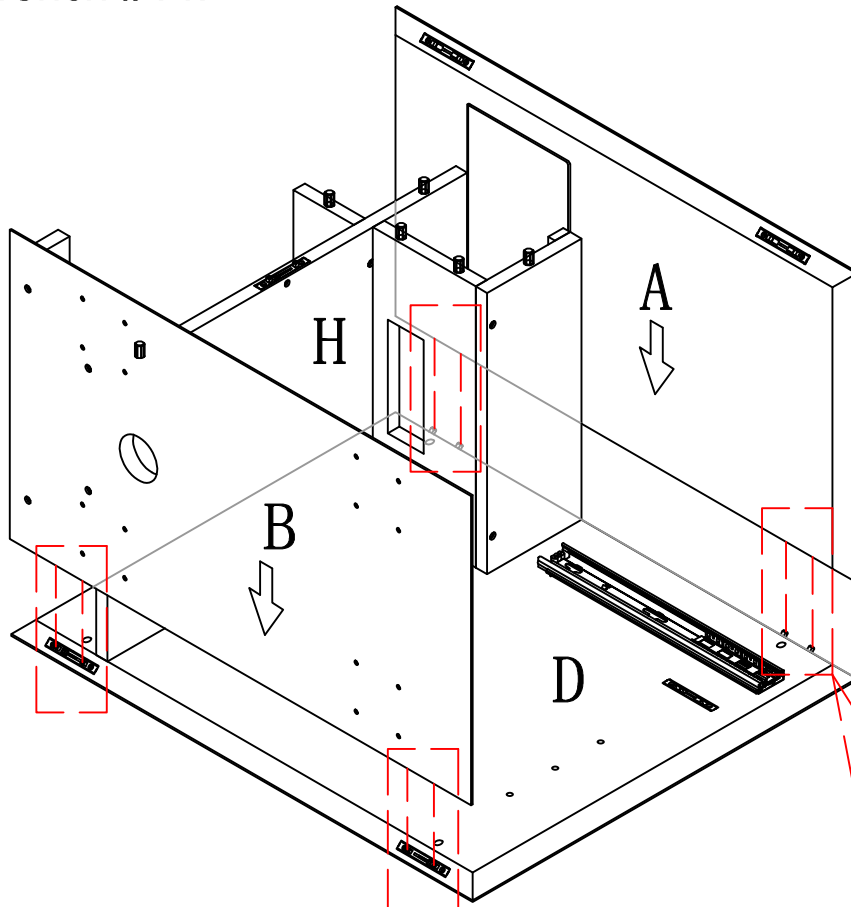
1.insert part (E/F) to part (D) ,make sure all holes aligned.



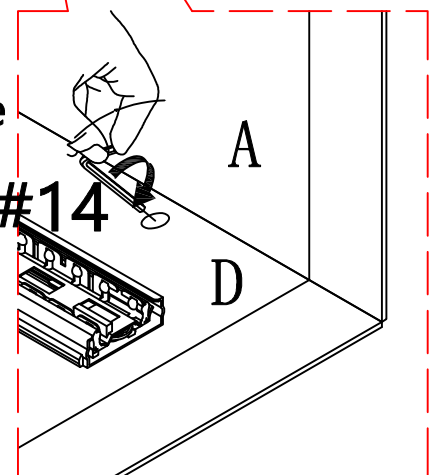
ASSEMBLY INSTRUCTIONS

STEP-5

1.insert part (A/B) to part (D), make sure all holes aligned and tight with allen wrench #14.



The allen wrench must be
keep at a 45 degree
#14 Angle to the panel A&B

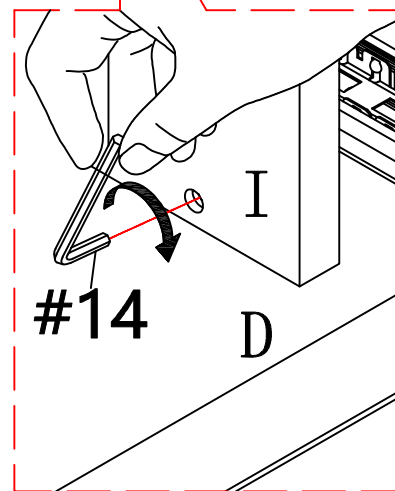
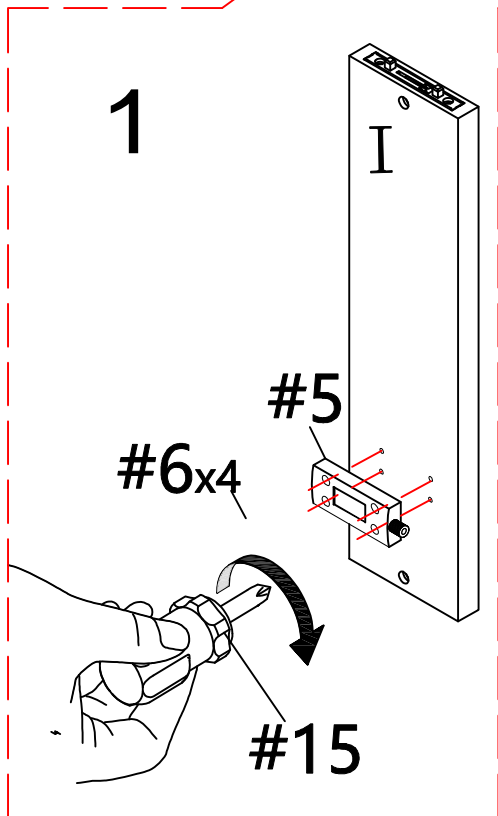
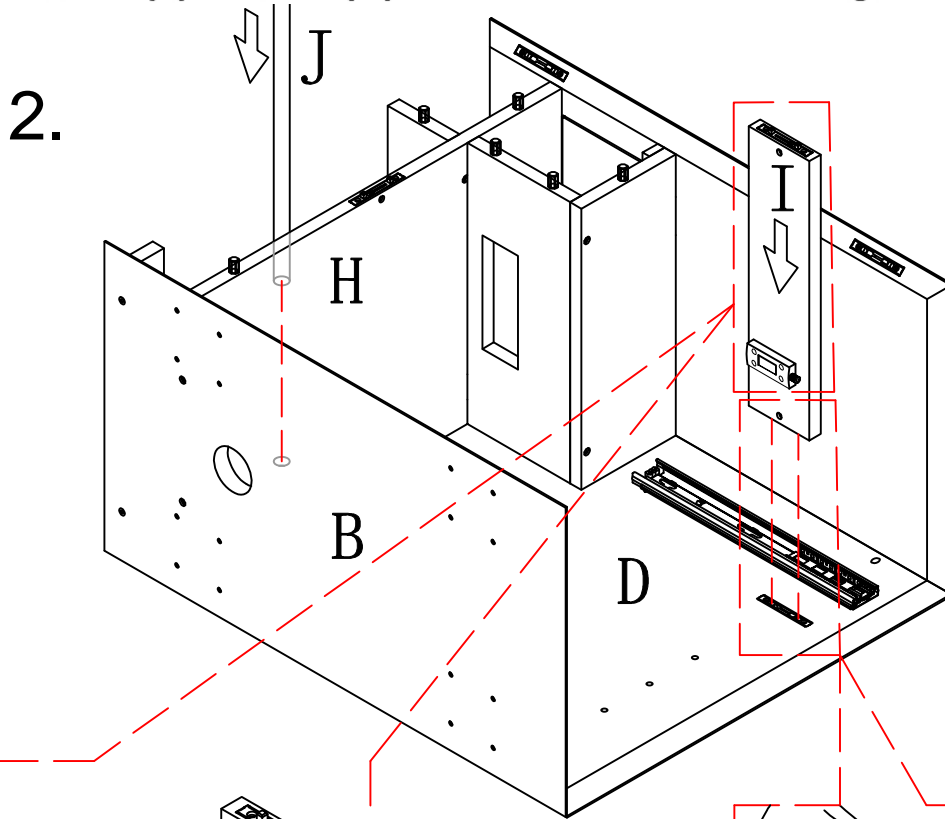


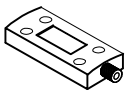

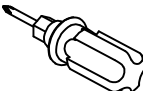

#14	x1
M4	

ASSEMBLY INSTRUCTIONS

STEP-6

1. connect part #5 to part(I) with screw #6, tight it with screwdriver #15. insert part (I) to part (D) ,make sure all holes aligned and tight with allen wrench #14.
2. insert part (J) to part (B), make sure the hole aligned.

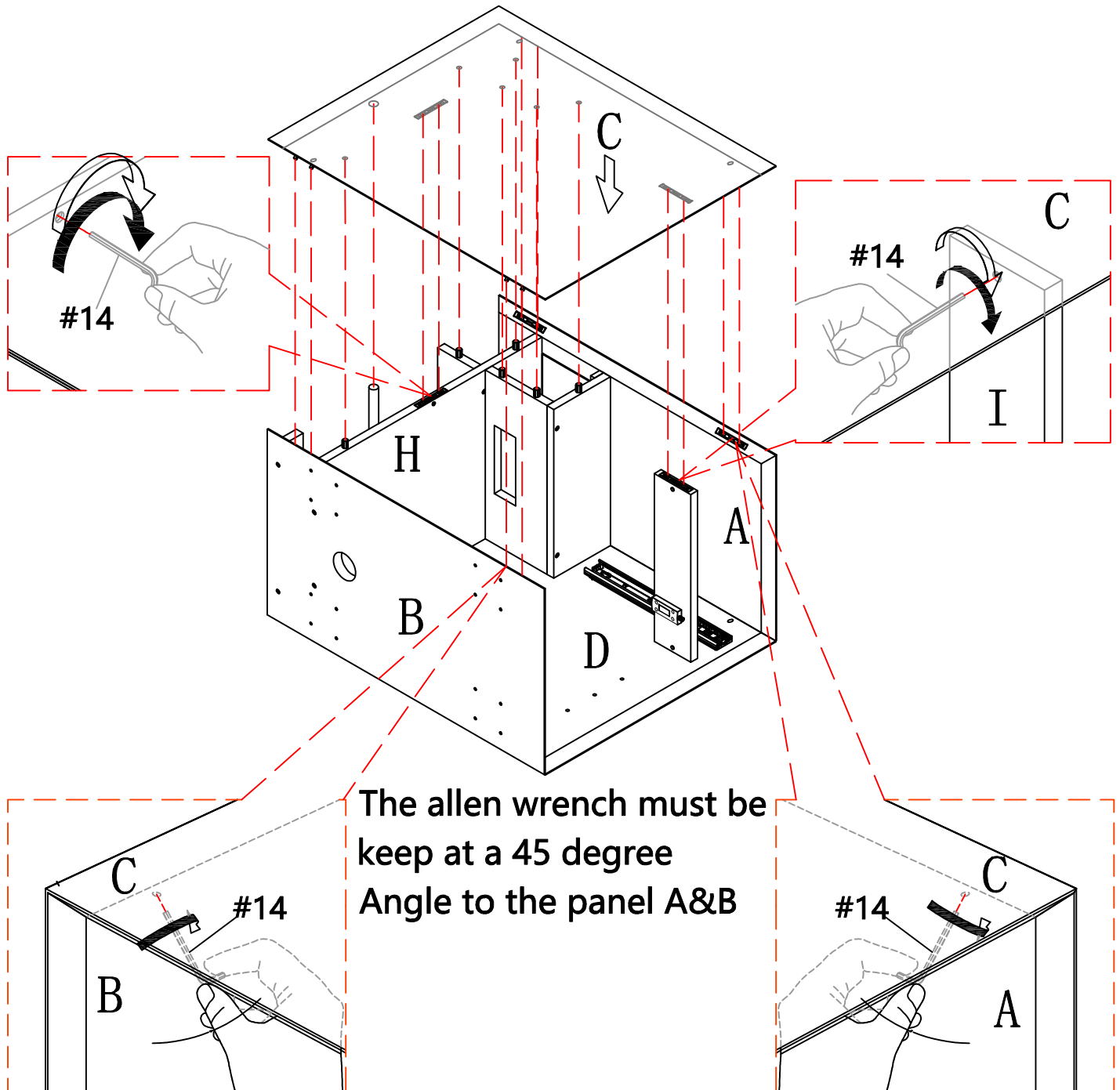


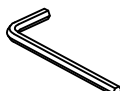
#5	x1	#6	x4	#15	x1	#14	x1
							
		$\phi 3 \# * 20 \text{mm}$				M4	

ASSEMBLY INSTRUCTIONS

STEP-7

1.insert part (C) to the unit pre-assembled at step 6, make sure all holes aligned and tight with allen wrench #14.

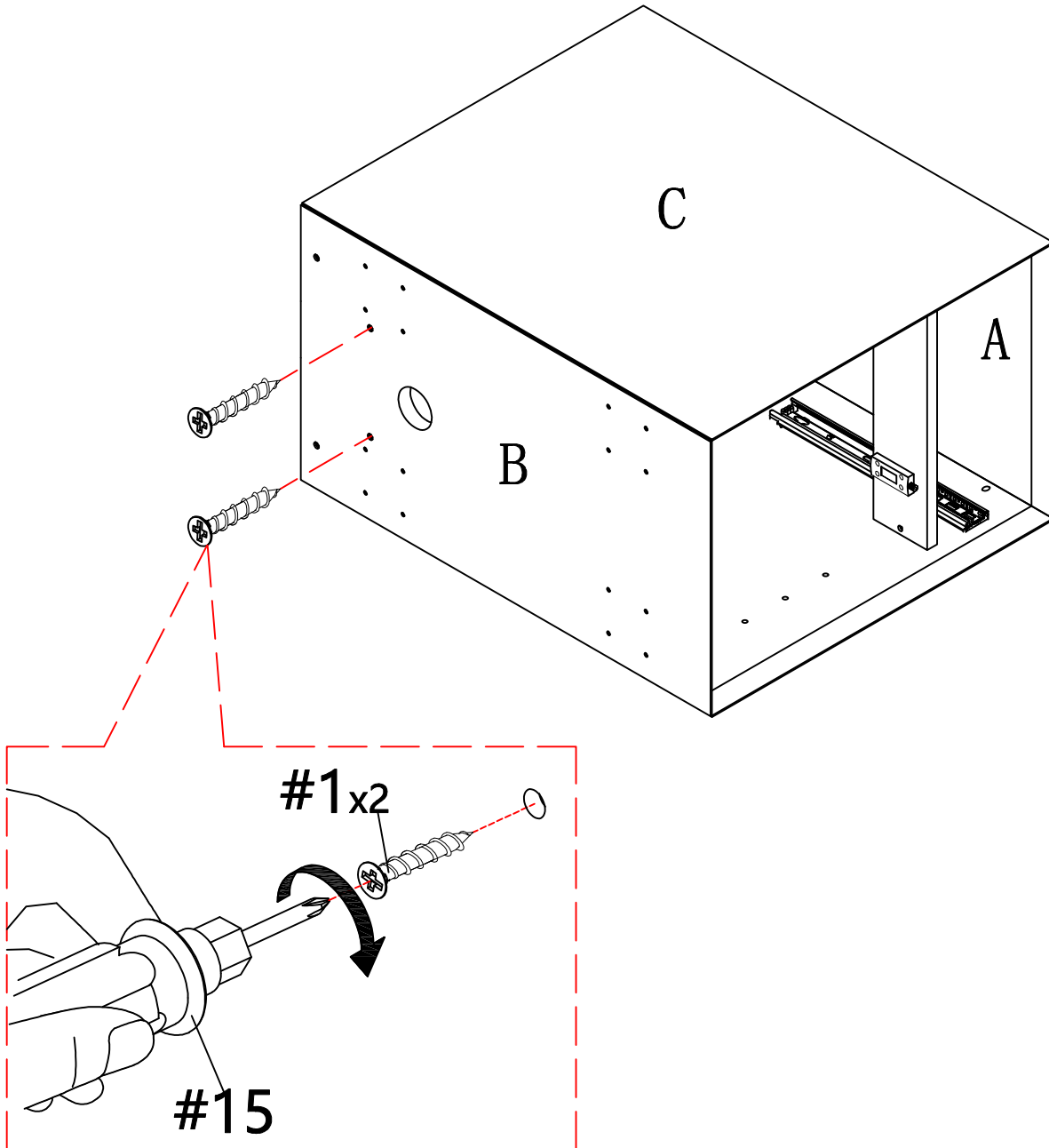


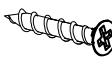
#14	x1
	
M4	

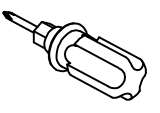
ASSEMBLY INSTRUCTIONS

STEP-8

1. Tight part (H) with part (B) with screw #1, tight screw with screwdriver #15.



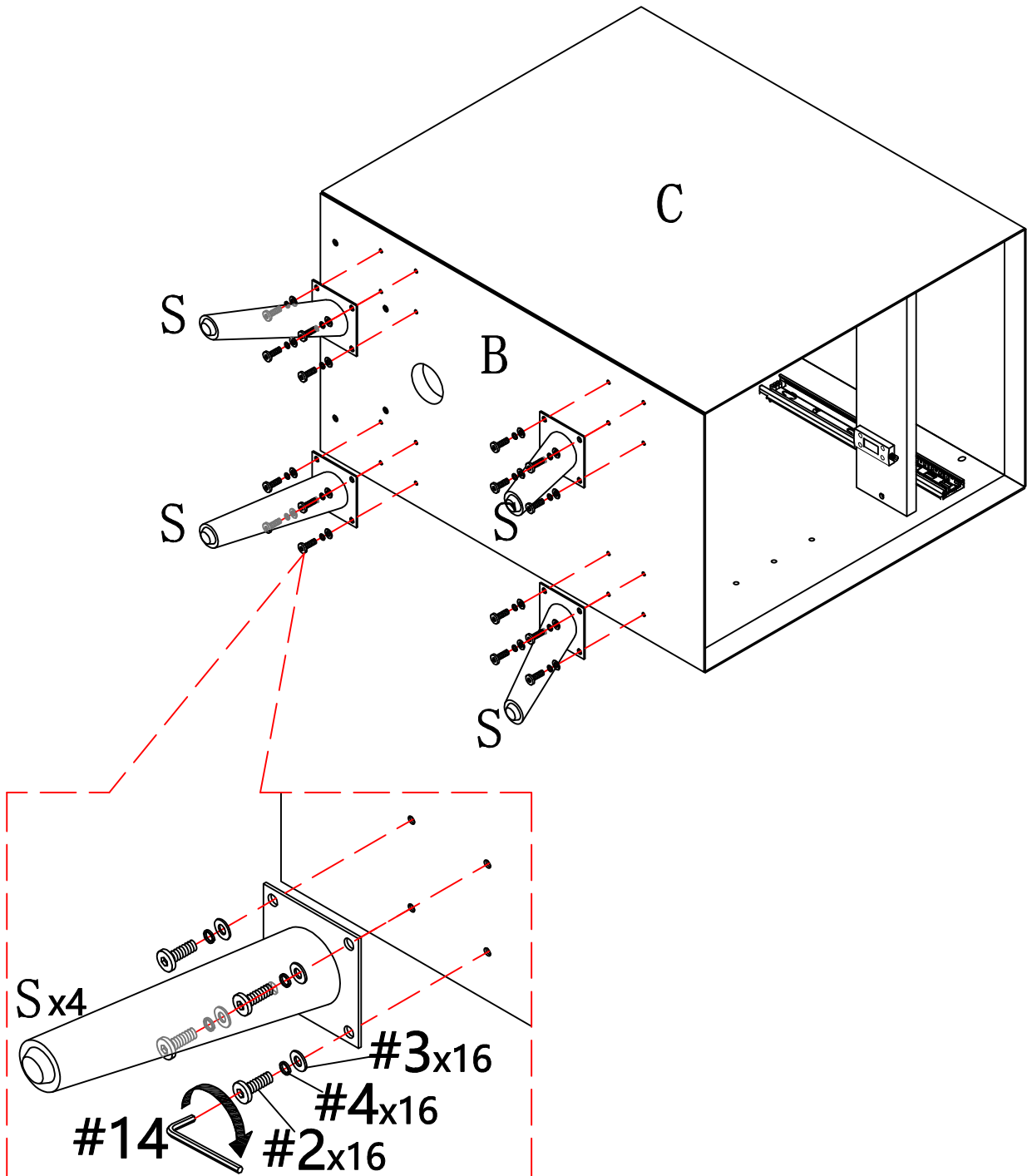
#1	x2
	
ø8#*1"	

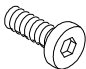



#15	x1
	

ASSEMBLY INSTRUCTIONS

STEP-9

1. connect part (S) to part (B) with bolt #2, flat washer #3 and spring washer #4, tight bolt with allen wrench #14.

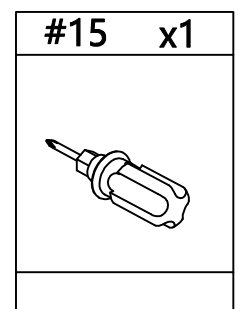
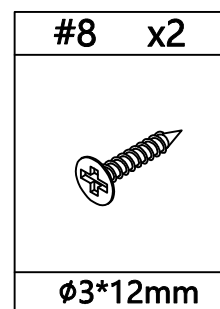
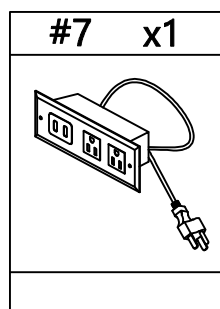
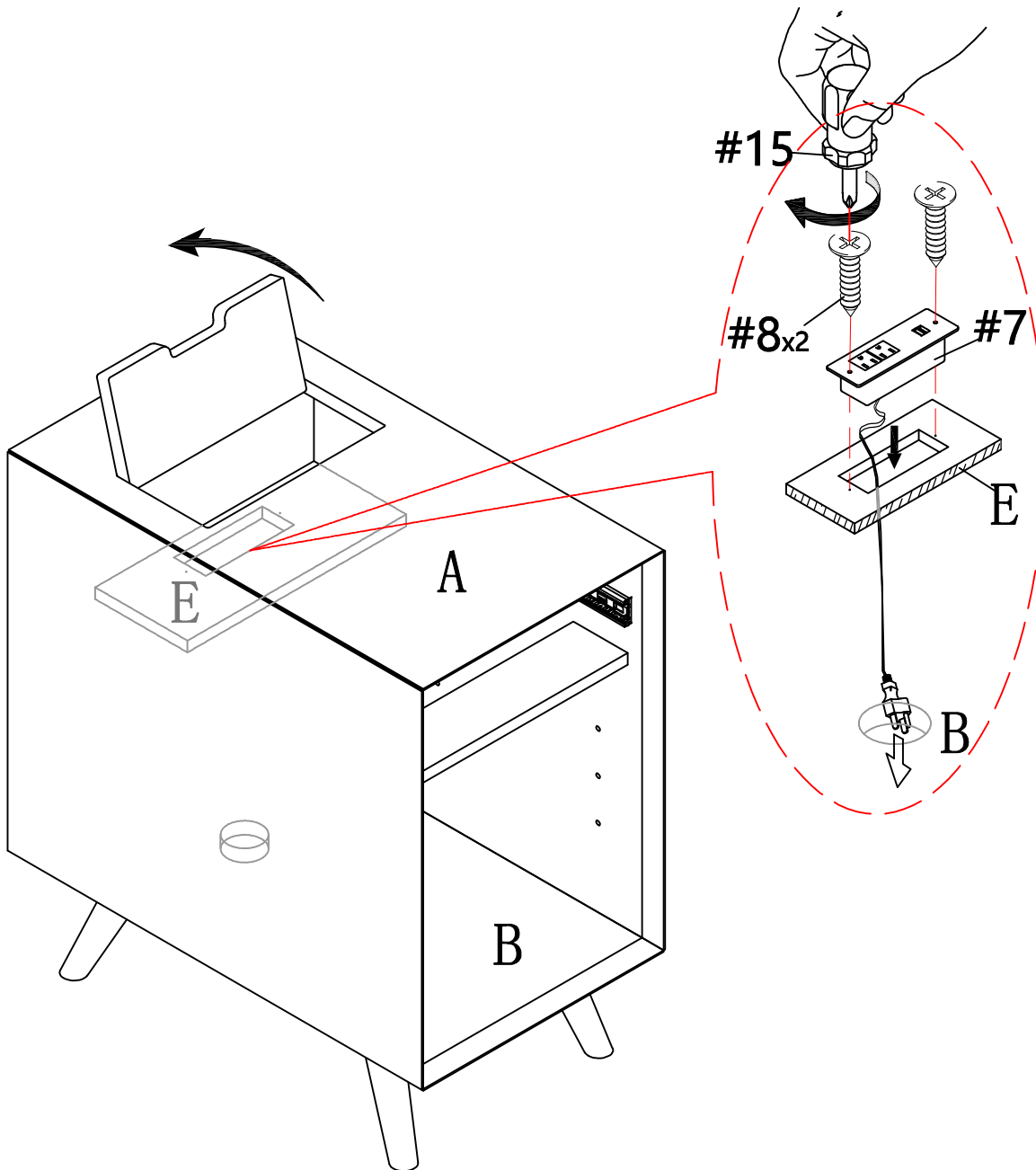


#2	x16	#3	x16	#4	x16	#14	x1
							
$\phi 1/4" \times 1/2"$		$\phi 1/4"$		$\phi 1/4"$		M4	

ASSEMBLY INSTRUCTIONS

STEP-10

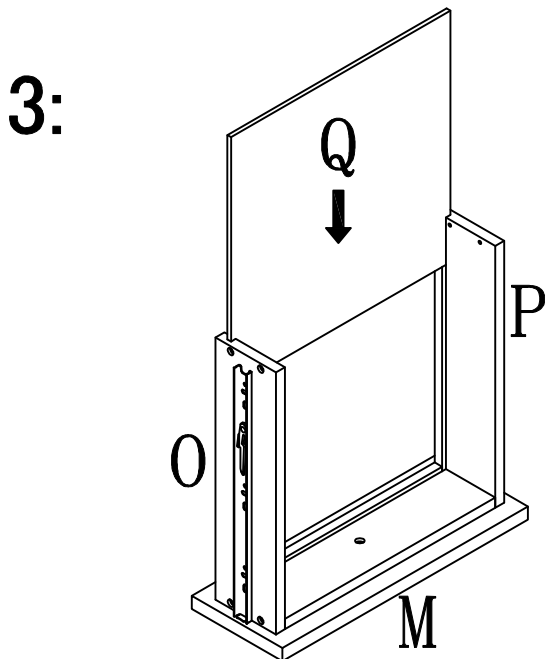
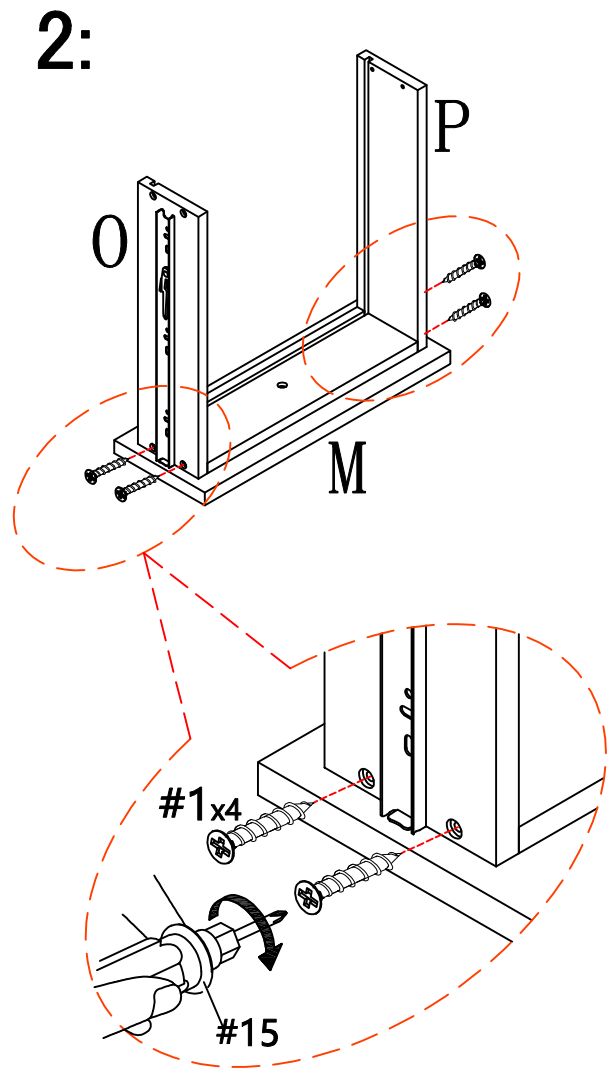
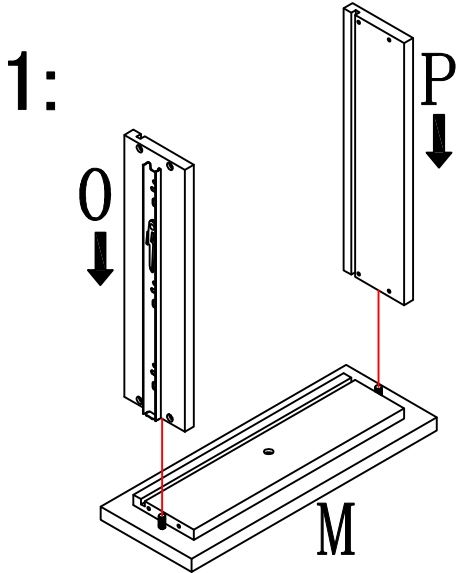
1. connect part #7 to part (E) with screw #8, tight screw with screwdriver #15.

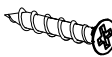


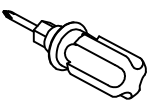
ASSEMBLY INSTRUCTIONS

STEP-11

1. connect part (O/P) to part (M) with screw #1, tight screw with screwdriver #15.
2. slide part (Q) to part (O/P), make sure it also in the groove of part (M).



#1	x4
	
ø8#*1"	

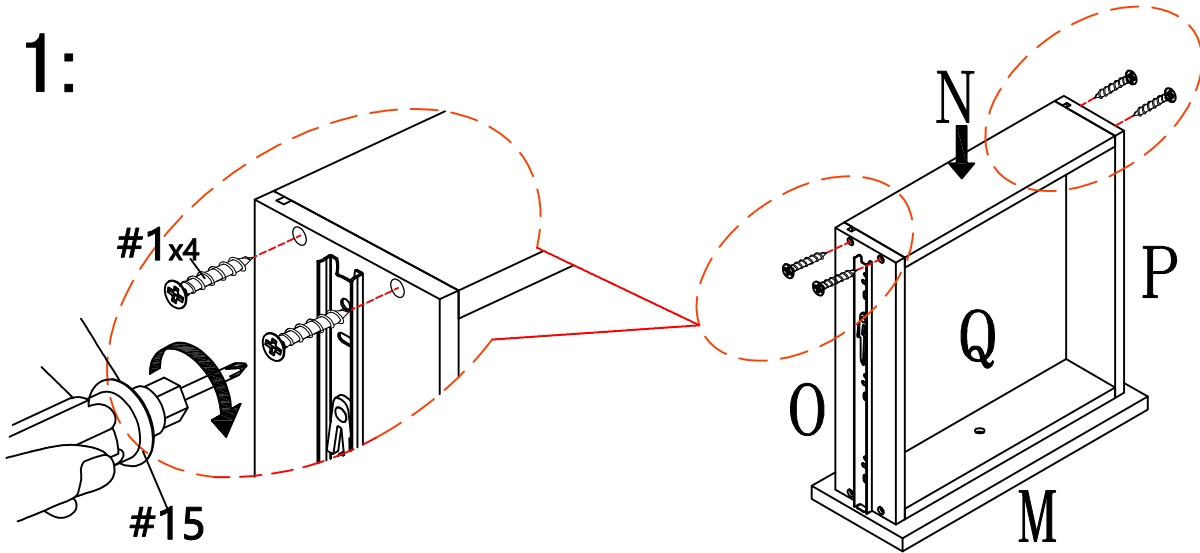
#15	x1
	

ASSEMBLY INSTRUCTIONS

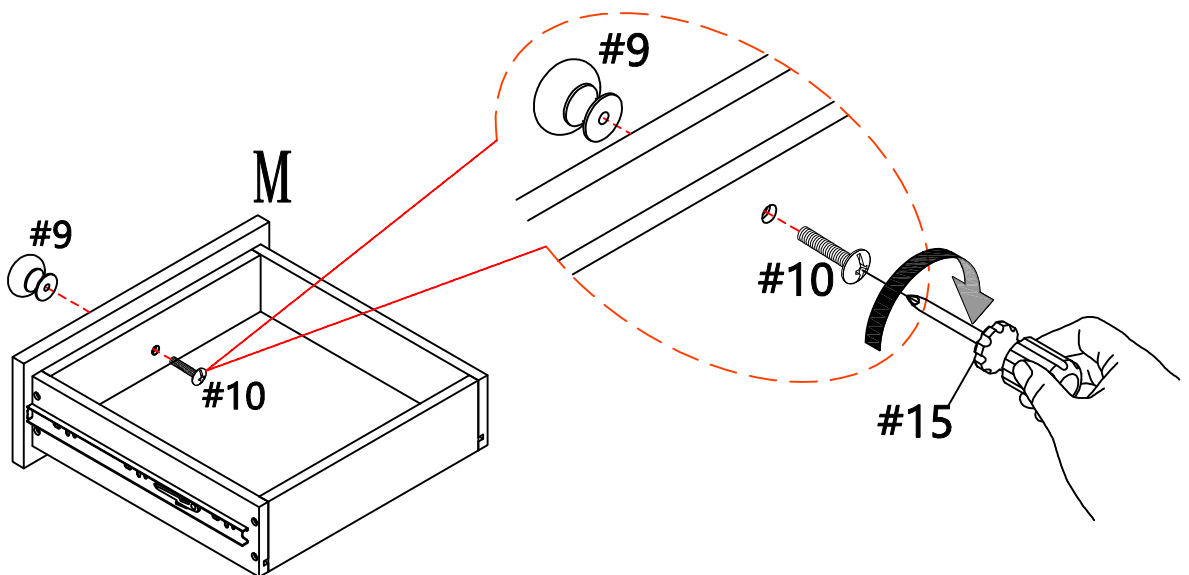
STEP-12

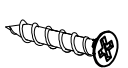
1. Connect part (N) to part (O/P) using screw #1 and tighten it with screwdriver #15.
2. Attach knob (#9) to drawer front left (M) with bolt (#10), Tight bolt with screwdriver (#15).


1:

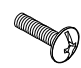


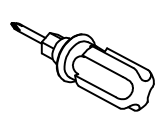
2:



#1	x4
	
ø8#*1"	

#9	x1
	

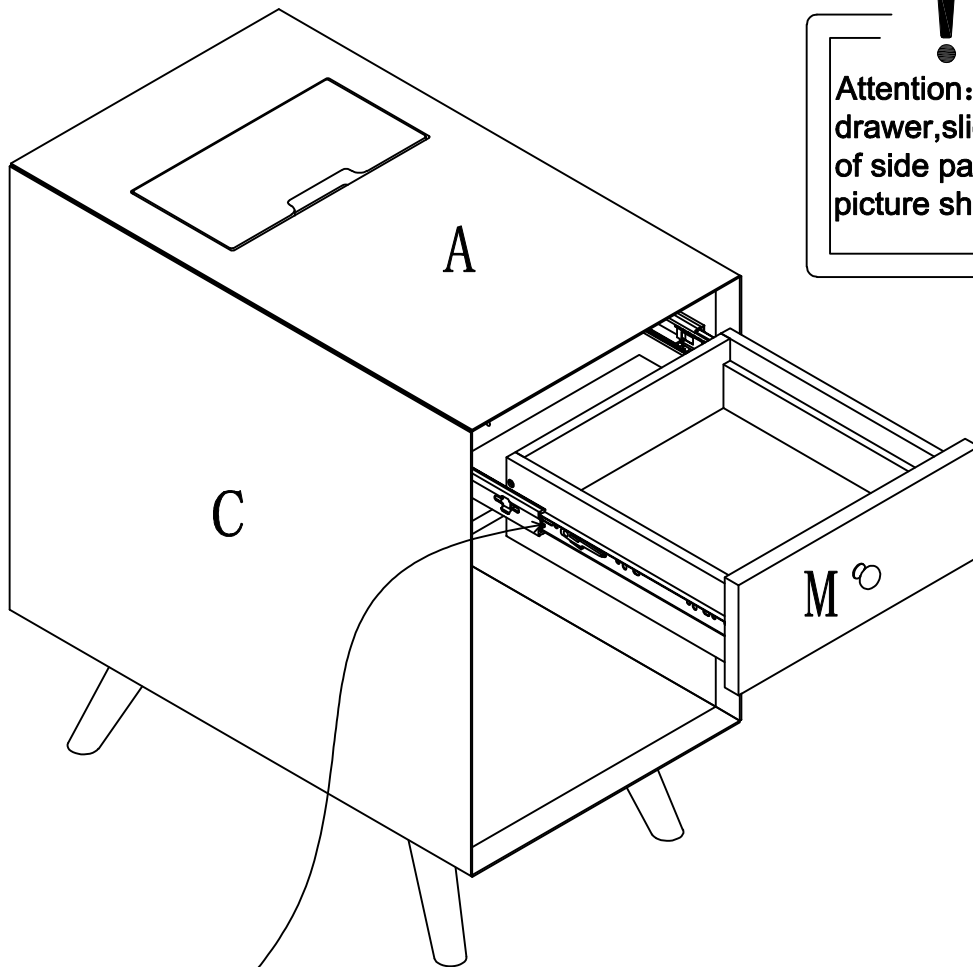
#10	x1
	
ø5/32"*1"	

#15	x1
	

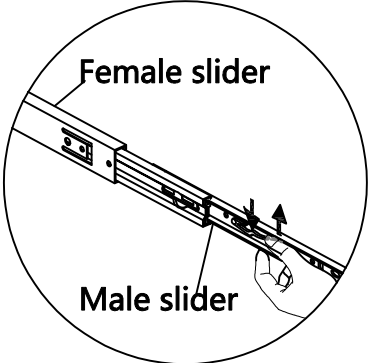
ASSEMBLY INSTRUCTIONS

STEP-13

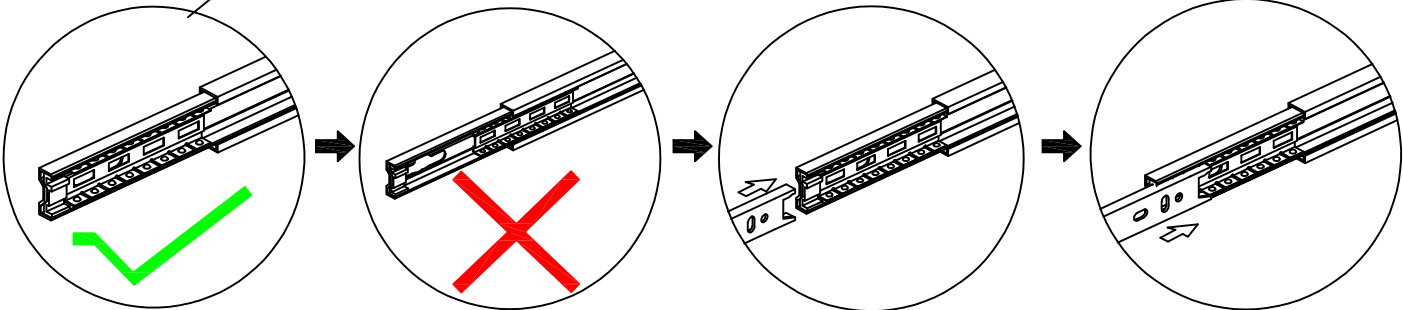
1.



Attention: When installing the drawer, slide the steel ball slide rail of side panel to the most front as picture show.



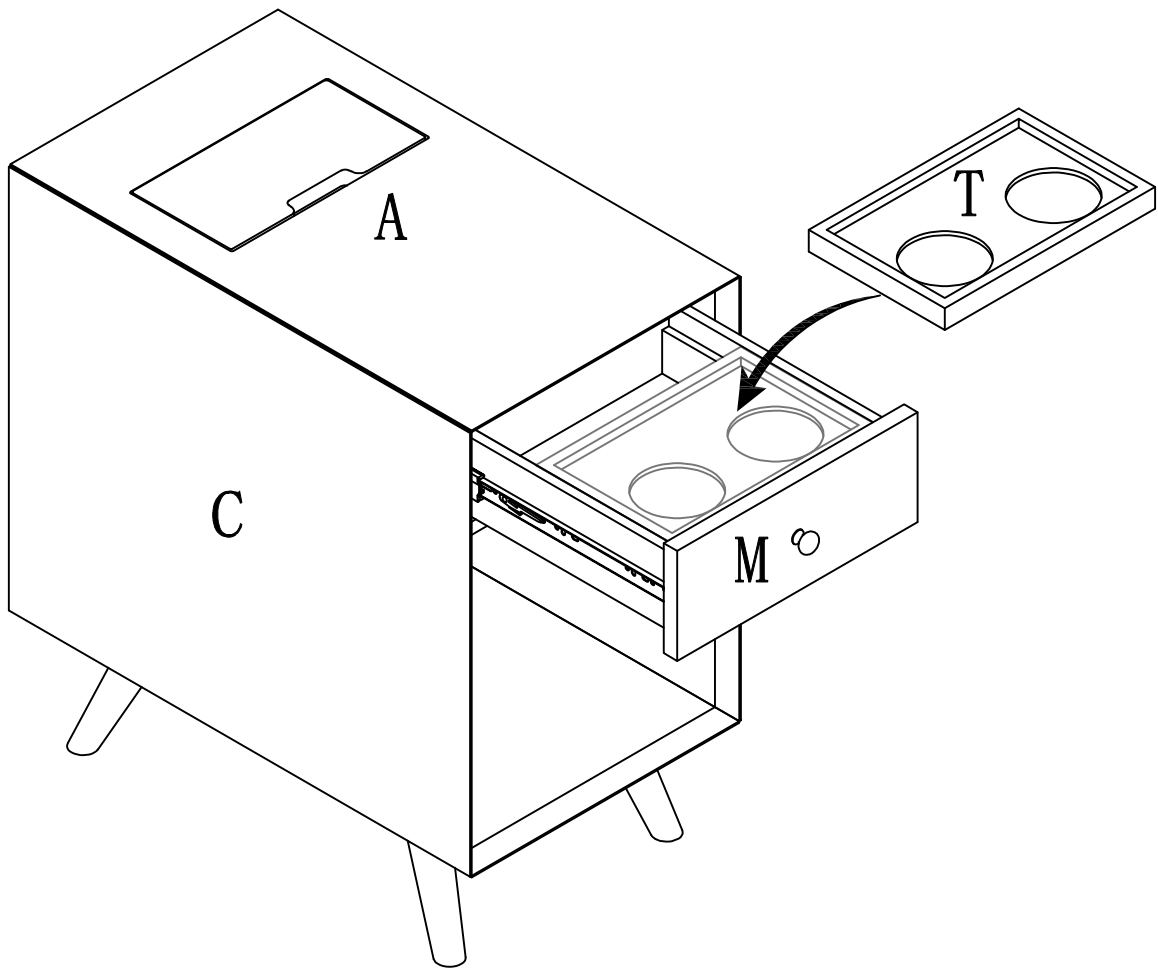
Schematic diagram of slide rail disassembly



ASSEMBLY INSTRUCTIONS

STEP-14

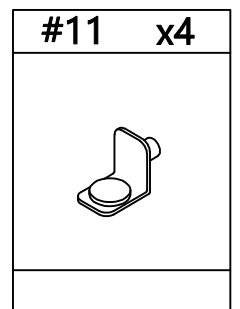
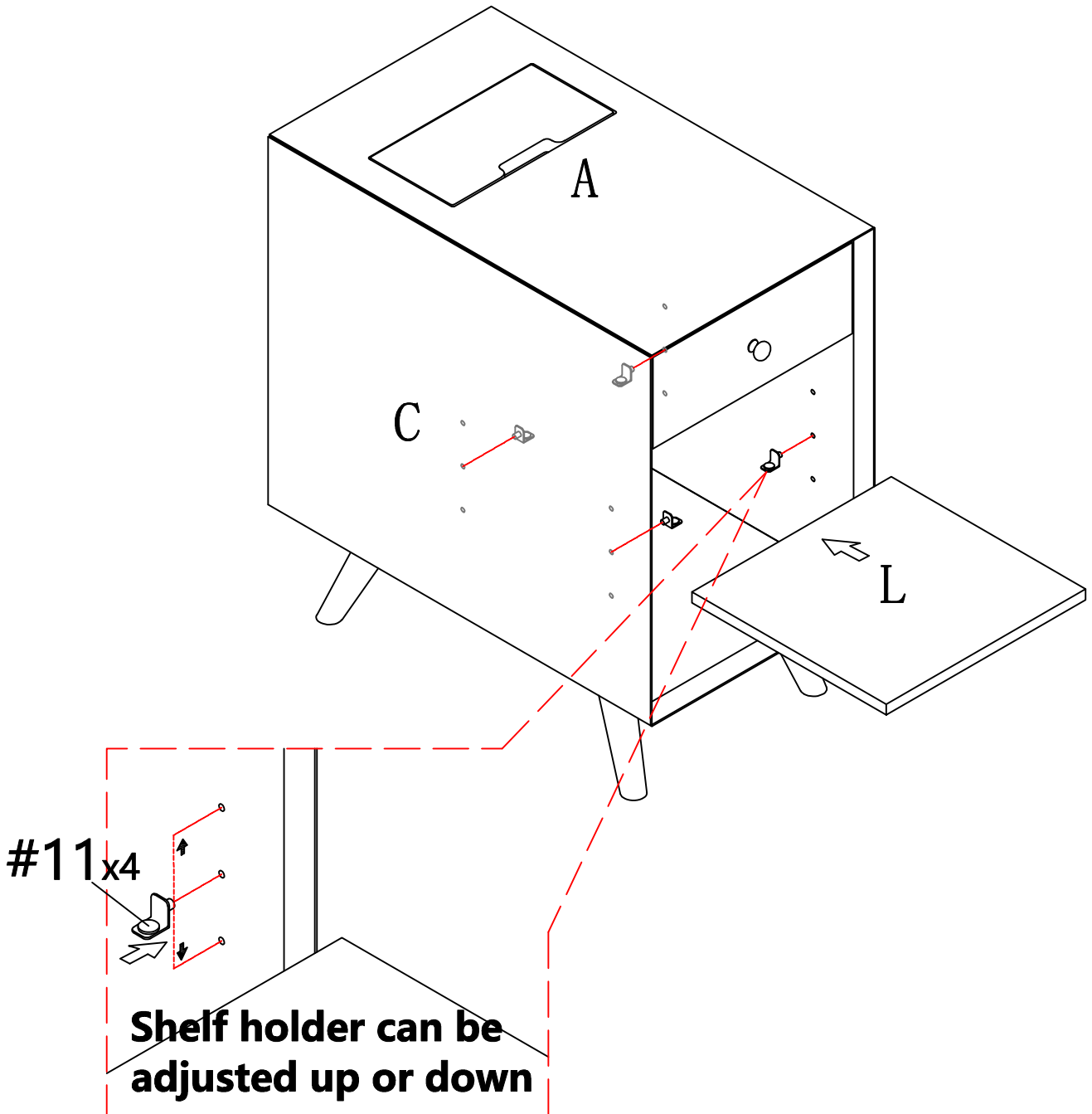
1.attach part (T) to drawer with hand.



ASSEMBLY INSTRUCTIONS

STEP-15

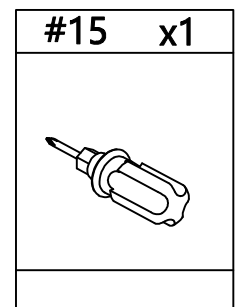
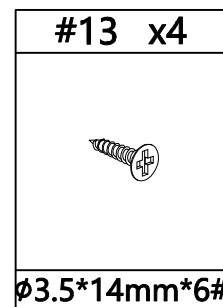
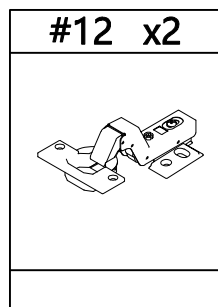
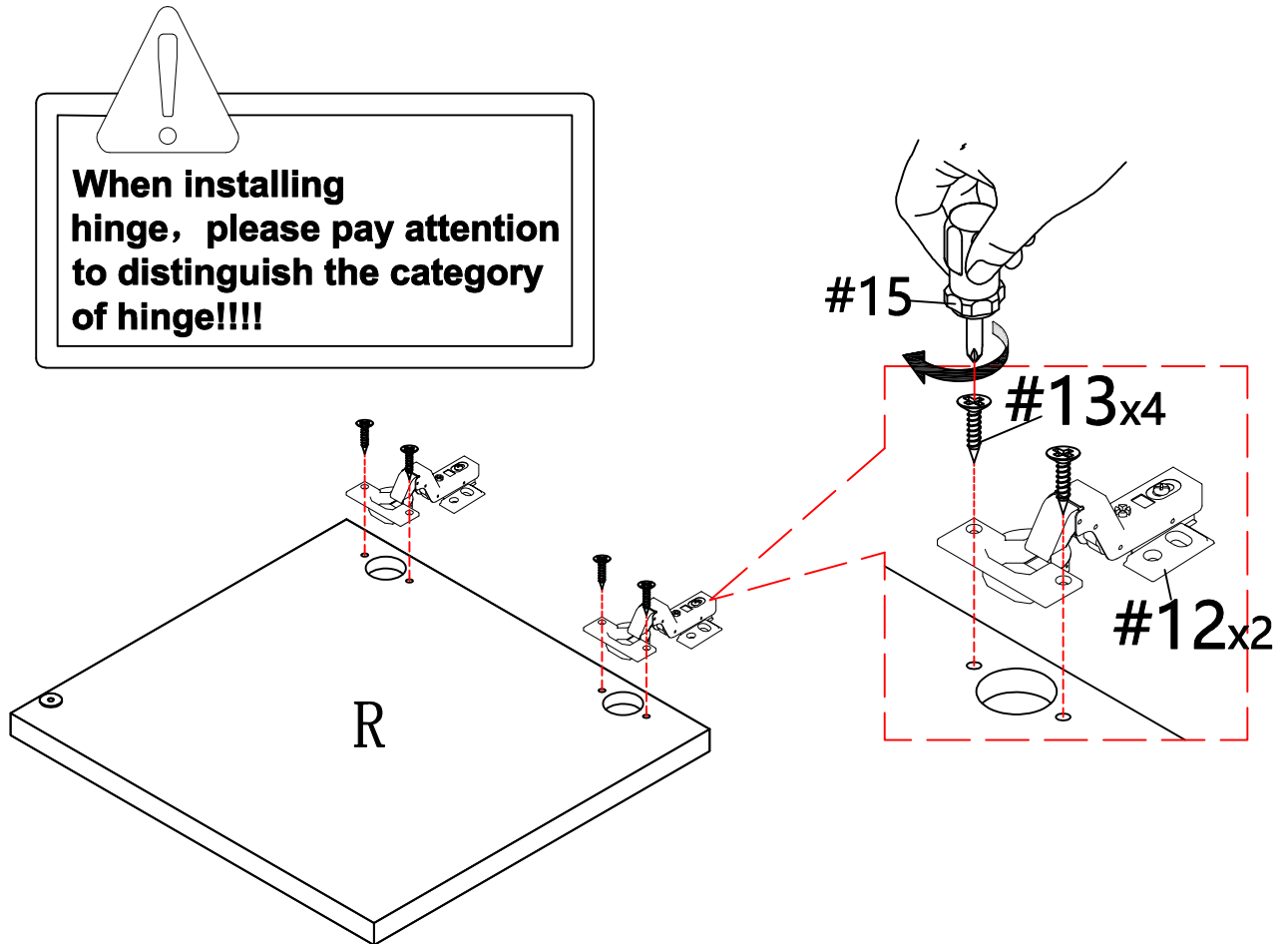
1.insert shelf holder #11 into the corresponding hole of panel (C/D) and then attach part (L) to it.



ASSEMBLY INSTRUCTIONS

STEP-16

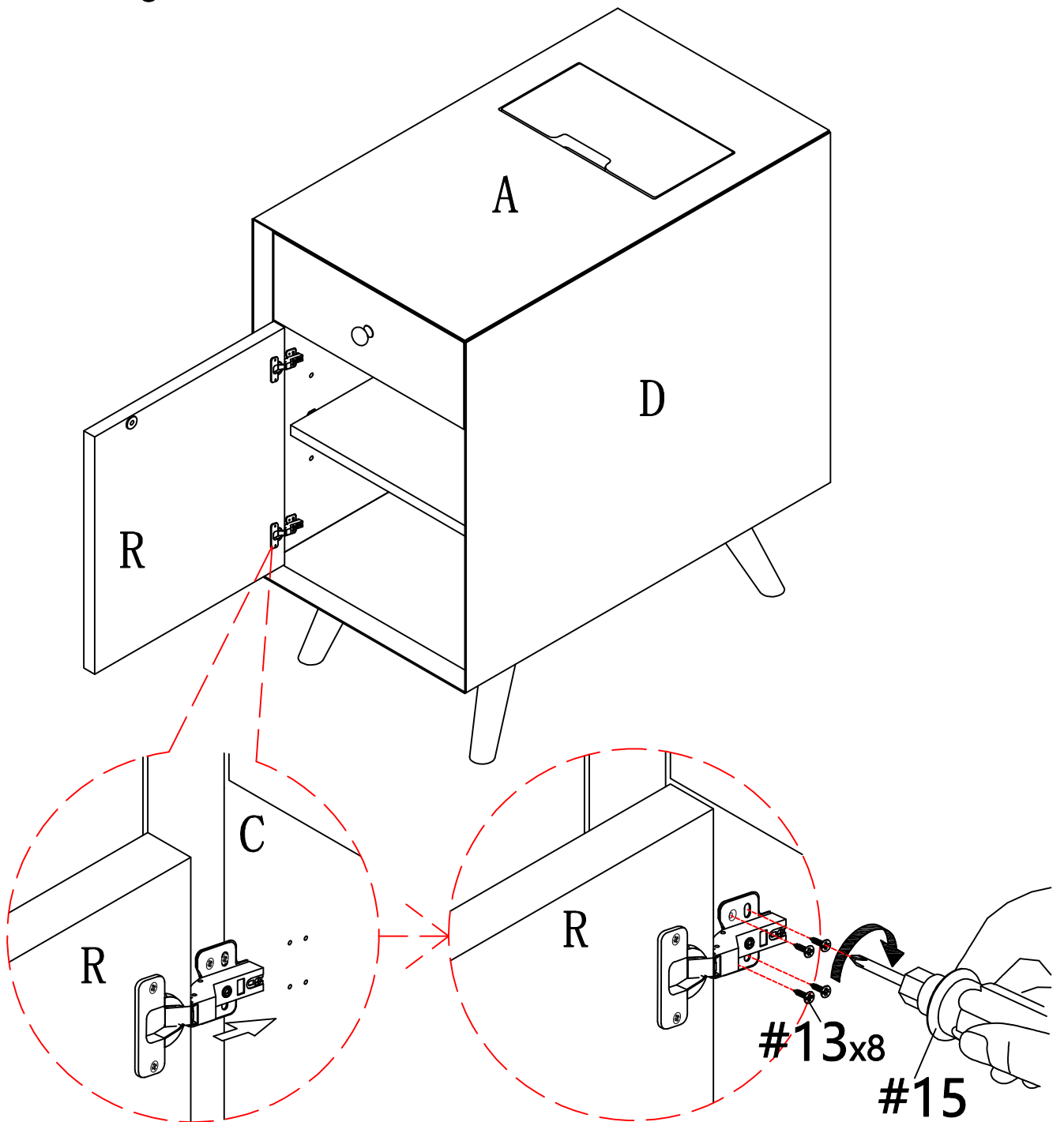
1. connect part #12 to part (R) with screw #13, tight screw with screwdriver #15.




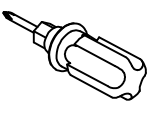
ASSEMBLY INSTRUCTIONS

STEP-17

1. connect the door (R) to the unit pre-assembled at step 15 with screw #13, tight screw with screwdriver #15.

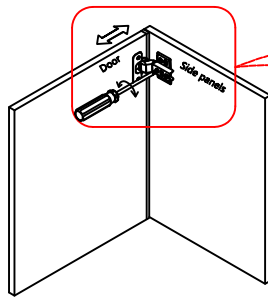


#13 x8

ø3.5*14mm*6#

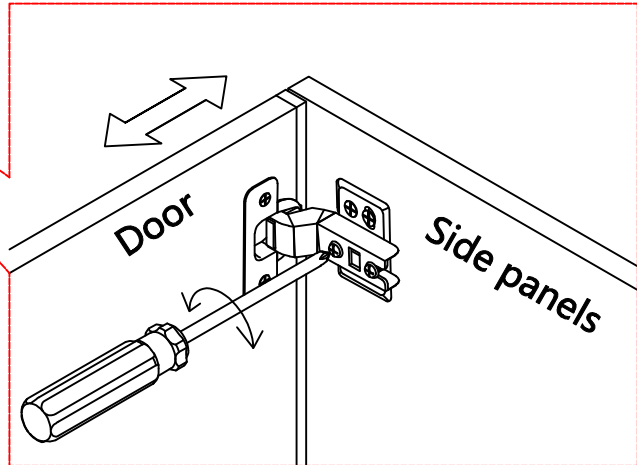
#15 x1


ASSEMBLY INSTRUCTIONS

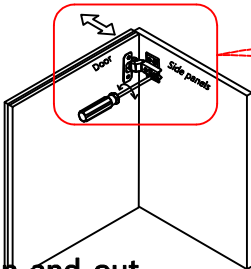
Concealed hinges are three-way adjustable:



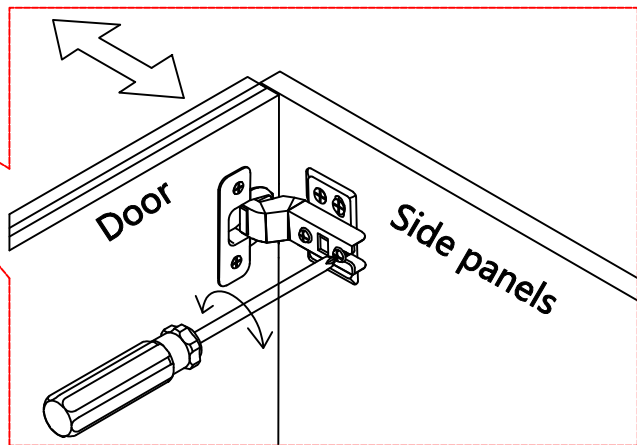
Horizontal
by screw adjustment!



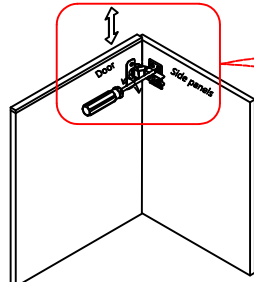
Concealed hinges are three-way adjustable:



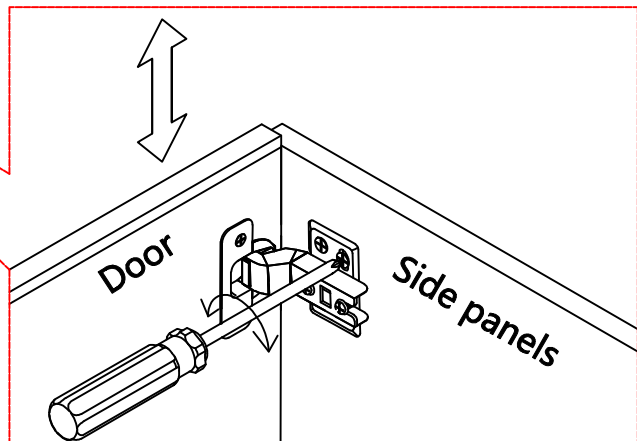
In-and-out
by loosening the hinge arm
mounting screw or via cam
adjustment!



Concealed hinges are three-way adjustable:



Vertical via slots in
the mounting plate
or via cam
adjustment!

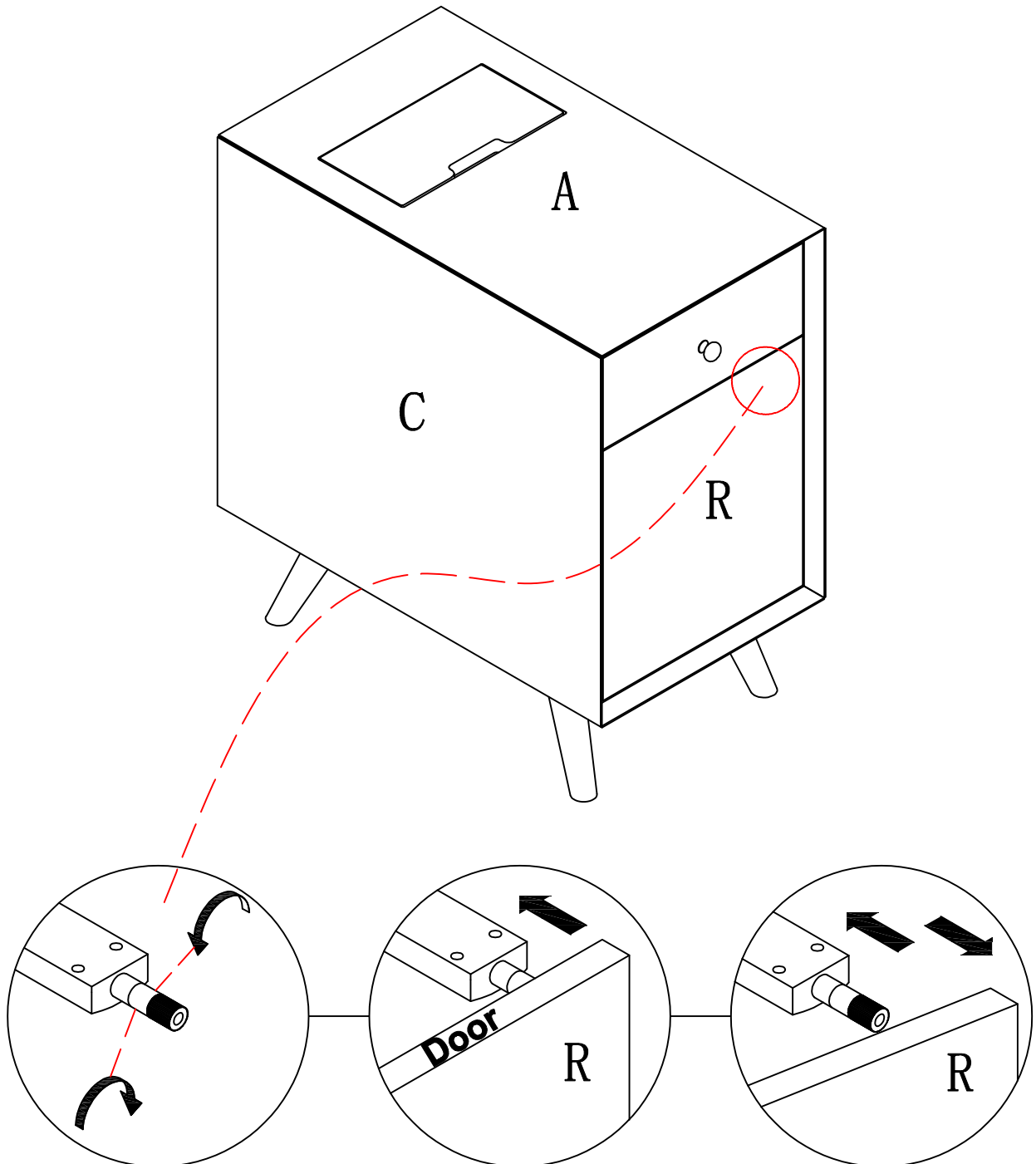


Hinge adjustment method

ASSEMBLY INSTRUCTIONS

STEP-18

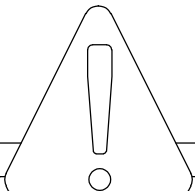
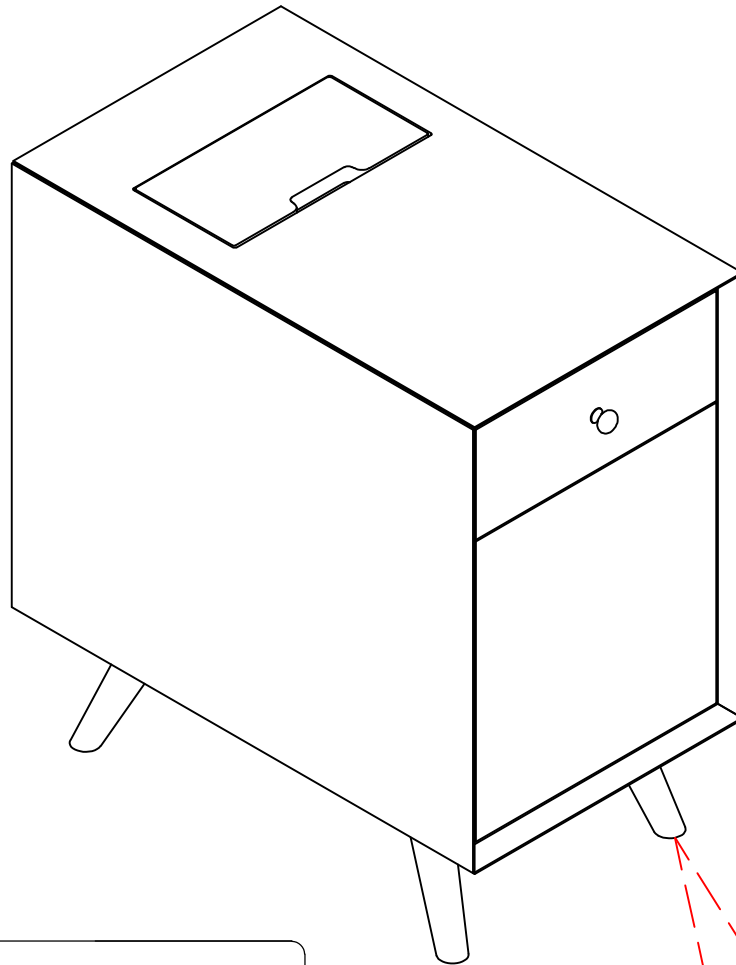
1.



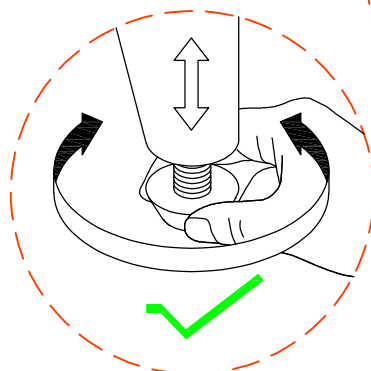
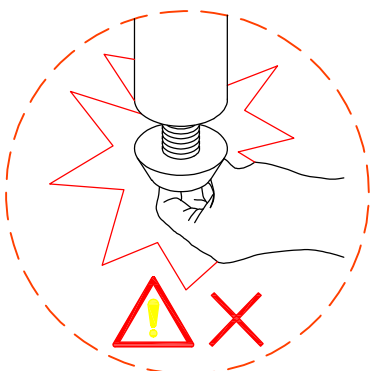
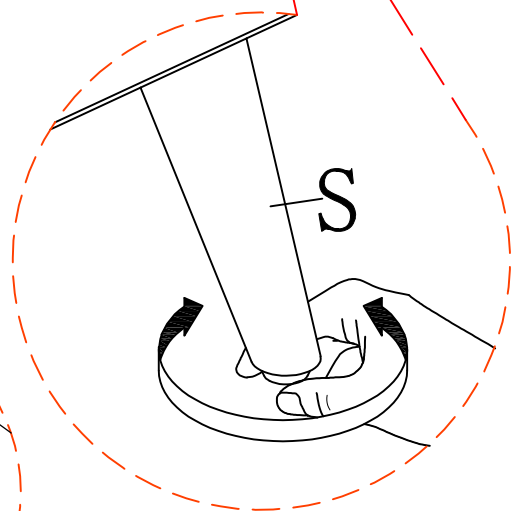
ASSEMBLY INSTRUCTIONS

STEP-19

1.



Attention:
Before the next step, adjust the feet of the locker to keep it level.



WARRANTY

- 1. We strive to offer high-quality products, and we also try our best to satisfy each and every customer that orders from us with product or service as needed.**
- 2. We provide 30 days warranty starting from the time you receive the item. Each customer must provide a record of their order such as the order number, or item receipt for any items that are out of the warranty period you may also still receive.**
- 3. Replacement parts by purchasing them with our company if they are available.**