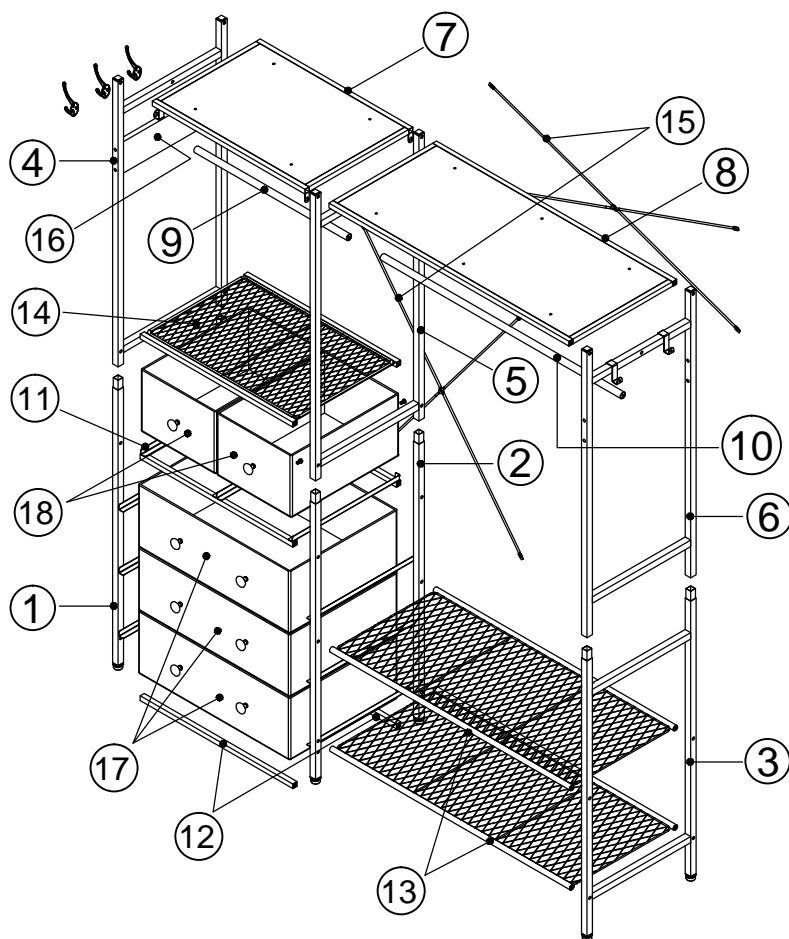
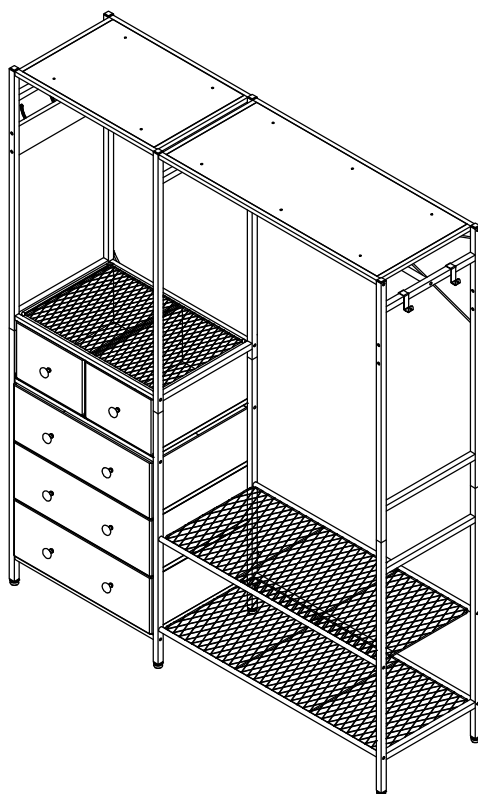











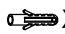






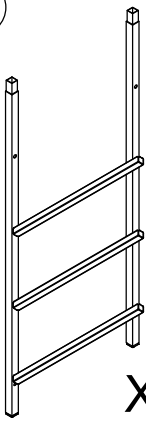
INSTALLATION INSTRUCTION



NO.	PICTURE	SIZE	QTY
A		Ø25	6
B		Ø7X48L	4
C		Ø6X12L	8
D		Ø6X30L	28
E		Ø4.8x12L	8
F			4
G		Ø3.5X14	6
H		Ø6.0	1
I			1
J	 X2  X2  X2		1
K	 X8  X8		1
L			3
M			2

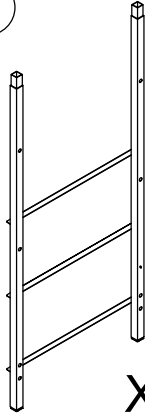
ASSEMBLY INSTRUCTION

①



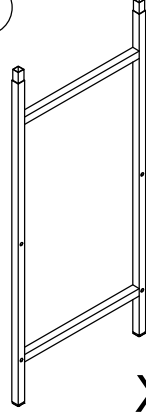
X1

②



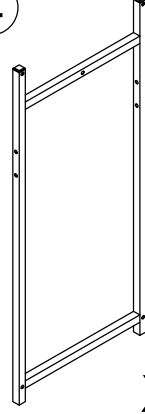
X1

③



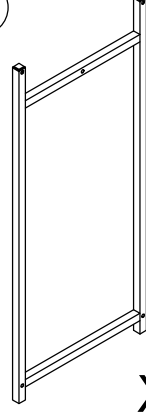
X1

④



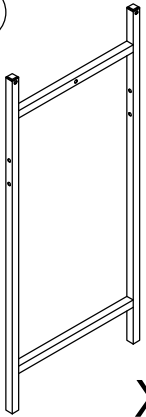
X1

⑤



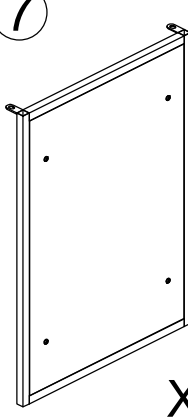
X1

⑥



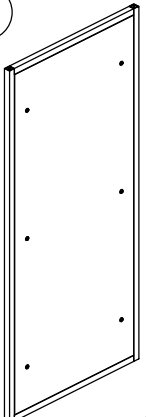
X1

⑦



X1

⑧



X1

⑨



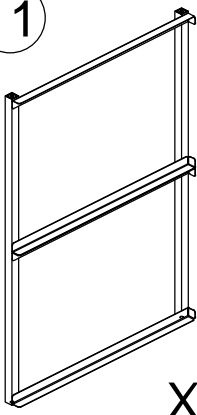
X1

⑩



X1

⑪



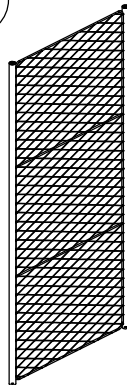
X1

⑫



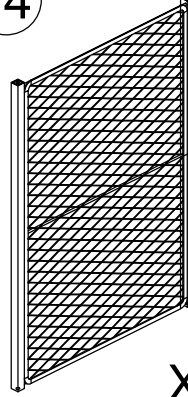
X2

⑬



X2

⑭



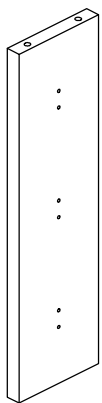
X1

⑮



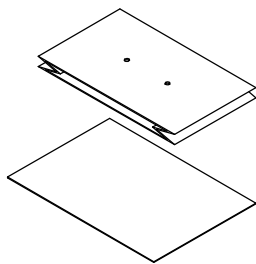
X2

⑯



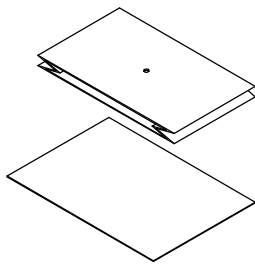
X1

⑰



X3

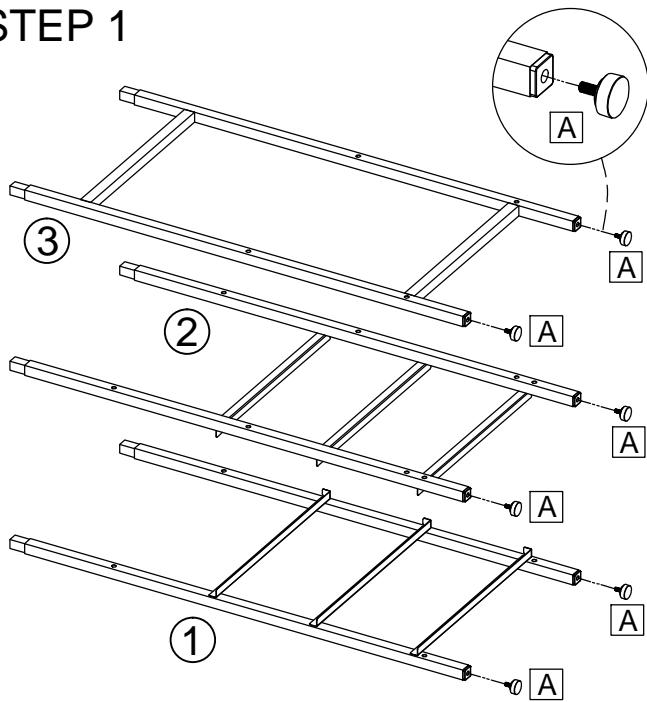
⑱



X2

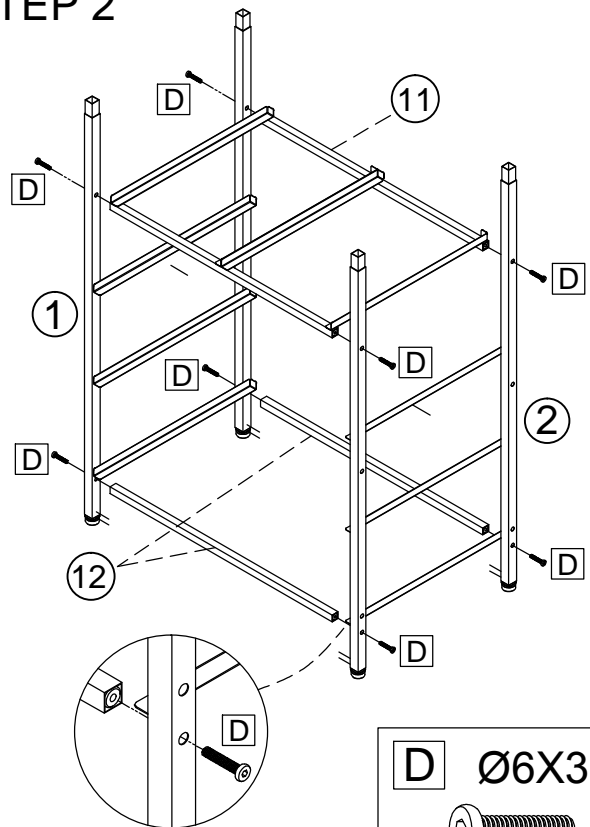
INSTALLATION INSTRUCTION

STEP 1



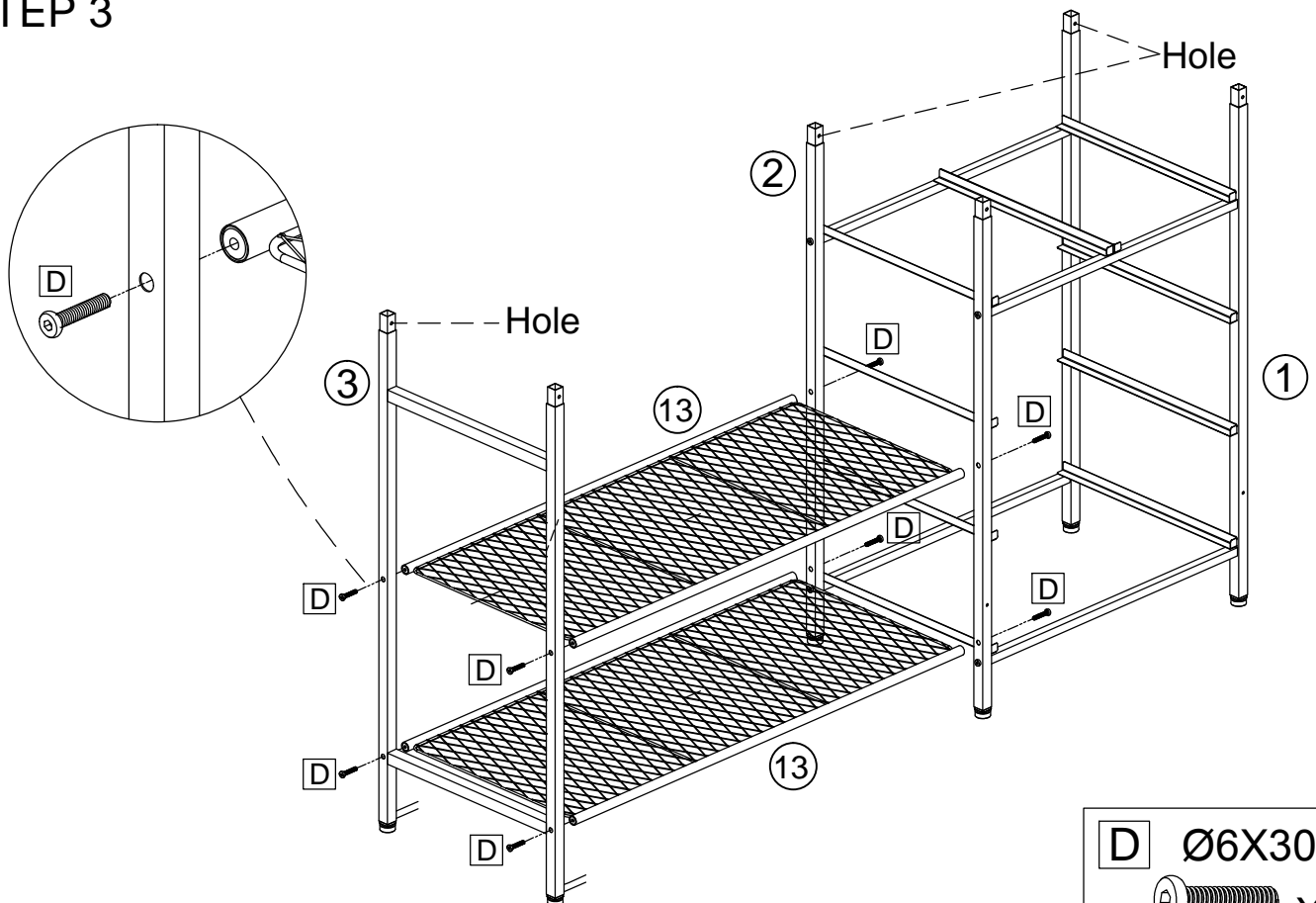
A Ø25
X6

STEP 2



D Ø6X30L
X8

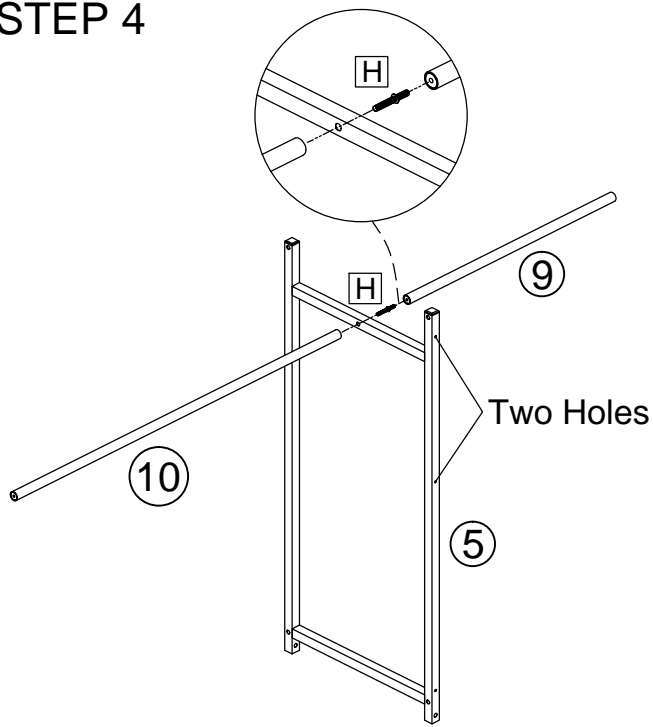
STEP 3



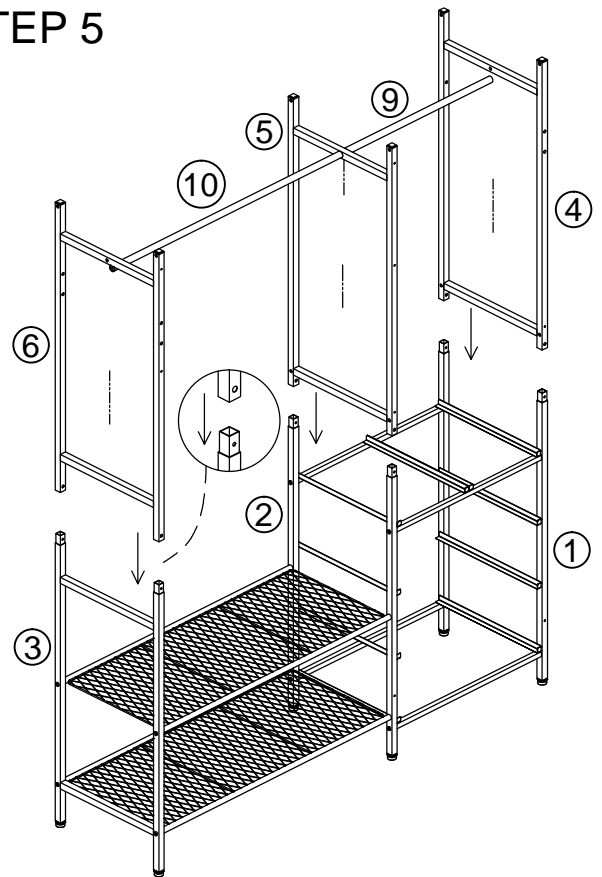
D Ø6X30L
X8

INSTALLATION INSTRUCTION

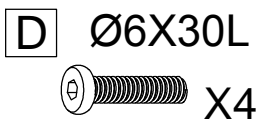
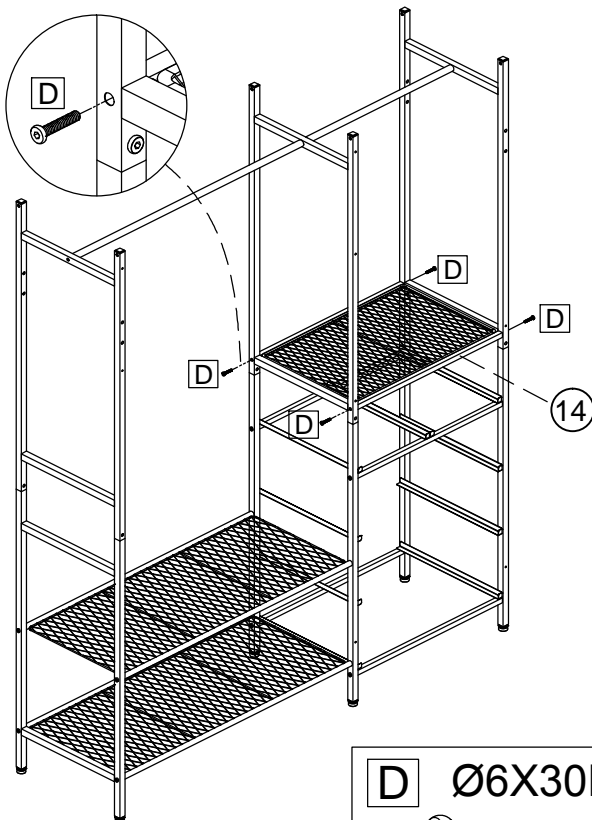
STEP 4



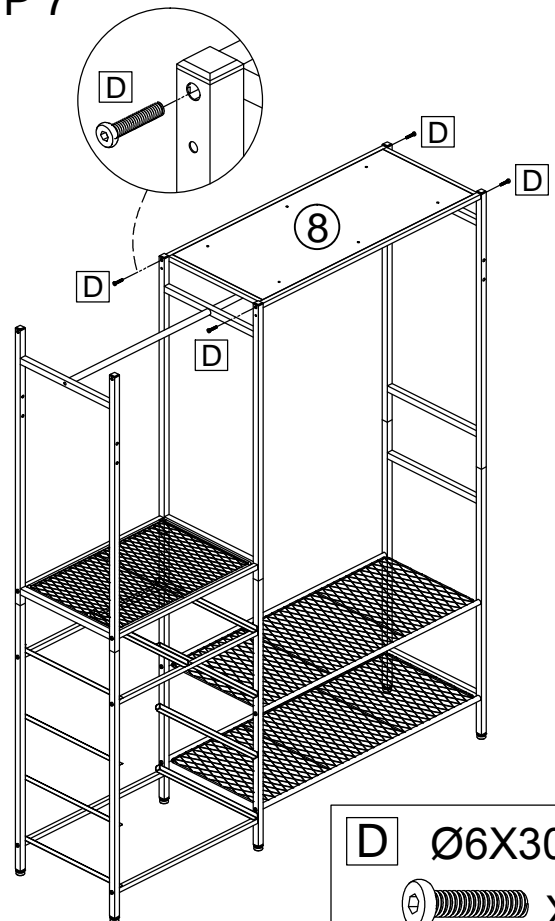
STEP 5



STEP 6

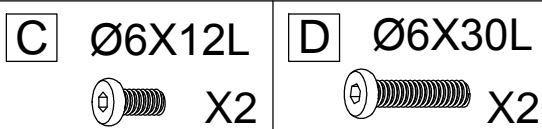
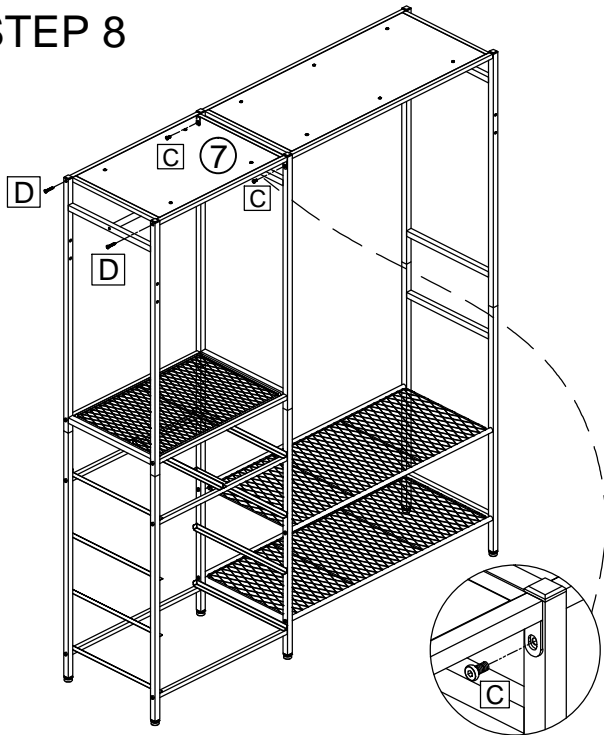


STEP 7

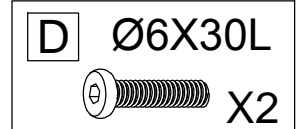
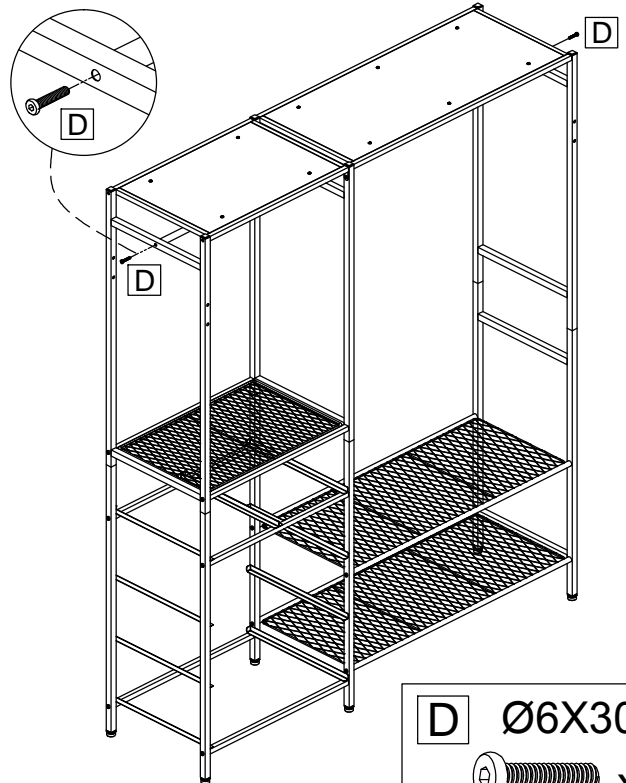


INSTALLATION INSTRUCTION

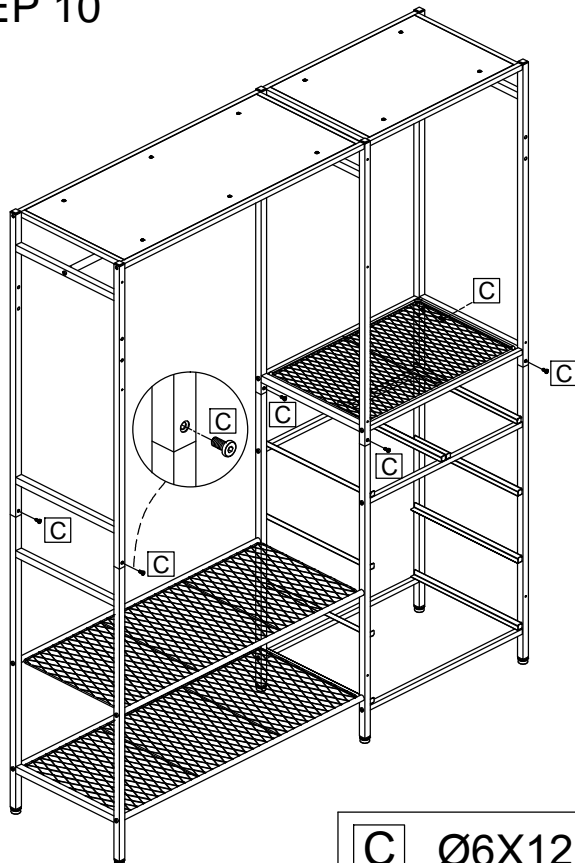
STEP 8



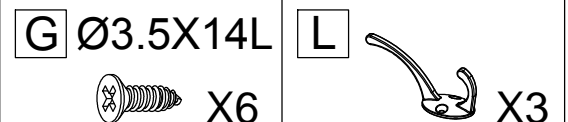
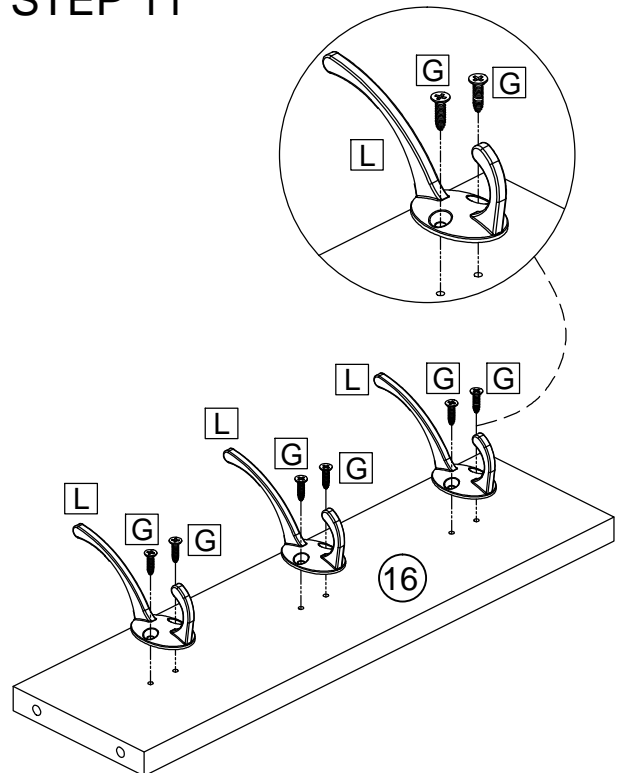
STEP 9



STEP 10

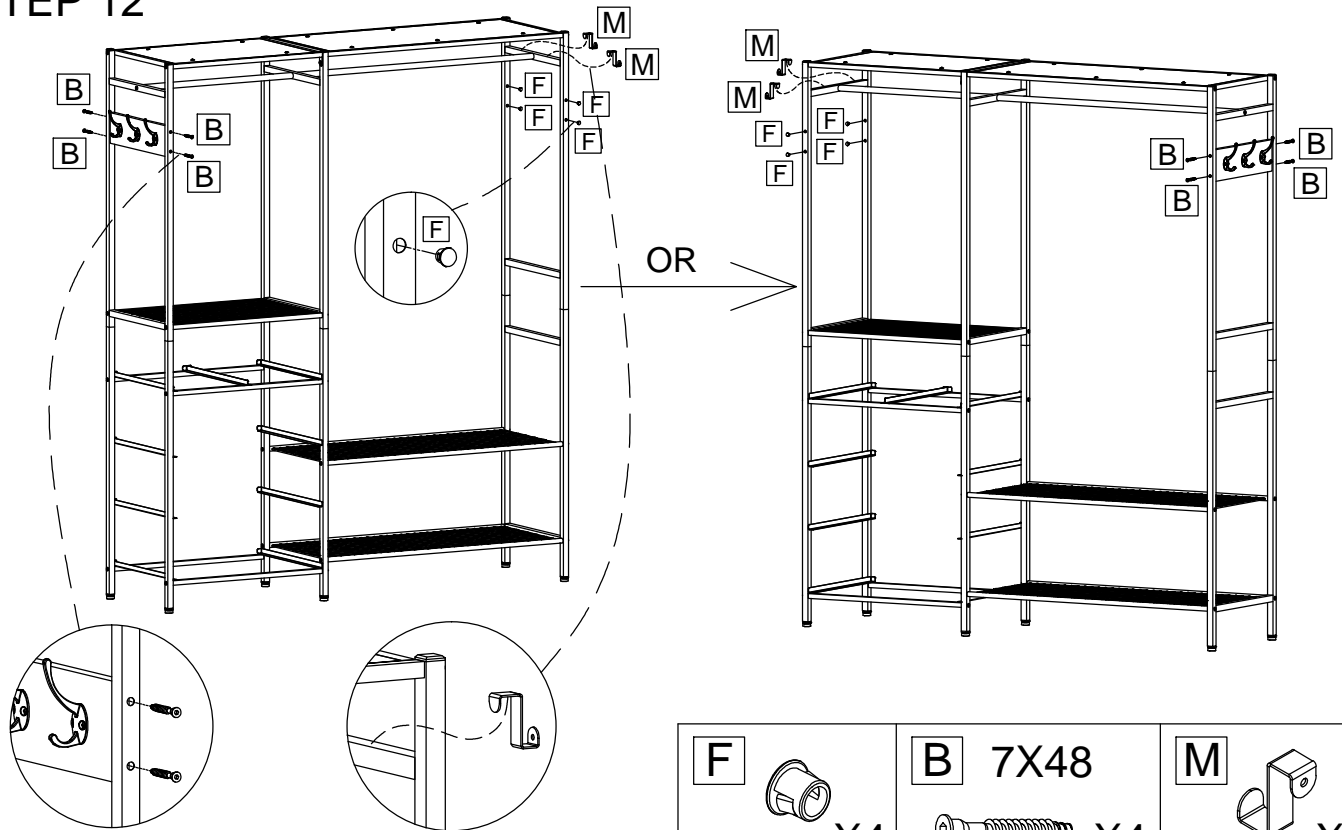



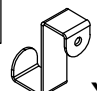

STEP 11



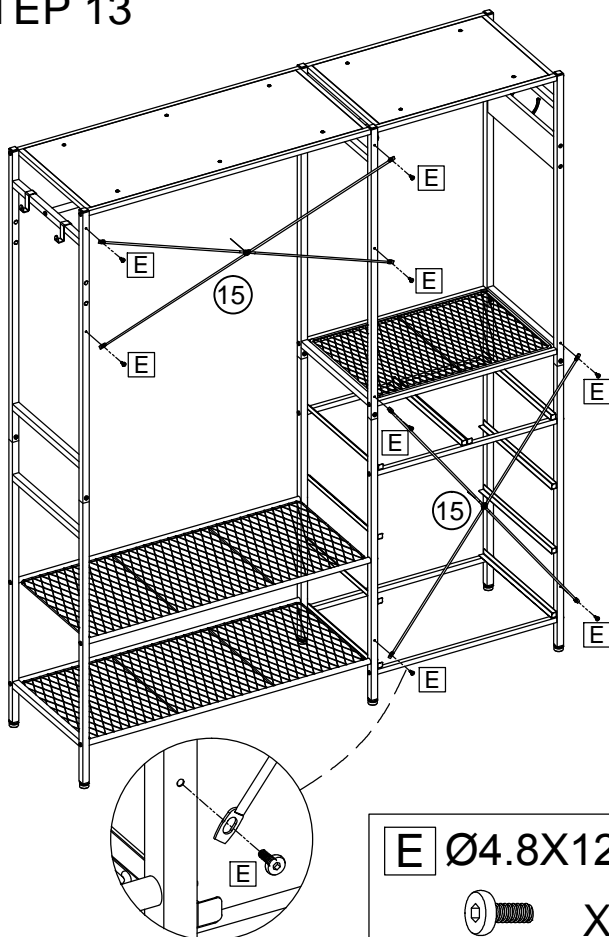
INSTALLATION INSTRUCTION


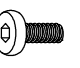
STEP 12



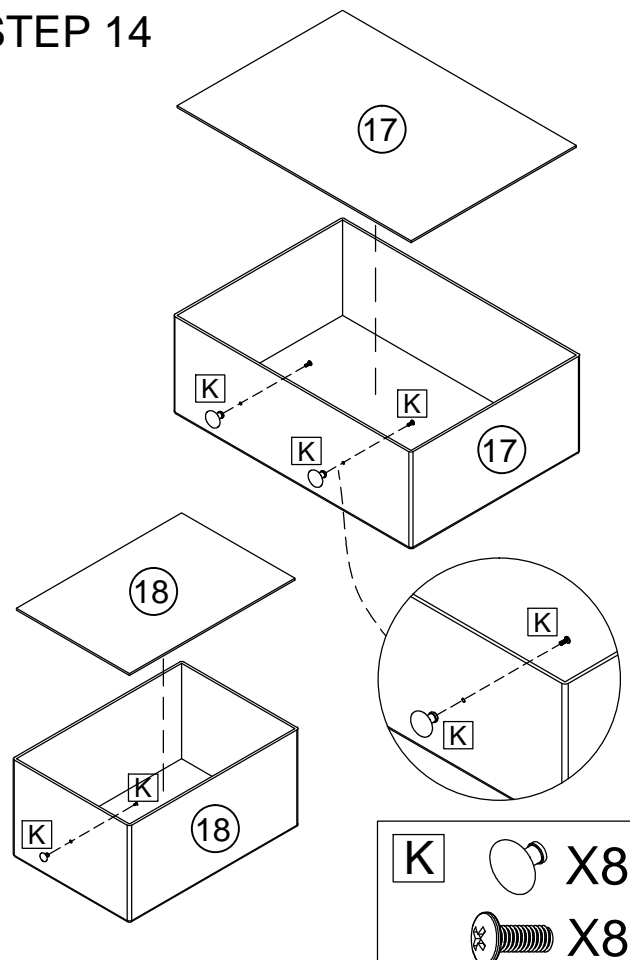
F		B 7X48	M	
	X4		X4	X2


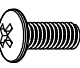
STEP 13



E		$\text{Ø}4.8 \times 12\text{L}$
	X8	

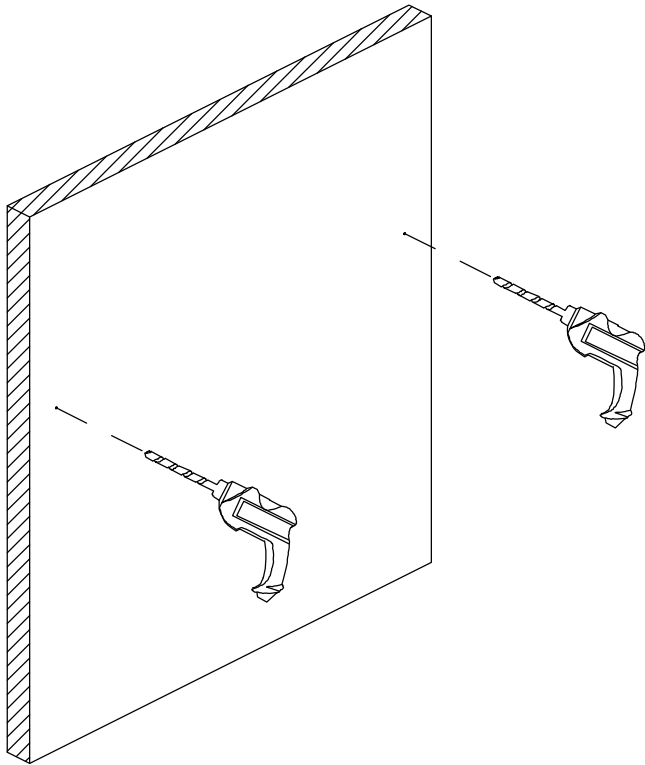
STEP 14



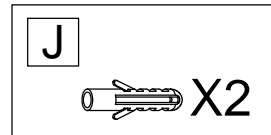
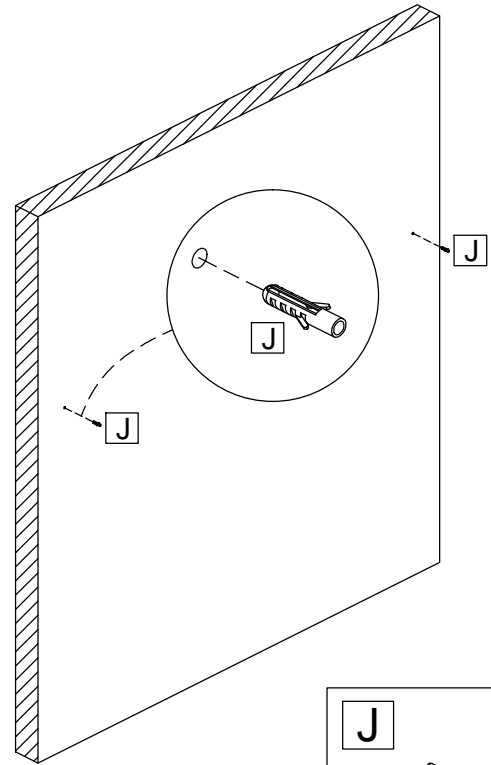
K		X8
		X8

INSTALLATION INSTRUCTION

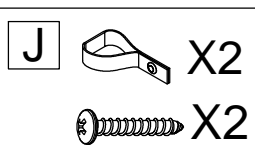
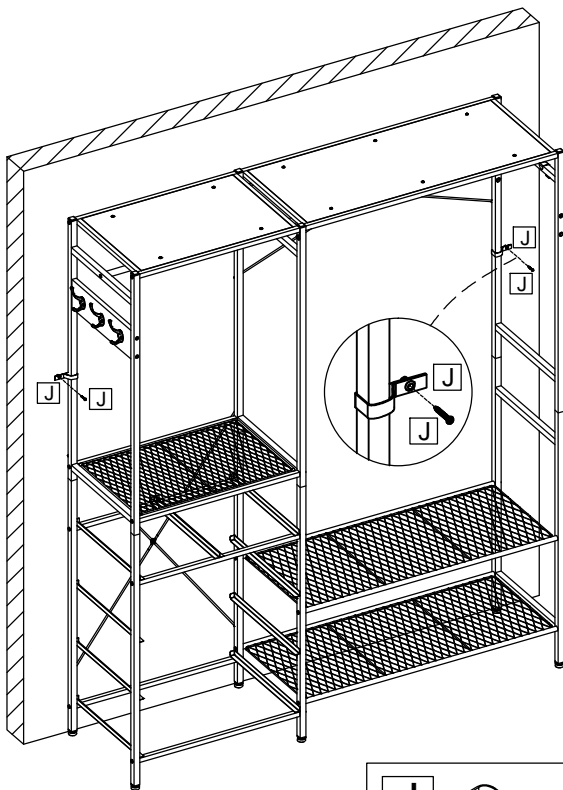
STEP 15



STEP 16



STEP 17



STEP 18

