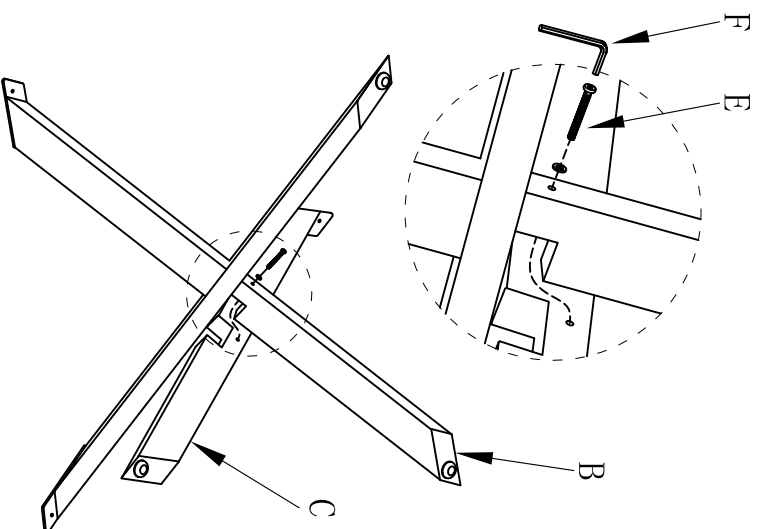
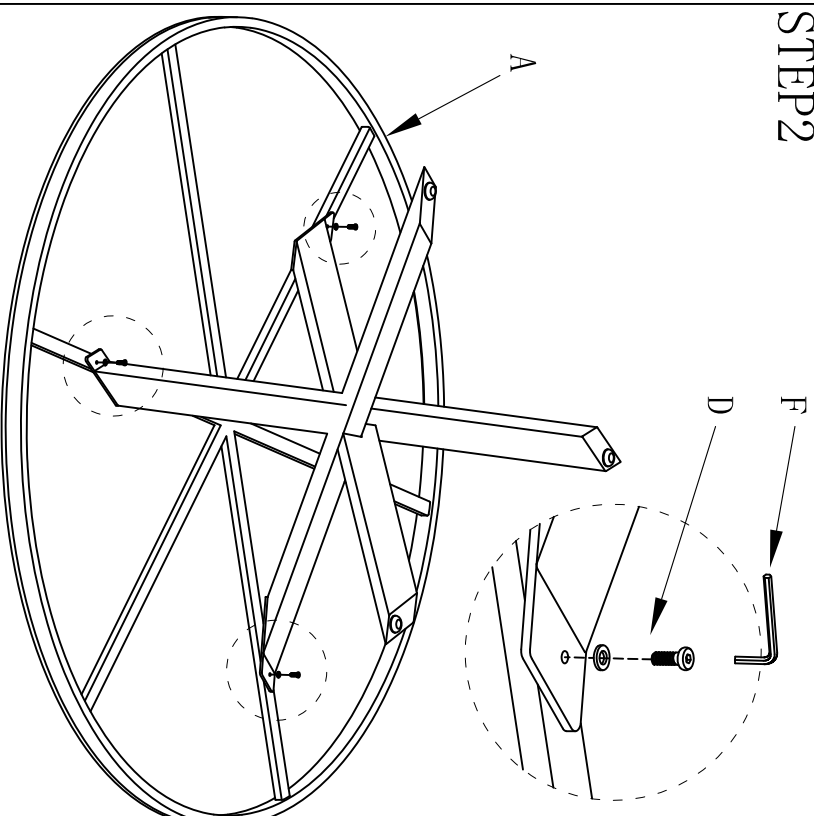


# Assembly Instructions

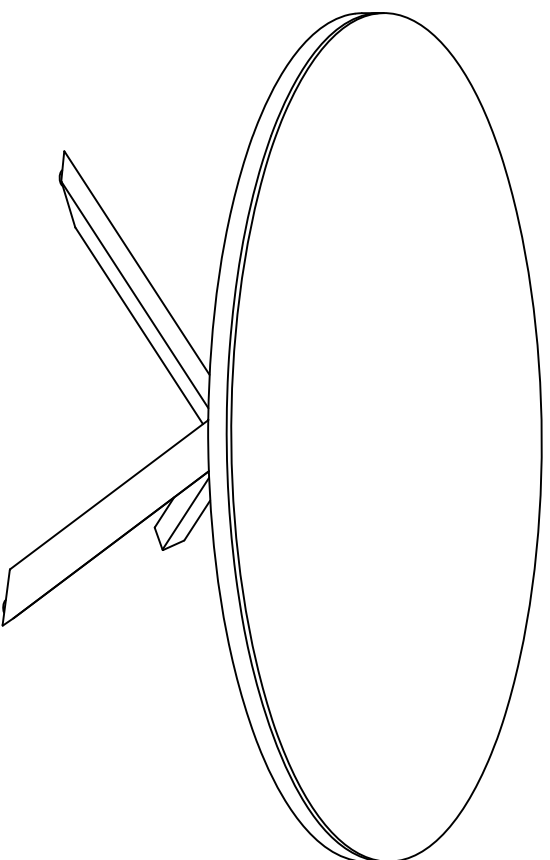
STEP1



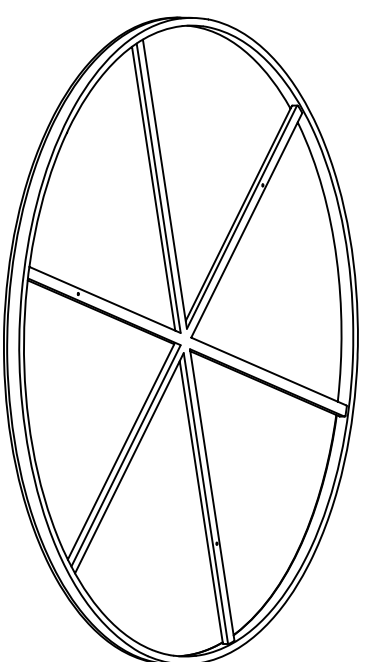
STEP2



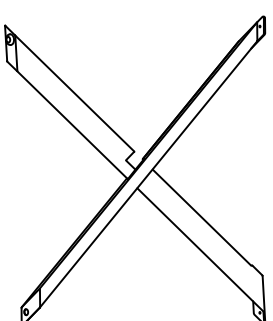
STEP3



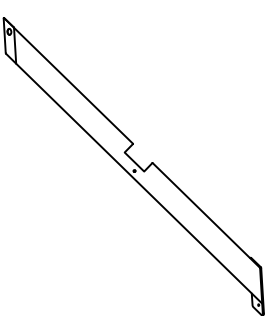
A  
1pcs



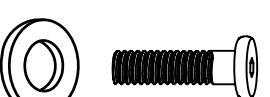
B  
1pcs



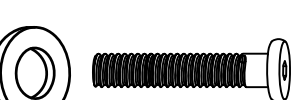
C  
1pcs



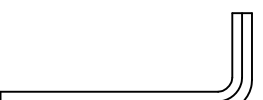
D  
3pcs



E  
1pcs



F  
1pcs



M6\*16mm

M6\*60mm