

3 PCS RESIN WICKER SEATING SET

Instruction Manuals



A buddy is helpful
for assembly.



Questions?
[www.TeamCustomer
Service.com](http://www.TeamCustomerService.com)

CUSTOMER SERVICE



Contact us through our website:
www.TeamCustomerService.com

If you have a question about assembly, use or a possible missing part, please contact us and we will be glad to assist you.

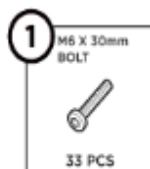
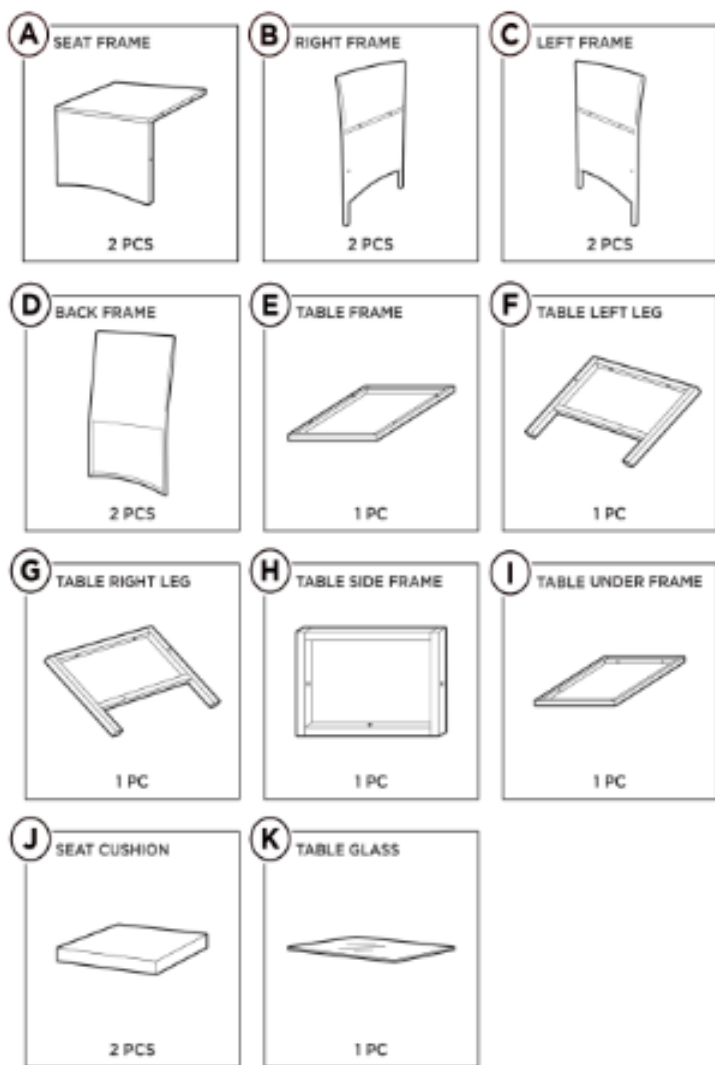
CARE AND MAINTENANCE

- Use a sponge to wash with a mild solution of soap and water. Rinse with water and allow to dry completely before use.
- Cushion cover cleaning: Remove the cushions from the cushion covers and set the cushions aside. Mix about 1 tablespoon of mild laundry detergent or dish wash in about two cups of warm water and stir until frothy. Dampen a sponge in this solution. Using the dampened and soapy sponge, gently clean the cushion fabric. For particularly tough dirt stains, try to dislodge with the soft-bristle brush, lightly soak in the soap solution. After cleaning the cushion covers, let them hang-dry for 1 hour.
- Glass cleaning: Clean the glass with a mild glass cleaner solution.
- Cover the furniture when not in use.

IMPORTANT

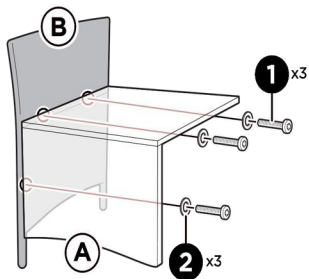
- Regularly check all fastening to make sure that they are properly tightened.
- Do not stand on the product or use as a step ladder. Use proper supervision for children.

PARTS LIST & HARDWARE

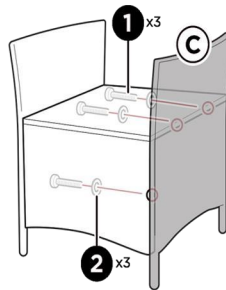


CHAIR ASSEMBLY

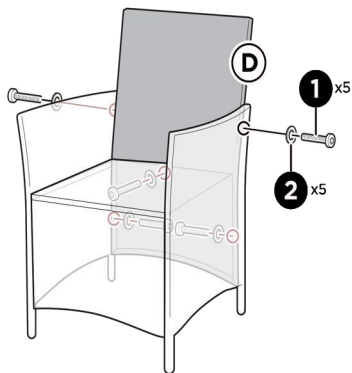
1 Attach one a part A seat frame to one part B right frame with three part 1 bolts and three part 2 washers.



2 Attach one part C left frame to the seat frame with three part 1 bolts and three part 2 washers.



3 Attach one part D back frame to the right and left frames with five part 1 bolts and four part 2 washers.



4 Place one part J seat cushion onto the seat frame and your chair is assembled. Repeat steps 1-4 to assemble the second chair.

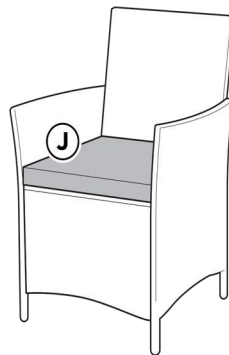
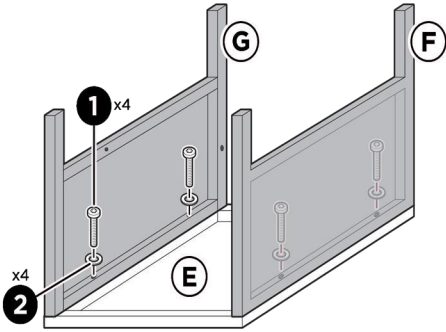
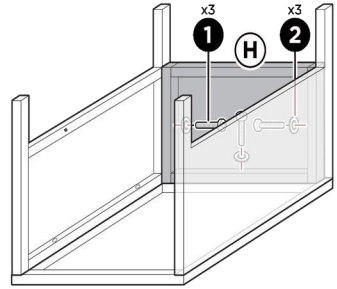


TABLE ASSEMBLY

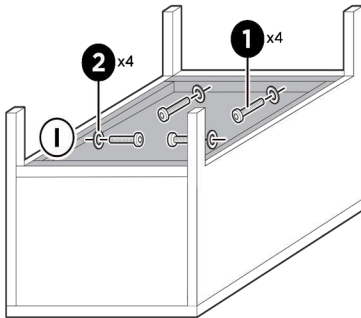
- 1** Attach the part F and G table legs to the part E table frame with four part 1 bolts and four part 2 washers.



- 2** Insert the part H table side frame between the table legs and secure with three part 1 bolts and three part 2 washers.



- 3** Attach the part I table under frame to the table leg and side frames with four part 1 bolts and four part 2 washers.



- 4** Place the part K table glass onto the tabletop and your table is assembled.

