




# ASSEMBLY INSTRUCTIONS

## NIGHT STAND

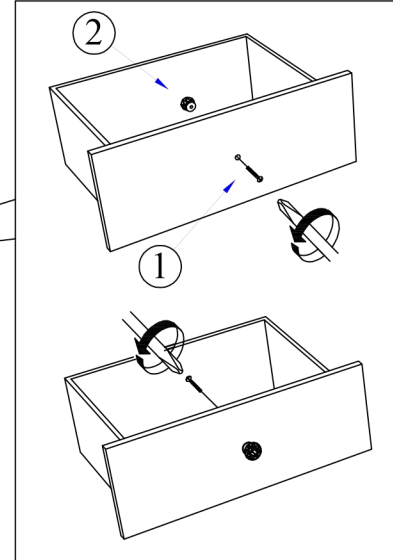
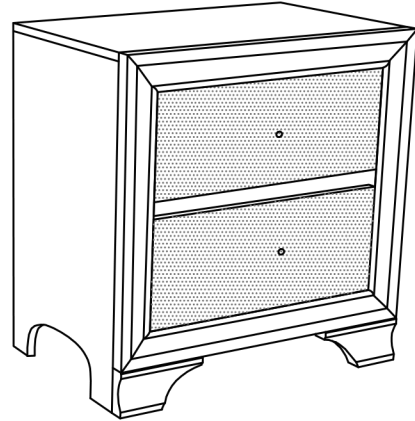
### (BOX 1) BOX OF NIGHT STAND

NO	ITEM	QTY
	NIGHT STAND	
A		1 PC

### (BOX 1) HARDWARE LIST

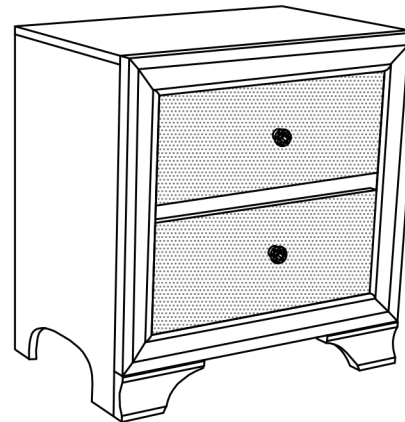
NO	ITEM	QTY
1	Truss Head Machine Screw m4x28mm Blk 	2 PCS
2	HANDLE 	2 PCS

**STEP 1 :** Remove HANDLE ( 2 ) using a Philips head screw driver as shown in illustration STEP - A. Re-install the HANDLE ( 2 ) as per diagram STEP - B. Repeat STEP - A STEP - B until HANDLE ( 2 ) are attached correctly.



STEP - A

STEP - B



**COMPLETED ASSEMBLY**

NOTE : MUST TIGHTEN SCREWS PERIODCALLY OR SCREWS WILL BECOME LOOSE.CHECK TIGHTNESS OF ALL SCREWS EVERY 6-8 WEEKS.