



Underscore® Rectangle

60" x 30" alcove VibrAcoustic® bath
K-1167-RVB

Features

- VibrAcoustic calms and soothes with sound vibration technology.
- Six concealed speakers send sound waves through the water to gently massage the body.
- Six original instrumental compositions offer different levels of relaxation.
- Syncs with devices enabled with BLUETOOTH® wireless technology including smartphones, MP3 players, tablets, and laptops located up to 33 feet away.*
- Customize your experience with the high-resolution color touch screen.
- Fully-adjustable volume above and below the water.
- Functions as a hydrotherapy bath when full of water and a stereo system when empty.
- Slotted overflow allows for deep soaking.
- Integral flange helps prevent water from seeping behind wall and simplifies alcove installation.
- Includes 25' of wiring and amplifier.

Material

- Acrylic.

Installation

- Right drain.
- Alcove.
- Requires 110 V electrical service.

Required Products/Accessories

K-7271 Brass Slotted Overflow Bath Drain

or

K-7272 PVC Slotted Overflow Bath Drain

or

K-706000-D3 Frameless Sliding Bath Door

or

K-706000-L Frameless Sliding Bath Door

or

K-706003-L Frameless Sliding Bath Door

or

K-706004-D3 Frameless Sliding Bath Door

or

K-706004-L Frameless Sliding Bath Door

or

K-706007-L Frameless Sliding Bath Door

Recommended Products/Accessories

1184460 Undermount installation kit

K-1491 Bath/Whirlpool Pillow

K-1601 Bath/whirlpool footstop, removable

K-23726 Drain treatment

K-23732 Tub & shower cleaner



ADA

Codes/Standards

CSA B45.5/IAPMO Z124

ASTM E162

ASTM E662

UL 1795

CSA C22.2 No. 218.2

ADA

ICC/ANSI A117.1

KOHLER® Plastic Baths and Receptors Lifetime Limited Warranty

See website for detailed warranty information.

The BLUETOOTH® word mark and logos are registered trademarks owned by Bluetooth SIG, Inc. and any use of such marks by Kohler Co. is under license. Other trademarks and trade names are those of their respective owners.

Available Colors/Finishes

Color tiles intended for reference only.

Color	Code	Description
	0	White
	96	Biscuit
	NY	Dune
	95	Ice™ Grey
	G9	Sandbar
	33	Mexican Sand™
	K4	Cashmere
	58	Thunder™ Grey
	7	Black Black™

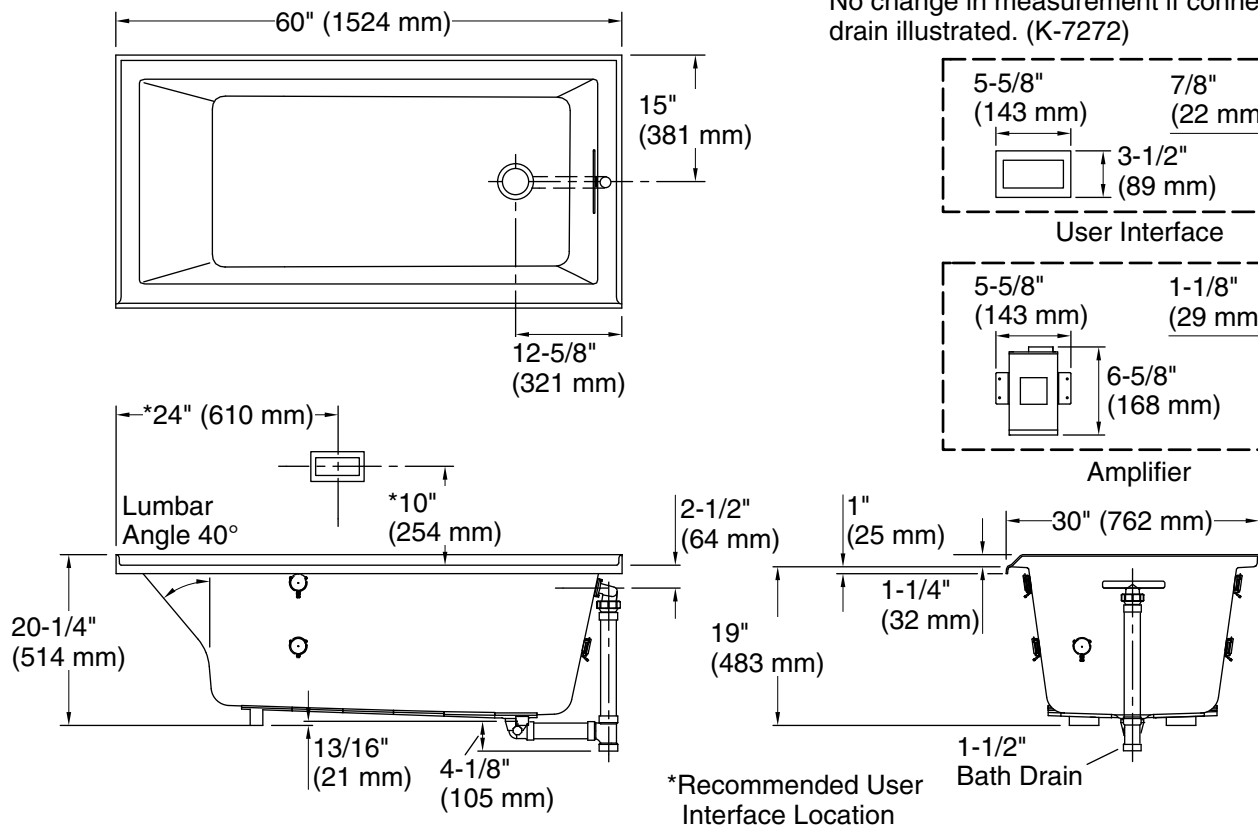
1-800-4KOHLER (1-800-456-4537)

Kohler Co. reserves the right to make revisions without notice to product specifications.

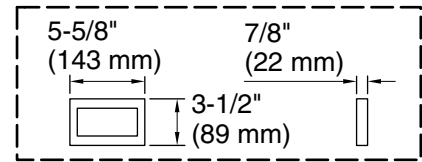
For the most current Specification Sheet, go to www.kohler.com.

5-29-2021 14:33 - US/CA

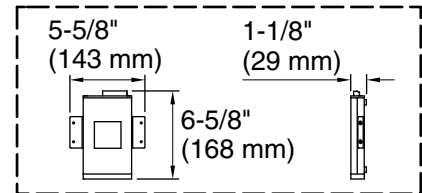
THE BOLD LOOK
OF **KOHLER**®



No change in measurement if connected with drain illustrated. (K-7272)



User Interface



Amplifier

Required Electrical Service

One circuit required, protected with Class A Ground-Fault Circuit-Interrupter (GFCI). Outside North America, this device may be known as a Residual Current Device (RCD).

Amplifier: 120 V, 15 A, 50/60 Hz

Technical Information

All product dimensions are nominal.

Installation: Three-wall alcove

Drain location: Right

Basin area, bottom: 42-3/8" x 20" (1076 mm x 508 mm)

Basin area, top: 54-3/8" x 24-5/16" (1381 mm x 618 mm)

Weight: 80 lbs (36.3 kg)

Minimum floor load: 50 lbs/ft² (244.1 kg/m²)

Water depth: 15-1/16" (383 mm)

Water capacity: 59.8 gal (226.4 L)

Electrical component rating: Amplifier: 120 V, 1.1 A, 50/60 Hz

Amplifier channels: 2 at 15 W per channel
2 at 30 W per channel

Bluetooth® range: 33 ft (0.8 m)

Bluetooth® version: 3.0

Notes

Measure your actual product for rough-in details.

Install this product according to the installation instructions.

The hot water supply should be 70% of the capacity of the bath or greater. Installations will vary.

Control amplifier fits 16" (406 mm) center studs. 25' (7.6 m) cables are included.

IMPORTANT! Due to BLUETOOTH signal overlap, installations of multiple baths within 50 ft (15.2 m) of each other will require special order product. Please contact your dealer, showroom, or sales representative for ordering assistance.

ADA compliant when installed to the specific requirements of these regulations.