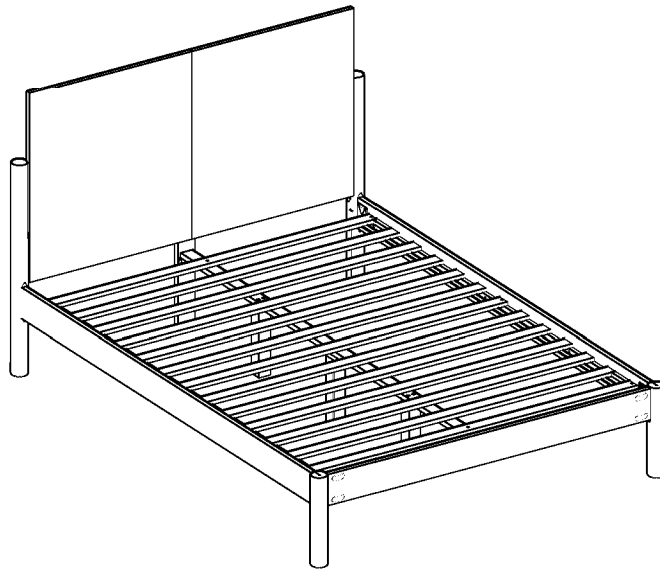
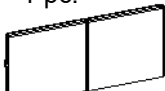










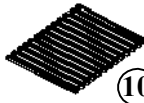







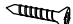



# ASSEMBLY INSTRUCTIONS



## COMPONENT

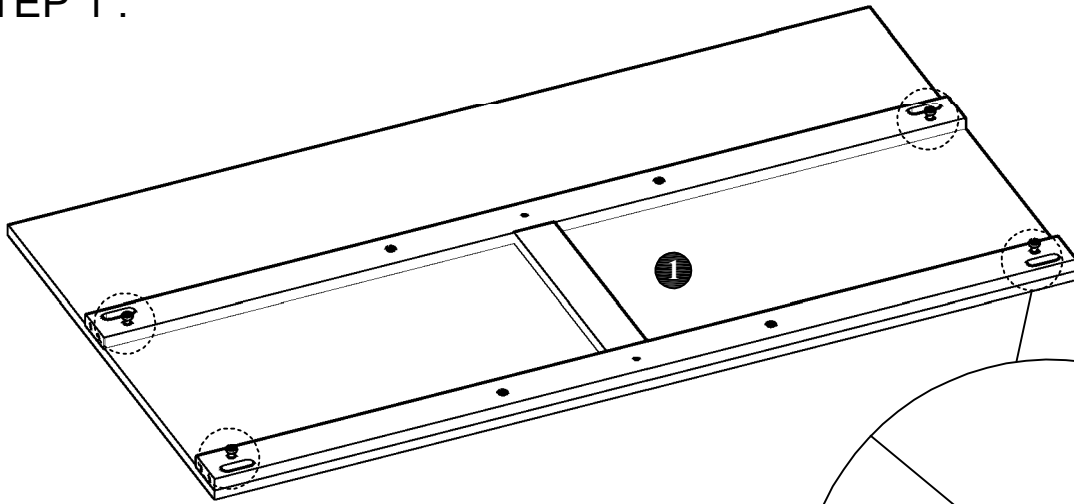
Headboard - 1 pc.  ①	Headboard Leg (Left) - 1 pc.  ②L	Headboard Leg (Right) - 1 pc.  ②R	Headboard Support Leg - 1 pc.  ③	Footboard Leg (Left) - 1 pc.  ④L	Footboard Leg (Right) - 1 pc.  ④R	Footboard - 1 pc.  ⑤	Side Rail - 2 pcs.  ⑥		
Center Rail - 2 pcs.  ⑦	Center Leg (Middle) - 1 pc.  ⑧	Center Leg - 2 pcs.  ⑨	Slats - 13 pcs.(1set)  ⑩						

## HARDWARE

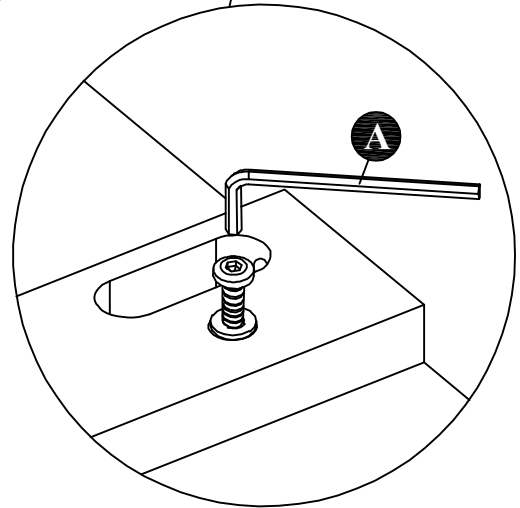
Allen Key M4 (Long Ball Head) - 1 pc.  ①A	JCBC Bolt M6 x 40mm - 12 pcs.  ②B	JCBC Bolt M6 x 35mm - 2 pcs.  ③C	JCBC Bolt M6 x 30mm - 2 pcs.  ④D	Wood Dowel M8 x 30mm - 8 pcs.  ⑤E	Wood Screw M3.5 x 16mm - 2 pcs.  ⑥F	Wood Screw M4 x 25mm - 8 pcs.  ⑦G	M6 Spring Washer - 8 pcs.  ⑧H
M6 Flat Washer (Small) - 2 pcs.  ⑨I							

# ASSEMBLY INSTRUCTIONS

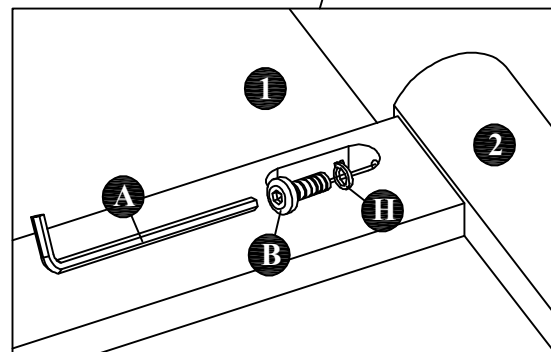
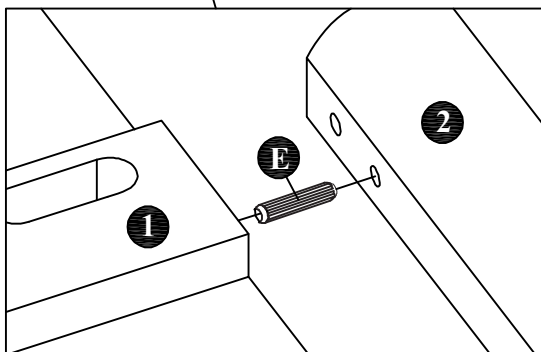
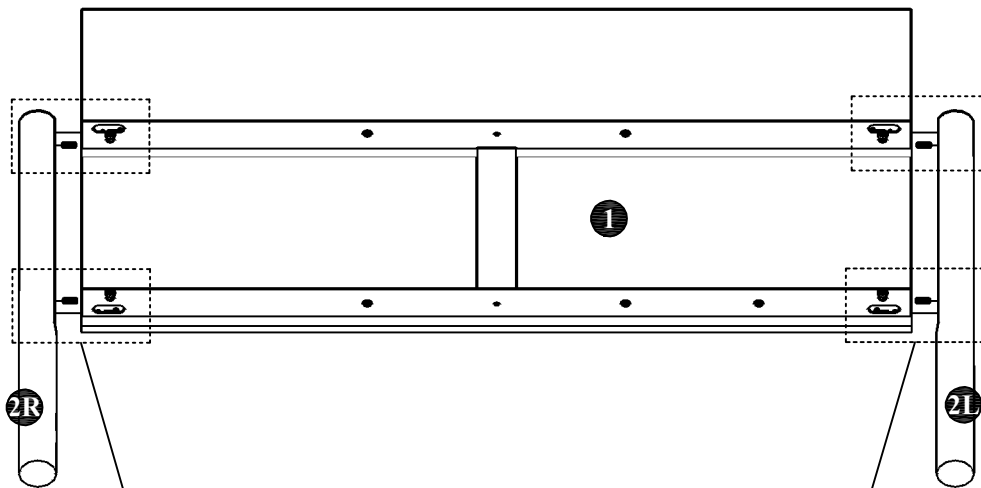
STEP 1 :



**Loose the 4 side  
Pre-installed bolt first**

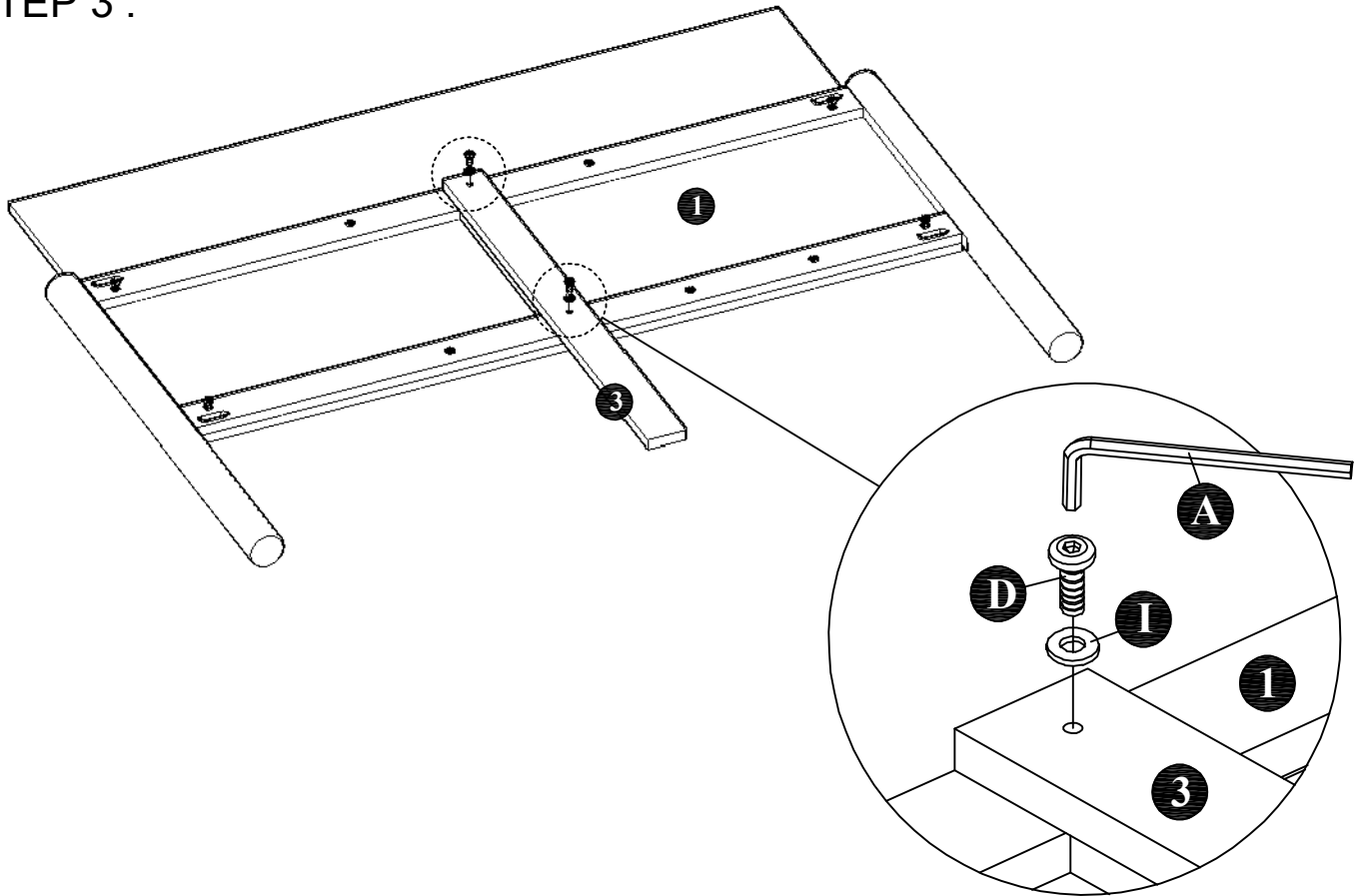


STEP 2 :

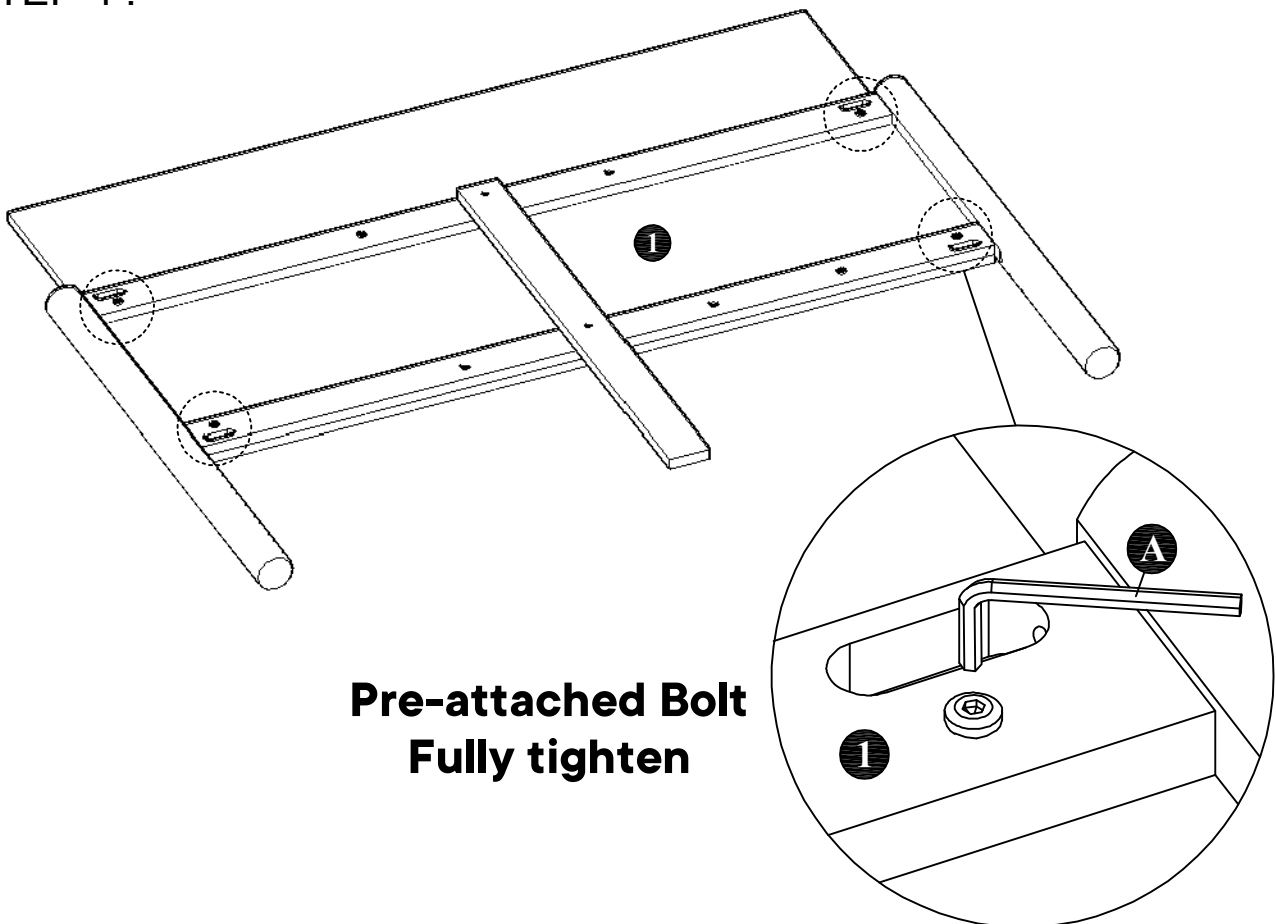


# ASSEMBLY INSTRUCTIONS

STEP 3 :

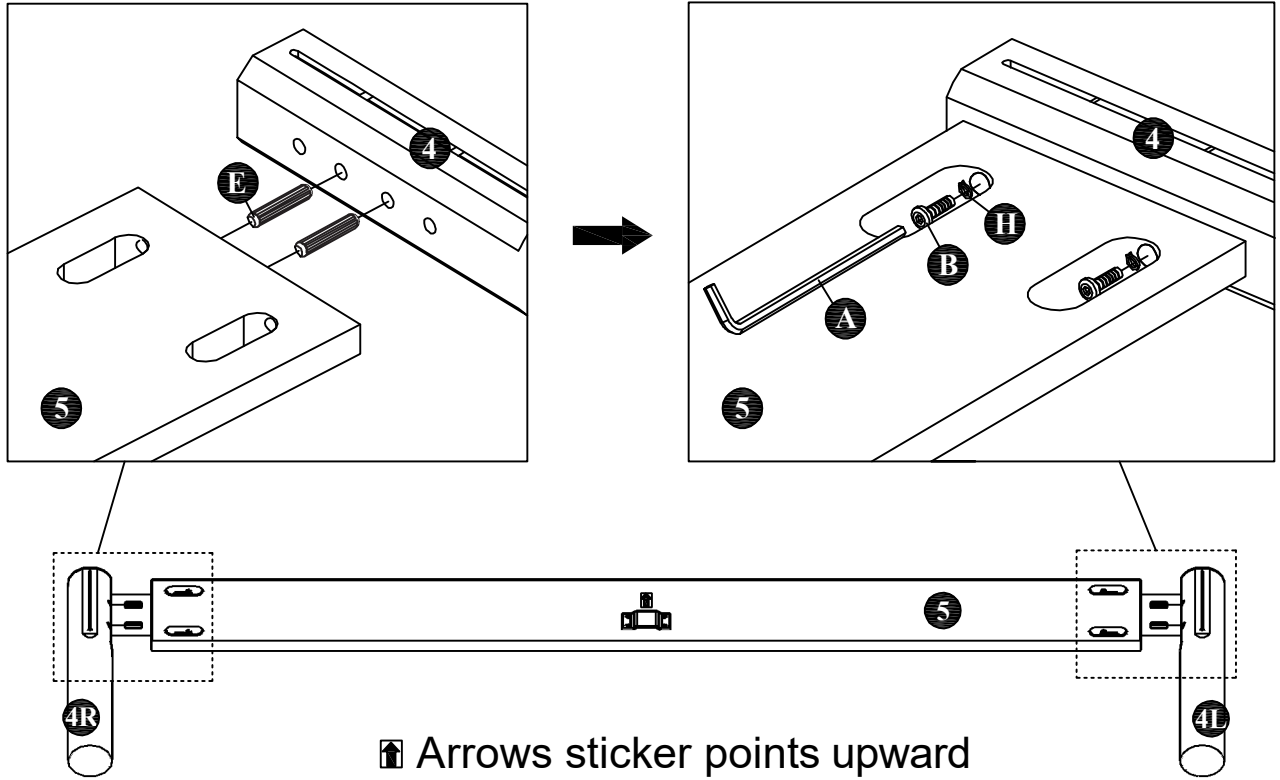


STEP 4 :

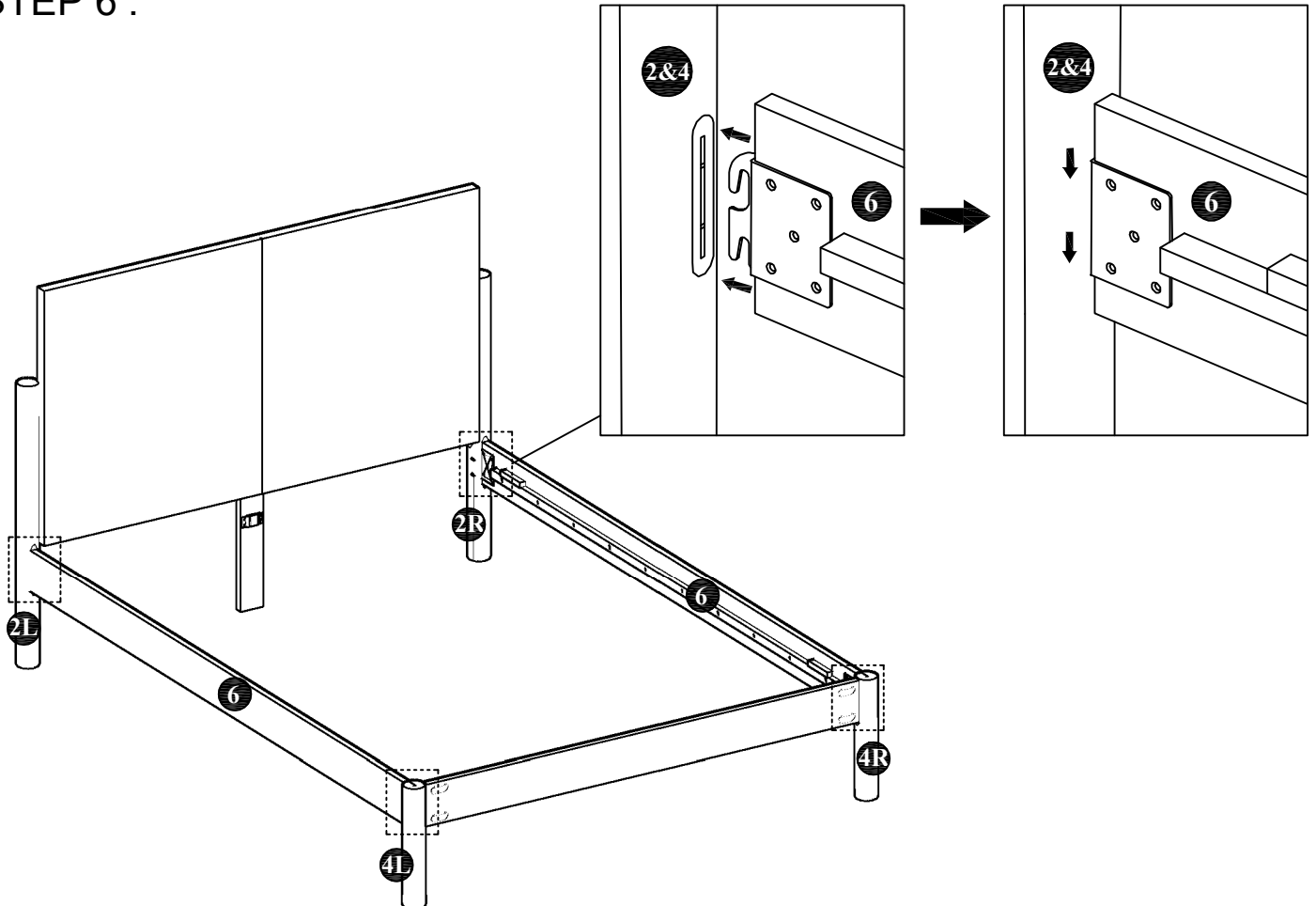


# ASSEMBLY INSTRUCTIONS

## STEP 5 :

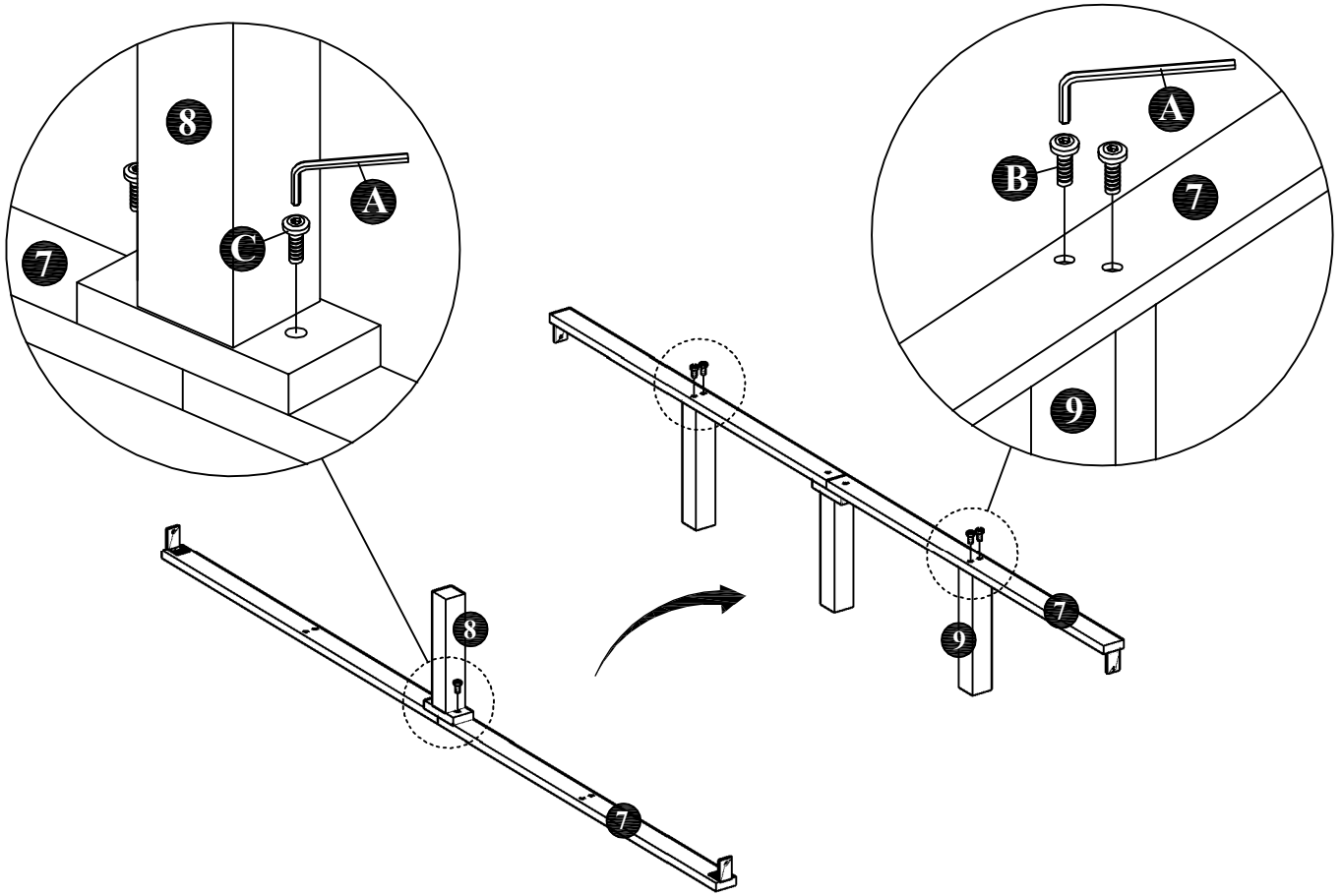


## STEP 6 :

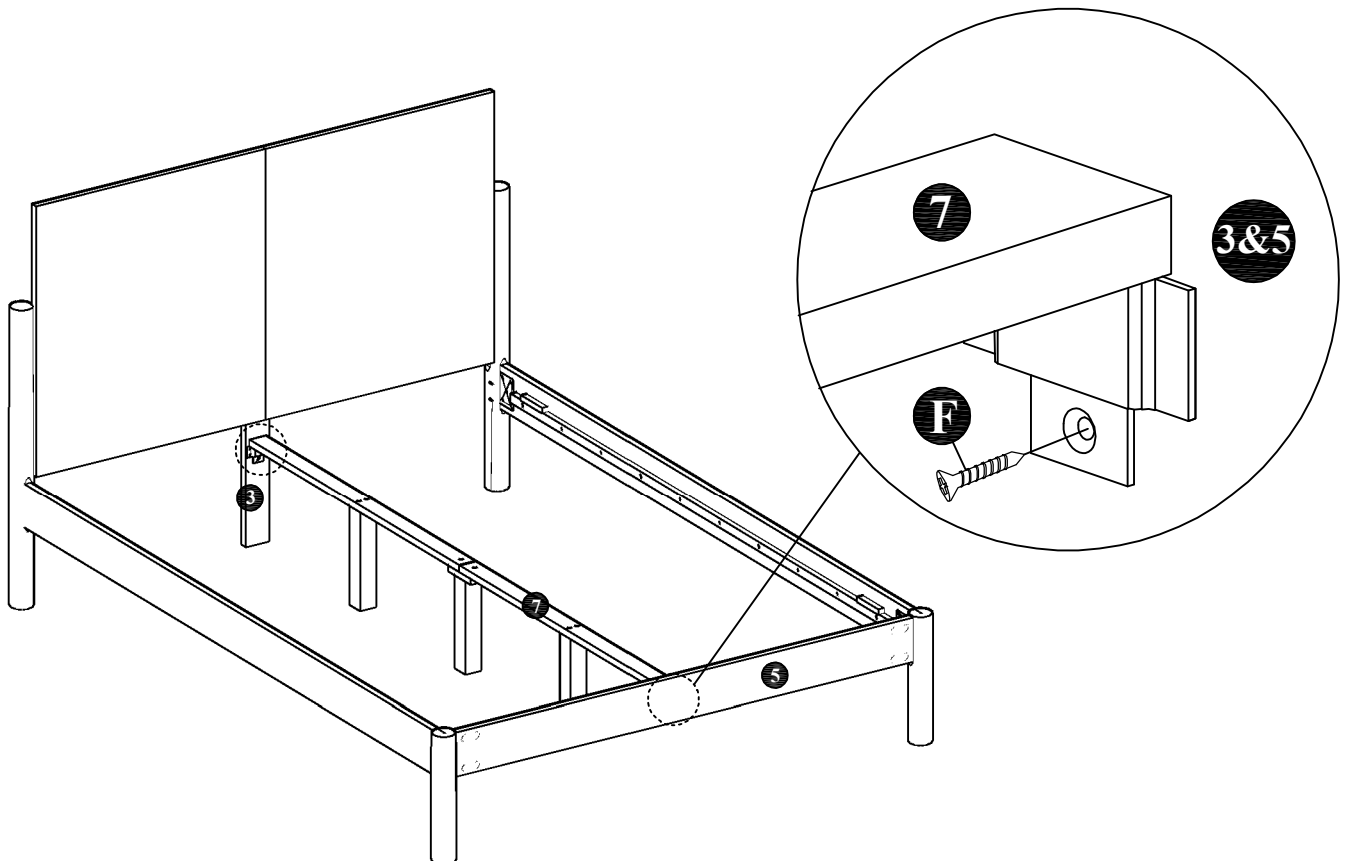


# ASSEMBLY INSTRUCTIONS

## STEP 7 :

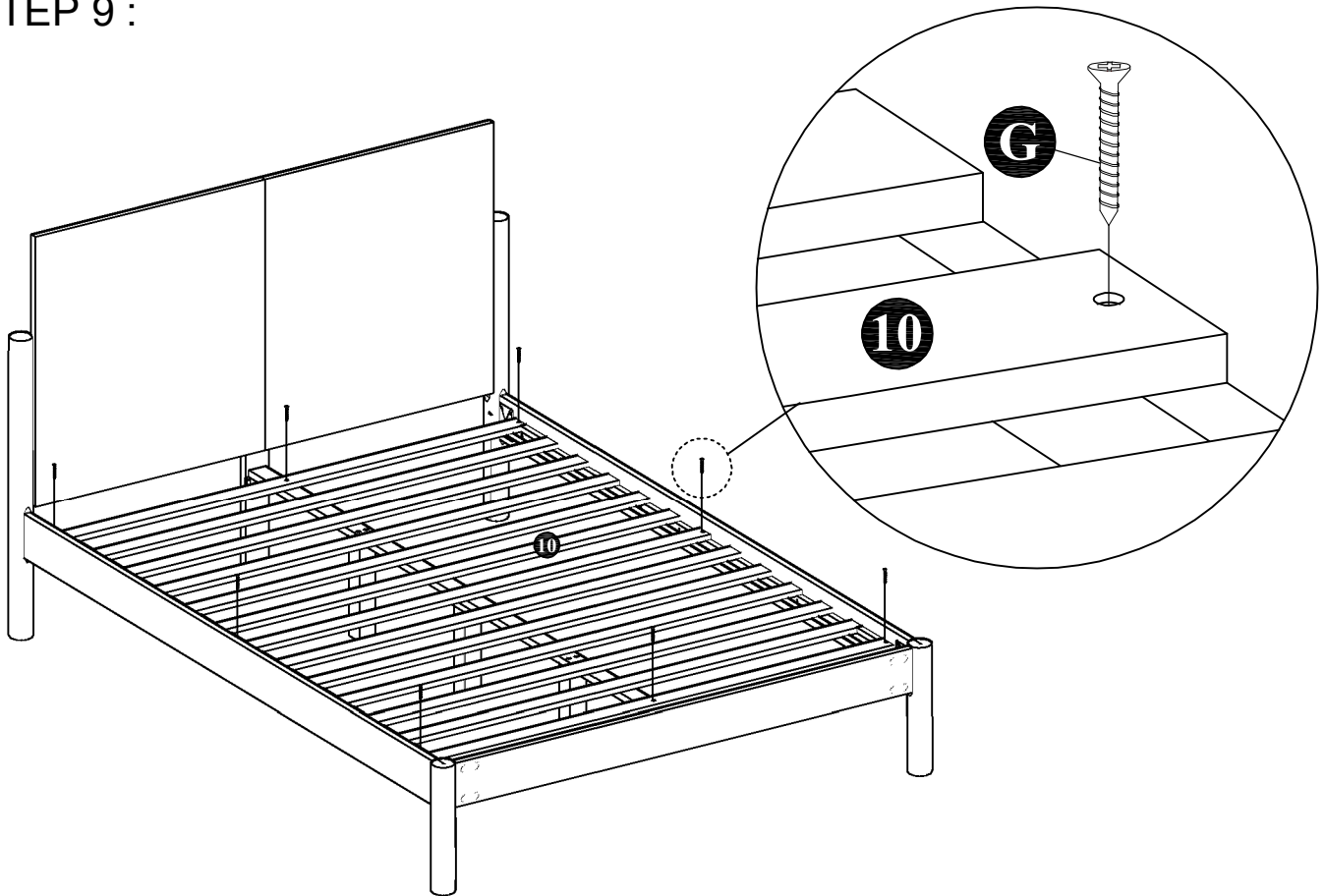


## STEP 8 :



# ASSEMBLY INSTRUCTIONS

STEP 9 :



## COMPLETE VIEW

**\*IMPORTANT\***

Please lift up the bed to move  
with 2 or more people.

**DO NOT DRAG THE BED!**

