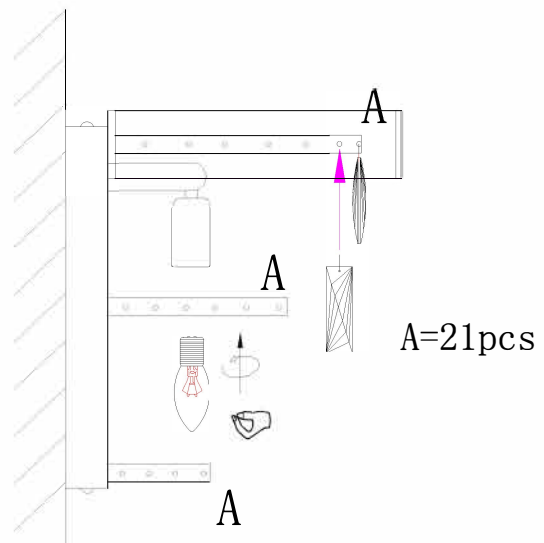
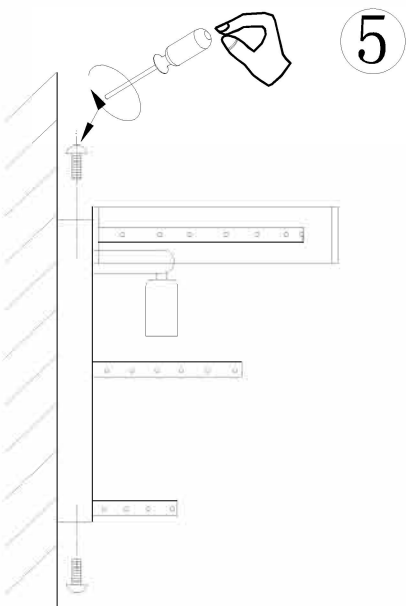
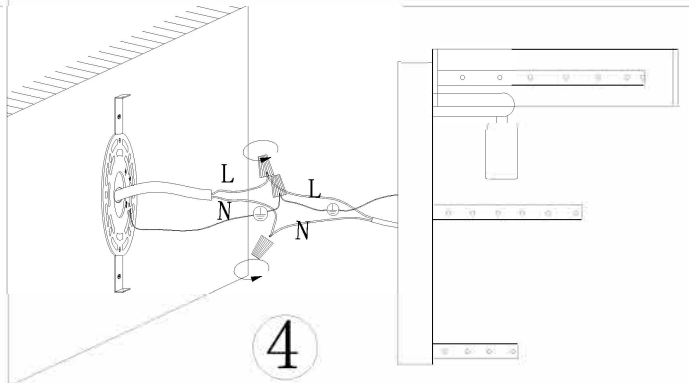
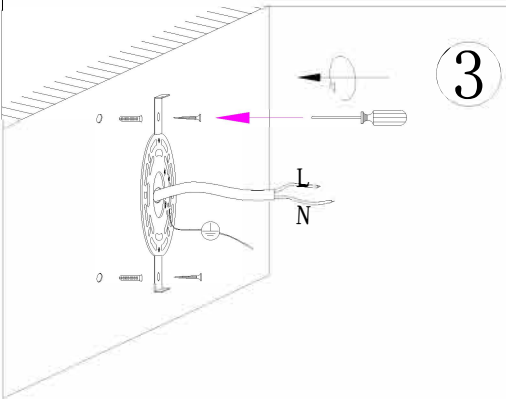
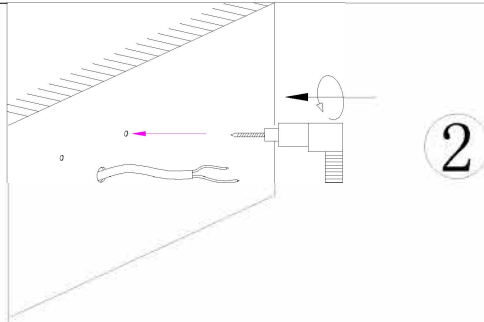
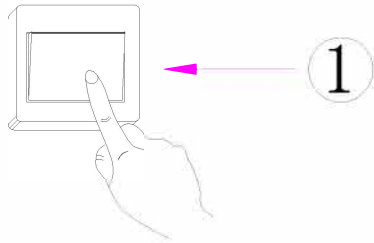


INSTALL INSTRUCTION



1. turn off the power
2. Positioning Hole
3. Padlock panel

4. Connect the power cord
5. Locking Plate screw, fixed lamp body
6. Put the light on, then hang the crystal pendant