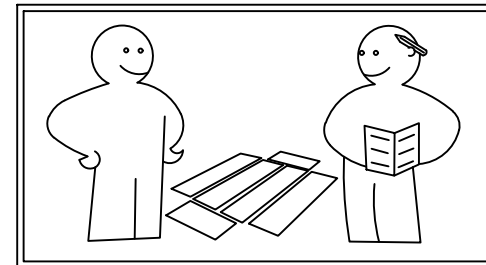
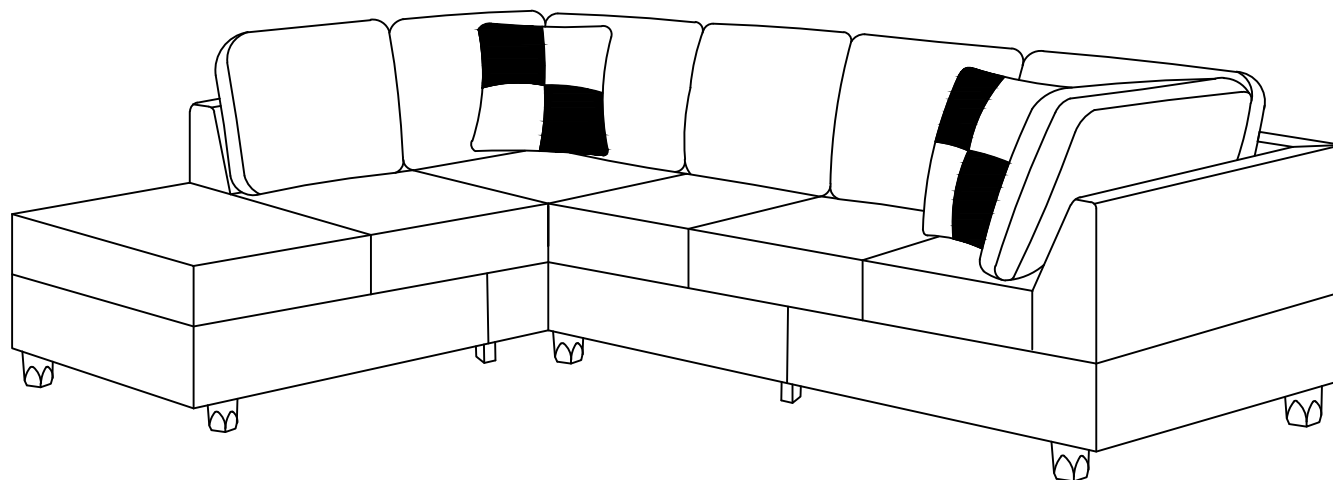


ASSEMBLY INSTRUCTION

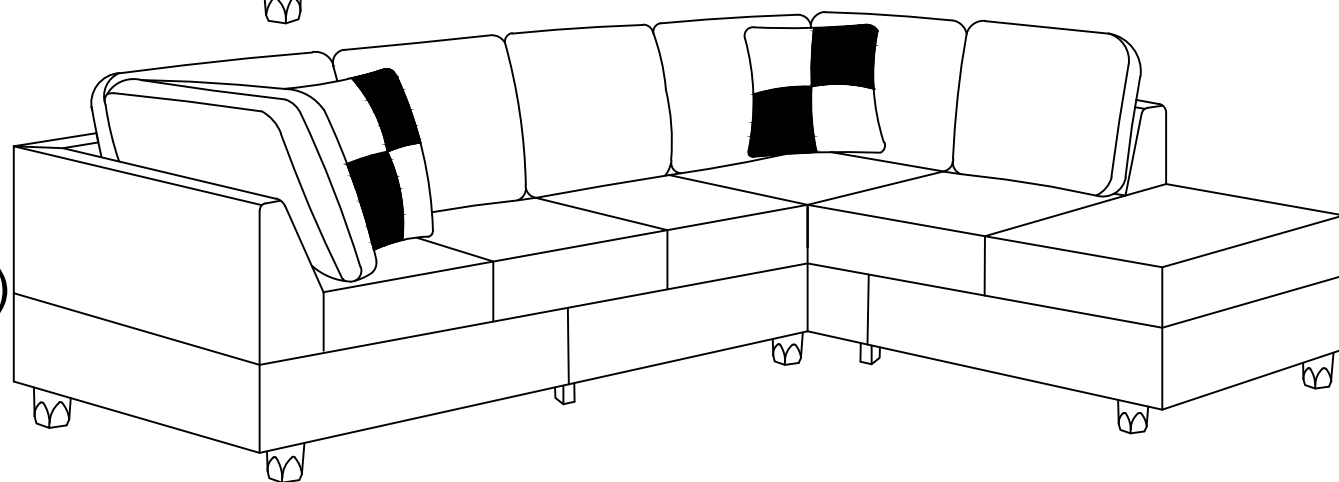


Attention:
Two people are required for assembly and lifting unit.

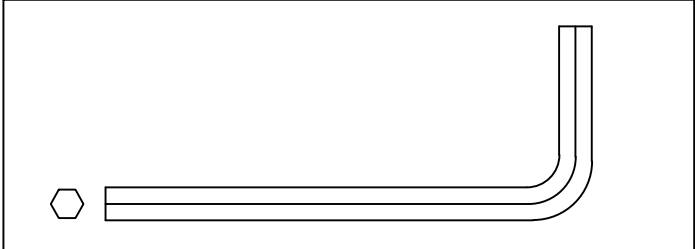


SECTIONAL(Left Facing Chaise)

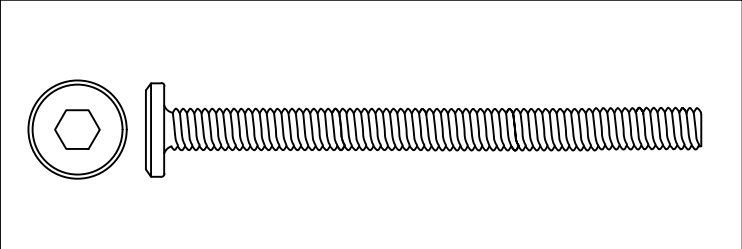
SECTIONAL(Right Facing Chaise)



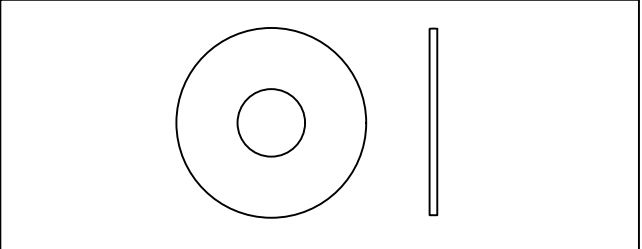
HARDWARE LIST



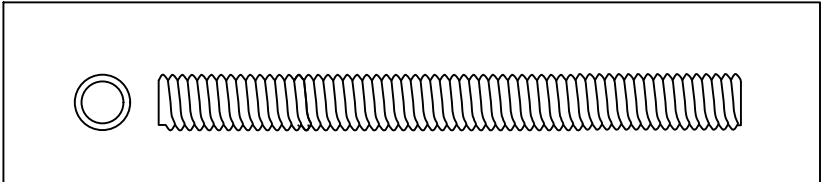
A	1PC
Allen Key M5	



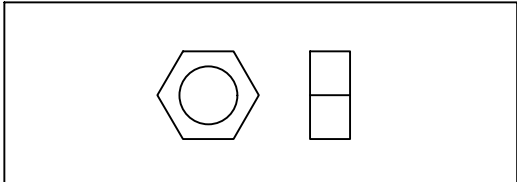
B	4PCS
JCBC Bolt M6 X 70mm	



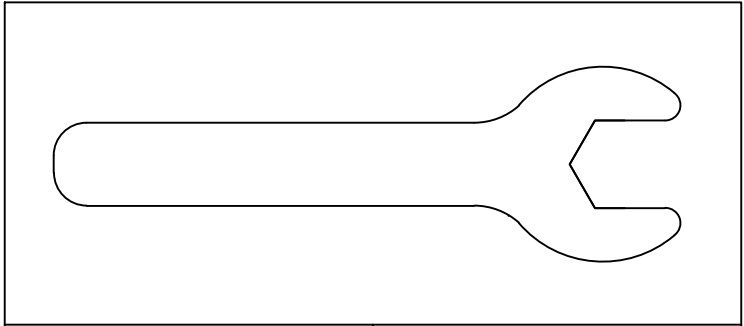
C	20PCS
Flat Washer 5/ 16 x 25mm	



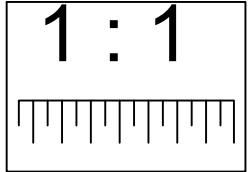
D	12PCS
Threaded Rod 5/16 x 75mm	



E	16PCS
Nut 5/16 x 12mm	

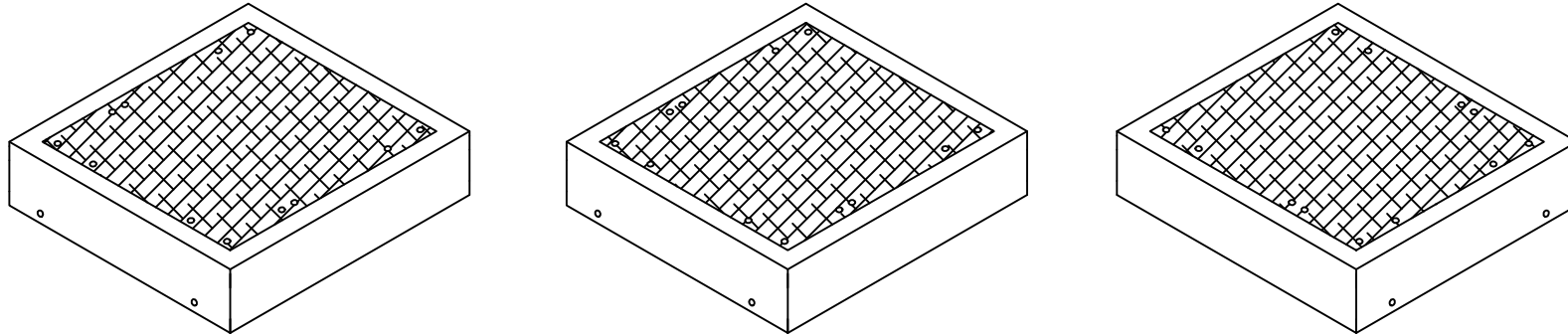


F	1PC
Spanner	



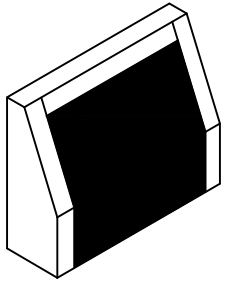
PART LIST

P1



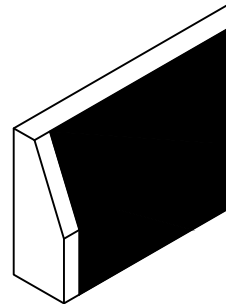
CHAISE BASE - (3PCS)

P2



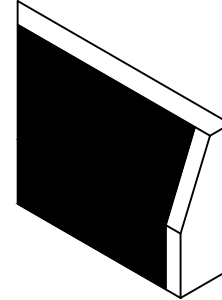
BACK REST - A (1PC)

P3



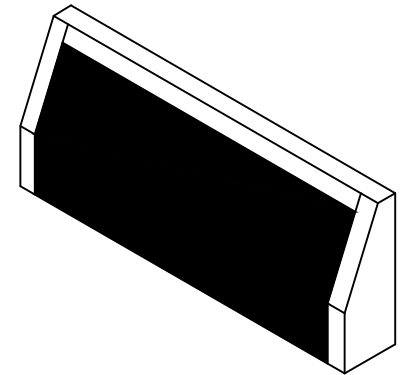
BACK REST - LEFT (2PCS)

P4



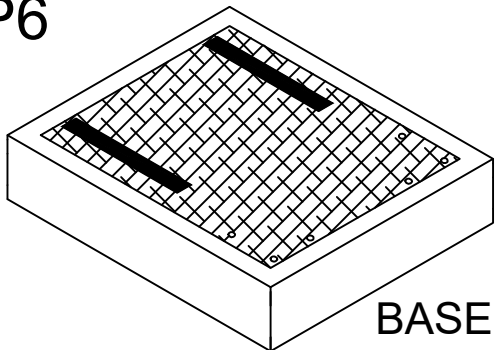
BACK REST - RIGHT (2PCS)

P5



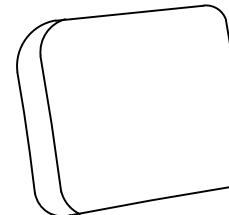
BACK REST (1PC)

P6



BASE WITH VELCRO TAPE (1PC)

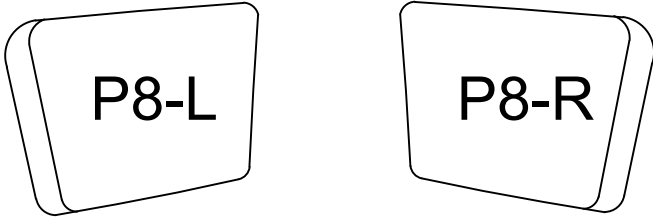
P7



BACK PILLOW
SMALL (1PC)

PART LIST

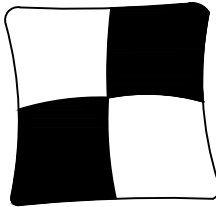
P8



P8-L **P8-R**

BACK PILLOW - CHAISE - LEFT (2PCS) & RIGHT (2PCS)

P9



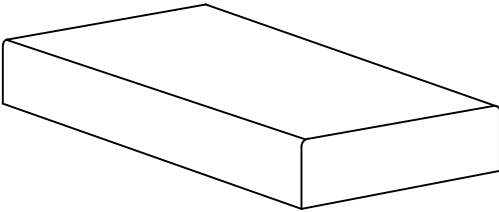
PILLOW (2PCS)

P10



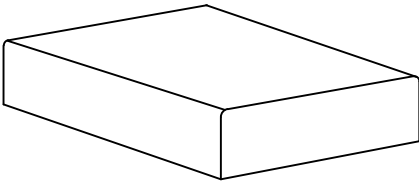
BACK PILLOW - CENTER (2PCS)

P11



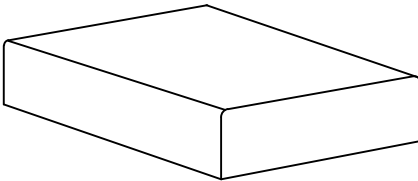
CHAISE CUSHION SEAT - A (1PC)

P12



MEDIUM CUSHION SEAT - B (3PCS)

P13



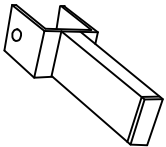
MEDIUM CUSHION SEAT - C (1PC)

P14



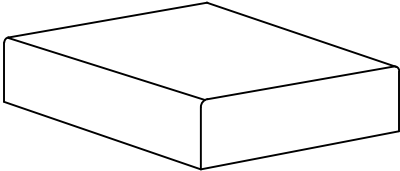
PLASTIC LEG (8PCS)

P15



METAL LEG (4PCS)

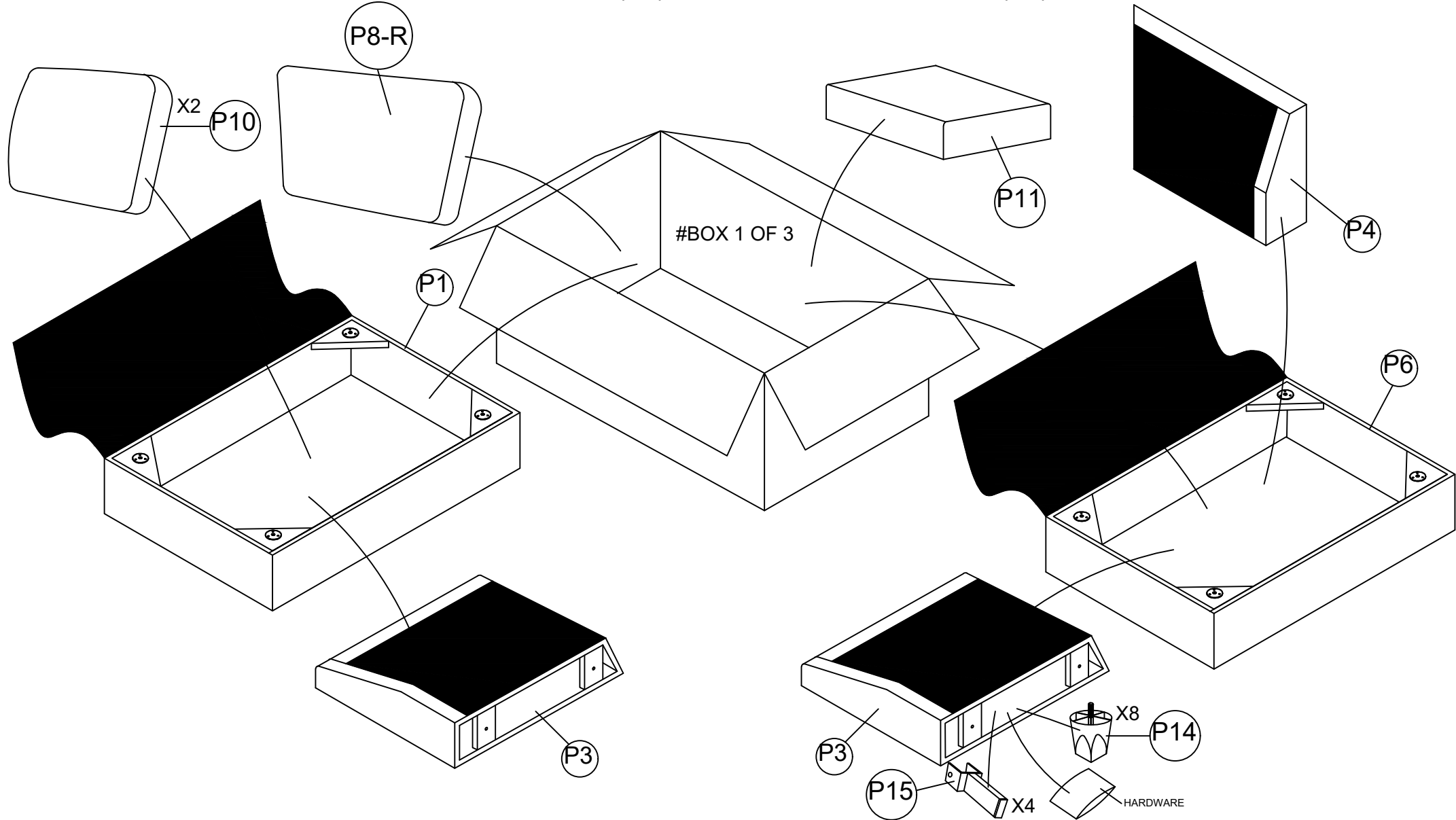
P16



CENTER CUSHION SEAT - D (1PC)

ASSEMBLY INSTRUCTION

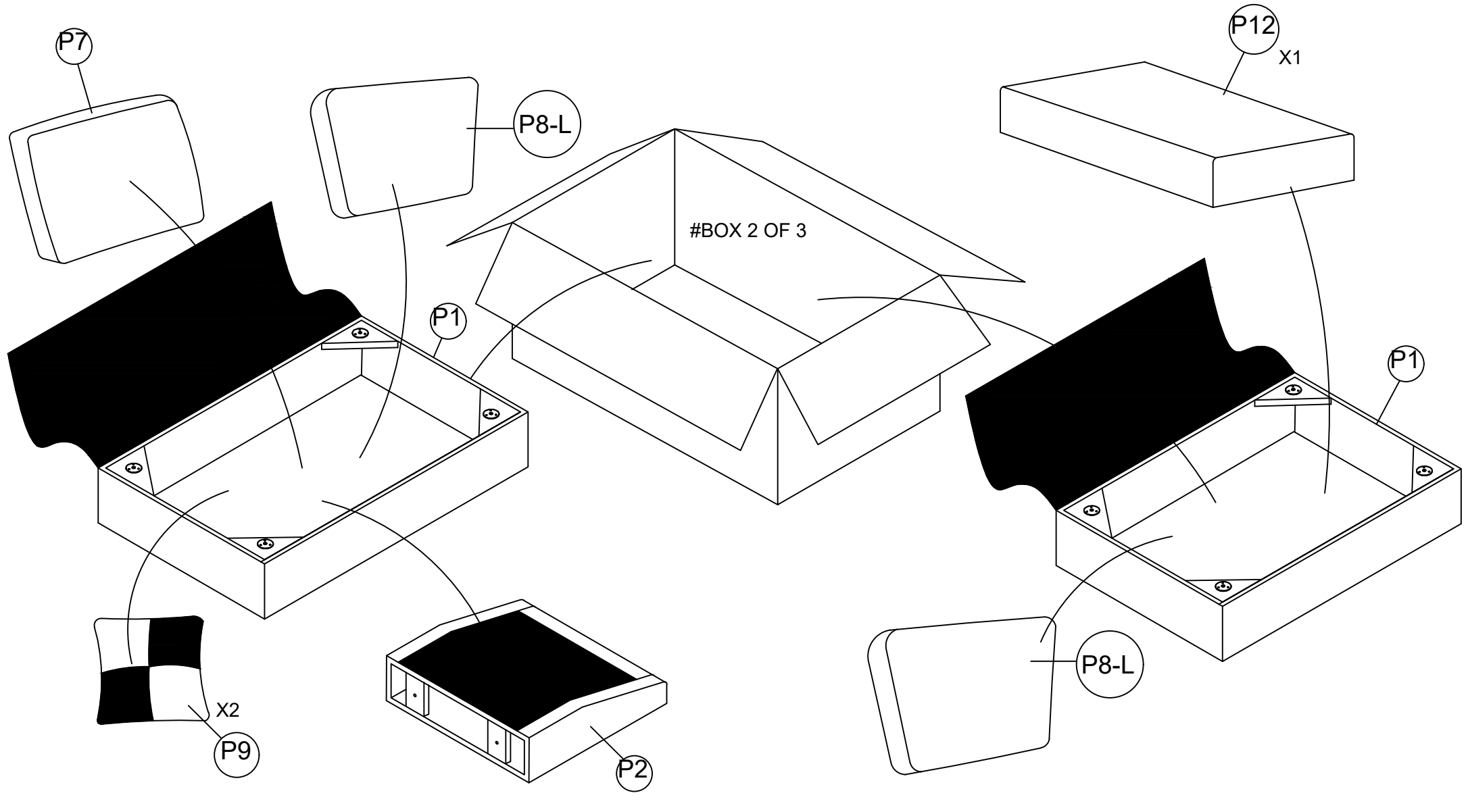
STEP 1.
Open the cover cloth located behind the Chaise Base (P1) and Base With Velcro Tape (P6) remove all part and hardware.



ASSEMBLY INSTRUCTION

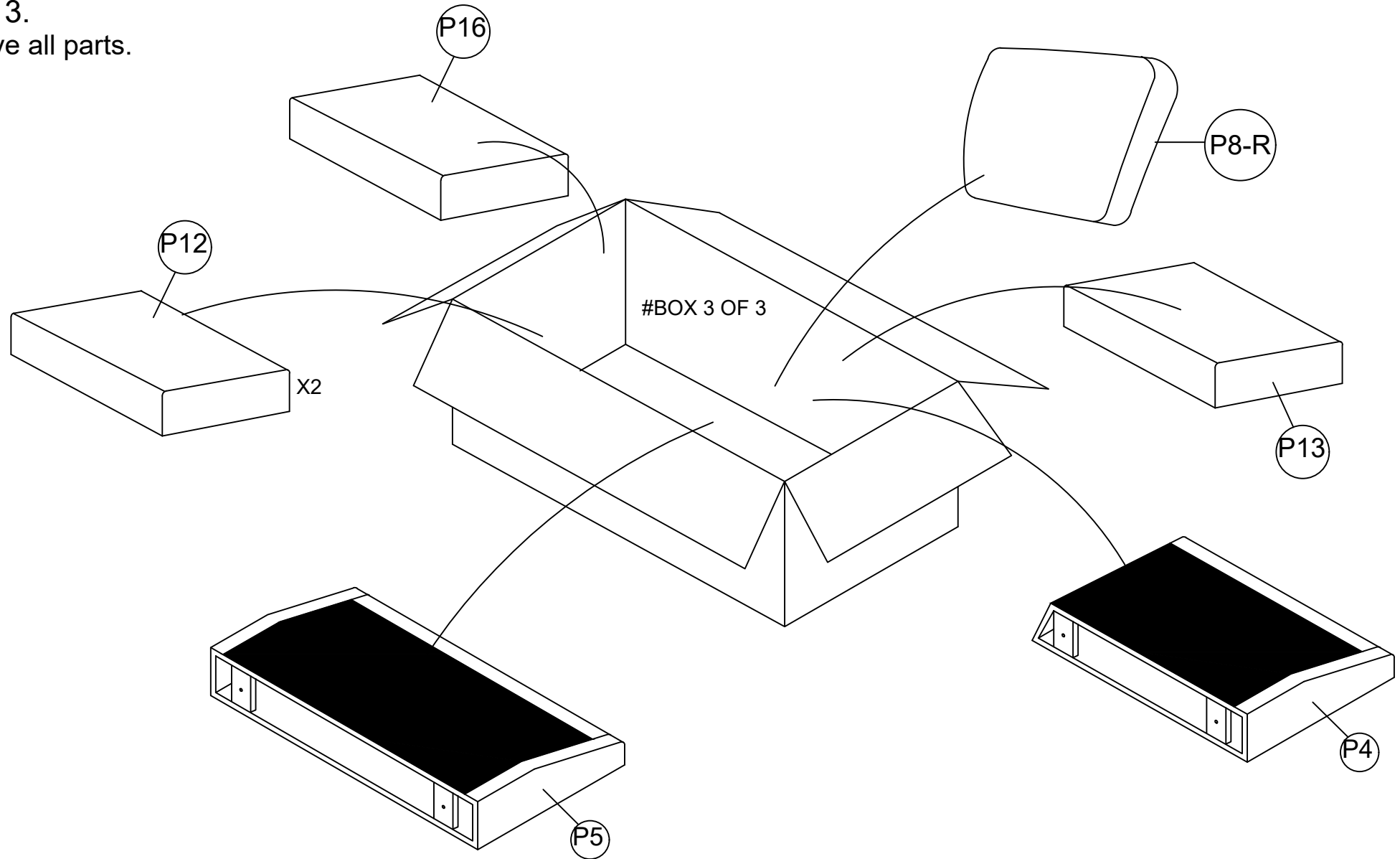
STEP 2.

Open the cover cloth located behind the Chaise Base (P1) (2pcs) and remove all part.



ASSEMBLY INSTRUCTION

STEP 3.
Remove all parts.

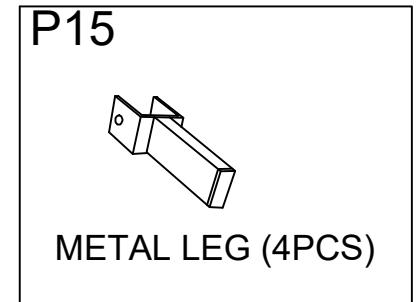
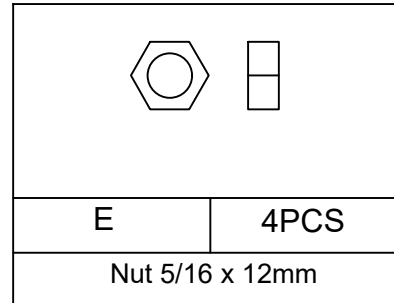
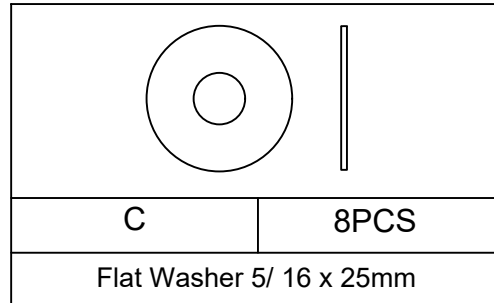
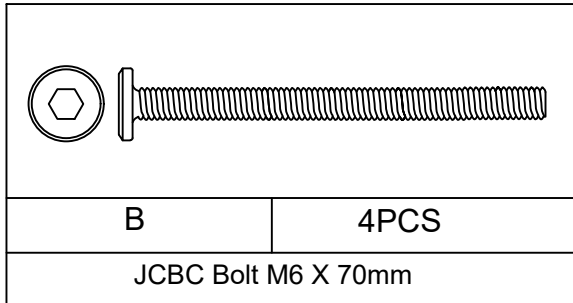
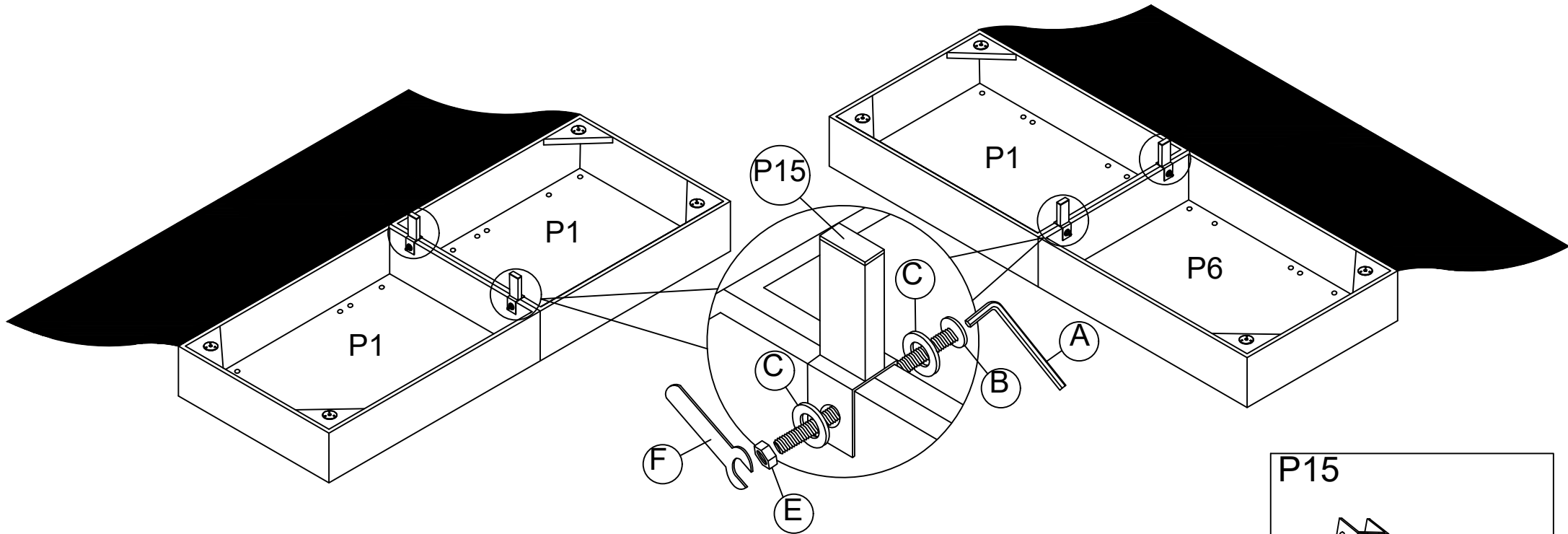


ASSEMBLY INSTRUCTION

STEP 4.

For this step lay the Chaise Base (P1) (3pcs) and Base With Velcro Tape (P6) (1pc).

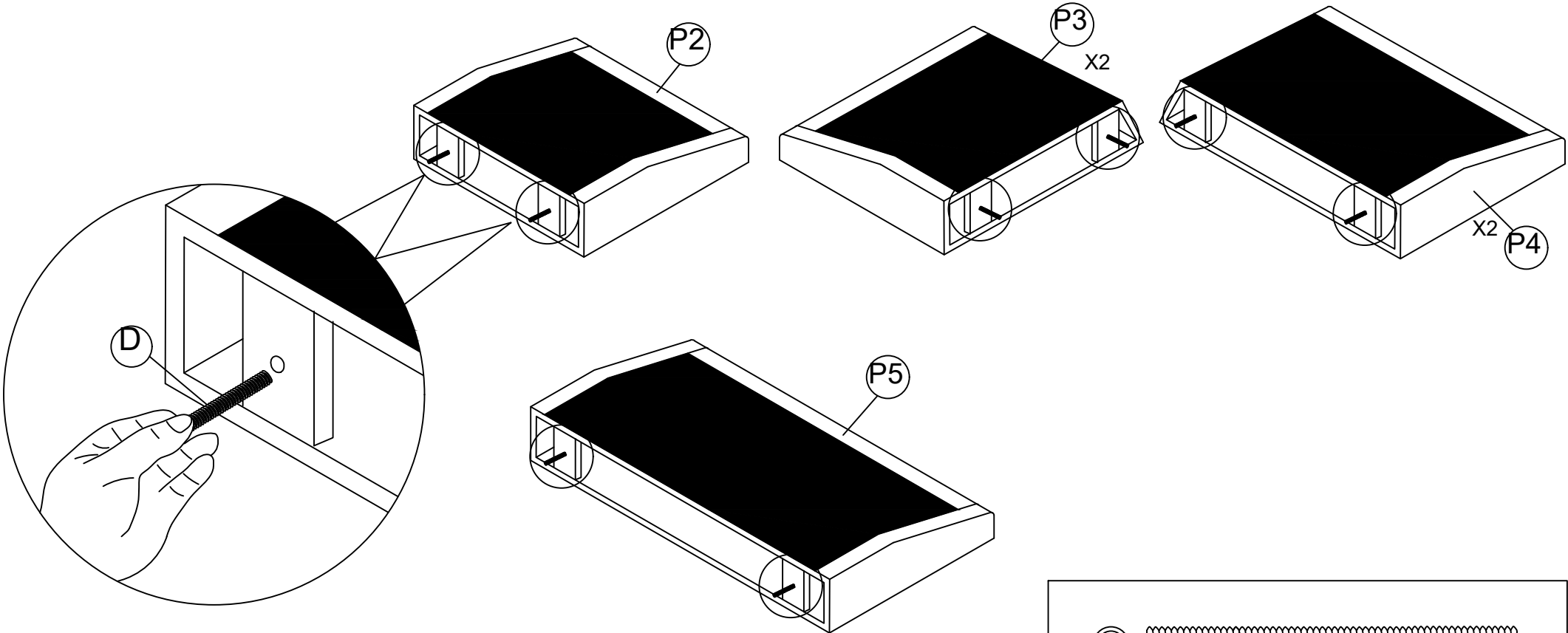
Attached the Metal Leg (P15) (4pcs). Legs are to be attached using JCBC Bolt M6 x 70mm (B) (4pcs), Flat Washer 5/16 x 25mm (C) (8pcs), Nut 5/16 x 25mm (E) (4pcs), Allen Key (A) and Spanner (F) to fix. Make sure the bolts are fully tightened and secure.


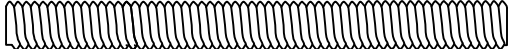


ASSEMBLY INSTRUCTION

STEP 5.

Attached the Threaded Rod 5 /16 x 75mm (D) (12pcs) to Back Rest (P2), (P3), (P4) and (P5).



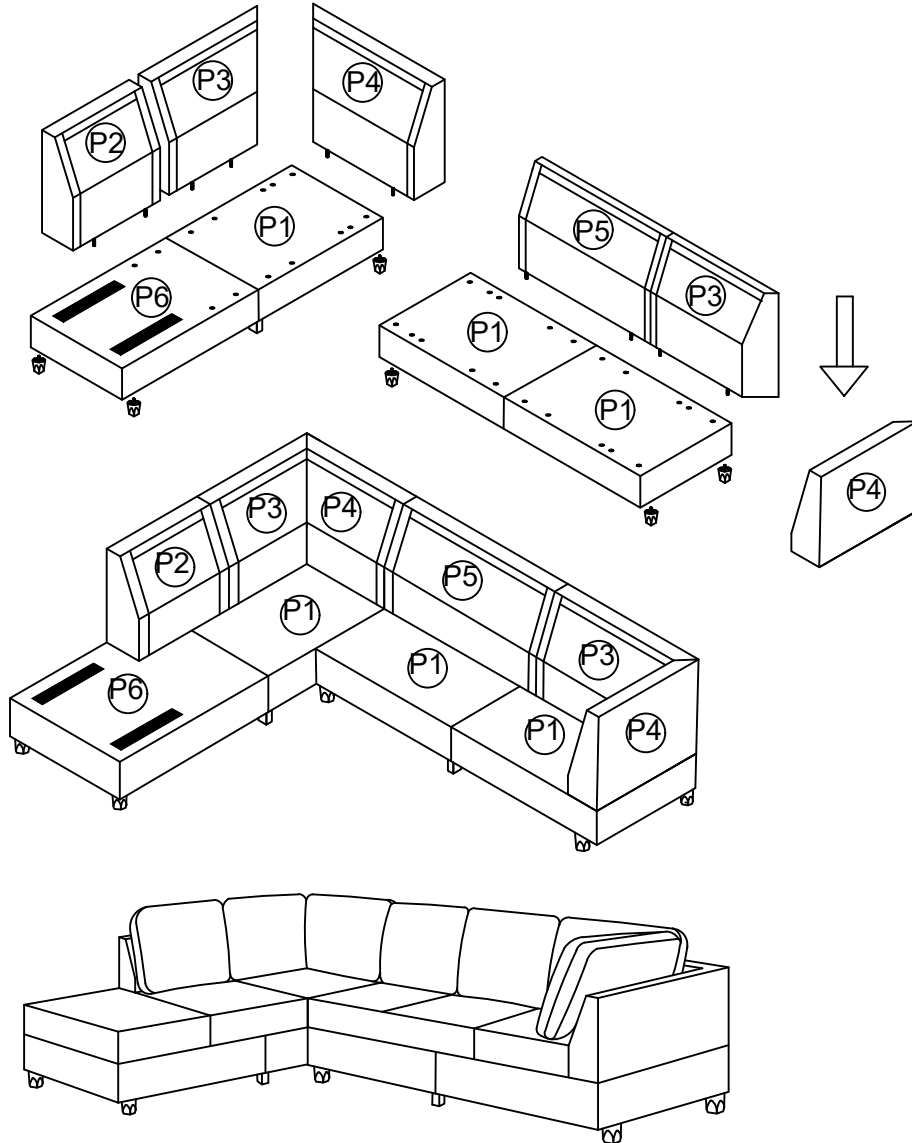
	
D	12PCS
Threaded Rod 5/16 x 75mm	

ASSEMBLY INSTRUCTION

STEP 6-10

SECTIONAL(Left Facing Chaise)

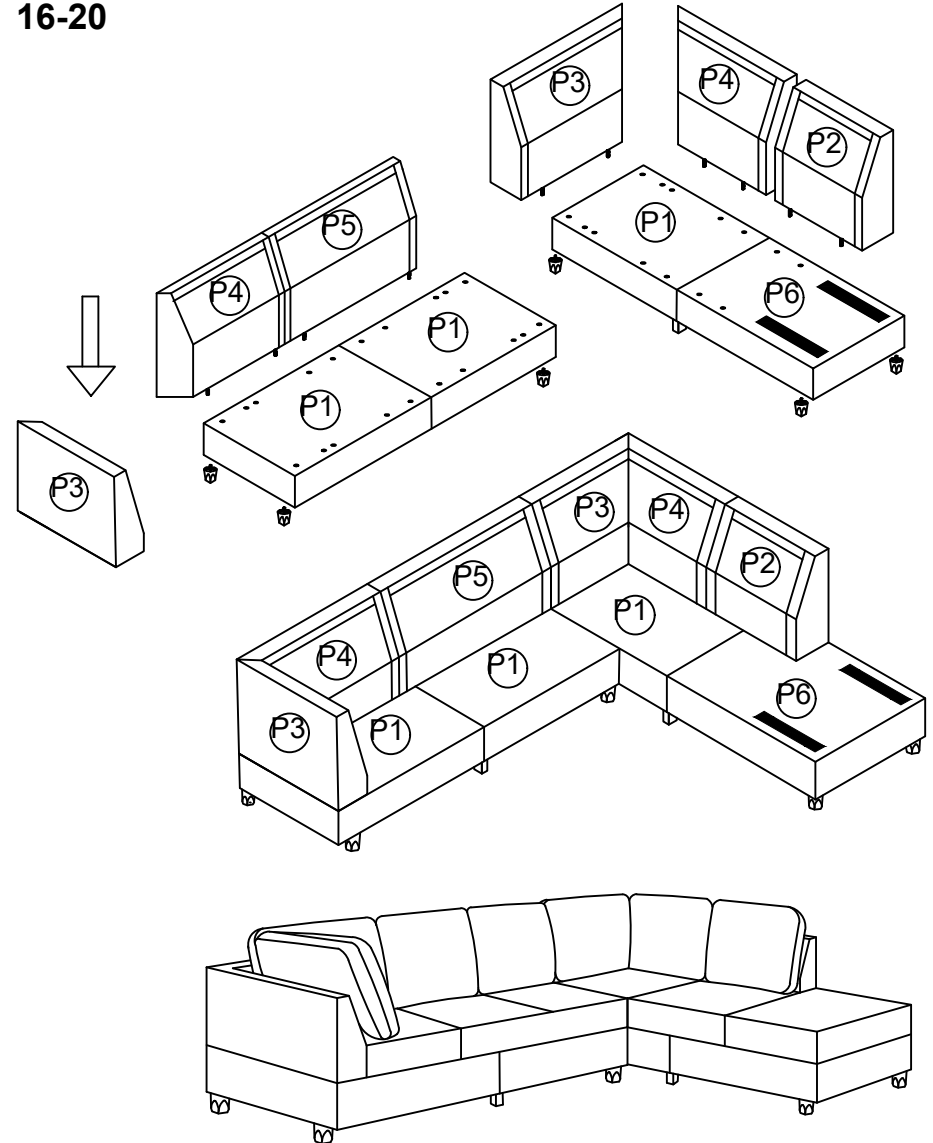
Assemble Step From
11-15



STEP 6-10

SECTIONAL(Right Facing Chaise)

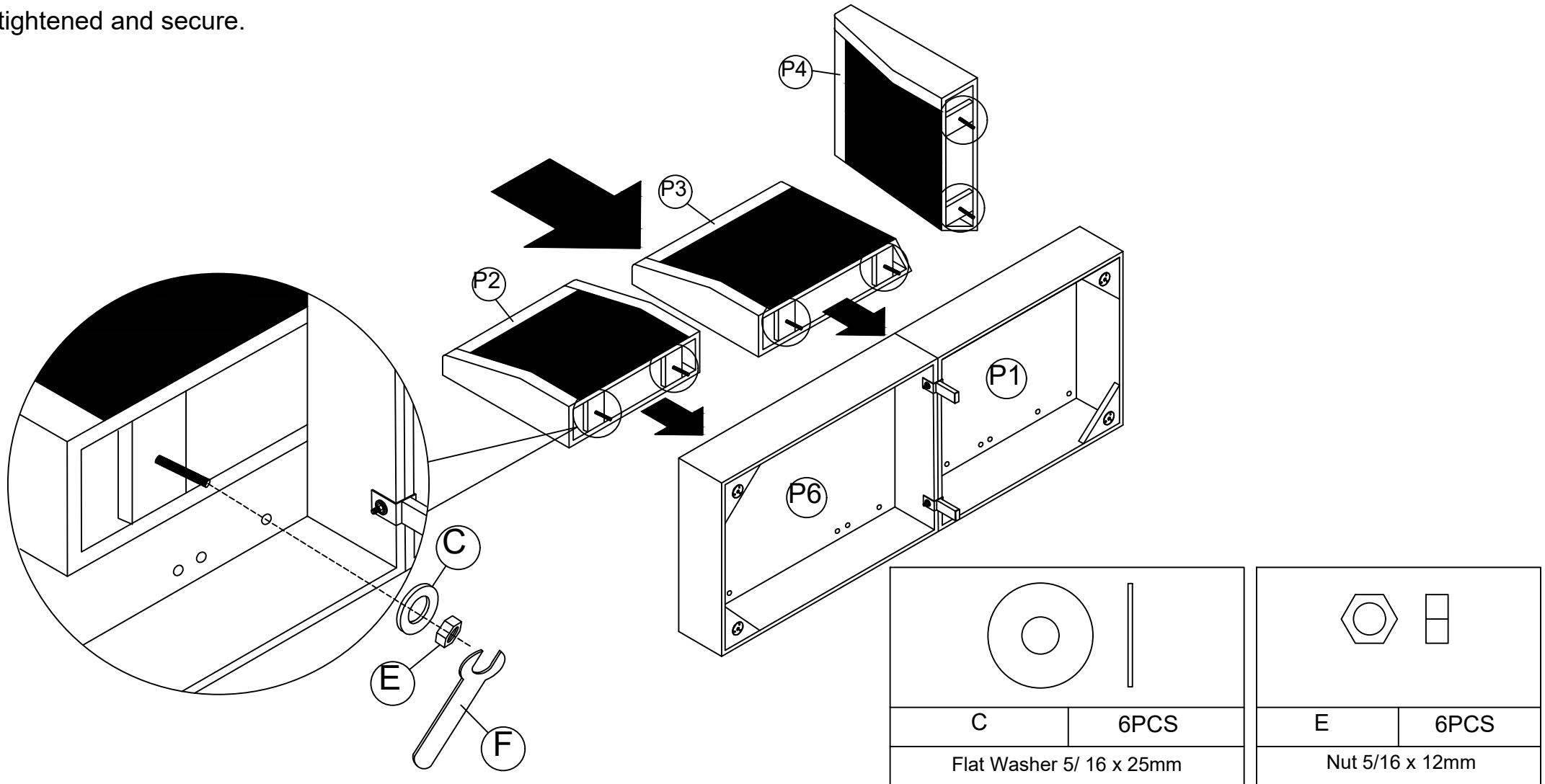
Assemble Step From
16-20



ASSEMBLY INSTRUCTION

STEP 6. SECTIONAL (Left Facing Chaise)

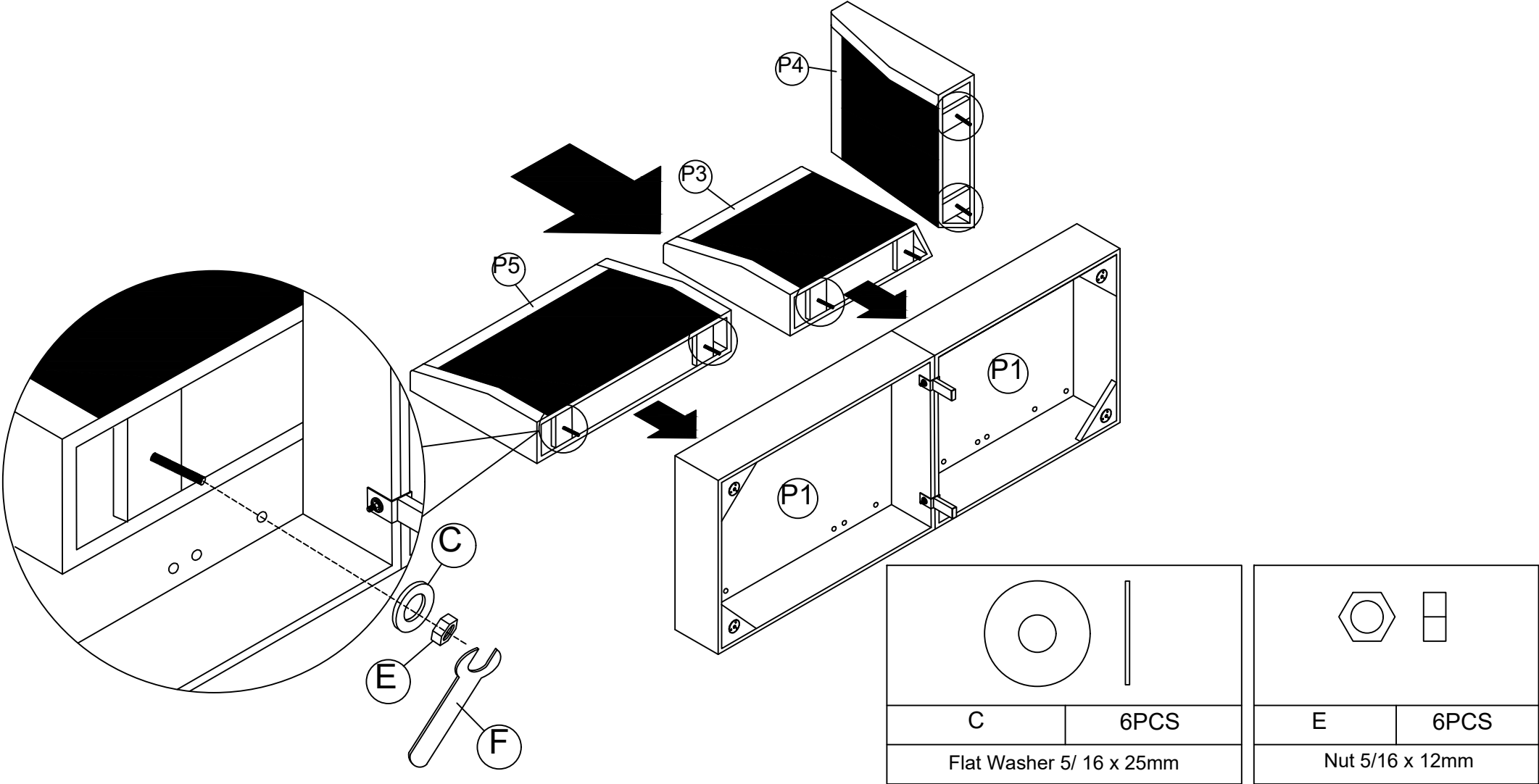
Attached the Back Rest (P2), Back Rest-Left (P3), Back Rest-Right (P4) to Chaise Base (P1) (1pc) and Base With Velcro Tape (P6) (1pc). Used Flat 5/16 x 25mm (C) (6pcs), Washer Nut 5/16 x 25mm (E) (6pcs) and Spanner (F) to fix. Make sure the bolts are fully tightened and secure.



ASSEMBLY INSTRUCTION

STEP 7.
SECTIONAL(Left Facing Chaise)

Attached the Back Rest (P5), Back Rest-Left (P3), Back Rest-Right (P4) to Chaise Base (P1) (2pcs).
 Used Flat Washer 5/16 x 25mm (C) (6pcs) and Spanner (F) to fix. Make sure the bolts are fully tightened and secure.

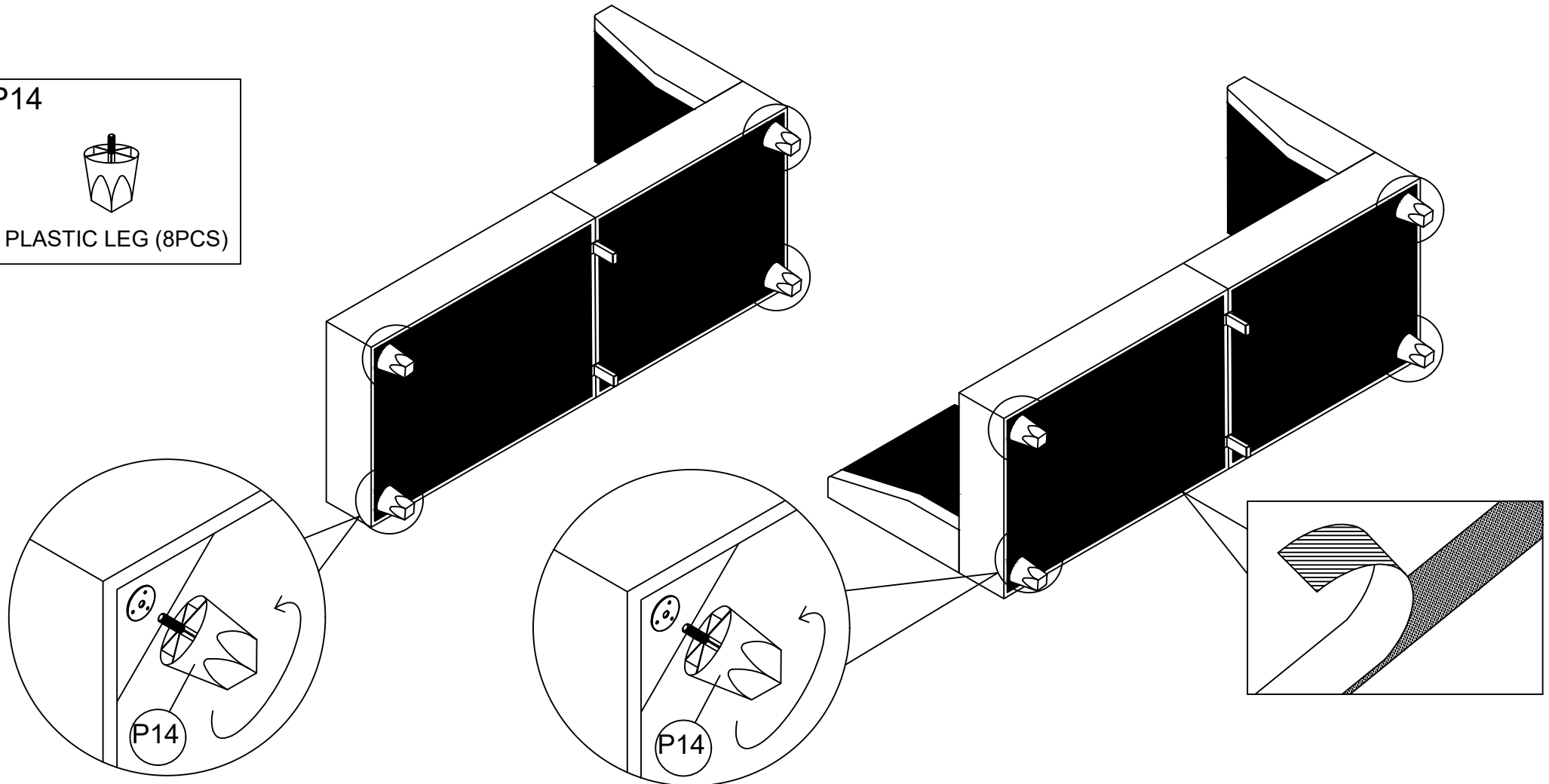


ASSEMBLY INSTRUCTION

STEP 8. SECTIONAL(Left Facing Chaise)

Closed cover cloth with velcro.

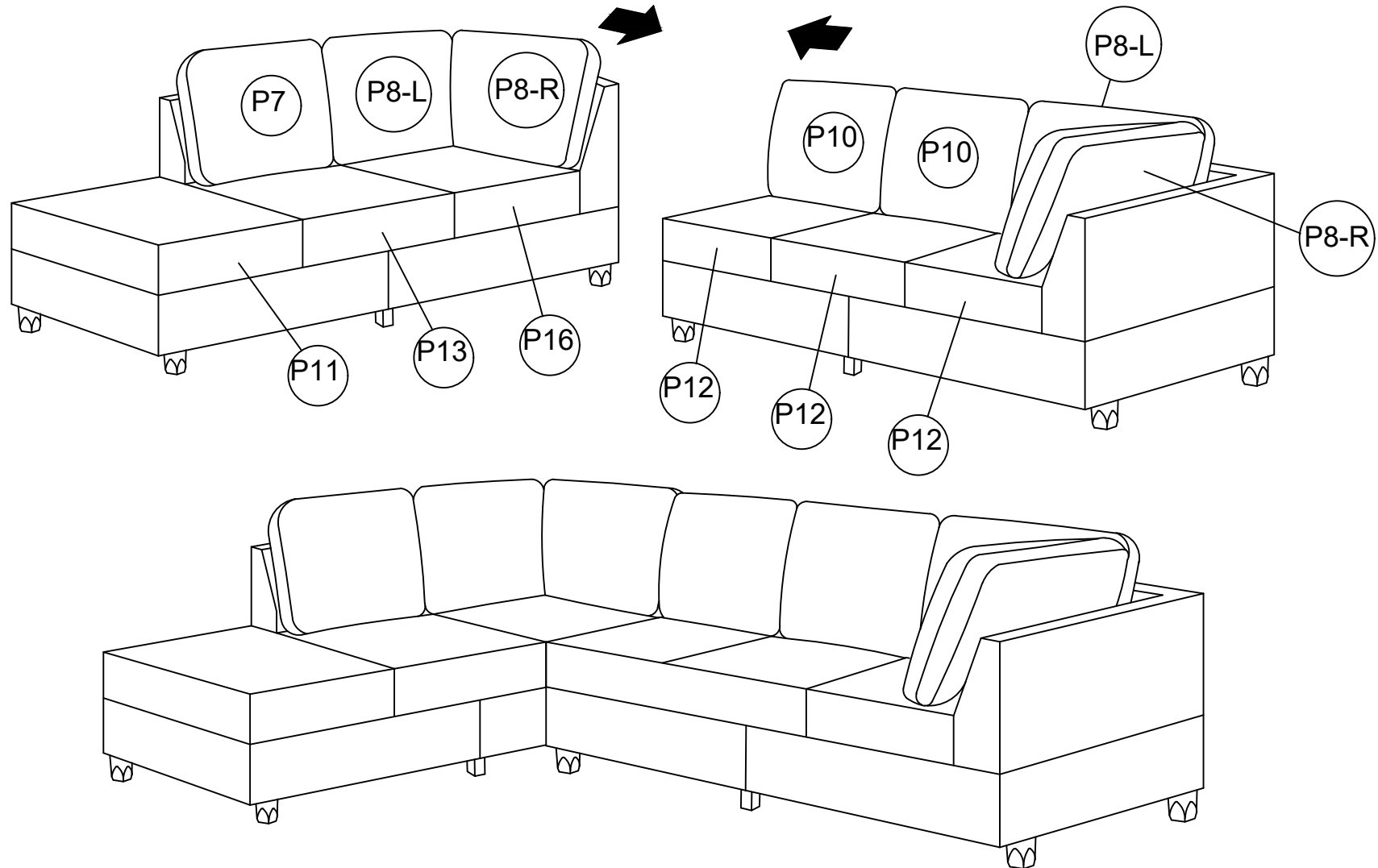
Attached Plastic Leg (P14) (8pcs) to Chaise Base (P1) (3pcs) and Base With Velcro (P6) (1pc). Legs should be tightened.



ASSEMBLY INSTRUCTION

STEP 9. SECTIONAL(Left Facing Chaise)

Attach the Chaise Cushion Seat - A (P11) (1pc), Medium Cushion Seat - B (P12) (3pcs), Medium Cushion Seat (P13) (1pc), Center Cushion Seat - D (P16) (1pc), Back Pillow - Small (P7) (1pc), Back Pillow - Chaise-Left and Right (P8) (4pcs) and Back Pillow - Center (P10) (2pcs).

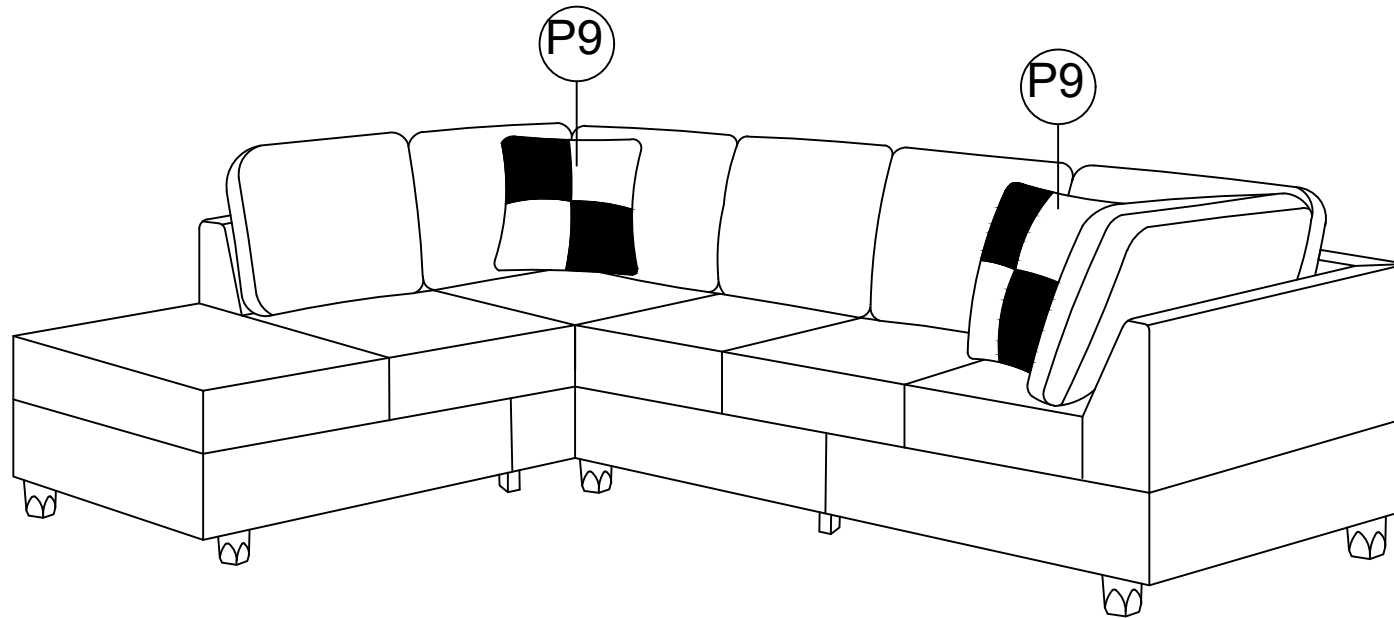


ASSEMBLY INSTRUCTION

STEP 10.

SECTIONAL(Left Facing Chaise)

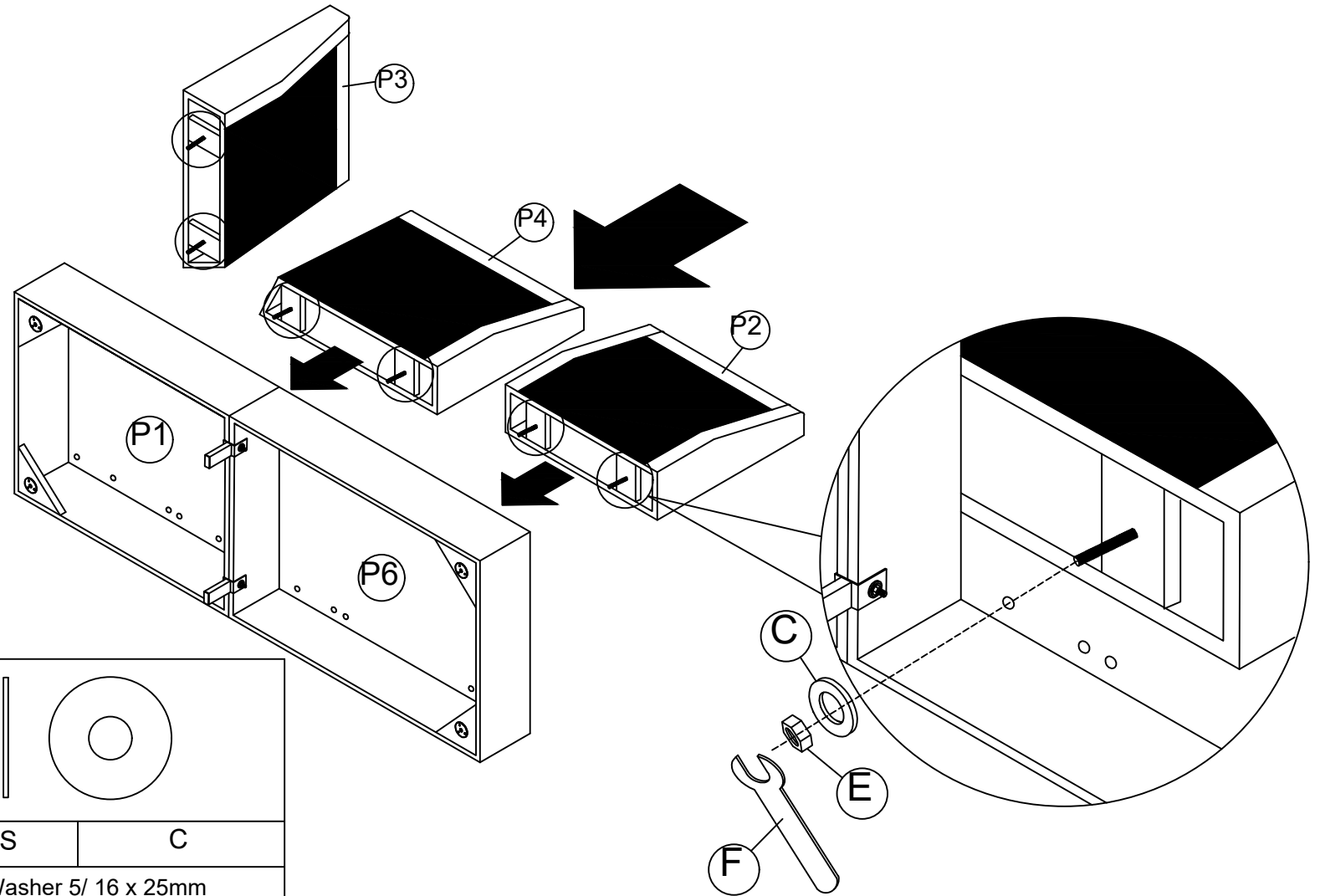
Attach the Pillow (P9) (2pcs).






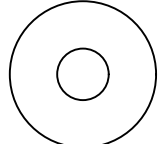
ASSEMBLY INSTRUCTION

STEP 6. SECTIONAL(Right Facing Chaise)

Attached the Back Rest (P2), Back Rest Left (P3), Back Rest Right (P4) to Chaise Base (P1) (1pc) and Base With Velcro Tape (P6) (1pc). Used Flat Washer 5/ 16 x 25mm (C) (6pcs), Nut 5/16 x 25mm (E) (6pcs) and Spanner (F) to fix. Make sure the bolts are fully tightened and secure.



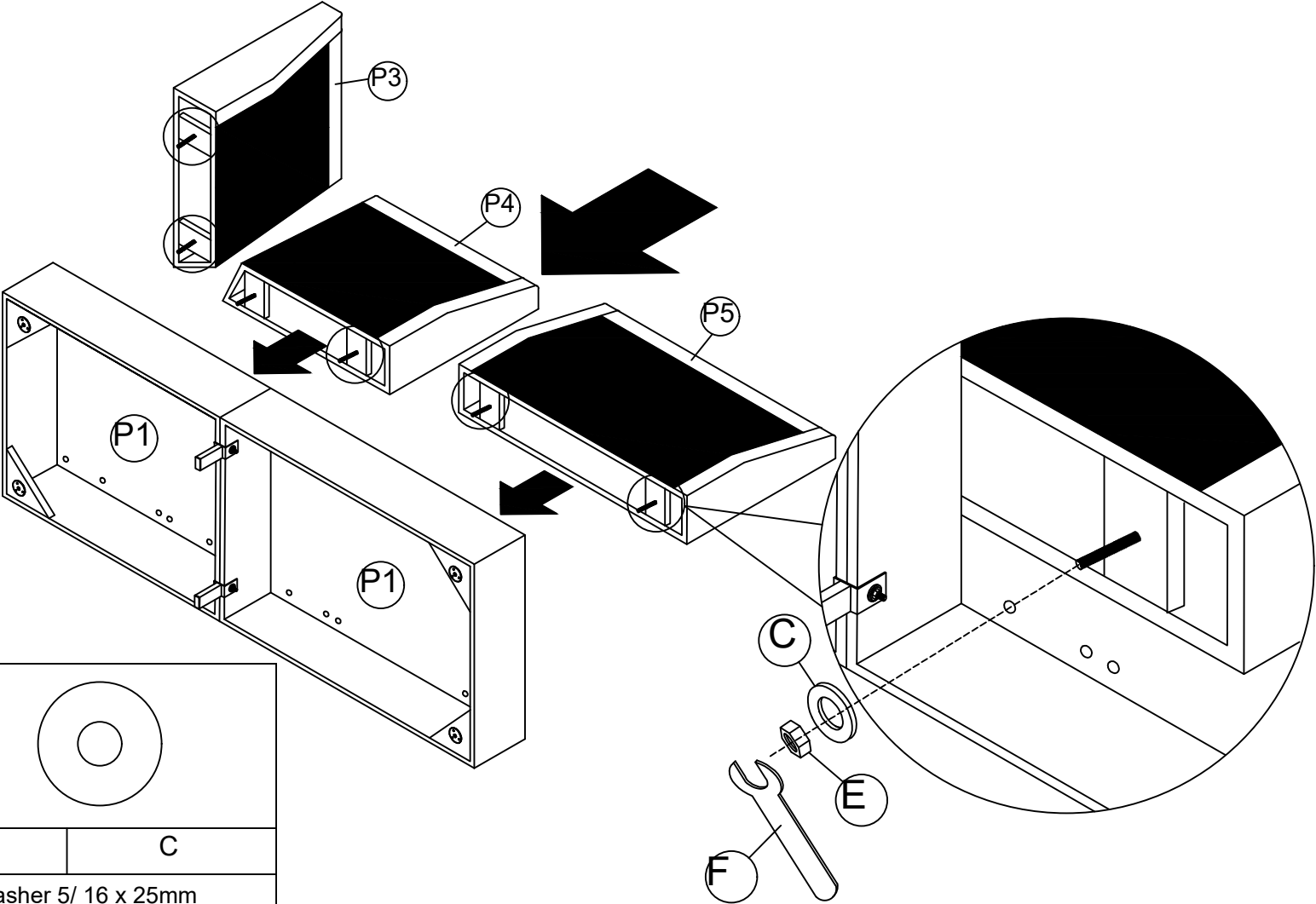
	
6PCS	E
Nut 5/16 x 12mm	

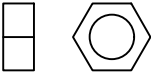
	
6PCS	C
Flat Washer 5/ 16 x 25mm	

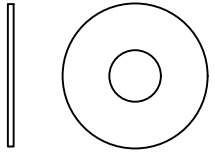
ASSEMBLY INSTRUCTION

STEP 7.
SECTIONAL(Right Facing Chaise)

Attached the Back Rest (P5), Back Rest Right (P4), Back Rest Left (P3) to Chaise Base (P1) (2pcs). Used Flat Washer 5/16 x 25mm (C) (6pcs), Nut 5/16 x 25mm (E) (6pcs) and Spanner (F) to fix. Make sure the bolts are fully tightened and secure.



	E
6PCS	E
Nut 5/16 x 12mm	

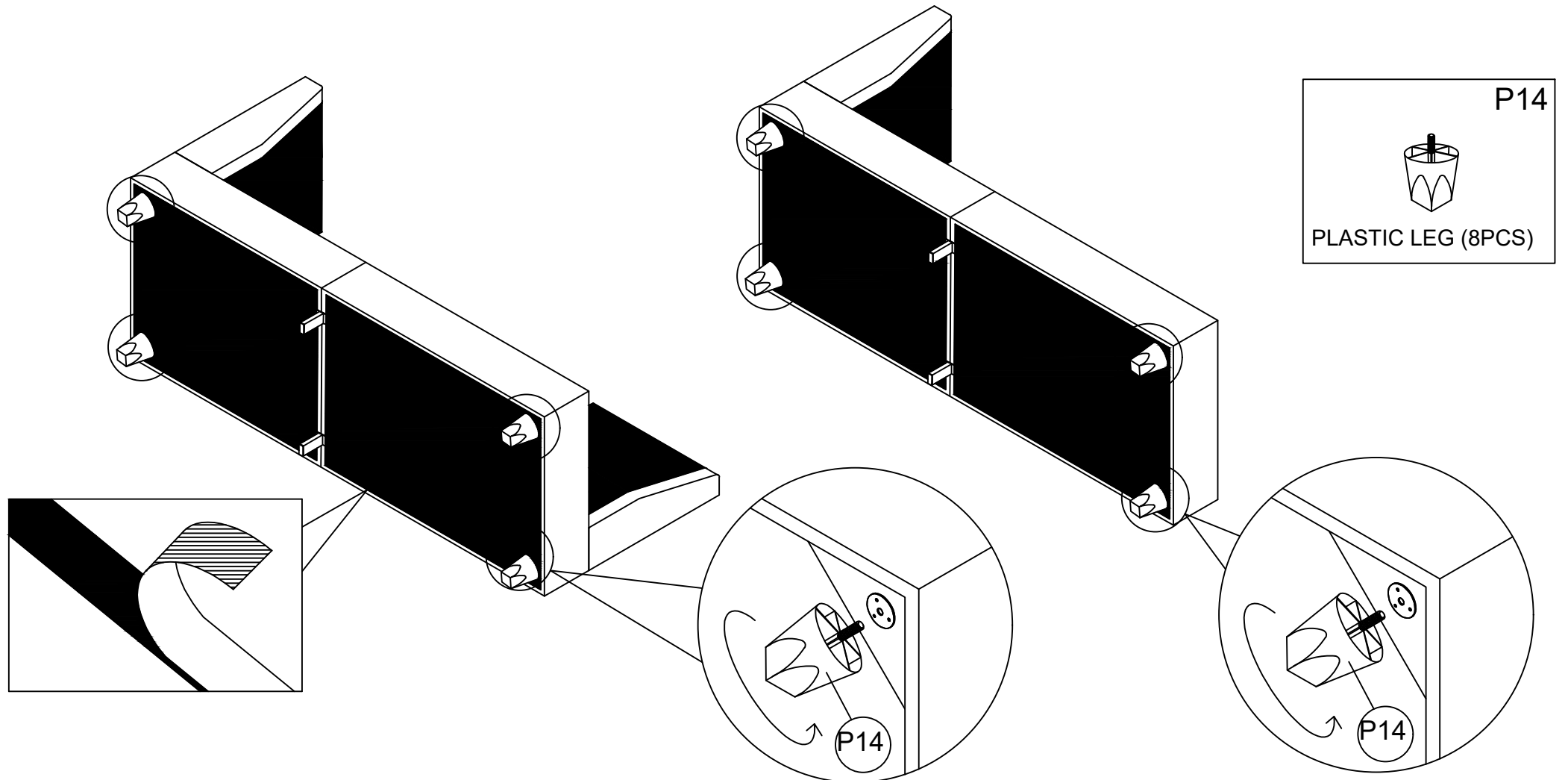
	C
6PCS	C
Flat Washer 5/ 16 x 25mm	

ASSEMBLY INSTRUCTION

STEP 8. SECTIONAL (Left Facing Chaise)

Closed cover cloth with velcro.

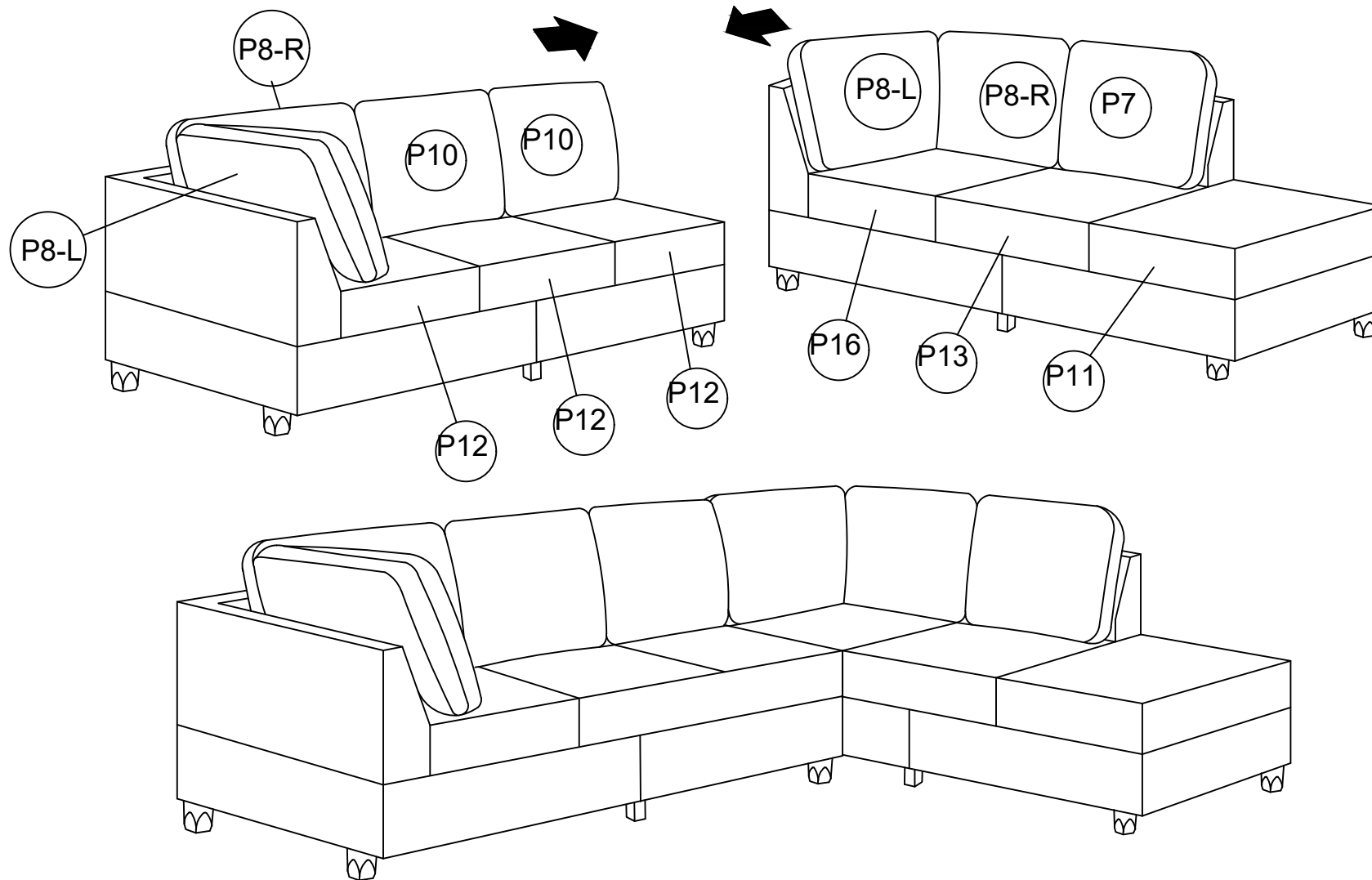
Attached Plastic Leg (P14) (8pcs) to Chaise Base (P1) (3pcs) and Base With Velcro Tape (P6) (1pc). Legs should be tightened.



ASSEMBLY INSTRUCTION

STEP 9. SECTIONAL(Right Facing Chaise)

Attach the Medium Cushion Seat (P12) (3pcs), Medium Cushion Seat C (P13) (1pc), Center Cushion Seat D (P16) (1pc), Chaise Back Back Pillow (P11) (1pc), Back Pillow Chaise-Left/Right (P8) (4pcs), Back Pillow Center (P10) (2pcs) and Back Pillow Small (P7) (1pc.)



ASSEMBLY INSTRUCTION

STEP 10.

SECTIONAL(Right Facing Chaise)

Attach the Pillow (P9) (2pcs).

