
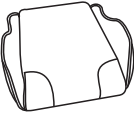


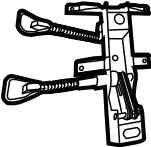





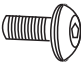






ASSEMBLING INSTRUCTING

Ax1 	Bx1 	Cx1R 	Dx1L 	Ex1 	Fx1 	Gx5 	Hx1 
Ix1 	Jx1 	Kx3  M8*20	Lx4  M6*30	Mx8  M6*20	Nx1 	Ox1 	Px1 