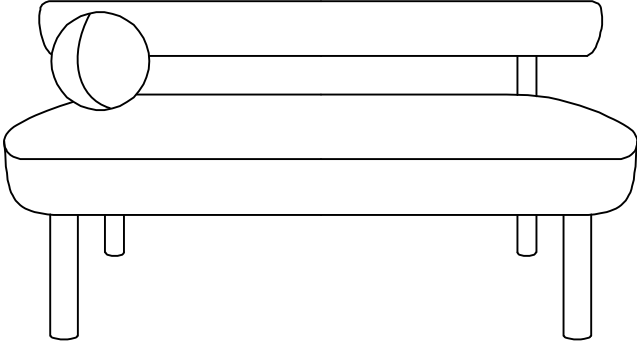


ASSEMBLY INSTRUCTIONS



+ Do Not Use PowerTools



+ Suggested Adults



NOTE:

- 1 Read instructions cover to cover.
- 2 Save all packaging until assembly is completed.

1 IMPORTANT SAFETY INFORMATION

Do not assemble the product if any of the following parts arrived damaged:

- Part ① Back cushion
- Part ② Seat cushion
- Part ③ Front leg
- Part ④ Left back leg
- Part ⑤ Right back leg
- Part ⑥ Ball

Do not assemble if any of the following Hardware parts are missing:

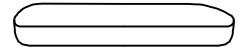
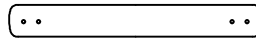
- Part A Bolt 5/16"*1"
- Part B Bolt 5/16"*3"
- Part C Spring washer 5/16"
- Part D Flat washer 5/16"*25MM
- Part E Flat washer 5/16"*19MM
- Part F Allen wrench 5/16"
- Part G T iron

2 IMPORTANT ASSEMBLY INFORMATION

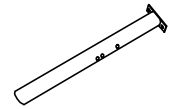
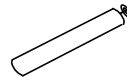
Assembly Step If loosening persists, Please make sure to tighten all the bolts periodically, or use a thread locker adhesive.

+ Parts Included

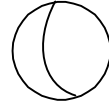
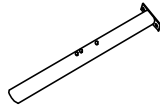
- ① Back cushion 1PC
- ② Seat cushion 1PC



- ③ Front leg 2PCS
- ④ Left back leg 1PC



- ⑤ Right back leg 1PC
- ⑥ Ball



+ Hardware Included

- A Bolt 5/16"*1-1/4" 14PCS
- B Bolt 5/16"*3" 2PCS



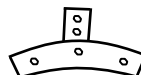
- C Spring washer 5/16" 16PCS
- D Flat washer 5/16"*25MM 2PCS



- E Flat washer 5/16"*19MM 14PCS
- F Allen wrench 5/16" 1PC



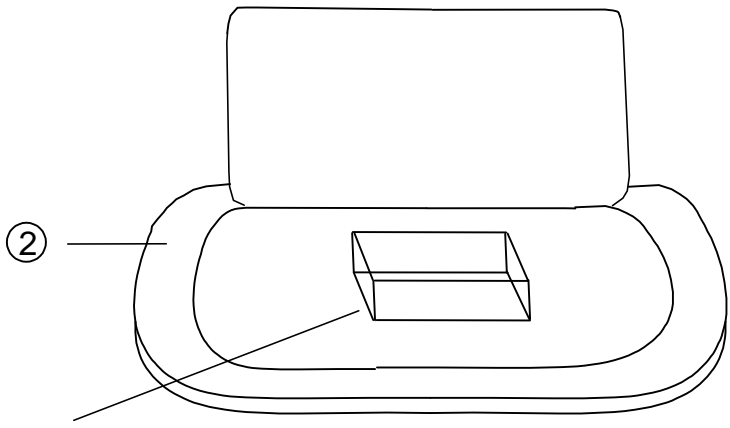
- G T iron 2PCS



ASSEMBLY INSTRUCTIONS

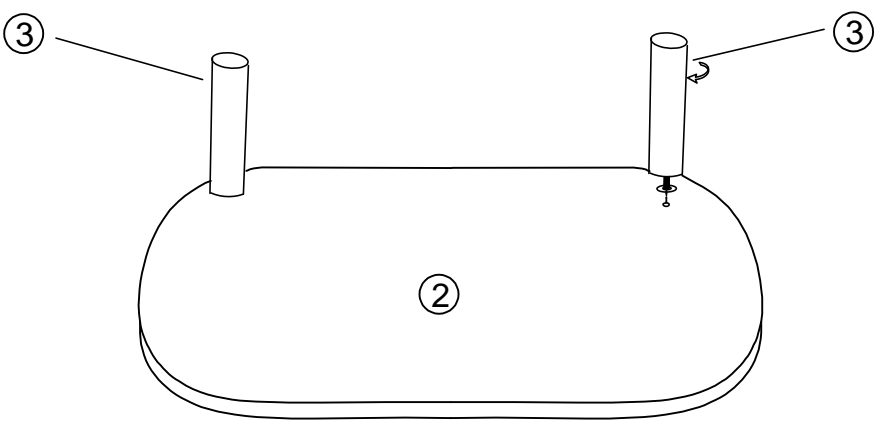
1

Unzip bottom cover to assemble the seat !

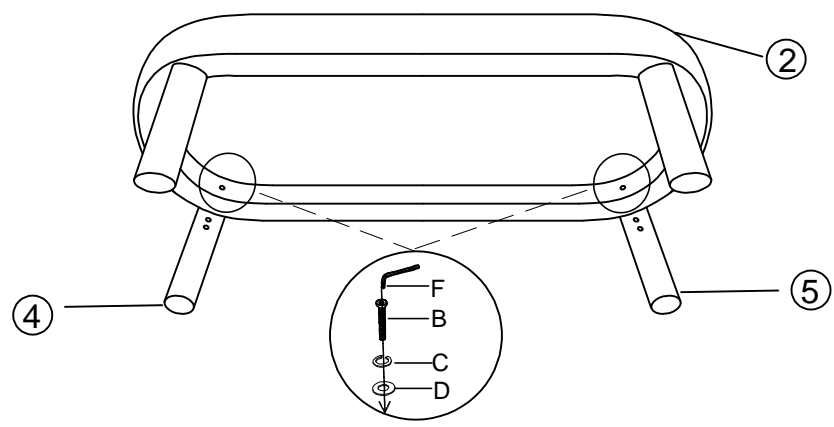


The legs are underneath the dust cover

2

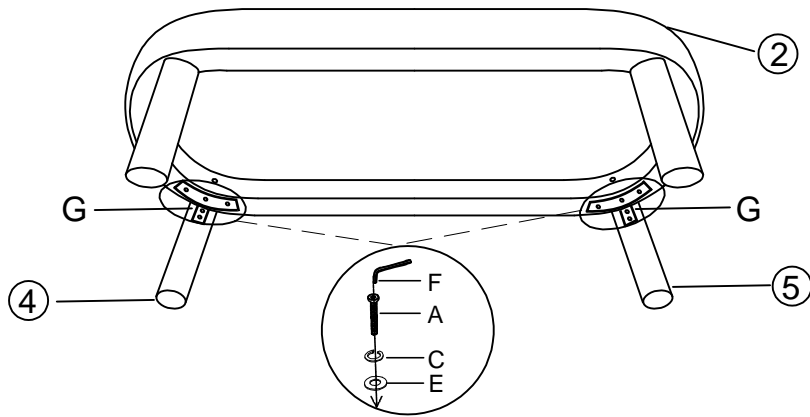


3

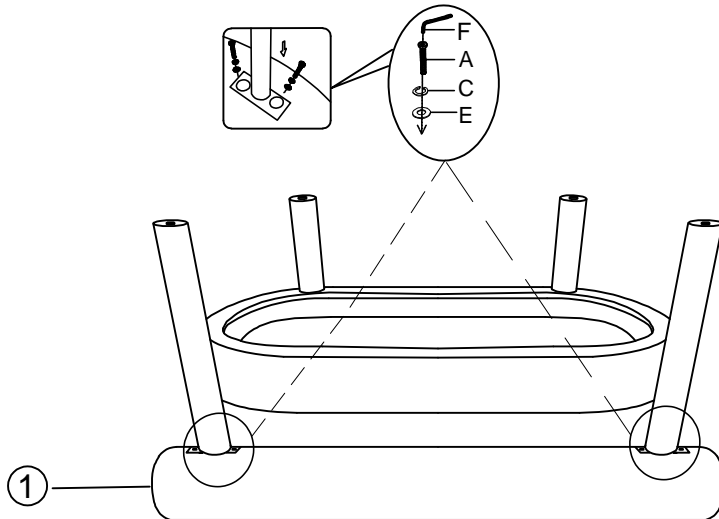


ASSEMBLY INSTRUCTIONS

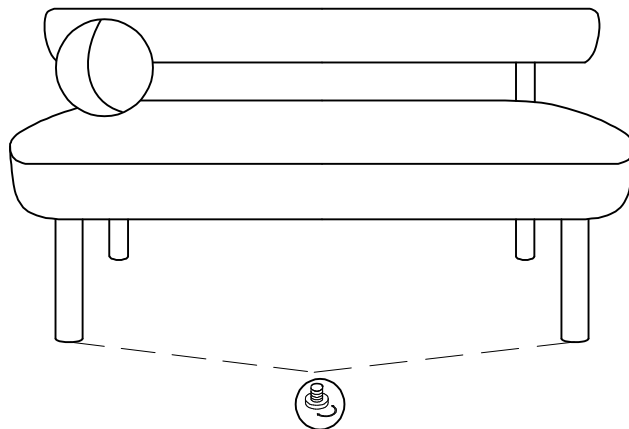
4



5



6



Adjust pre-installed levelers height to achieve balance.