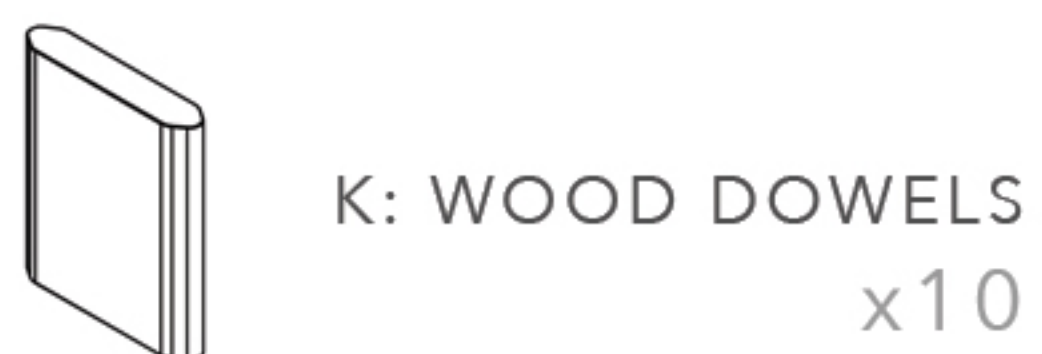
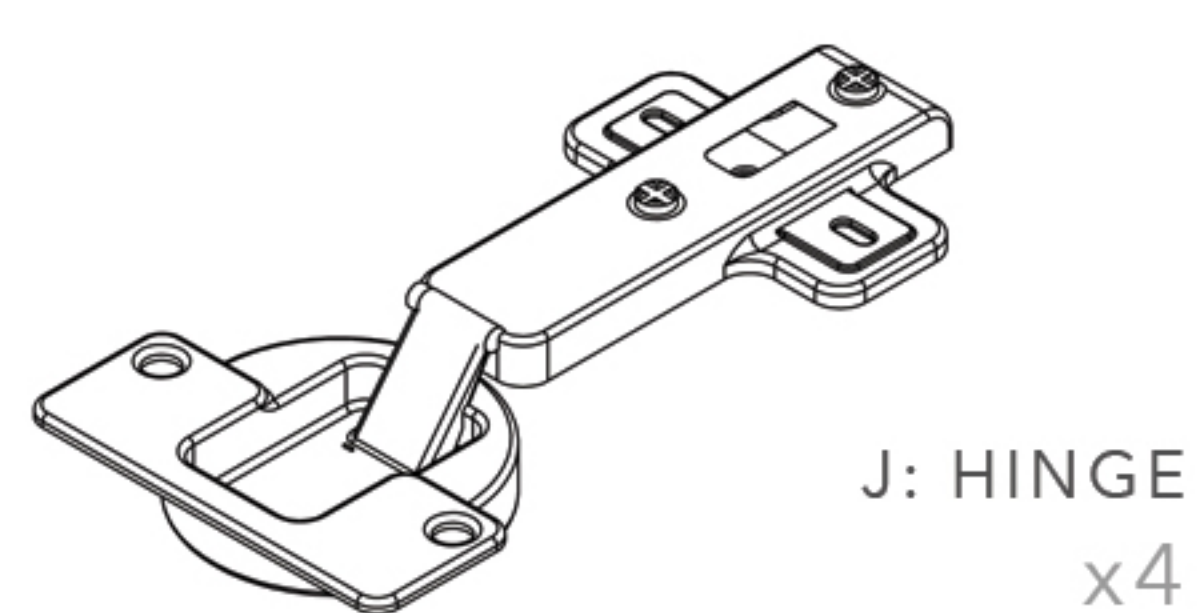
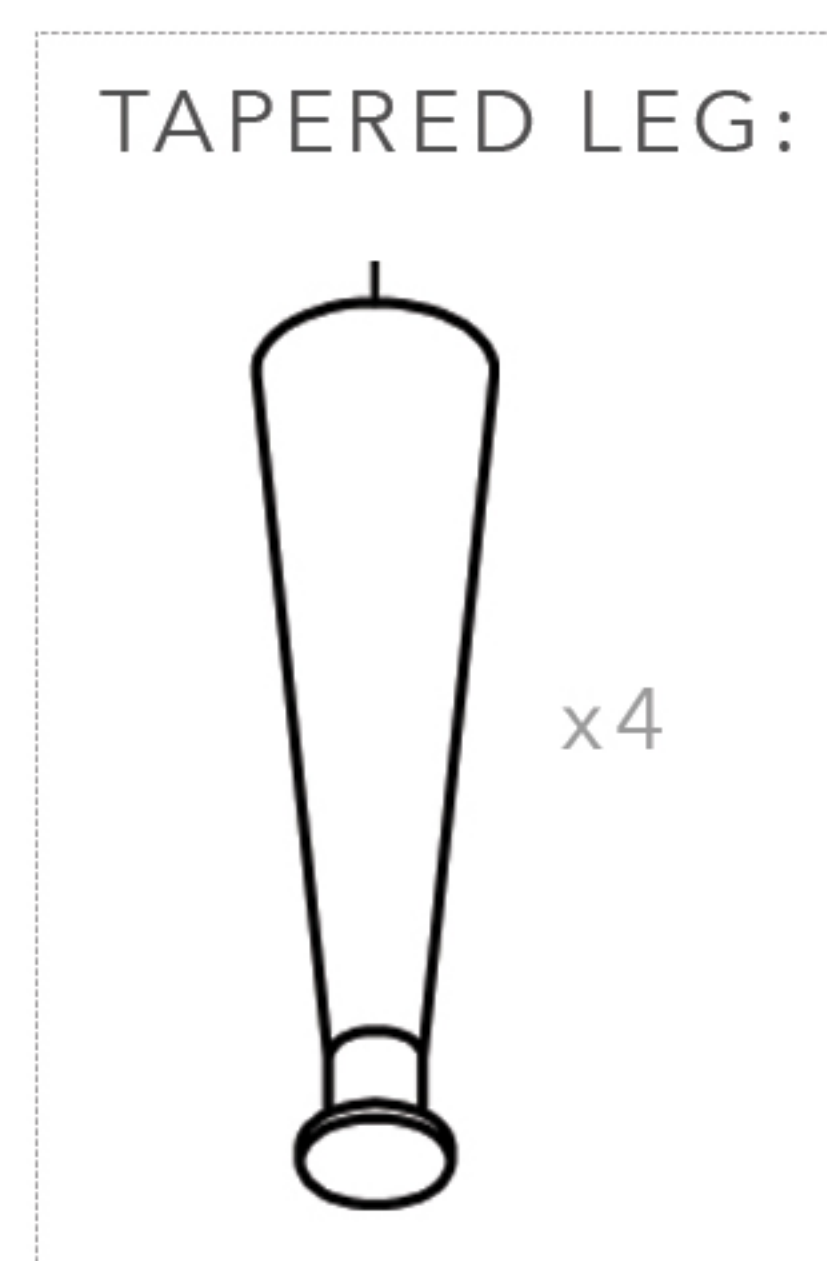
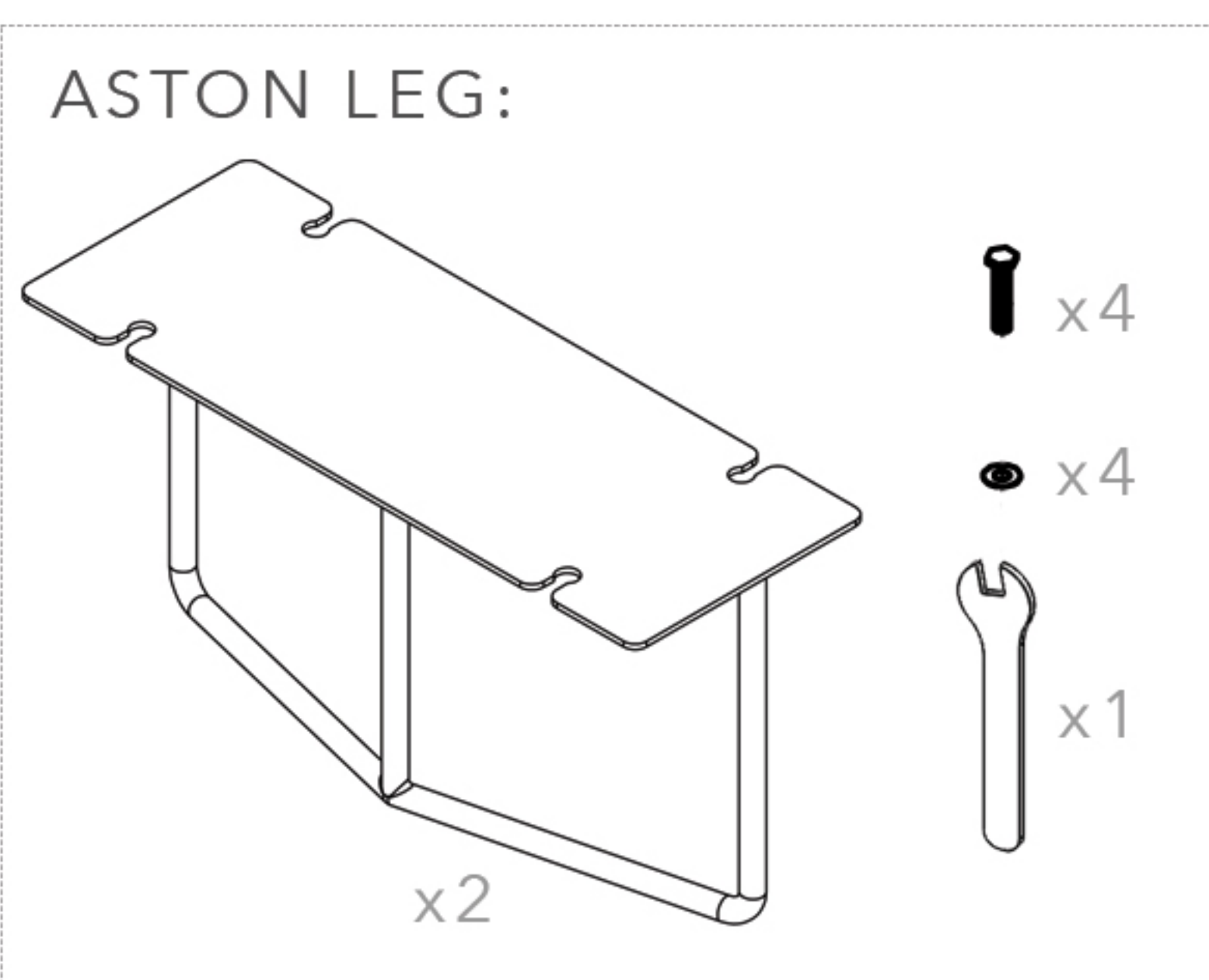
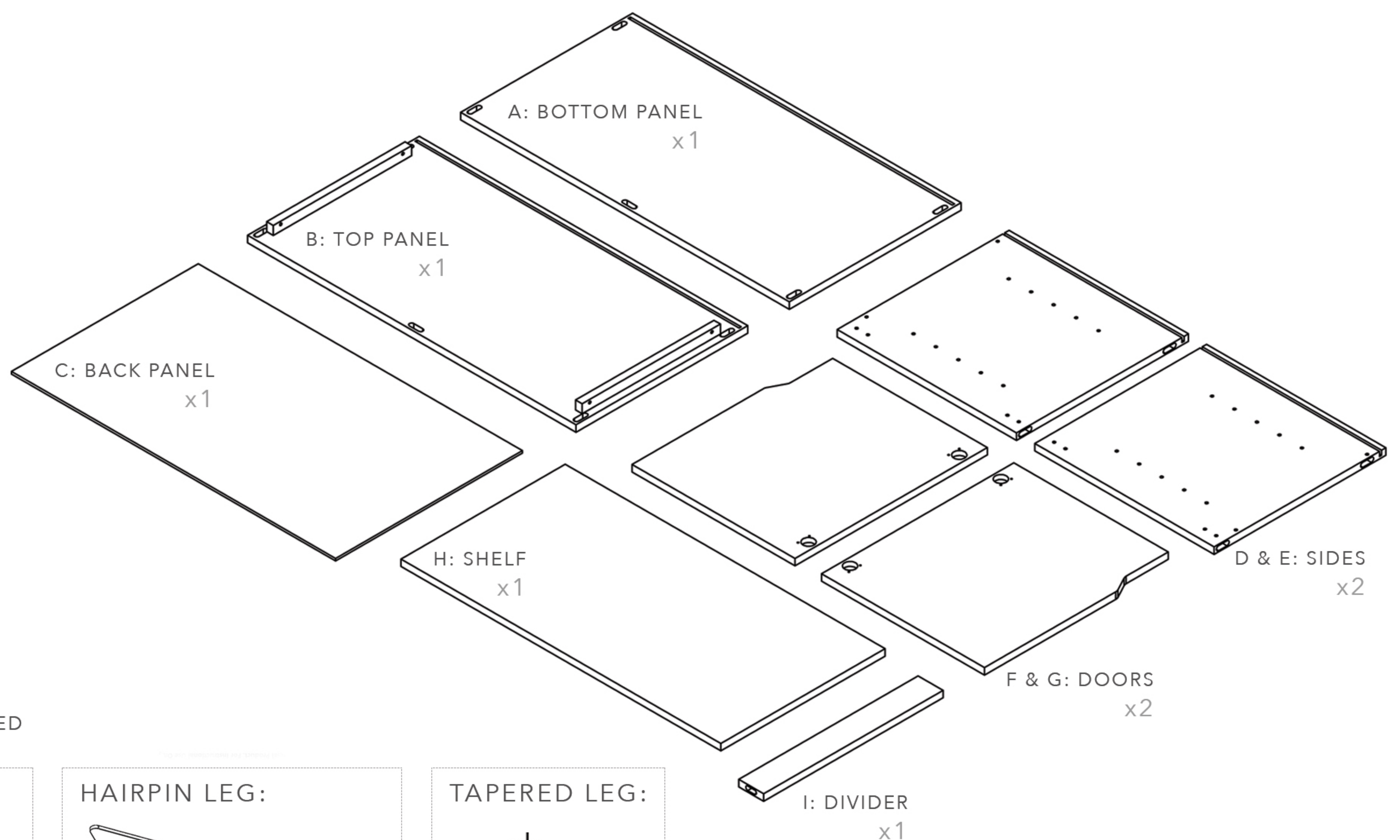


WHAT'S INCLUDED:



*NOTE: EXTRAS MAY BE INCLUDED



YOU WILL NEED:



? 1-800-973-6091
MON-FRI 9:30AM-4:30PM MST
SUPPORT@DENYDESIGNS.COM

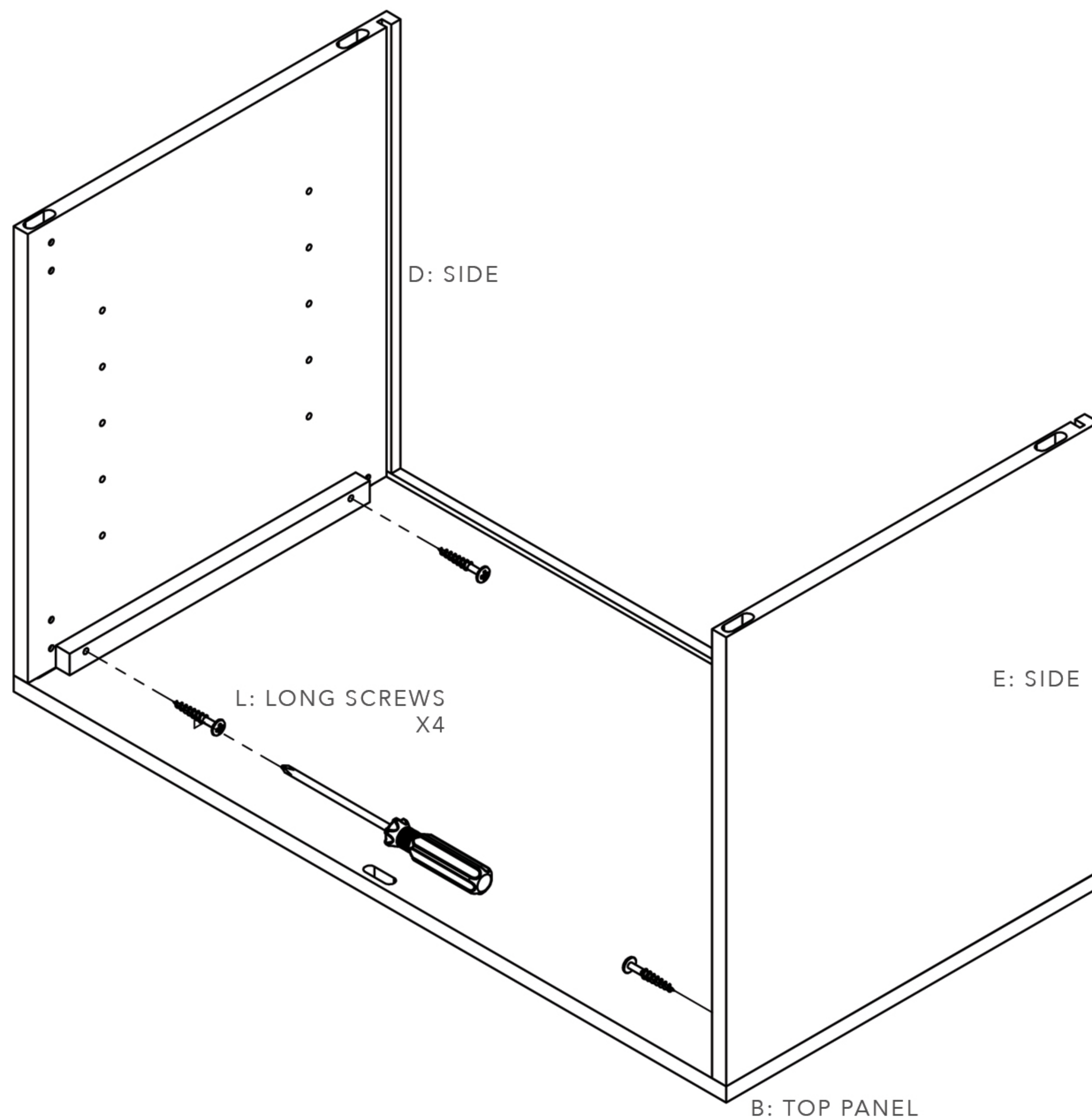
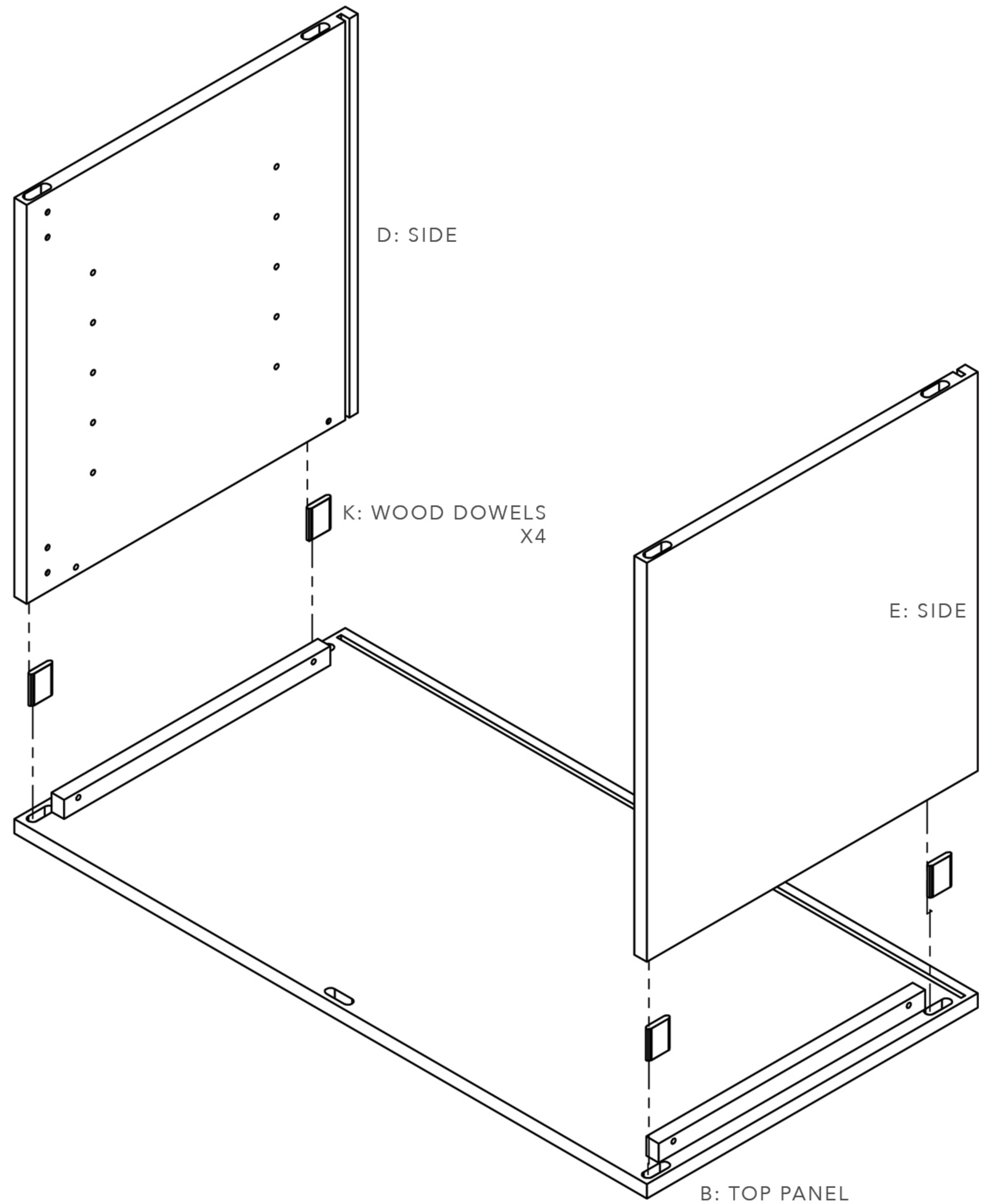
PRO TIP: TO PROTECT THE WOOD, ASSEMBLE ON TOP OF THE CARDBOARD SHEETS INCLUDED IN YOUR PACKAGING.

1

LAY THE TOP PANEL (PART B) ON THE PROTECTIVE CARDBOARD.

INSERT 4 WOOD DOWELS (PART K) INTO EACH CORNER OF PART B.

SECURE EACH SIDE PANEL (PART D & E) ON TOP OF THE WOOD DOWELS. DO NOT USE A HAMMER.



2

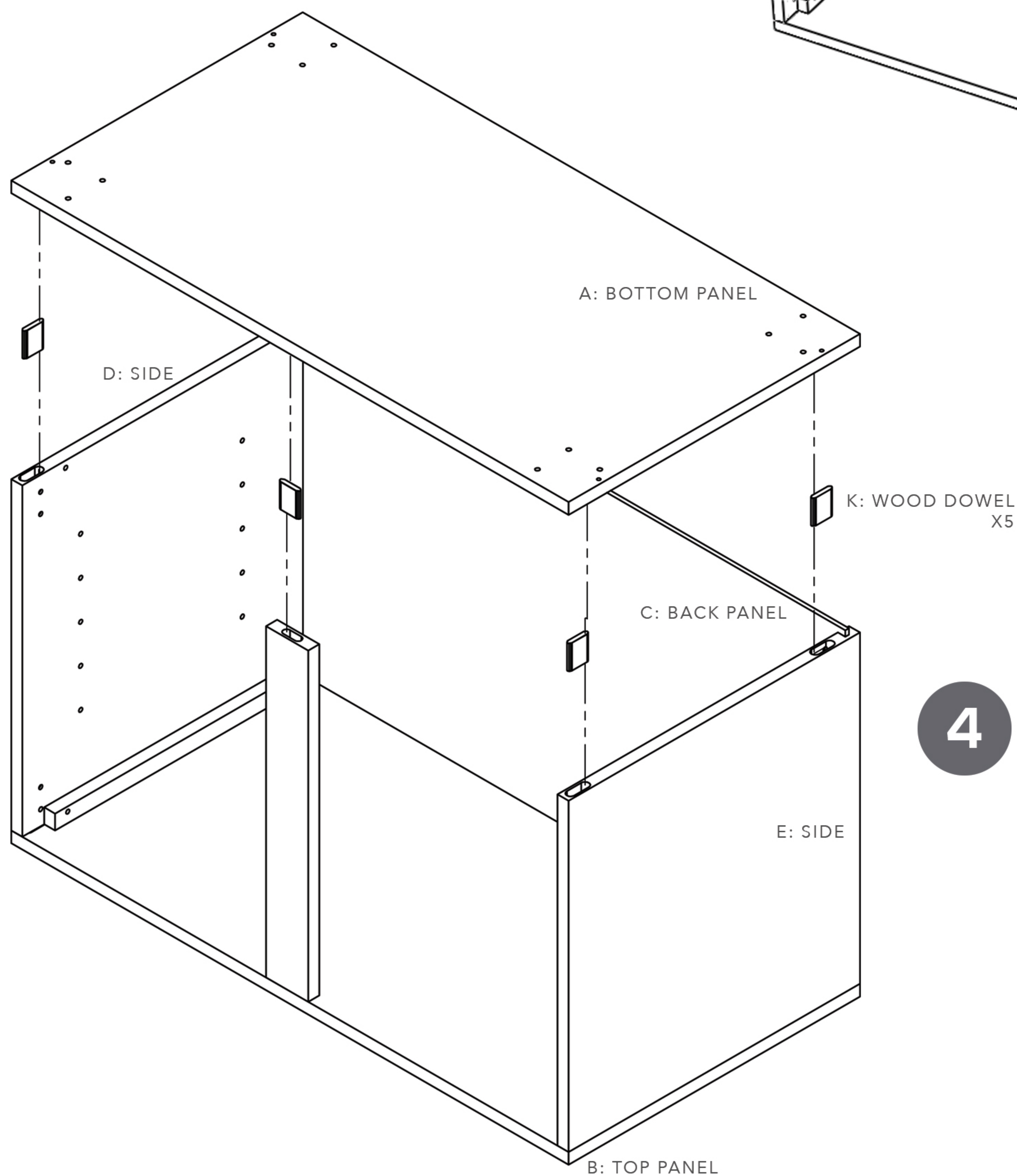
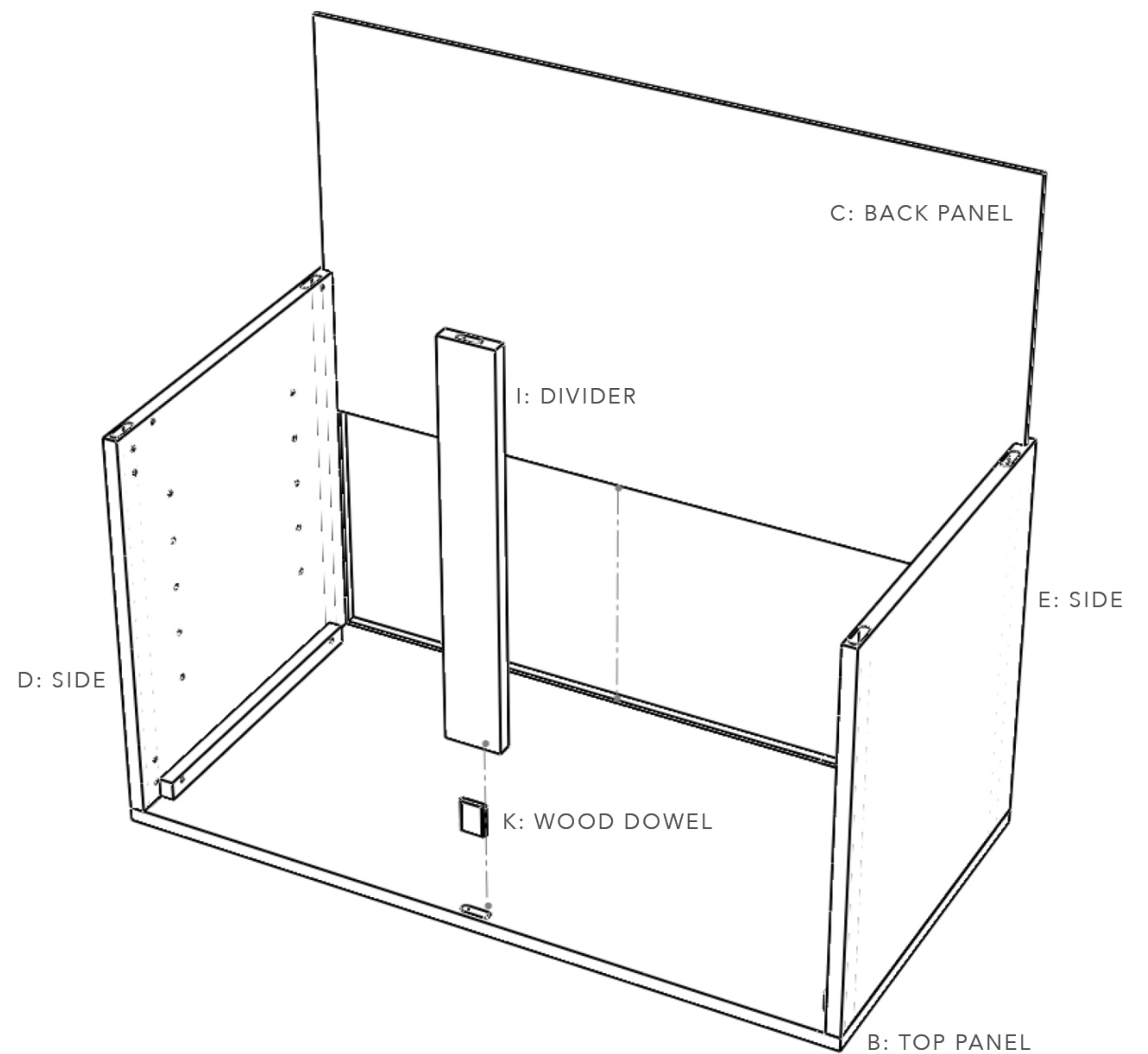
TAKE 4 LONG SCREWS (PART L) AND SECURE THEM INTO THE SIDE BARS OF THE TOP PANEL (PART B) USING A PHILLIPS HEAD SCREWDRIVER.

PRO TIP: TO PROTECT THE WOOD, ASSEMBLE ON TOP OF THE CARDBOARD SHEETS INCLUDED IN YOUR PACKAGING.

3

SLIDE THE BACK PANEL (PART C) INTO THE GROOVES OF THE SIDES (PART D & E). SECURE ALL THE WAY INTO THE GROOVE OF THE TOP PANEL (PART B). PRESS FIRMLY INTO PLACE.

NEXT, TAKE THE DIVIDER (PART I) AND SECURE IT TO THE FRONT OF THE TOP PANEL USING A WOOD DOWEL (PART K).

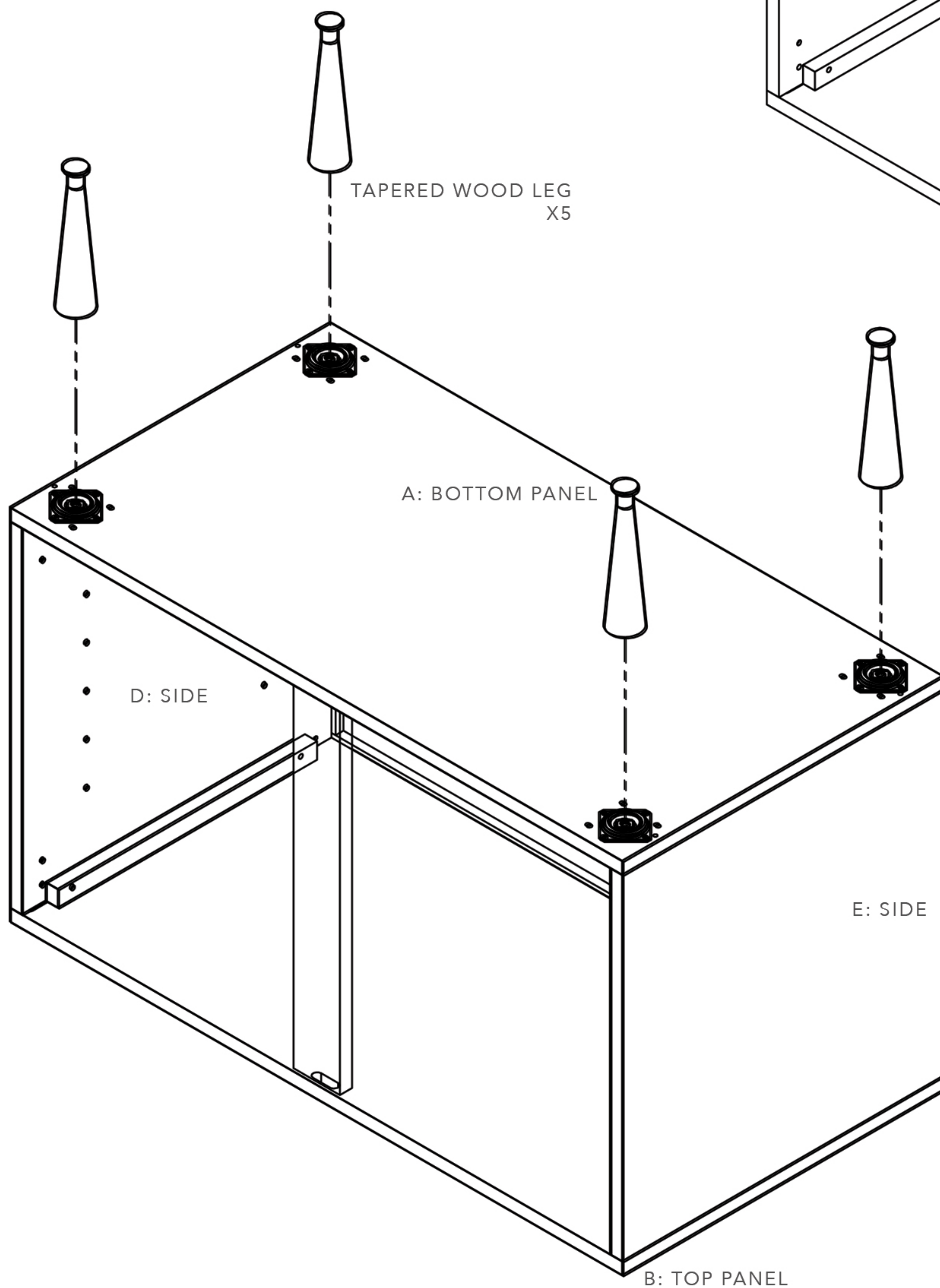
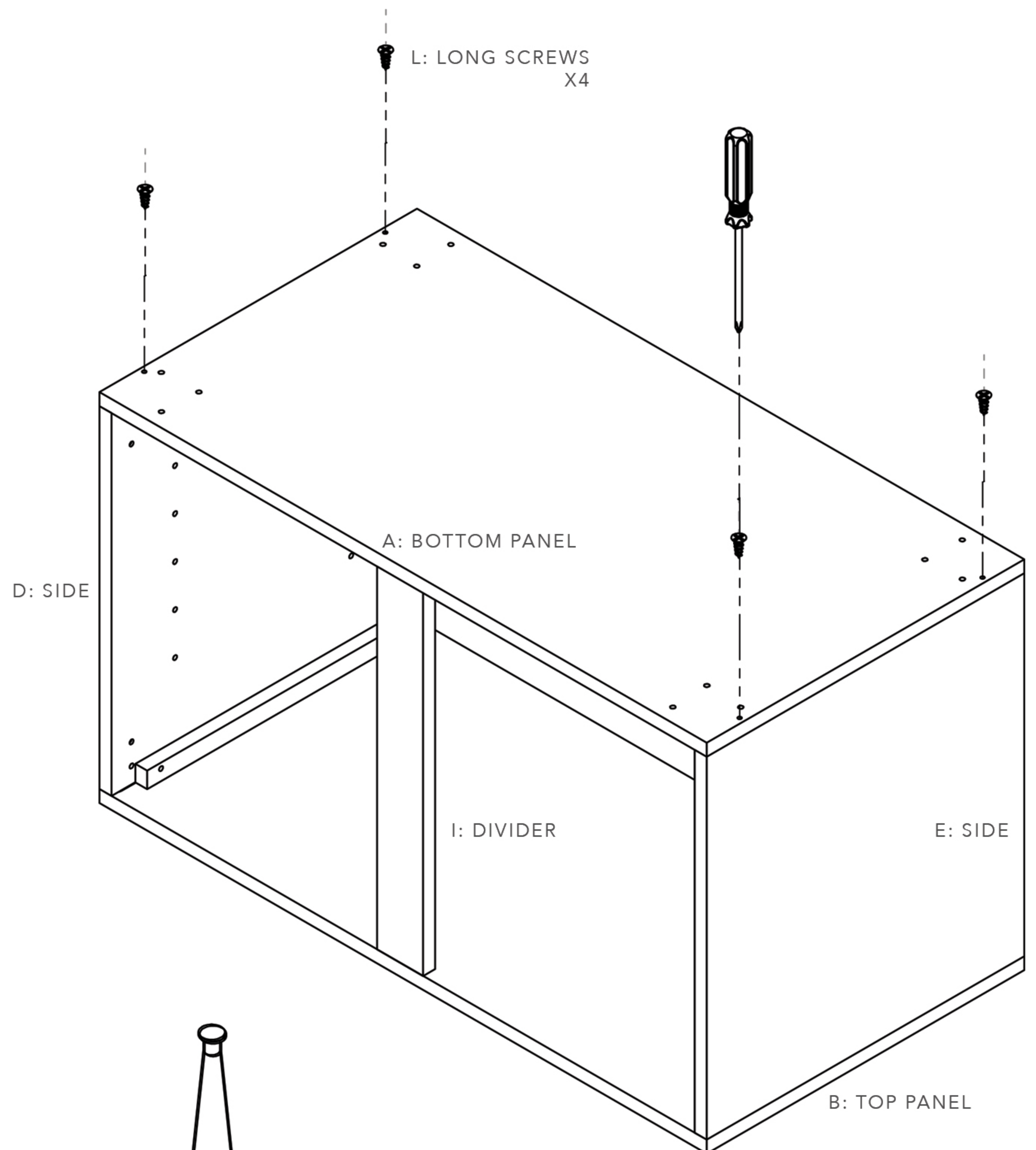


4

PLACE THE BOTTOM PANEL ON TOP OF THE SIDES (PART D & E) AND BACK (PART C) USING 5 WOOD DOWELS (PART K). MAKE SURE THE BACK PANEL FITS INTO THE GROOVE OF THE BOTTOM PANEL.

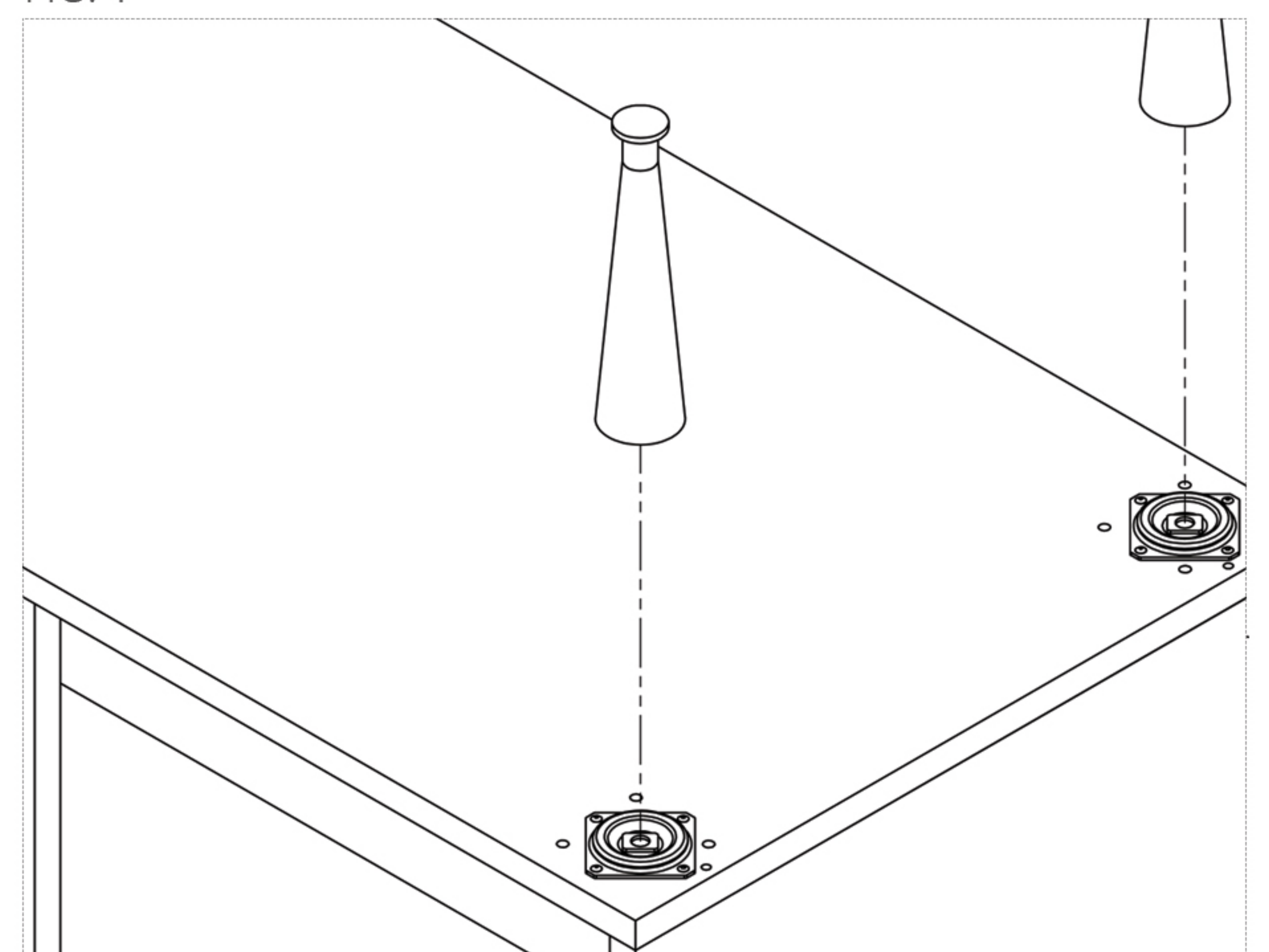
PRO TIP: TO PROTECT THE WOOD, ASSEMBLE ON TOP OF THE CARDBOARD SHEETS INCLUDED IN YOUR PACKAGING.

- 5** SECURE THE BOTTOM PANEL (PART A) USING 4 LONG SCREWS (PART L) AND A PHILLIPS HEAD SCREWDRIVER.



- 6** WOOD LEG OPTION ONLY:
LINE UP METAL PEG TIP OF EACH WOOD LEG WITH THE SOCKET ON THE BACK PANEL (PART C). TURN CLOCKWISE TO TIGHTEN. (SEE FIG.1)

FIG. 1



7

HAIRPIN LEG OPTION ONLY:

LINE UP EACH HAIRPIN LEG WITH THE CORRESPONDING HOLES IN BOTTOM PANEL (PART A).

SECURE WITH THREE BOLTS AND THREE WASHERS PER LEG USING THE INCLUDED WRENCH. (SEE FIG. 2)

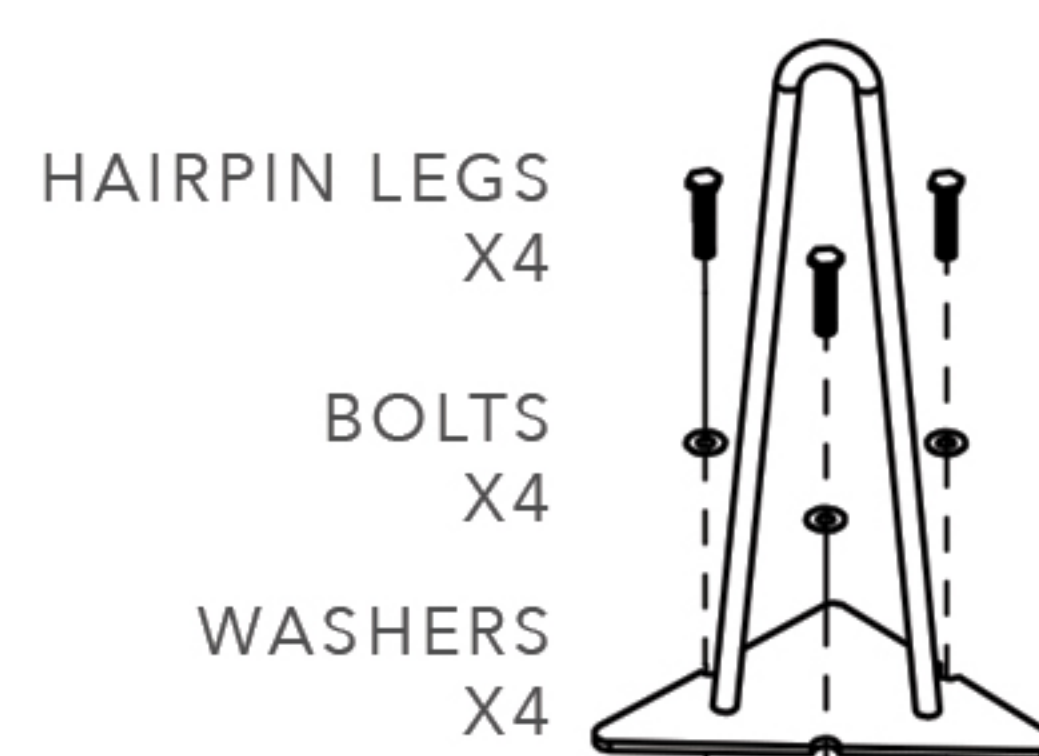
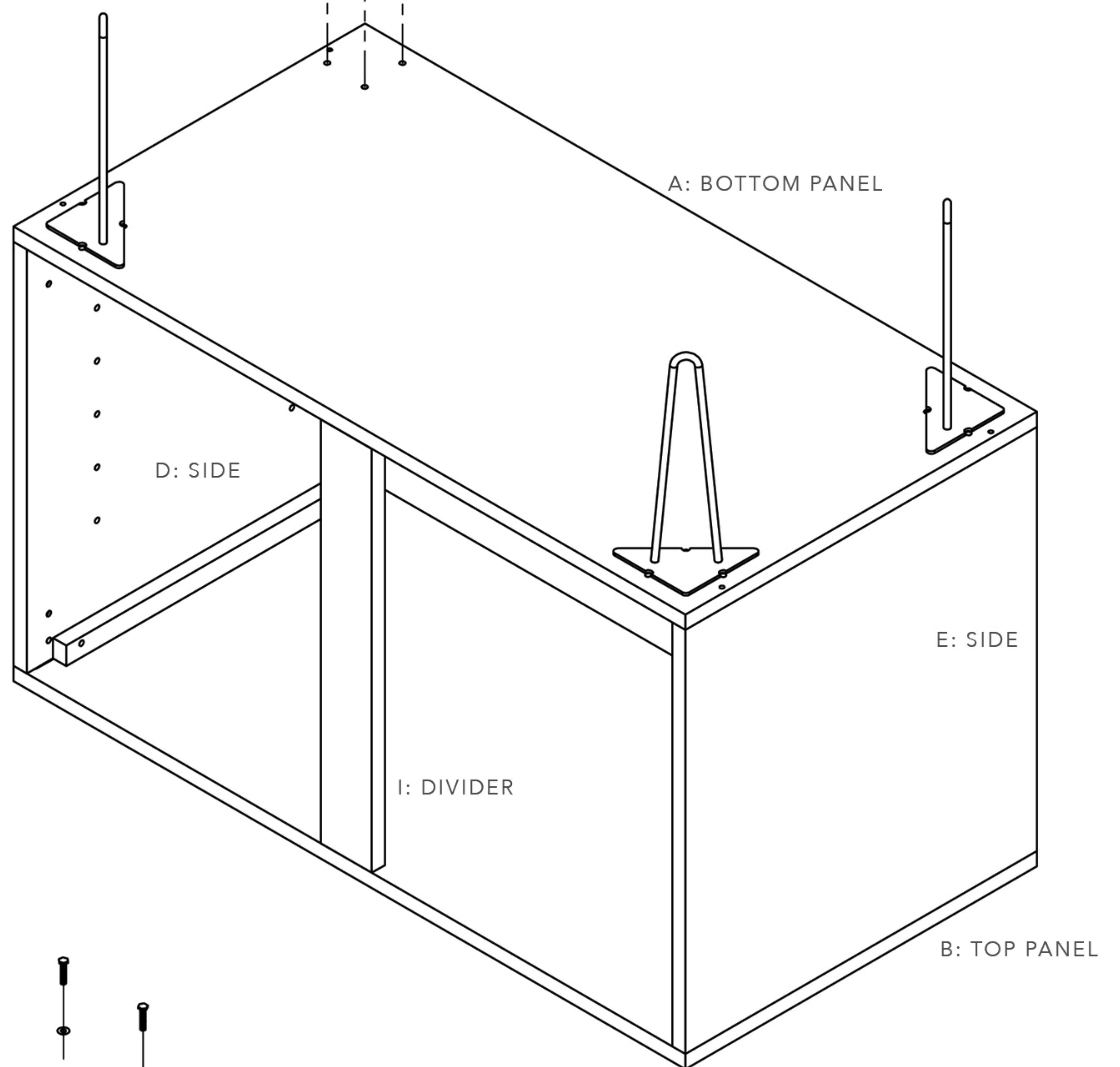
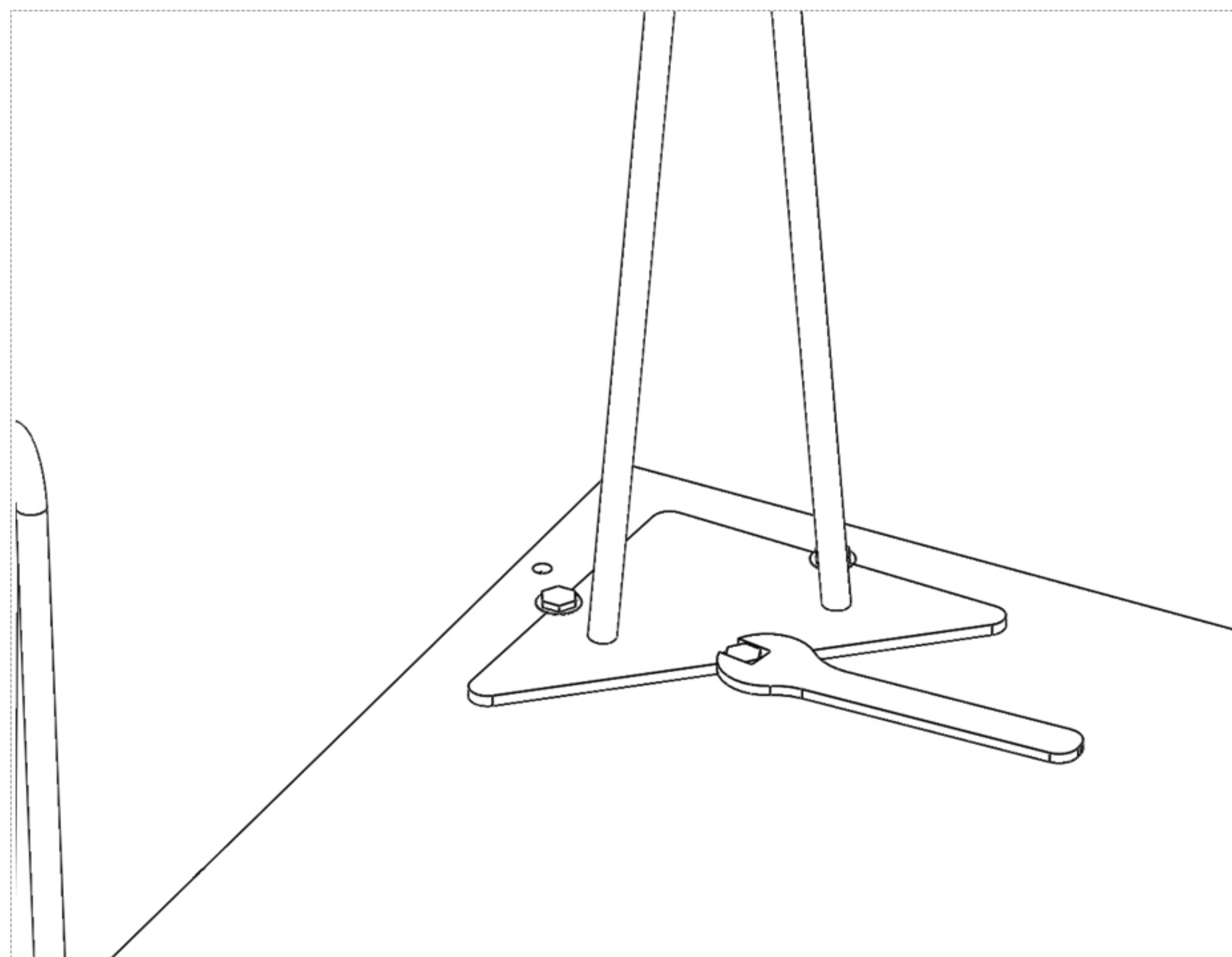


FIG. 2



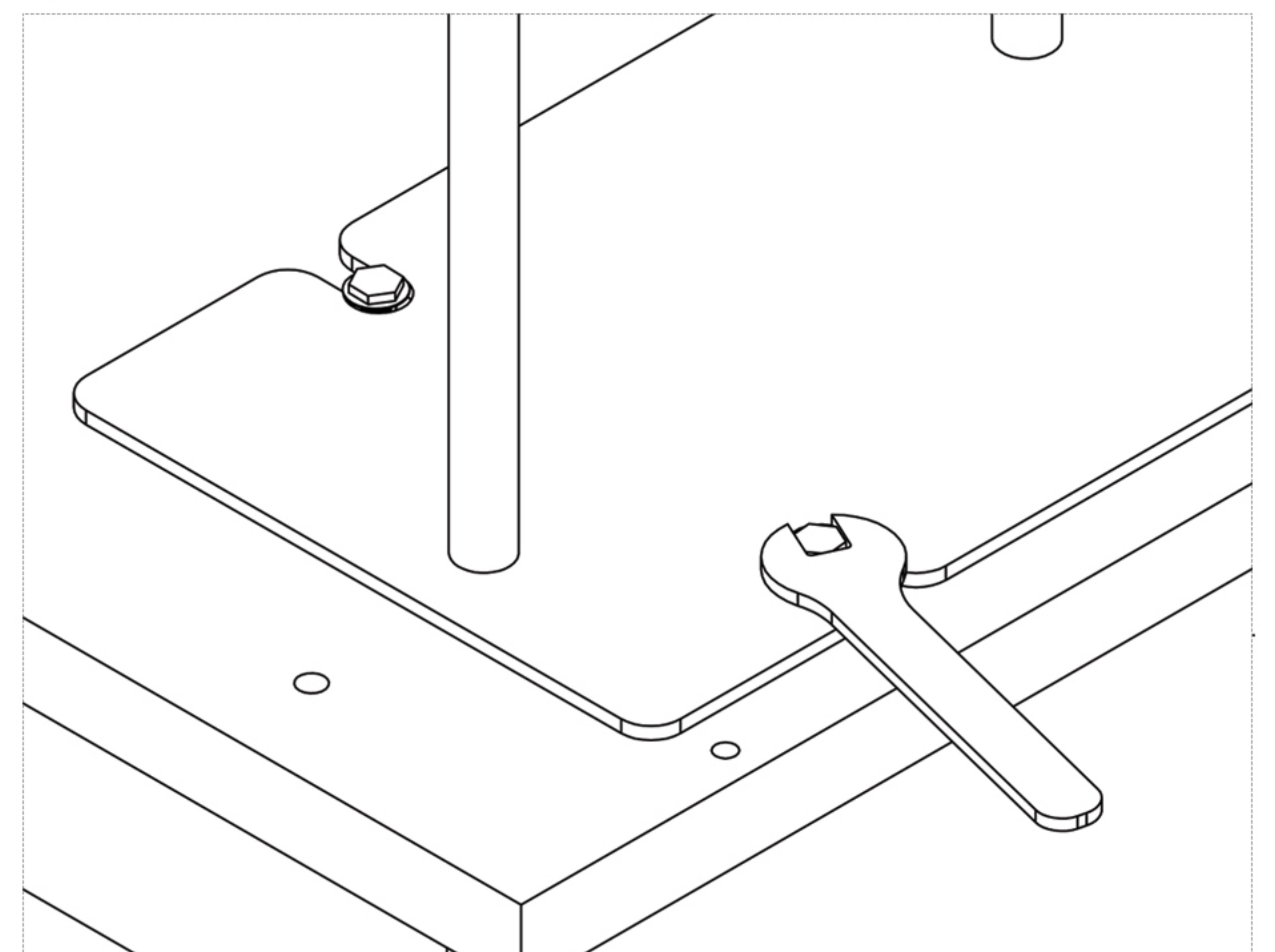
8

ASTON LEG OPTION ONLY:

LINE UP EACH ASTON LEG WITH THE CORRESPONDING HOLES IN BOTTOM PANEL (PART A).

SECURE WITH FOUR BOLTS AND FOUR WASHERS PER LEG USING THE INCLUDED WRENCH. (SEE FIG. 3)

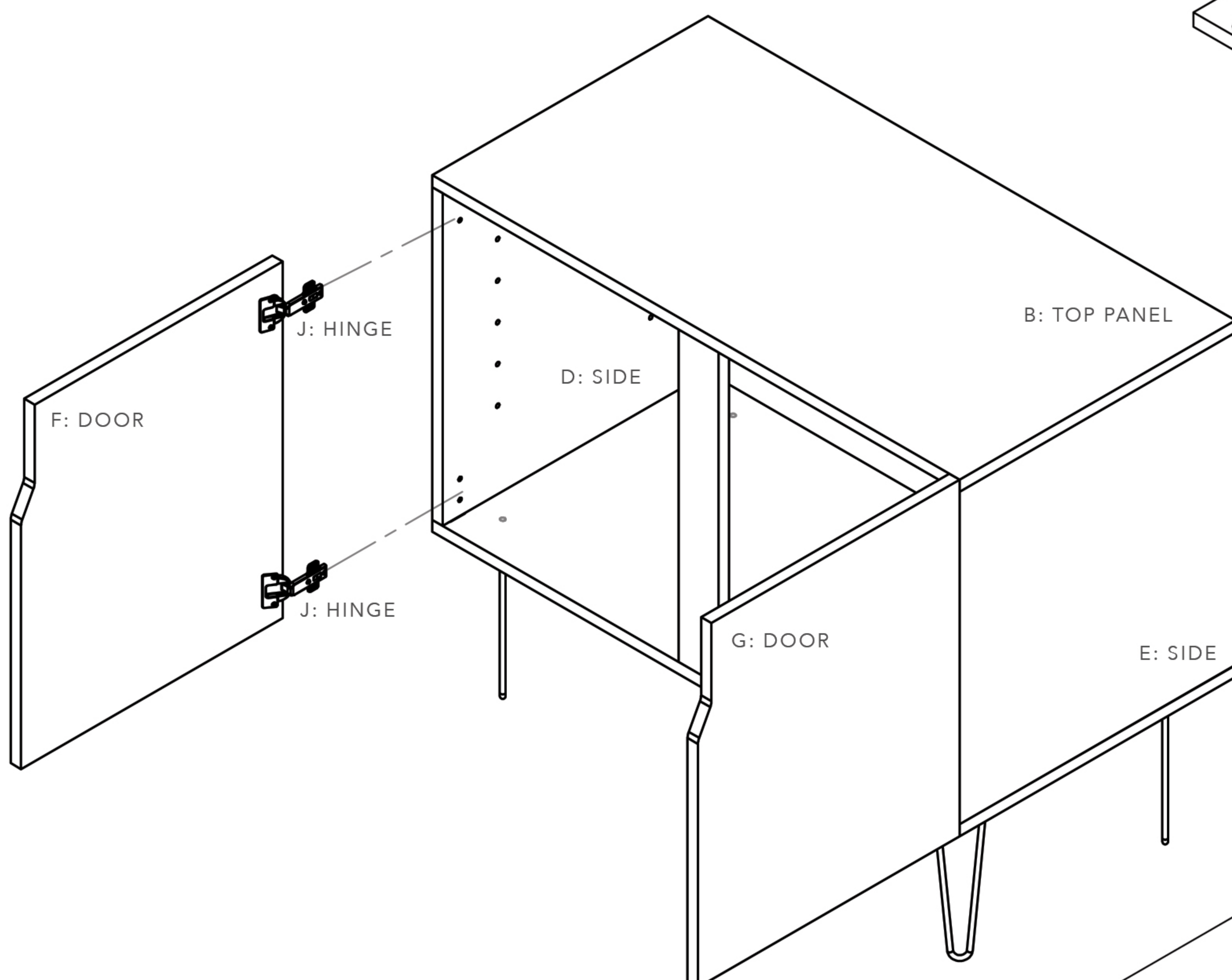
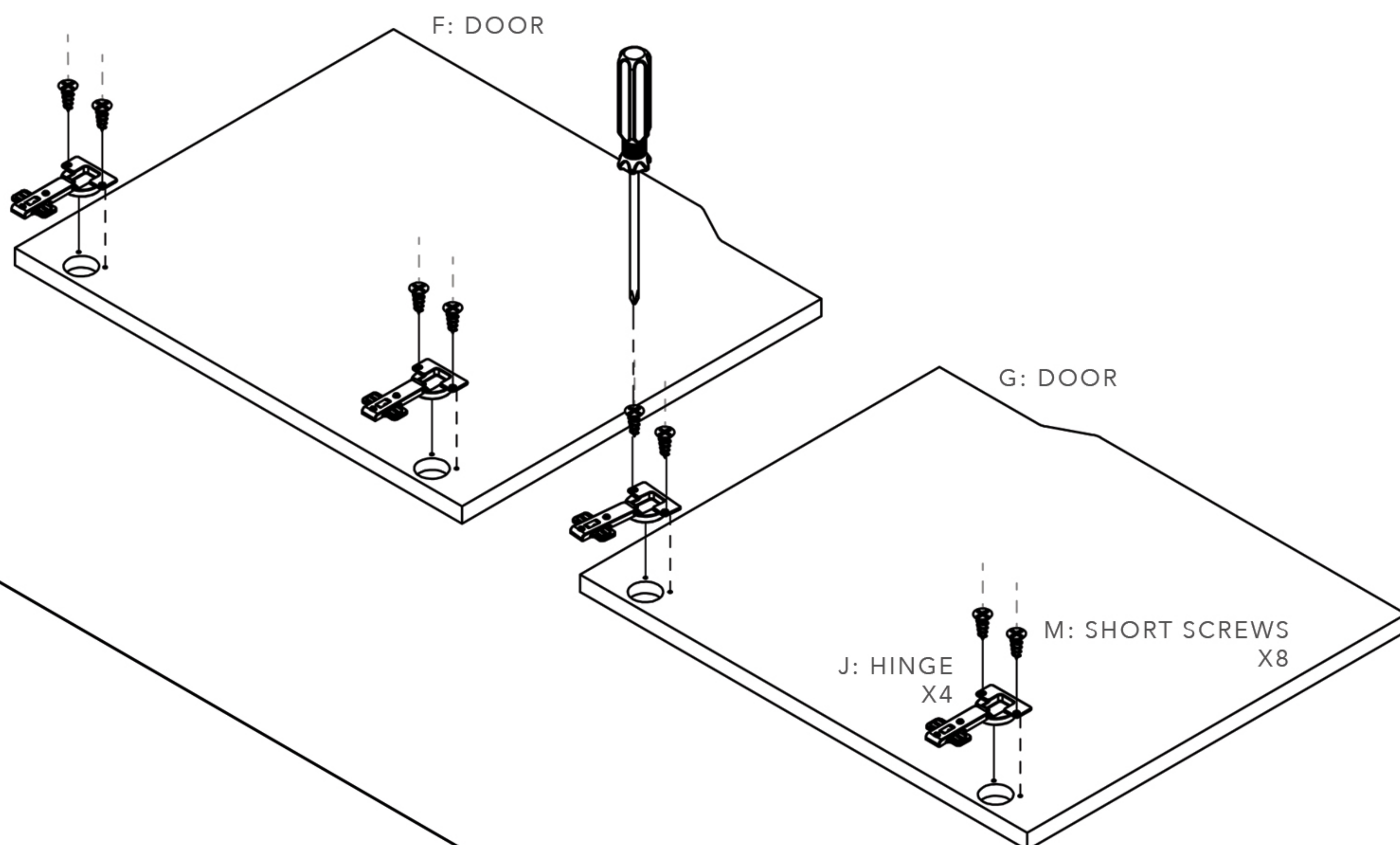
FIG. 3



9

LAY DOORS (PARTS F & G) FLAT ON A PROTECTIVE CARDBOARD PIECE.

PLACE 4 HINGES (PART J) INTO CORRESPONDING HOLES OF DOORS (PARTS F & G). SECURE WITH 2 SHORT SCREWS (PART M) PER HINGE USING A PHILLIPS HEAD SCREWDRIVER.



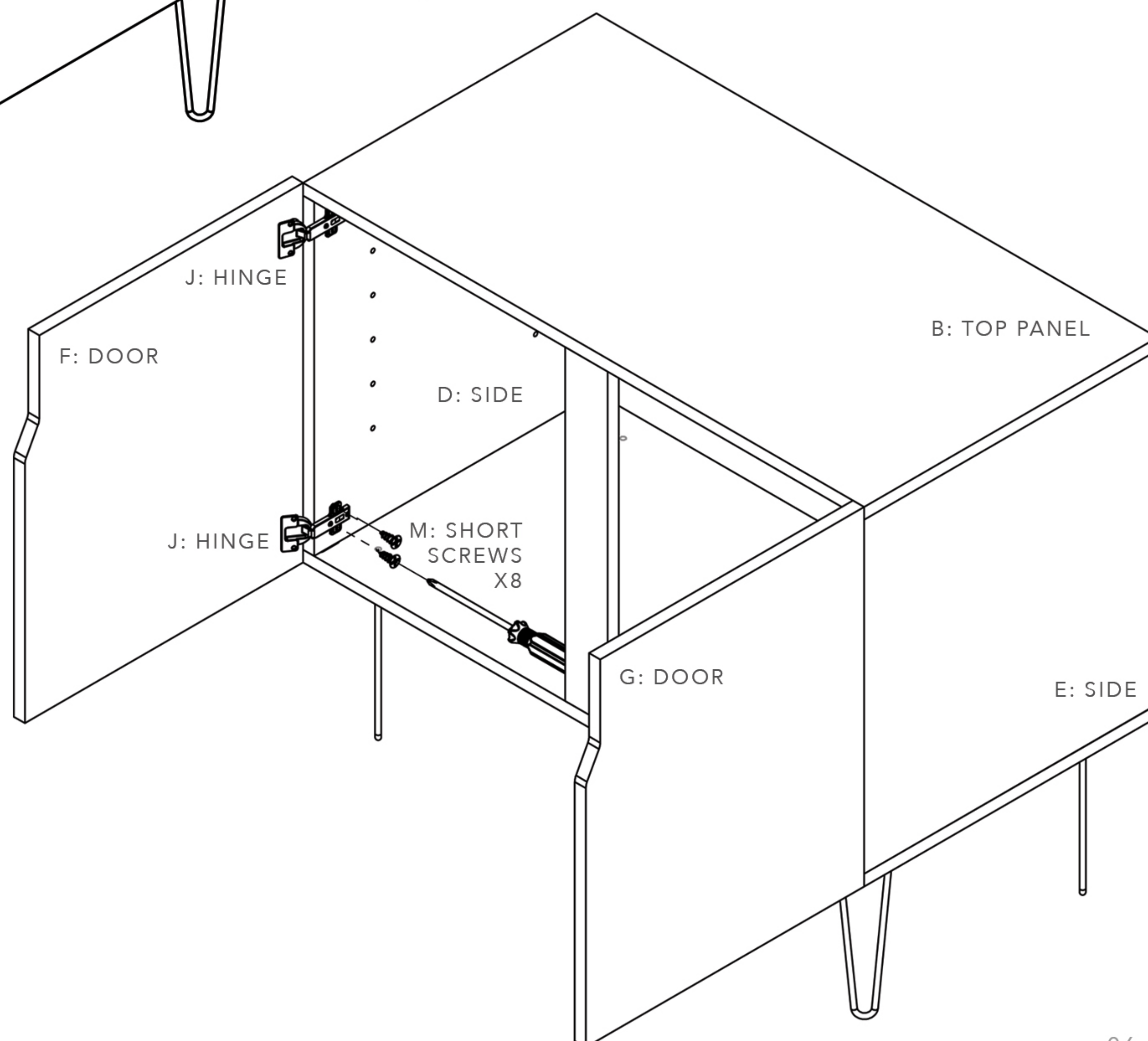
10

FLIP CREDENZA BASE RIGHTSIDE UP, WITH LEGS ON THE GROUND.

11

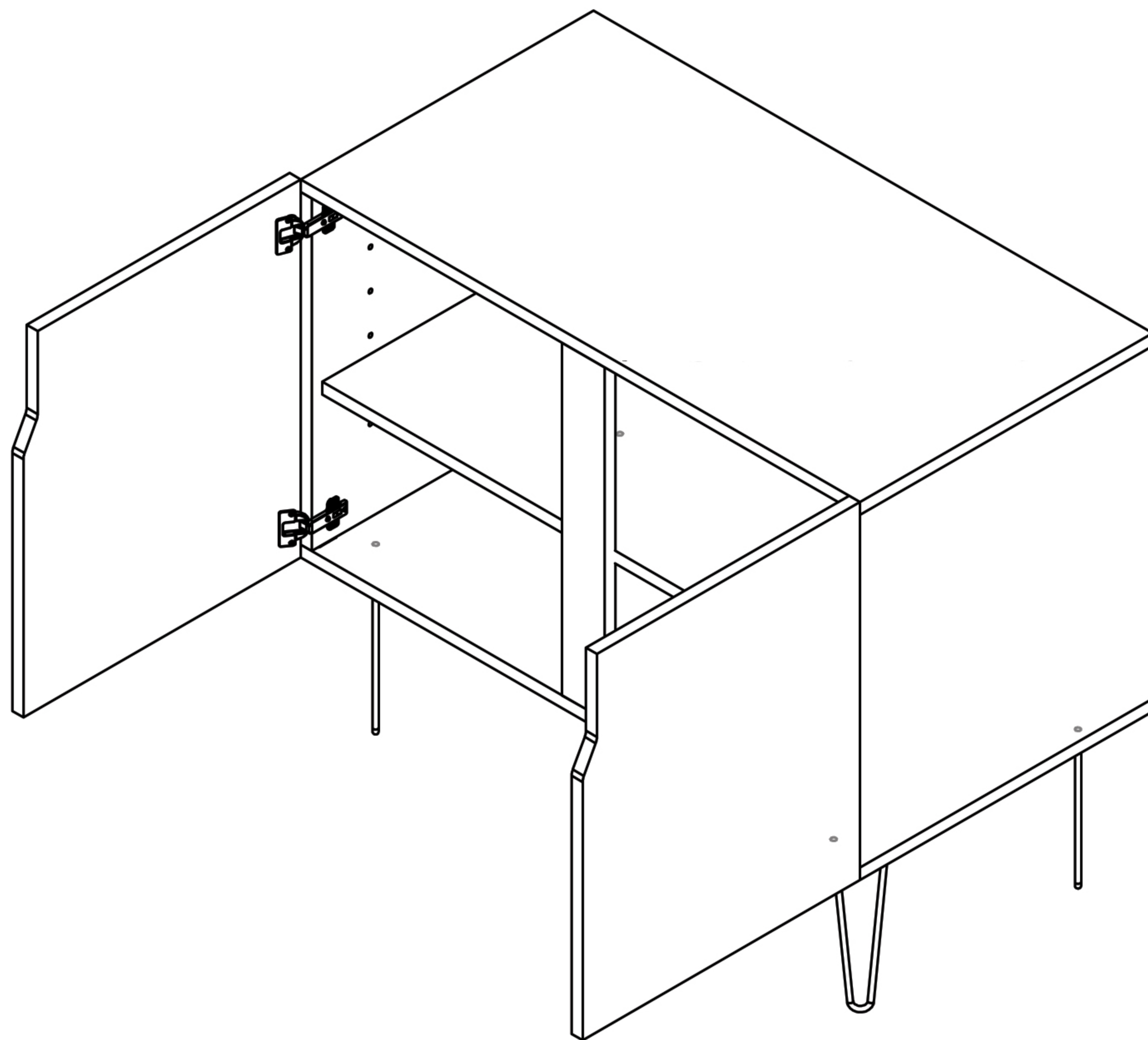
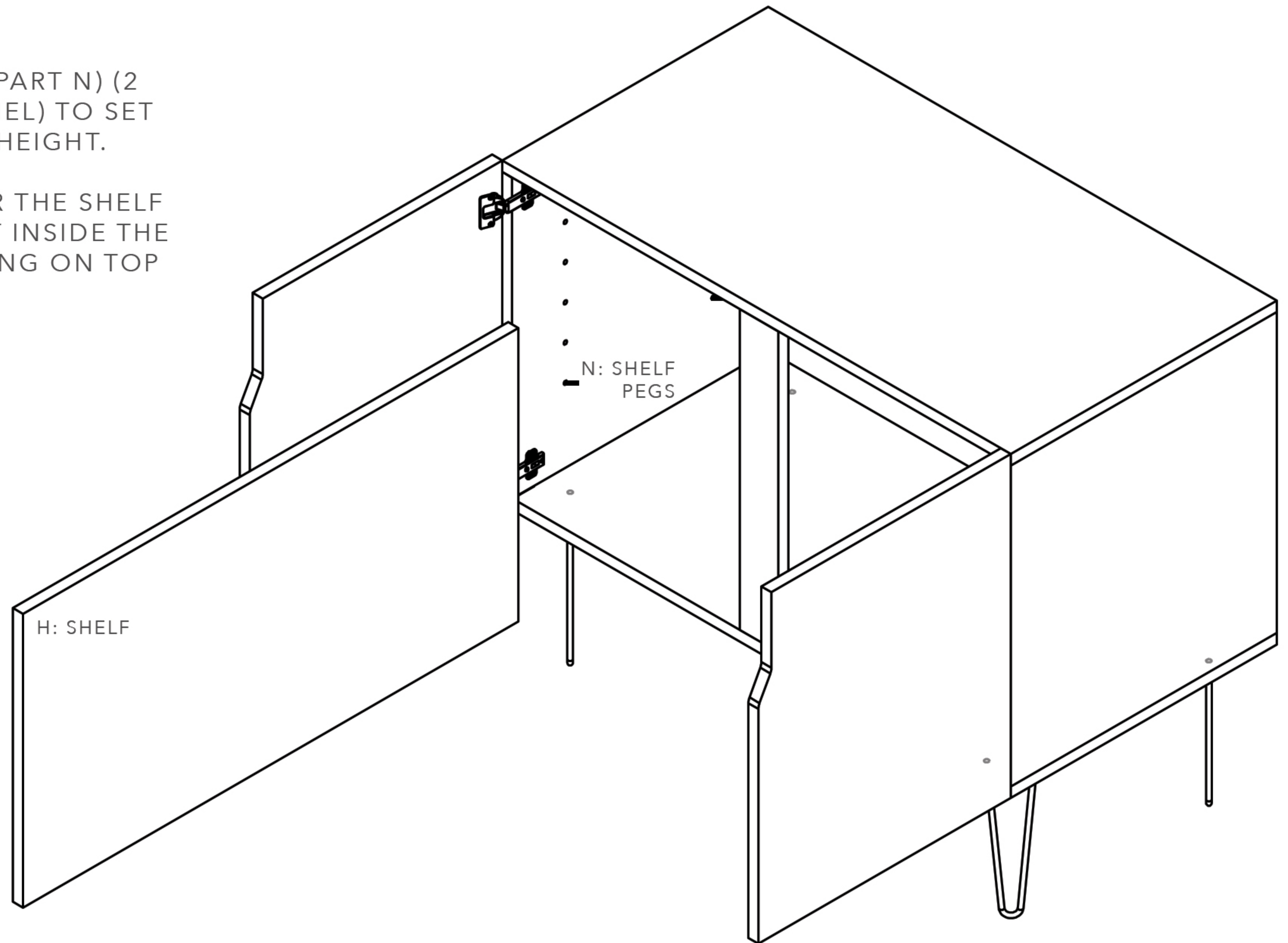
ATTACH EACH DOOR (PARTS F & G) BY LINING UP EACH HINGE TO THE FRONT INSIDE HOLES OF EACH SIDE PANEL (PARTS D & E).

SECURE WITH 2 SHORT SCREWS (PART M) PER HINGE (PART J).



12 PLACE 4 SHELF PEGS (PART N) (2 INSIDE EACH SIDE PANEL) TO SET YOUR DESIRED SHELF HEIGHT.

CAREFULLY MANUEVER THE SHELF (PART H) BY SLIDING IT INSIDE THE CREDENZA AND PLACING ON TOP OF SHELF PEGS.



13 TA DAH! CONGRATULATIONS, YOU NOW HAVE THE PRETTIEST PIECE OF FURNITURE ON THE BLOCK.

? **1-800-973-6091**
MON-FRI 9:30AM-4:30PM MST
SUPPORT@DENYDESIGNS.COM

PRO TIP: TO PROTECT WOOD AND HARD FLOORS, USE INCLUDED FELT PROTECTORS UNDERNEATH THE CREDENZA LEGS.

? **1-800-973-6091**
MON-FRI 9:30AM-4:30PM MST
SUPPORT@DENYDESIGNS.COM



SHOP THE FUN AT DENYDESIGNS.COM