


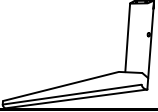


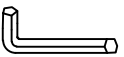
GLASS AND MIRROR CARE

Dust with a soft, dry cloth. Do not use abrasive cleaner. To clean mirror , spray a small amount of glass cleaner onto a lint-free cloth and wipe mirror clean.

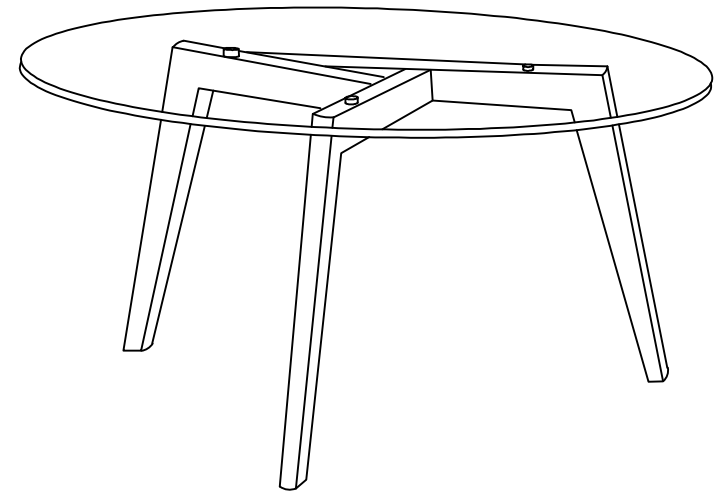
NOTICE

- * Please make sure that you have all parts indicated before you begin assembly of this item
- * This item should be assembled on a soft surface to prevent scratching the finish during assembly
- * This item may require periodic tightening

Part List and Hardware List

PIECE	DESCRIPTION	PICTURE	QUANTITY
A	Panel		1X
B	Leg		3X
H1	Flat washer		3X
H2	Allen bolt		9X
H3	Allen key		1X

Product Dimensions:35.43"D x 17.71"H



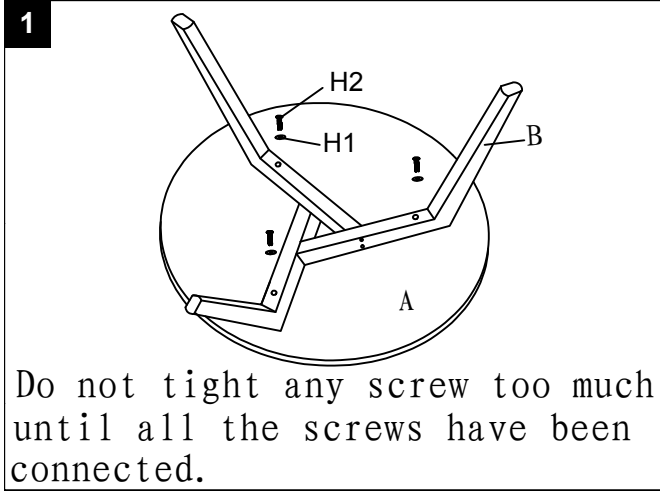
PREPARATION

Before beginning assembly of product, make sure all parts are present. Compare parts with package contents list and hardware contents list.

If any part is missing or damaged, do not attempt to assemble the product.

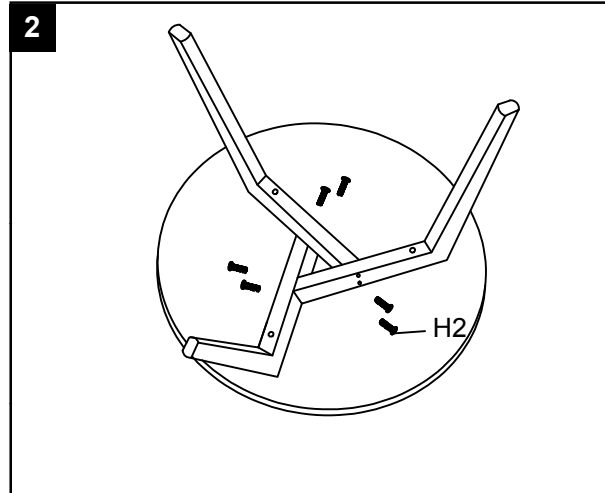
Estimated Assembly Time: 30 minutes.

Tools Required for Assembly (included): Allen Key



Step 1

Attach front leg (B) to Table (A) using Allen bolt(h2) and flat washer (H1),Tighten with allen key (H3)



Step 2

Attach rear legs (B) to chair (A) using allen bolt (H2) flat washer (H4),and Spring washer (H3)
Tighten with allen key (H5)