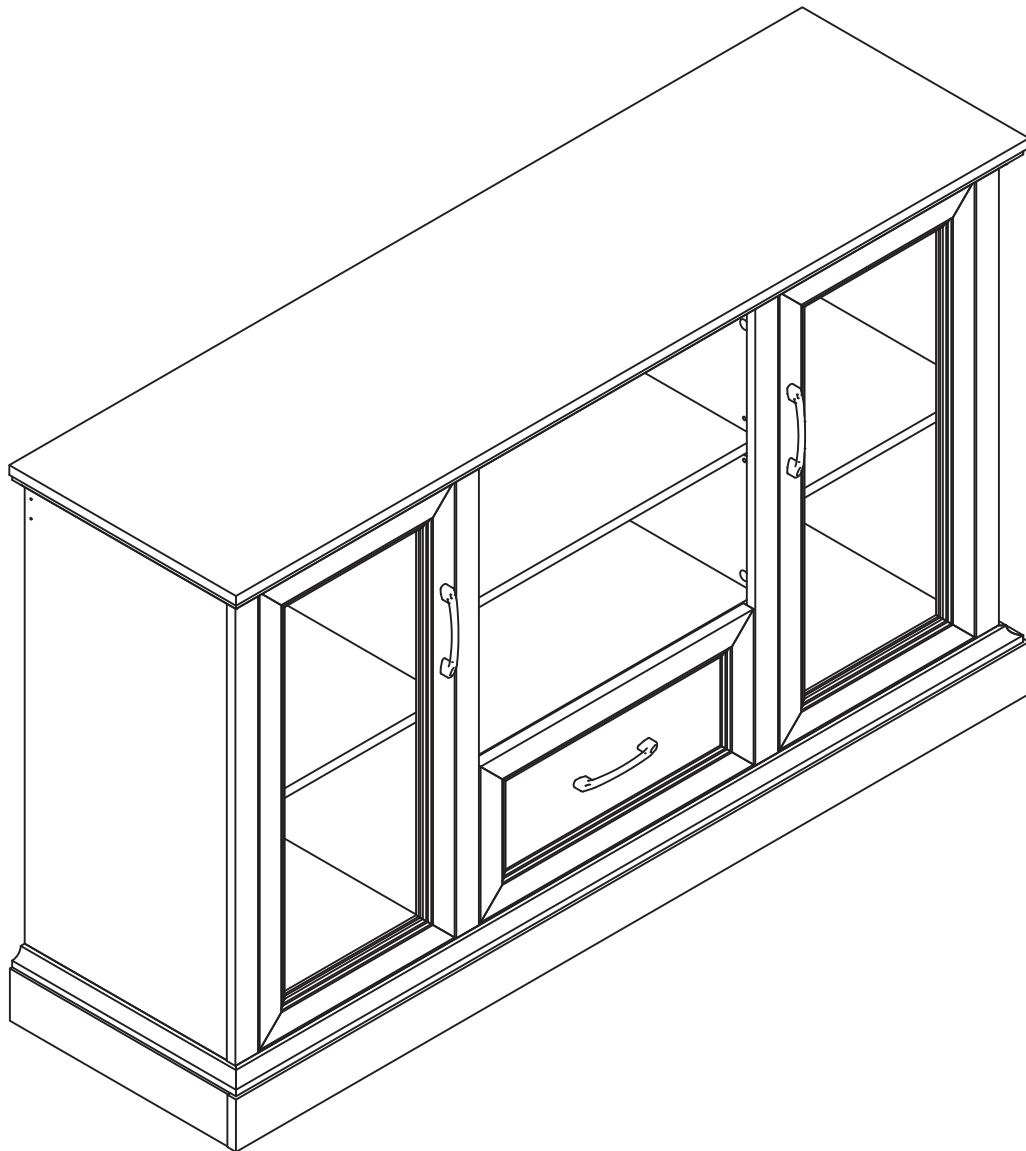


# ASSEMBLY INSTRUCTIONS



2 persons



tools require



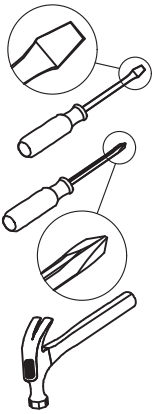
2 hour need



Any questions please contact us

As this item contains many parts, please read the installation instruction carefully before installation . Please use tools properly and carefully. If you have any questions about the product and installation, please contact us.

# Before You Start



- ✓ Read through each step carefully and follow the proper order
- ✓ Separate and count all your parts and hardware
- ✓ Give yourself enough room for the assembly process
- ✓ Have the following tools: Flat Head Screwdriver, #2 Phillips Head Screwdriver and Hammer
- ✓ Caution: If using a power drill or power screwdriver for screwing, please be aware of to slow down and stop when screw is tight. Failure to do so may result in stripping the screw. (Assembly speed can be increased by using electric screwdriver)

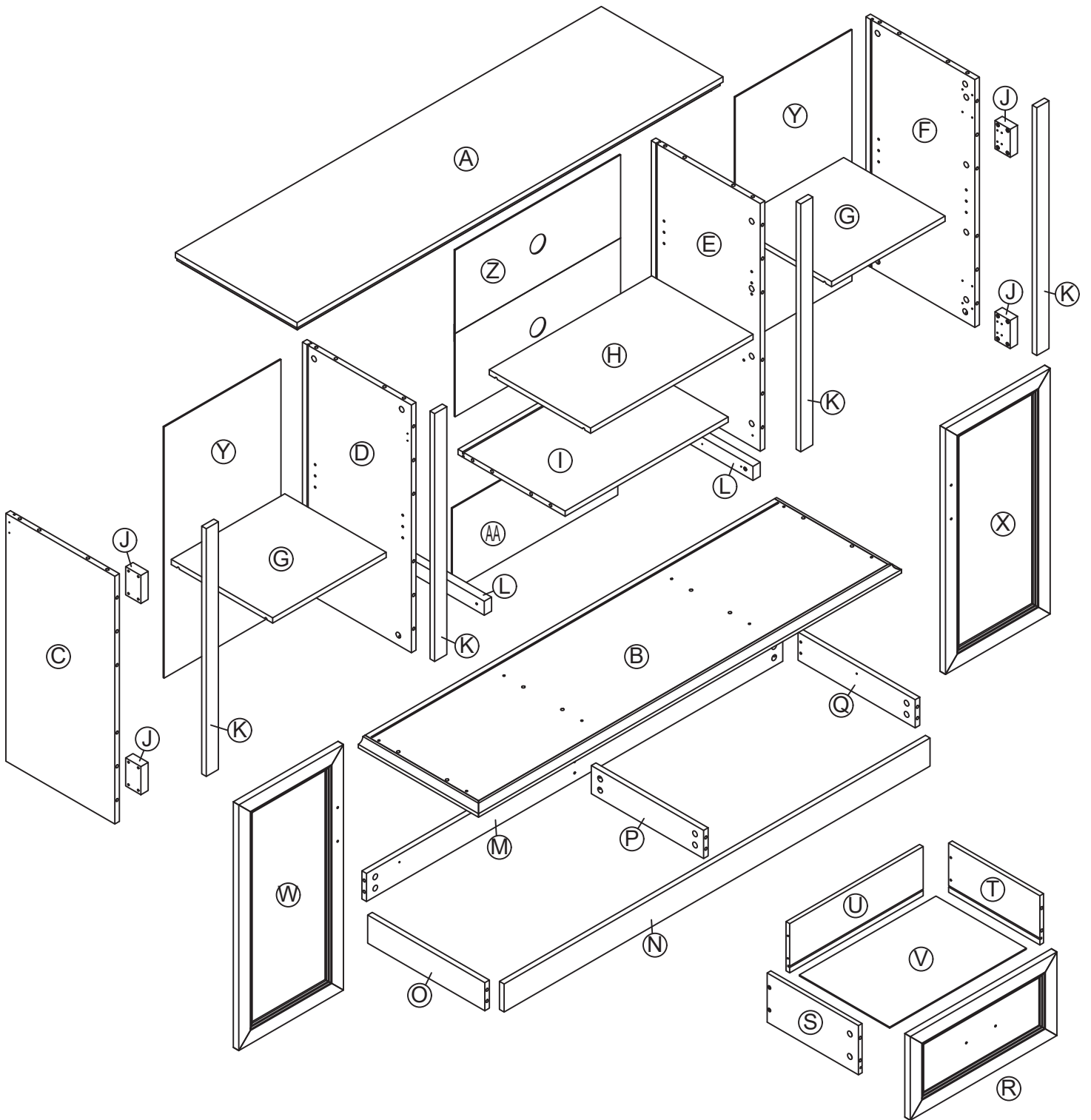
# Helpful Hints

## PEOPLE NEEDED FOR ASSEMBLY: 1-2

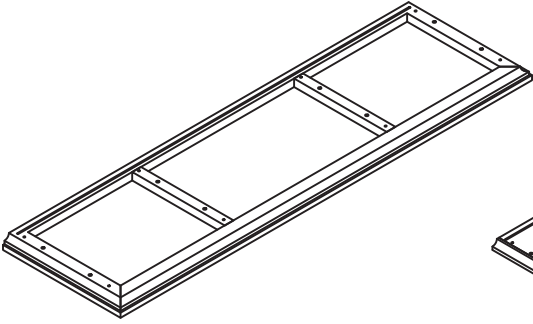
- Open your item in the area you plan to keep it to avoid excessive heavy lifting.
- Identify, sort and count the parts before attempting assembly.
- Compression dowels are lightly tapped in with a hammer.
- Slides are labeled with an **R** (right) and **L** (left) for proper placement.
- Make sure to always face the point on the top of the Cam Lock towards the outer edge.
- If there is a back panel in the package, please install it to make sure your unit is complete and sturdy.
- Please fix all the screws provided for the back panel which can enhance product stability. If it is difficult to fix it when tightening, it can be fixed with the help of a hammer and then tightened.
- Do NOT use harsh chemicals or abrasive cleaners on this item.
- Never push, pull, or drag your furniture.



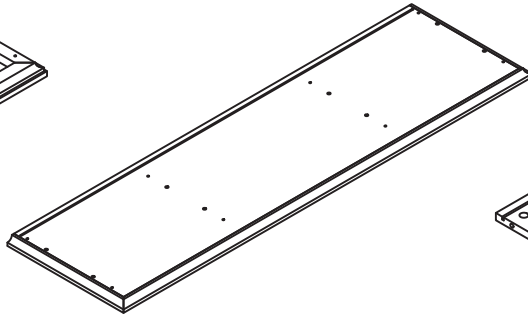
# EXPLODED DRAWING



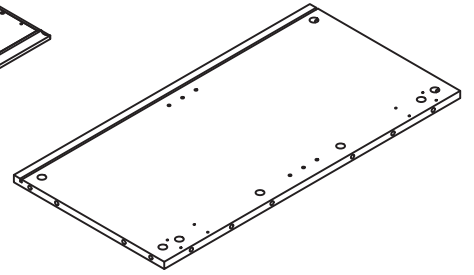
# PART LIST



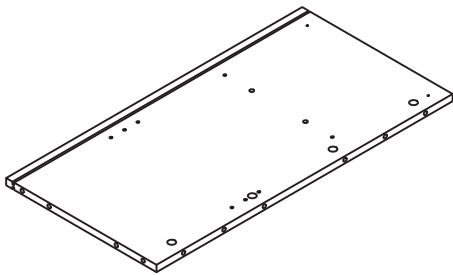
Ⓐ  
Qty:1



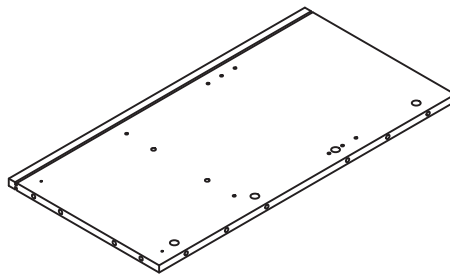
Ⓑ  
Qty:1



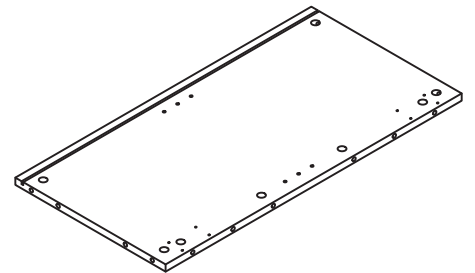
Ⓒ  
Qty:1



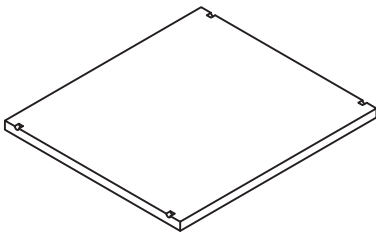
Ⓓ  
Qty:1



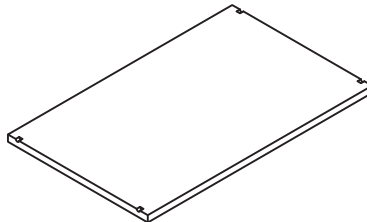
Ⓔ  
Qty:1



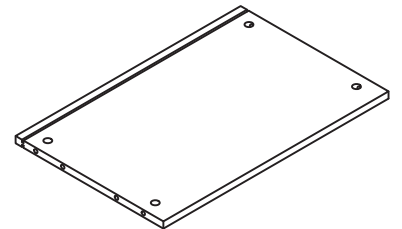
Ⓕ  
Qty:1



Ⓖ  
Qty:2

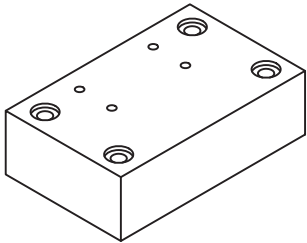


Ⓖ  
Qty:1

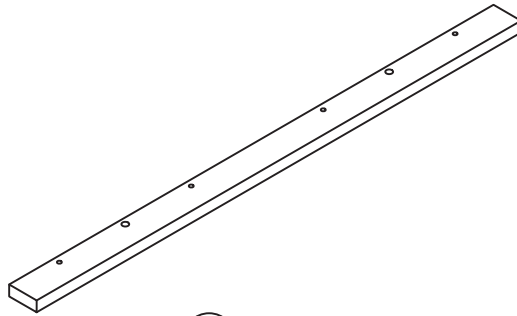


Ⓖ  
Qty:1

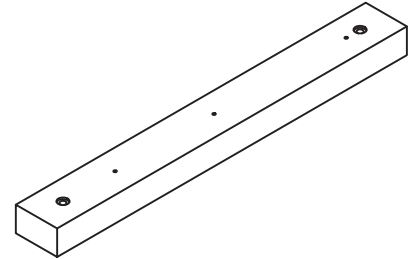
# PART LIST



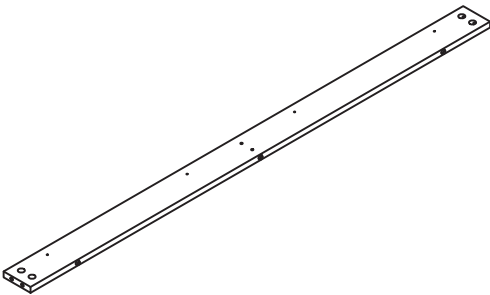
ⓐ  
Qty:4



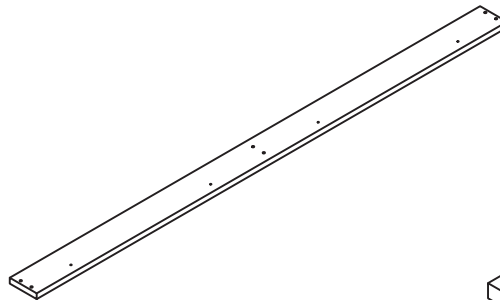
ⓑ  
Qty:4



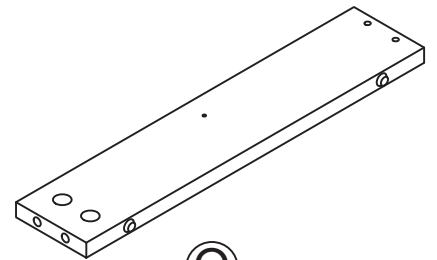
ⓒ  
Qty:2



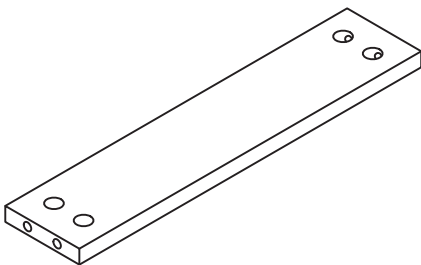
ⓓ  
Qty:1



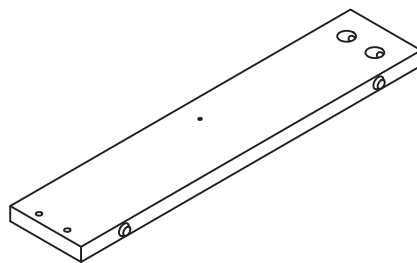
ⓔ  
Qty:1



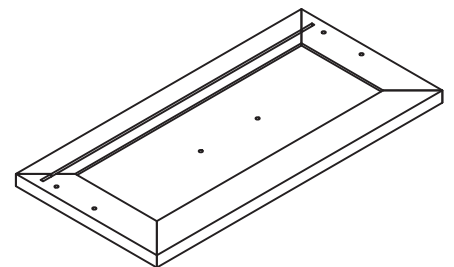
ⓕ  
Qty:1



ⓖ  
Qty:1



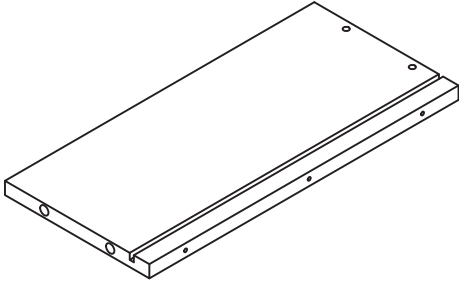
ⓗ  
Qty:1



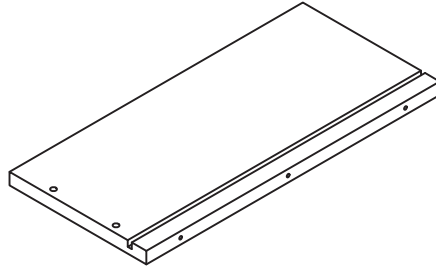
ⓘ  
Qty:1

---

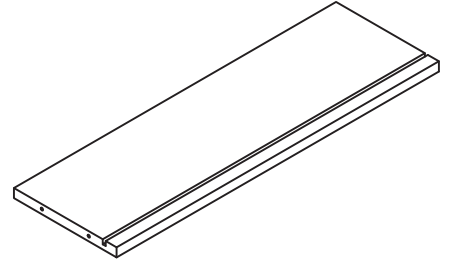
# PART LIST



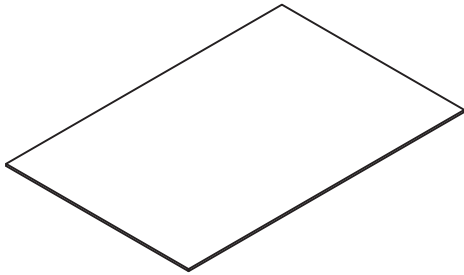
Ⓢ  
Qty:1



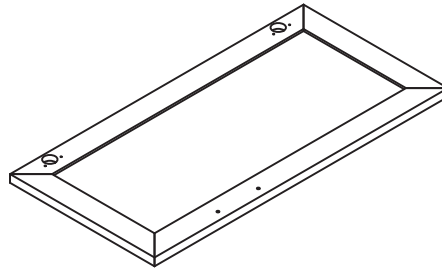
Ⓣ  
Qty:1



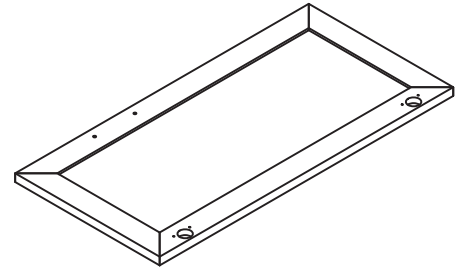
Ⓤ  
Qty:1



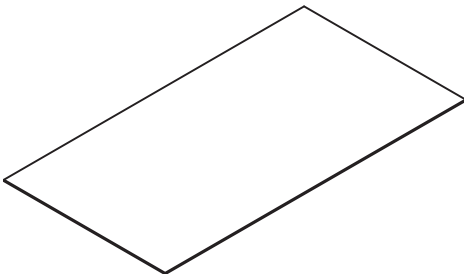
Ⓥ  
Qty:1



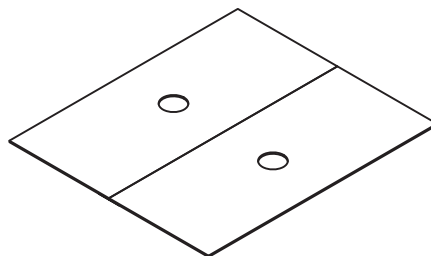
Ⓦ  
Qty:1



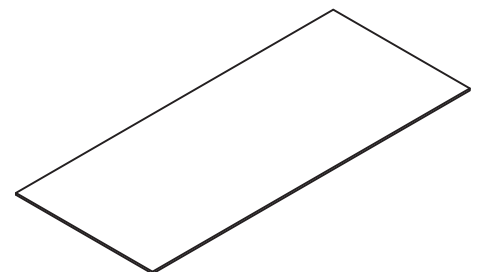
Ⓧ  
Qty:1



Ⓨ  
Qty:2

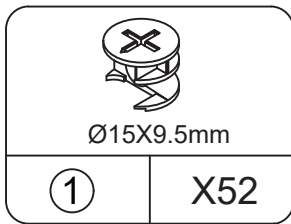


Ⓩ  
Qty:1

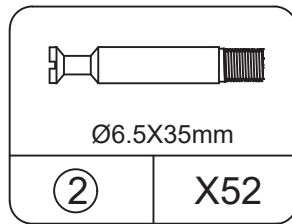


ⓐⓐ  
Qty:1

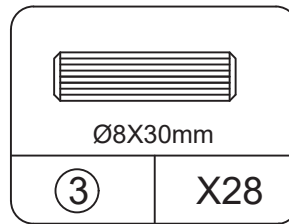
# ACCESSORY LIST



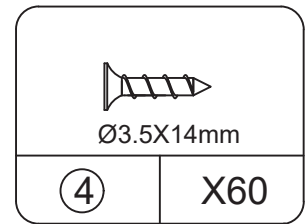
CAM LOCK  
spare:3



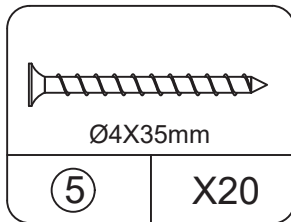
CAM BOLT  
spare:3



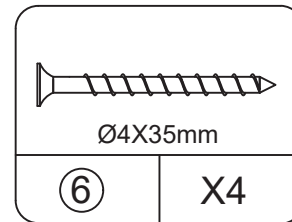
WOOD DOWEL  
spare:2



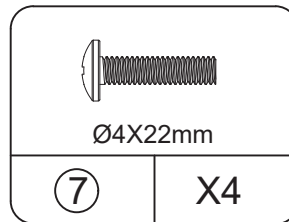
SCREW  
spare:3



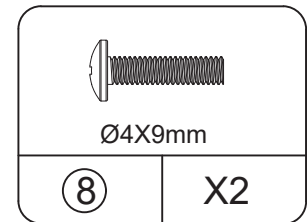
SCREW  
spare:1



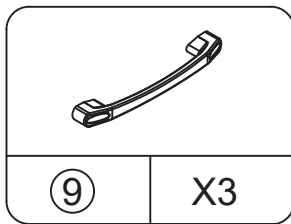
SCREW  
spare:1



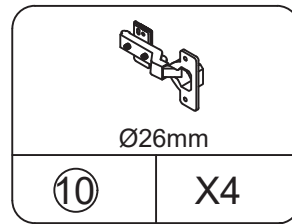
SCREW



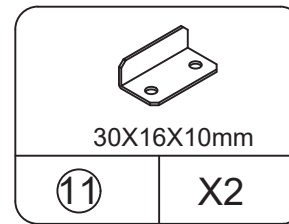
SCREW



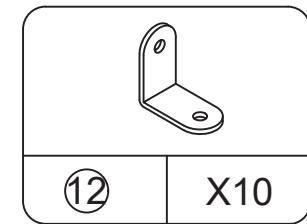
HANDLE



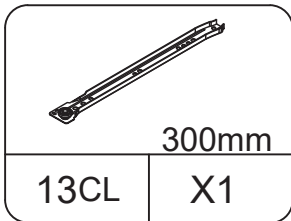
HINGE



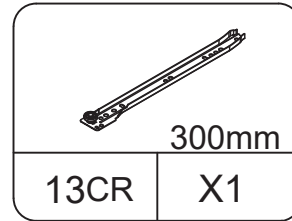
DOOR STALLS



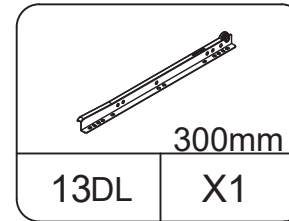
IRON SHEETS



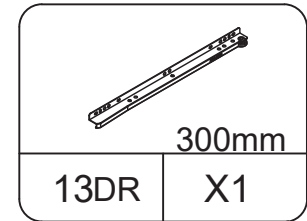
GUIDE RAIL



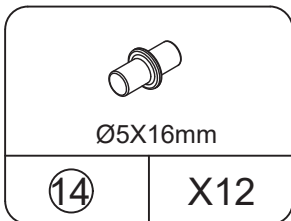
GUIDE RAIL



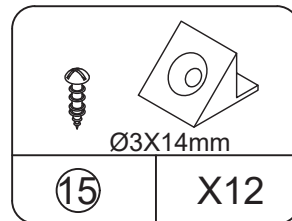
GUIDE RAIL



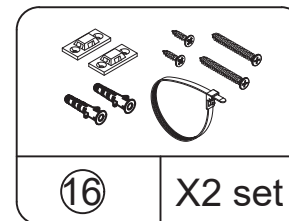
GUIDE RAIL



SHELF SUPPORT



BACK PLATE BUCKLE  
spare:1



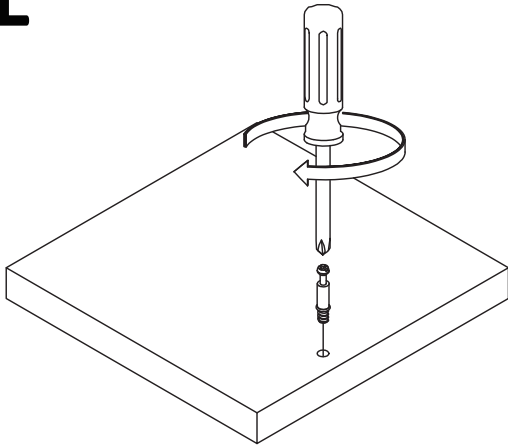
TIPPING RESTRAINT  
HARDWARE KIT

---

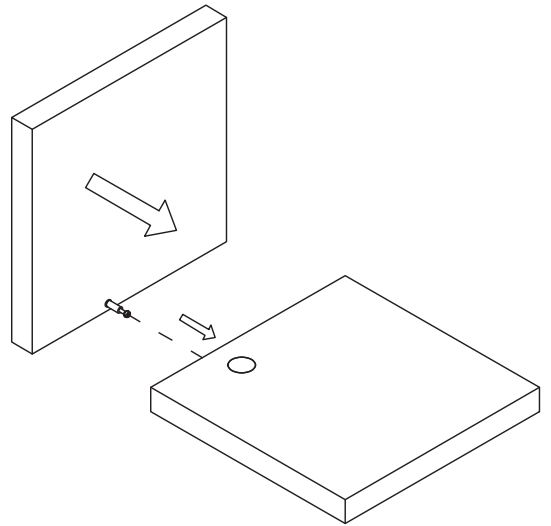
# CAM LOCK FASTENING SYSTEM

Insert the cam bolt into the hole first, then insert the cam lock and lock it.

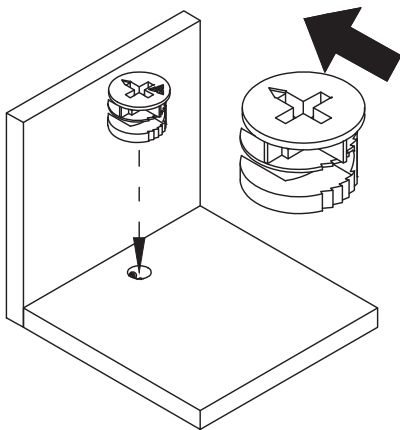
1



2

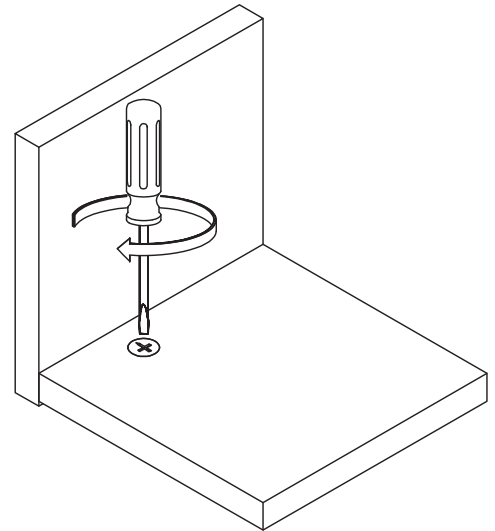


3

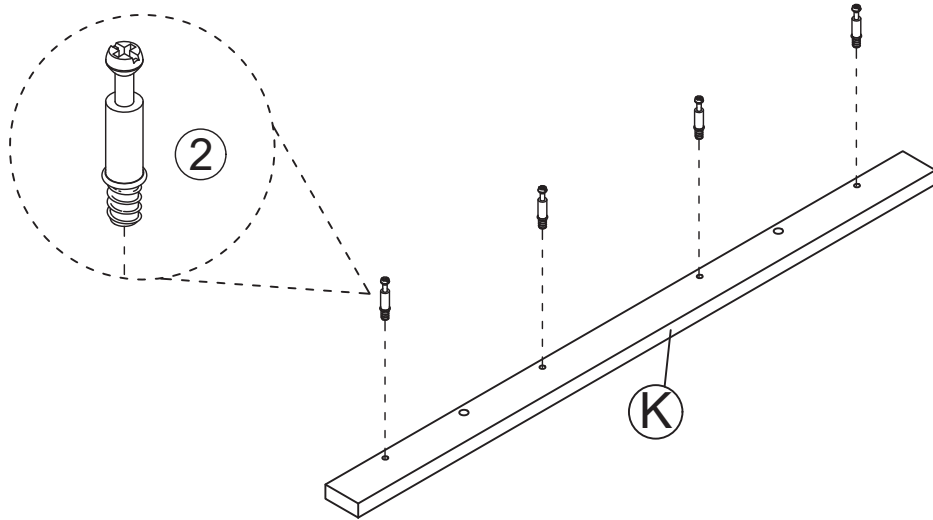
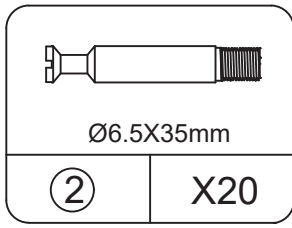
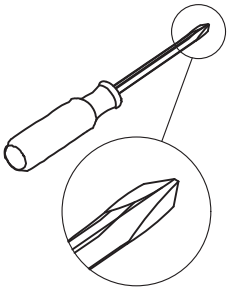


The opening must point toward the edge of the board

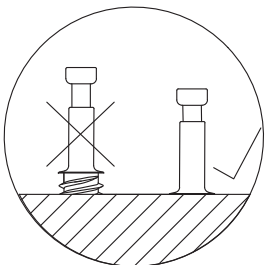
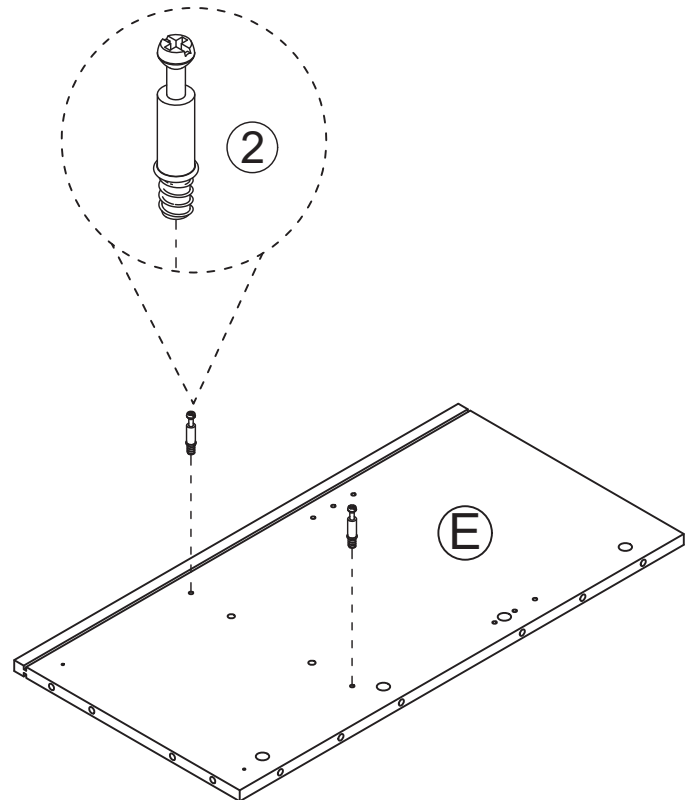
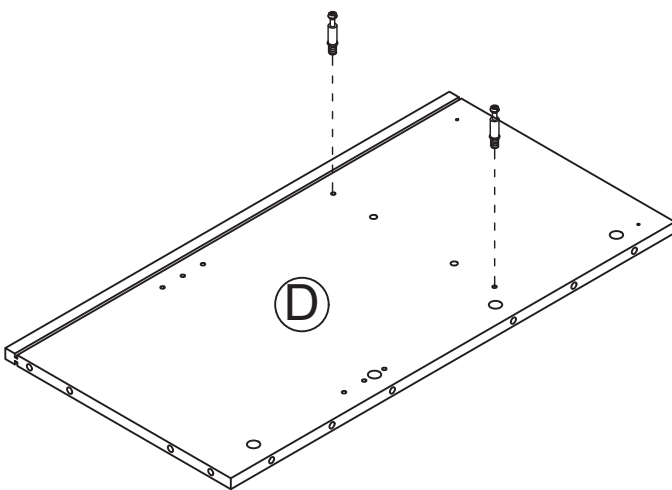
4



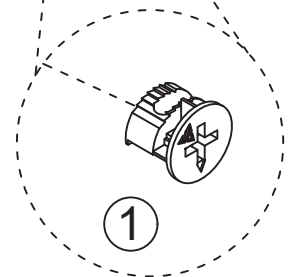
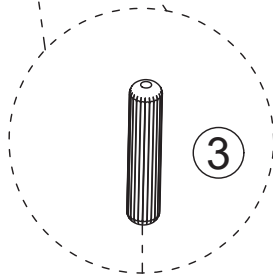
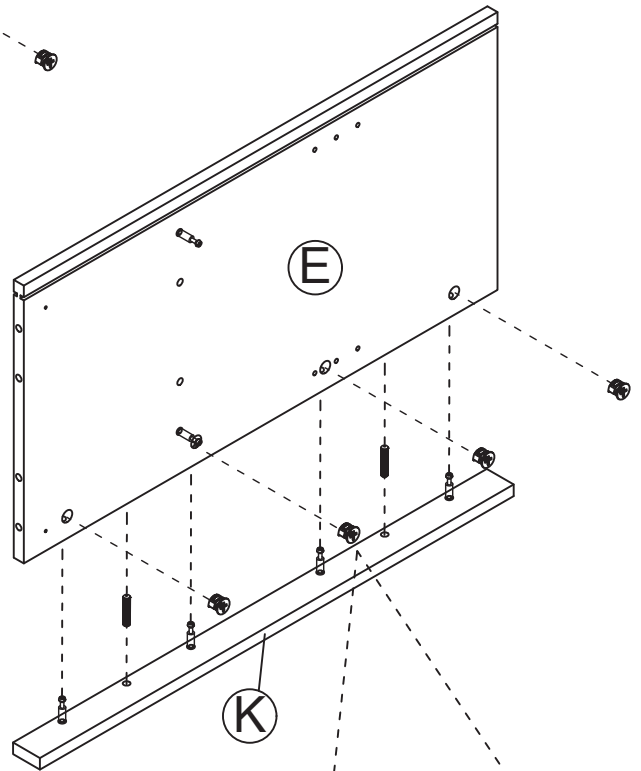
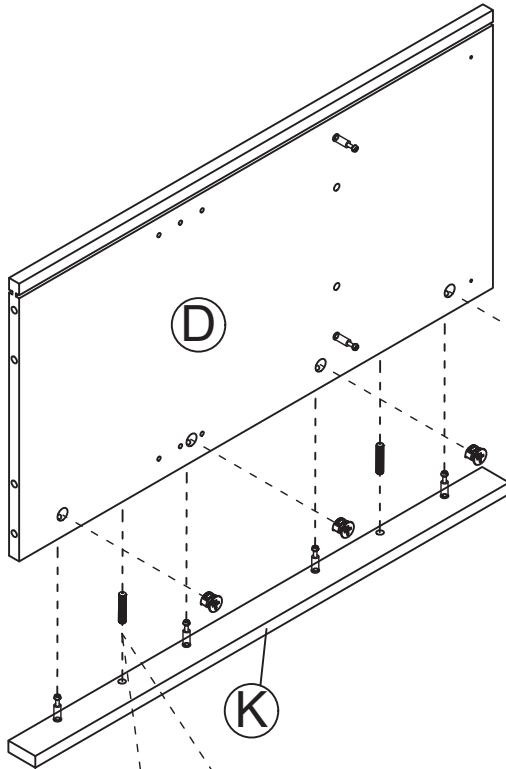
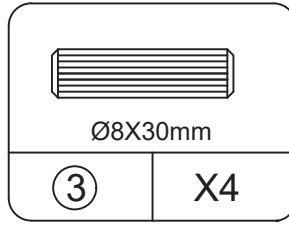
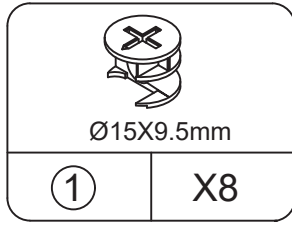
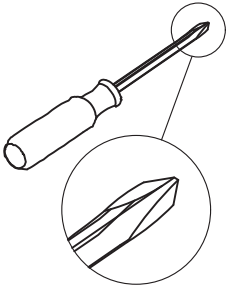
# STEP 1



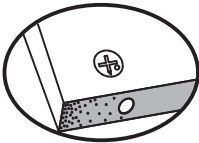
X4



# STEP 2

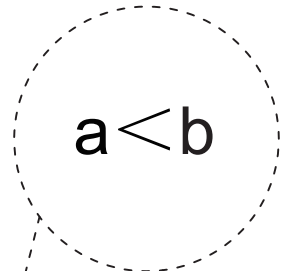
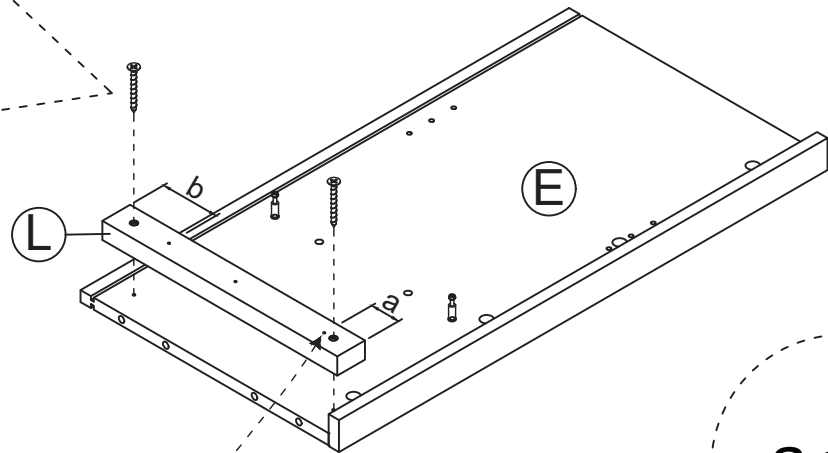
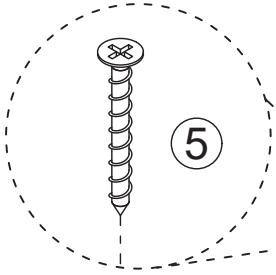
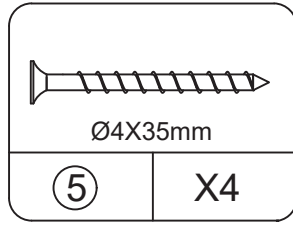
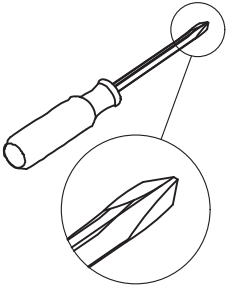


Insert the cam bolt into the hole first, then insert the cam lock and lock it.

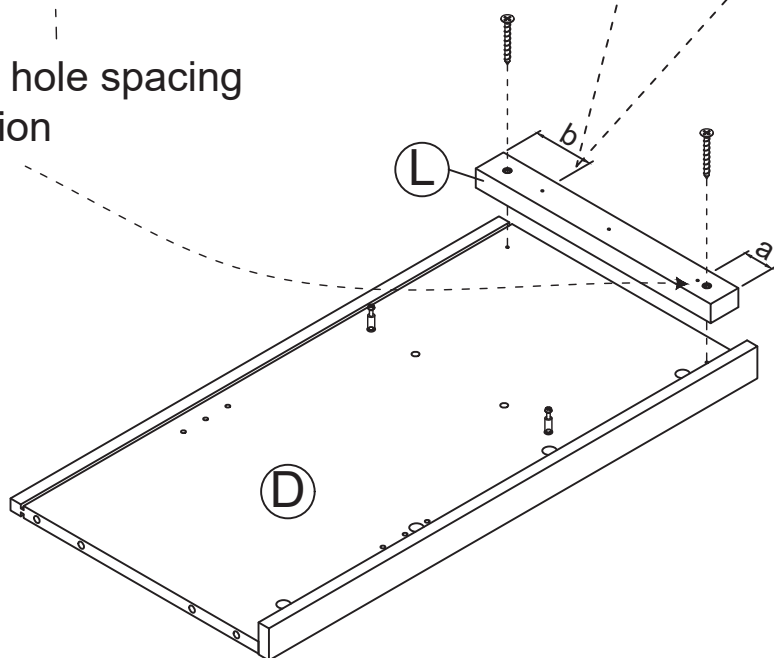


Proper orientation of CAM LOCK

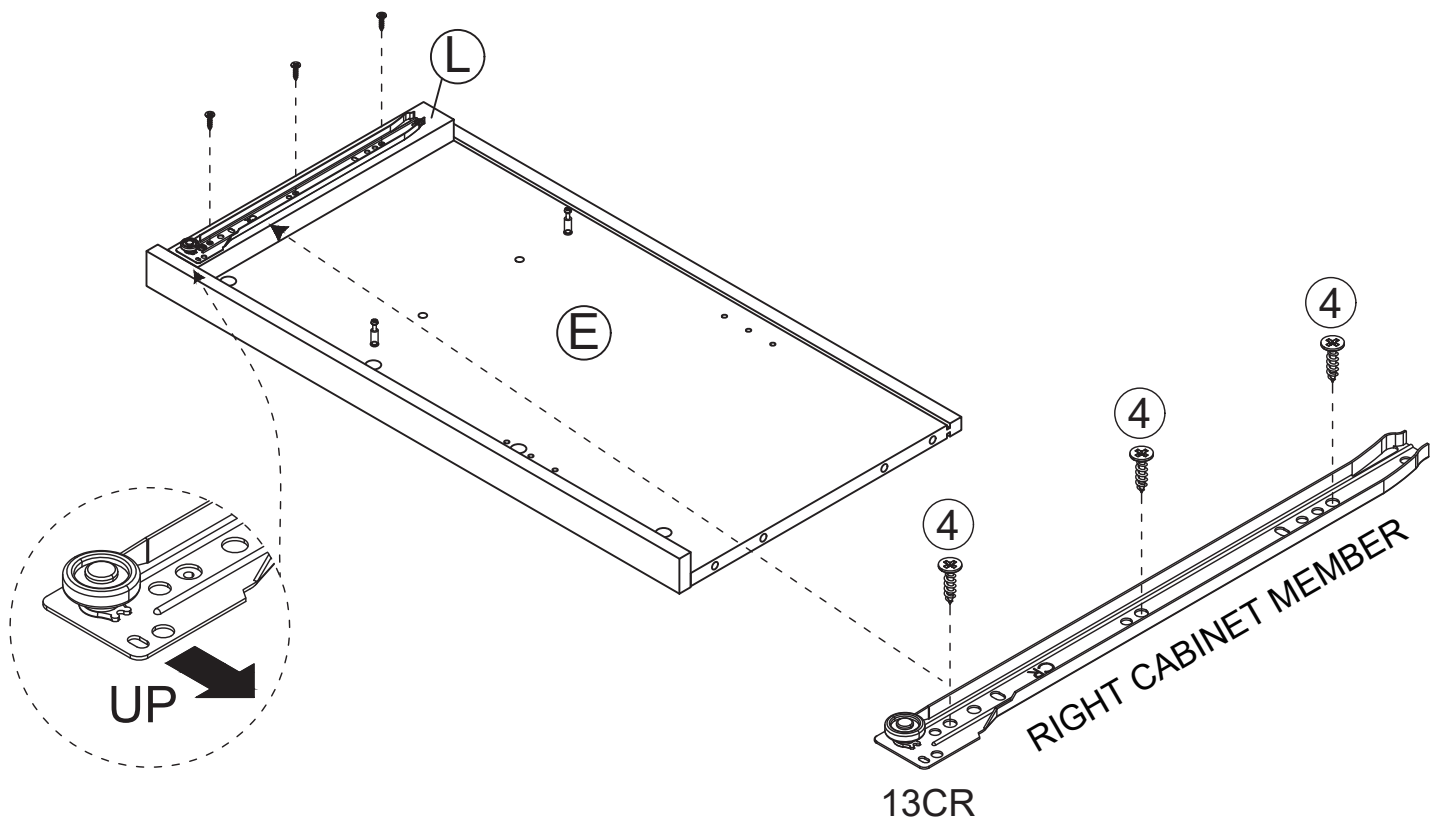
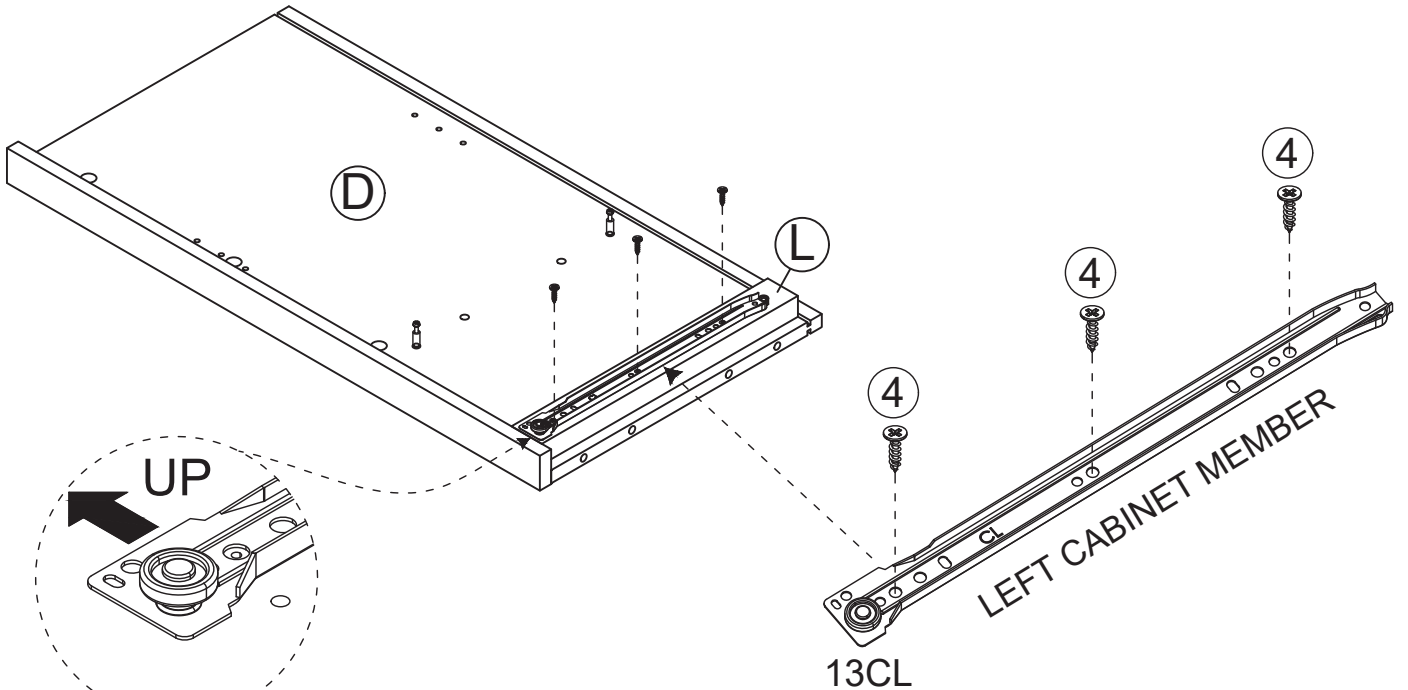
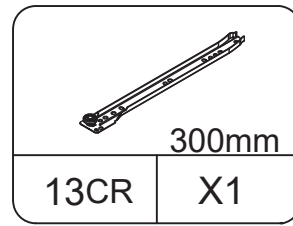
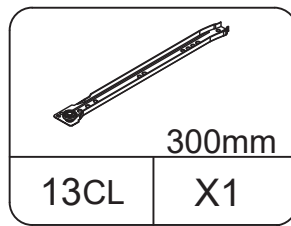
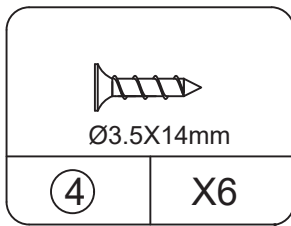
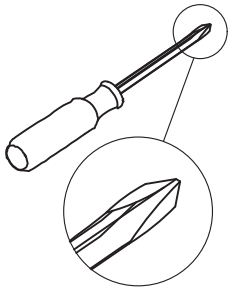
# STEP 3



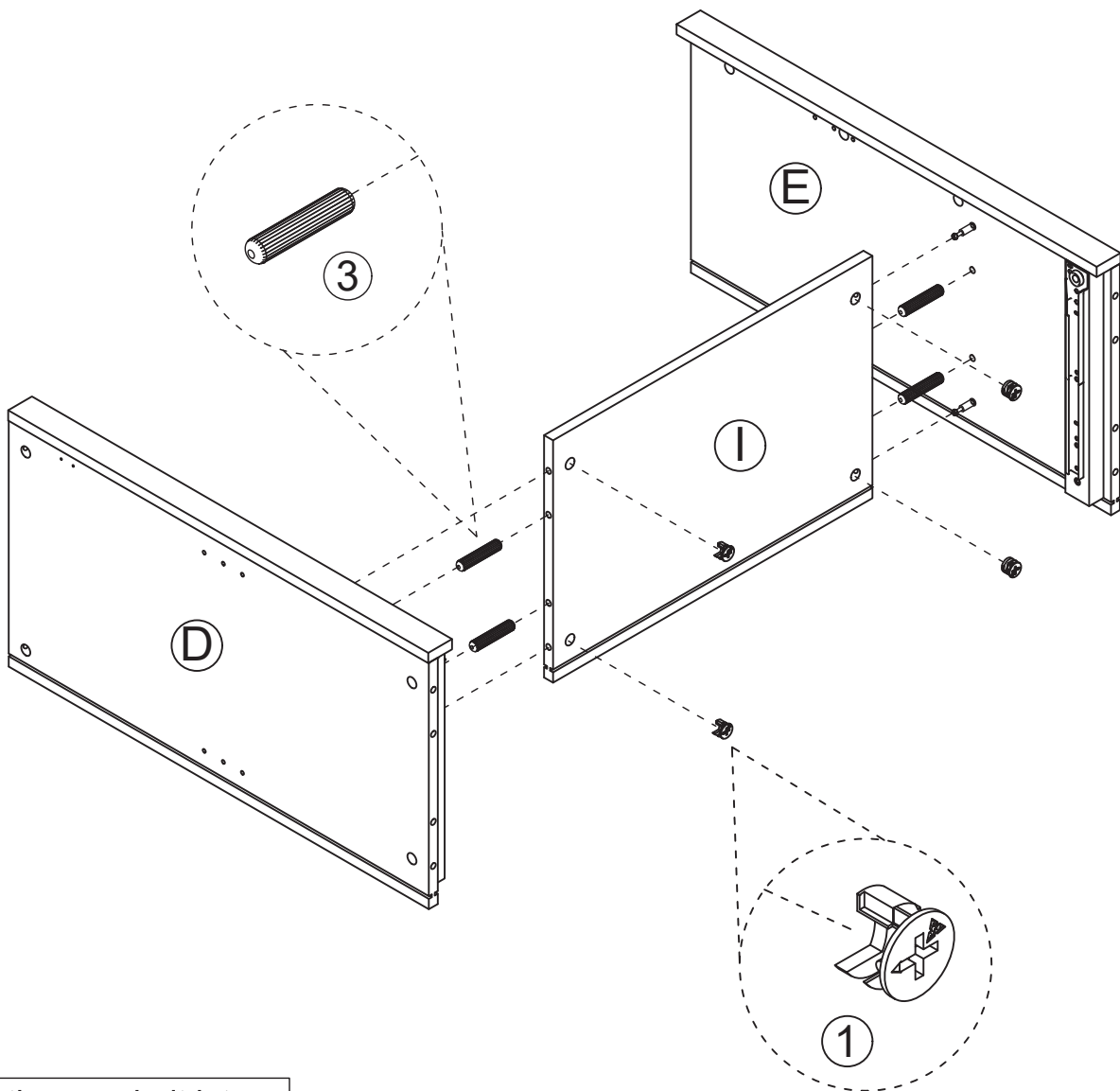
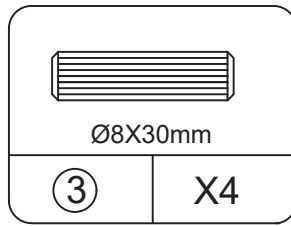
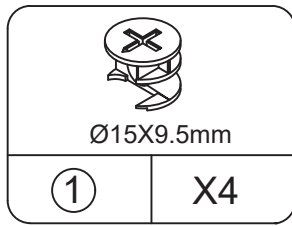
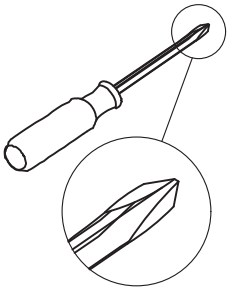
Pay attention to the hole spacing for L board installation



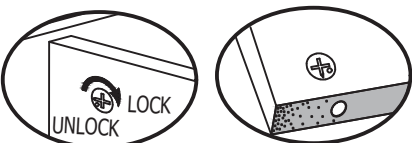
# STEP 4



# STEP5



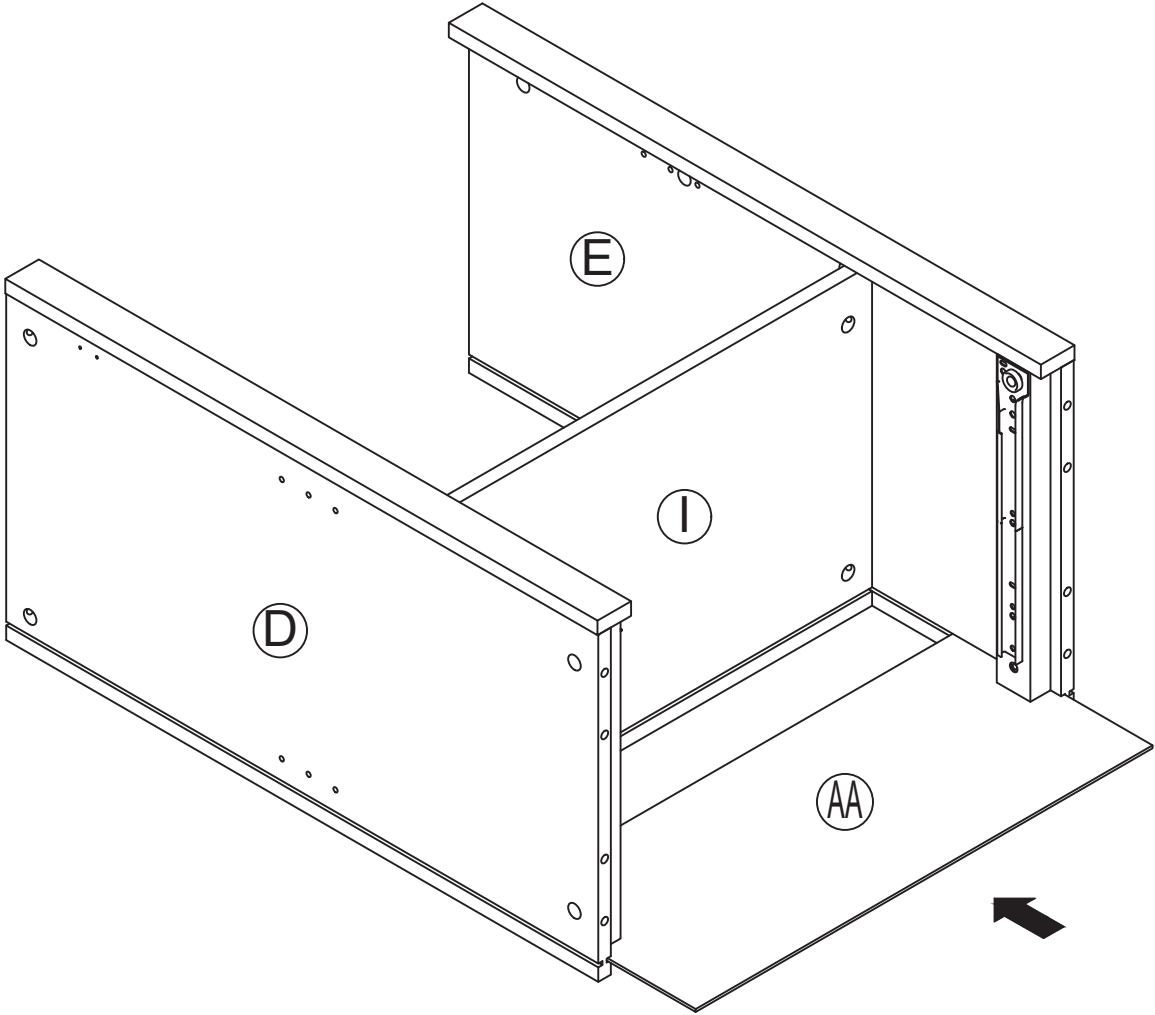
Insert the cam bolt into the hole first, then insert the cam lock and lock it.



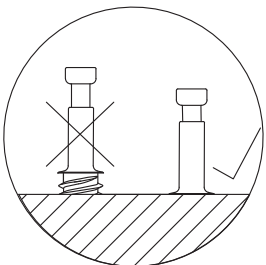
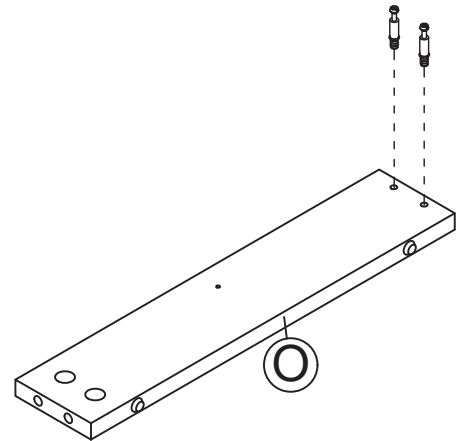
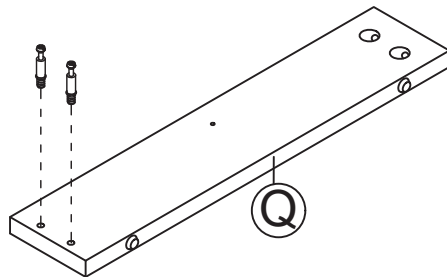
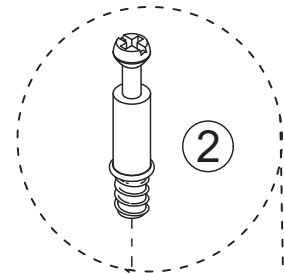
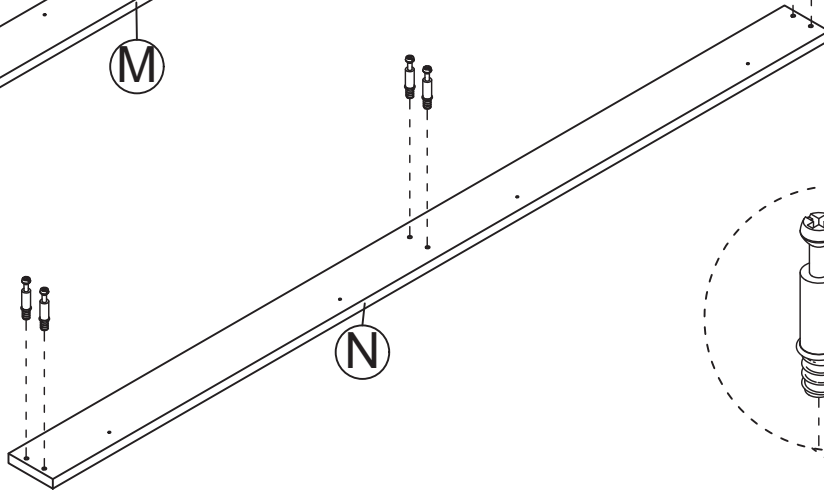
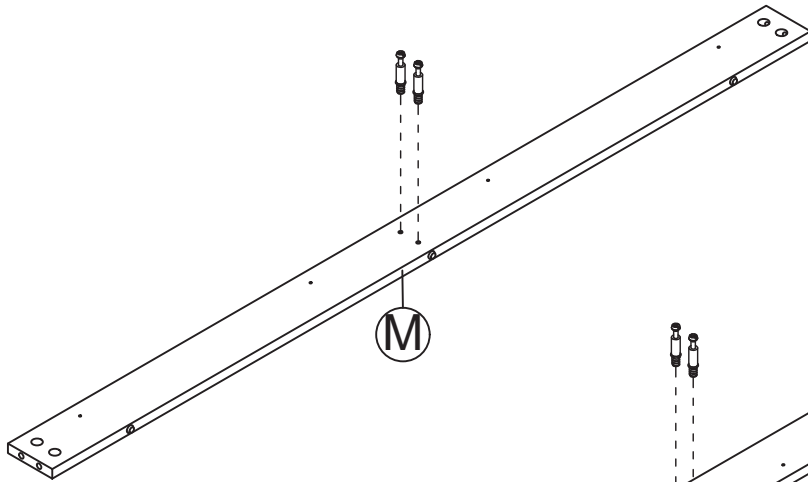
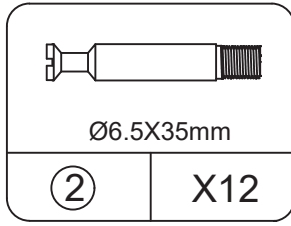
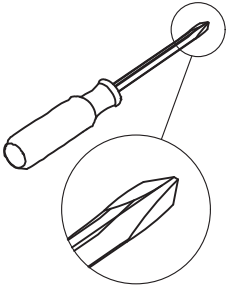
Proper orientation of CAM LOCK

# STEP 6

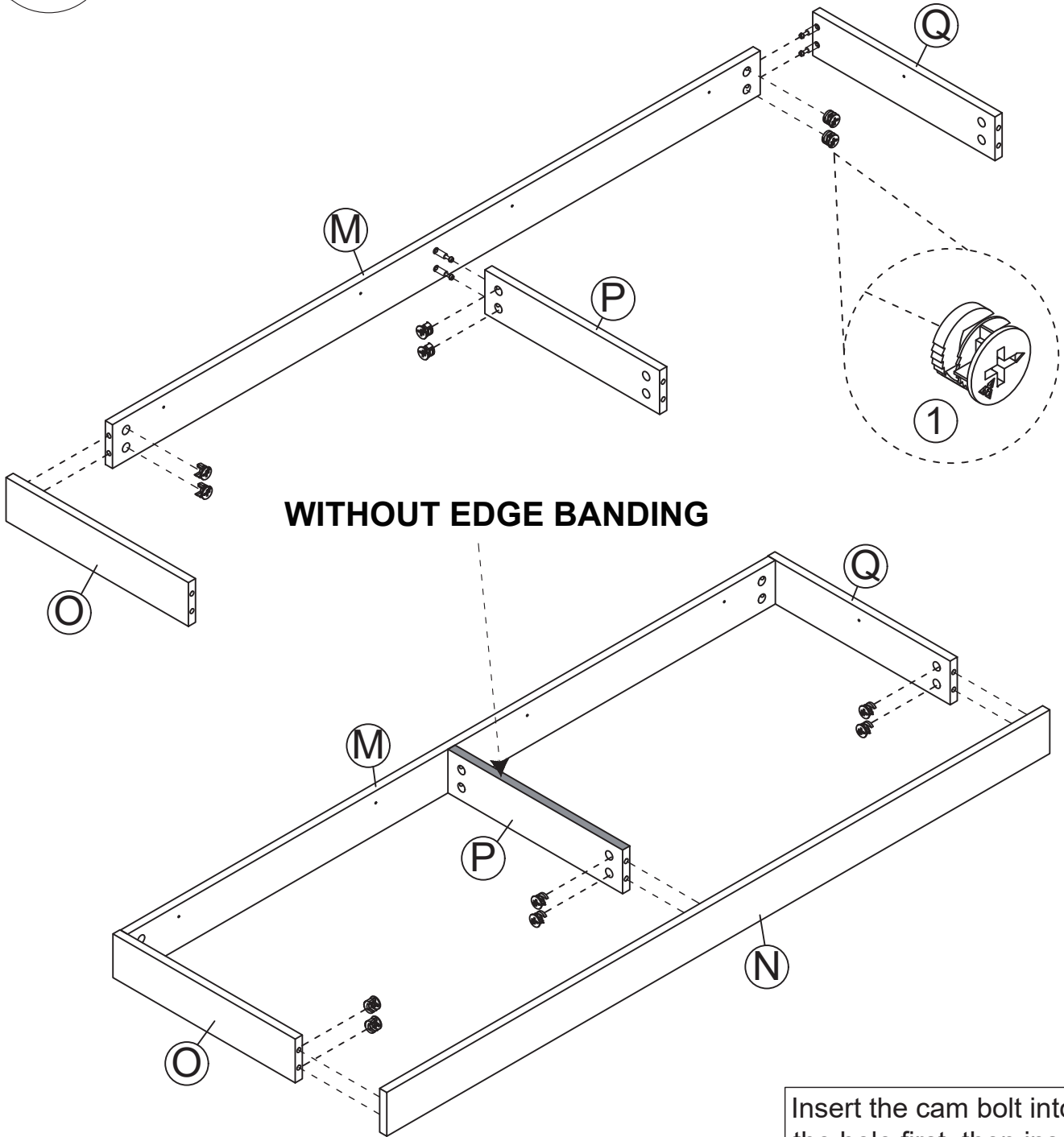
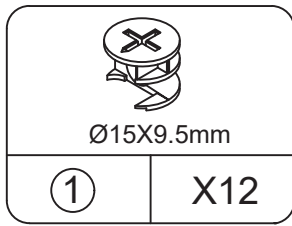
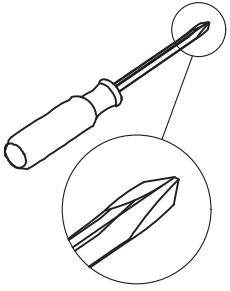
---



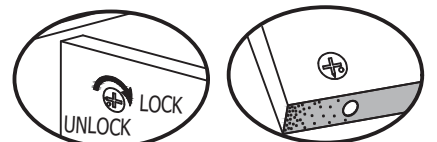
# STEP 7



# STEP 8

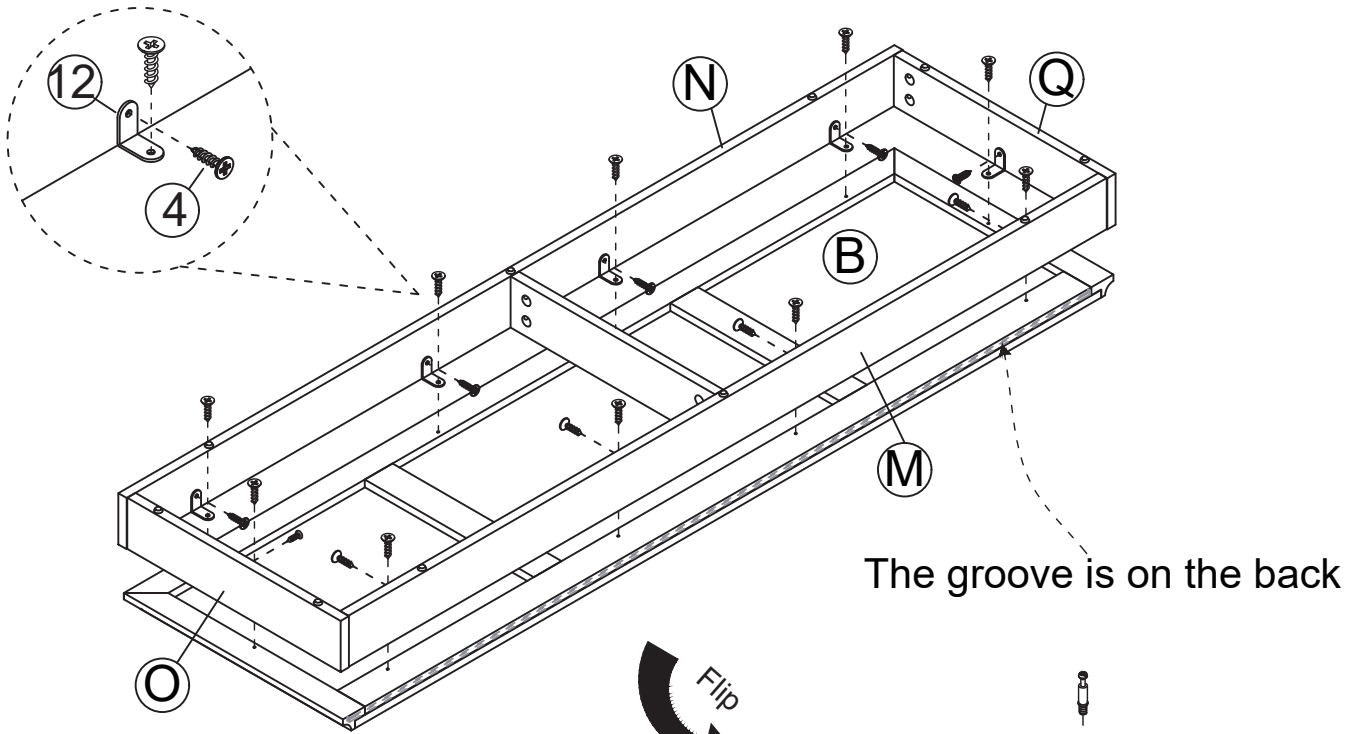
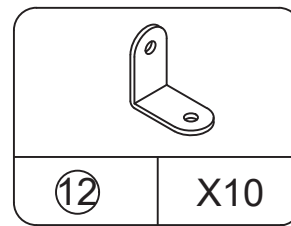
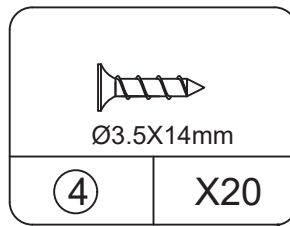
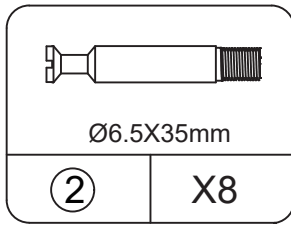
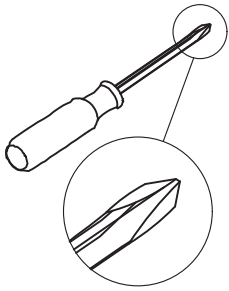


Insert the cam bolt into the hole first, then insert the cam lock and lock it.

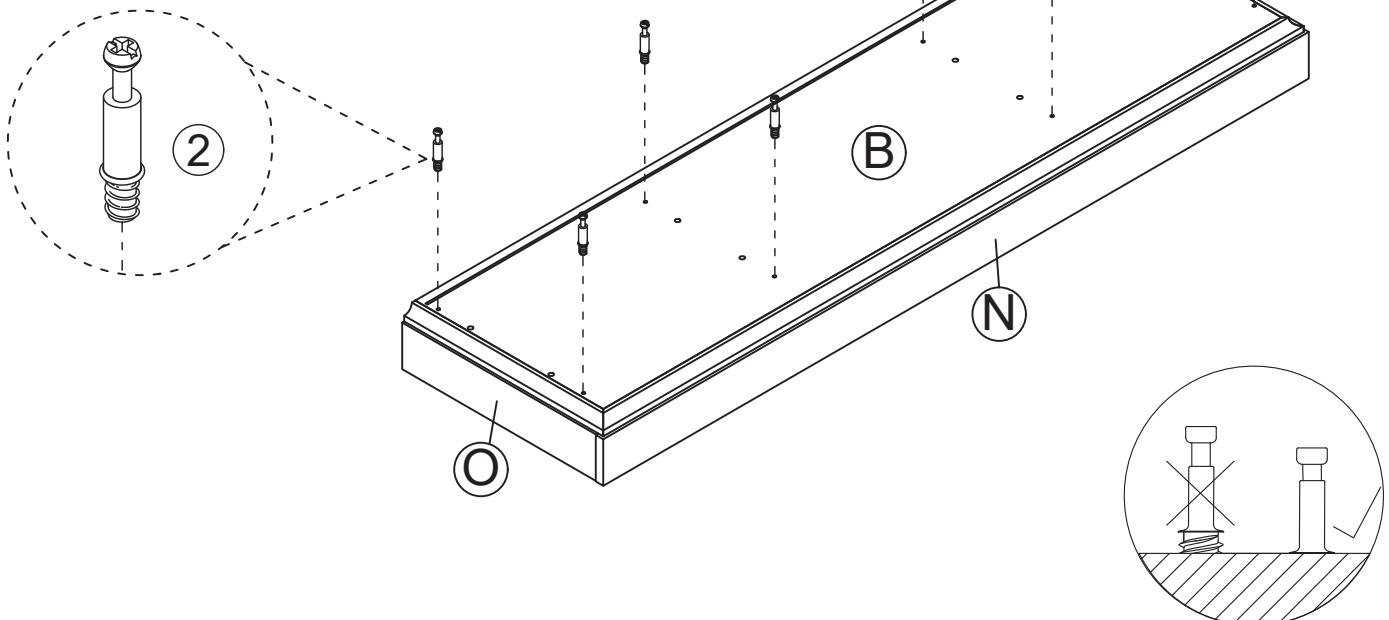


Proper orientation of CAM LOCK

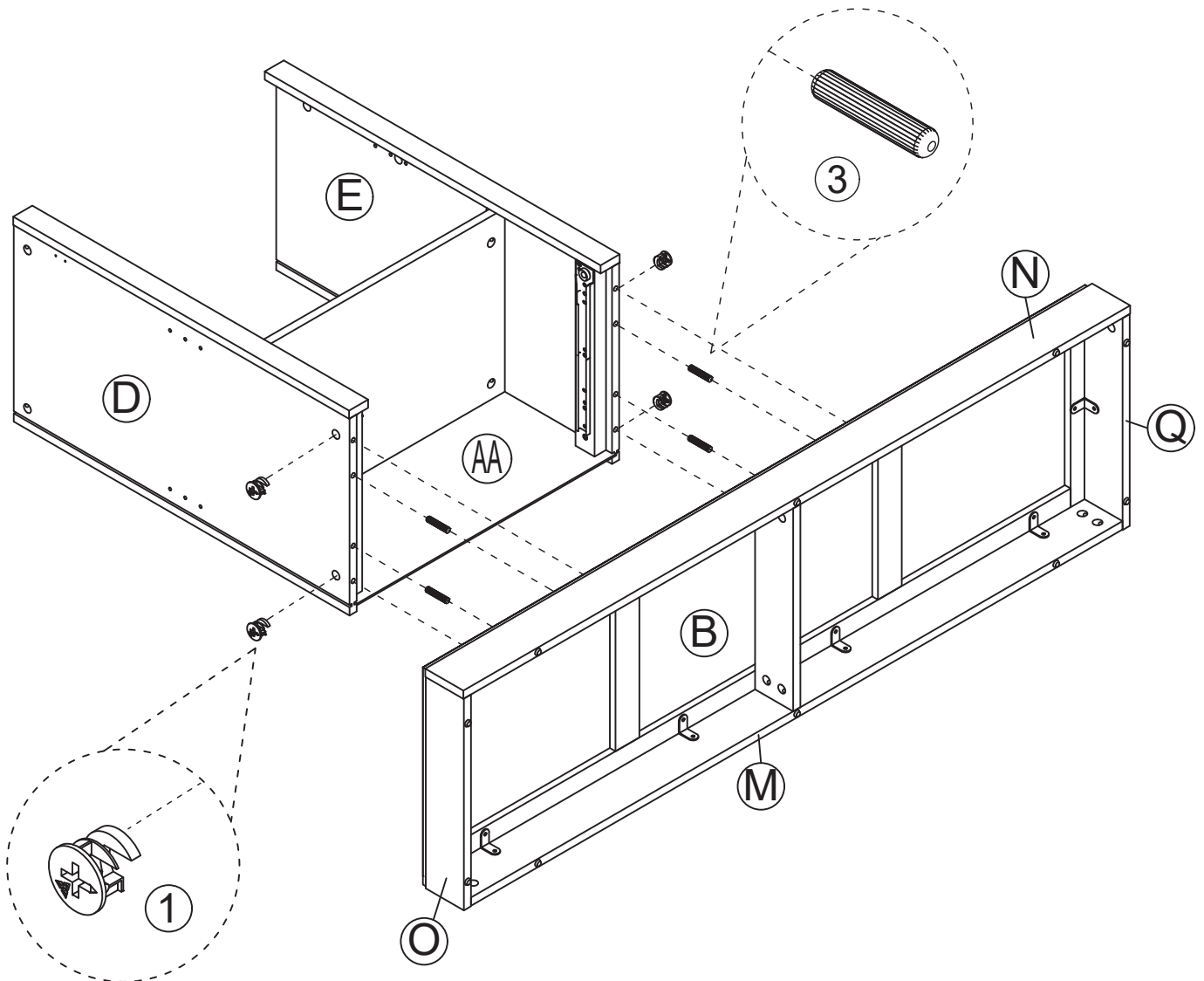
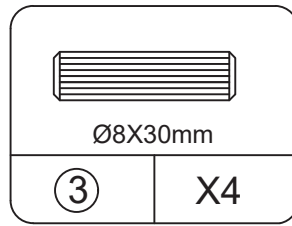
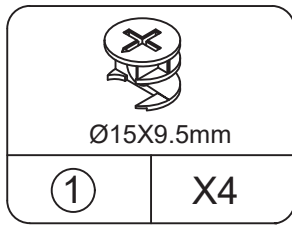
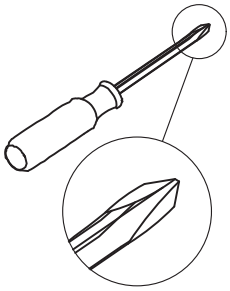
# STEP 9



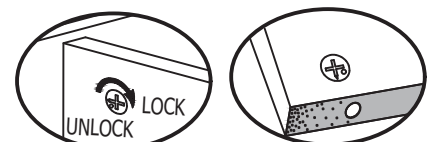
The groove is on the back



# STEP 10

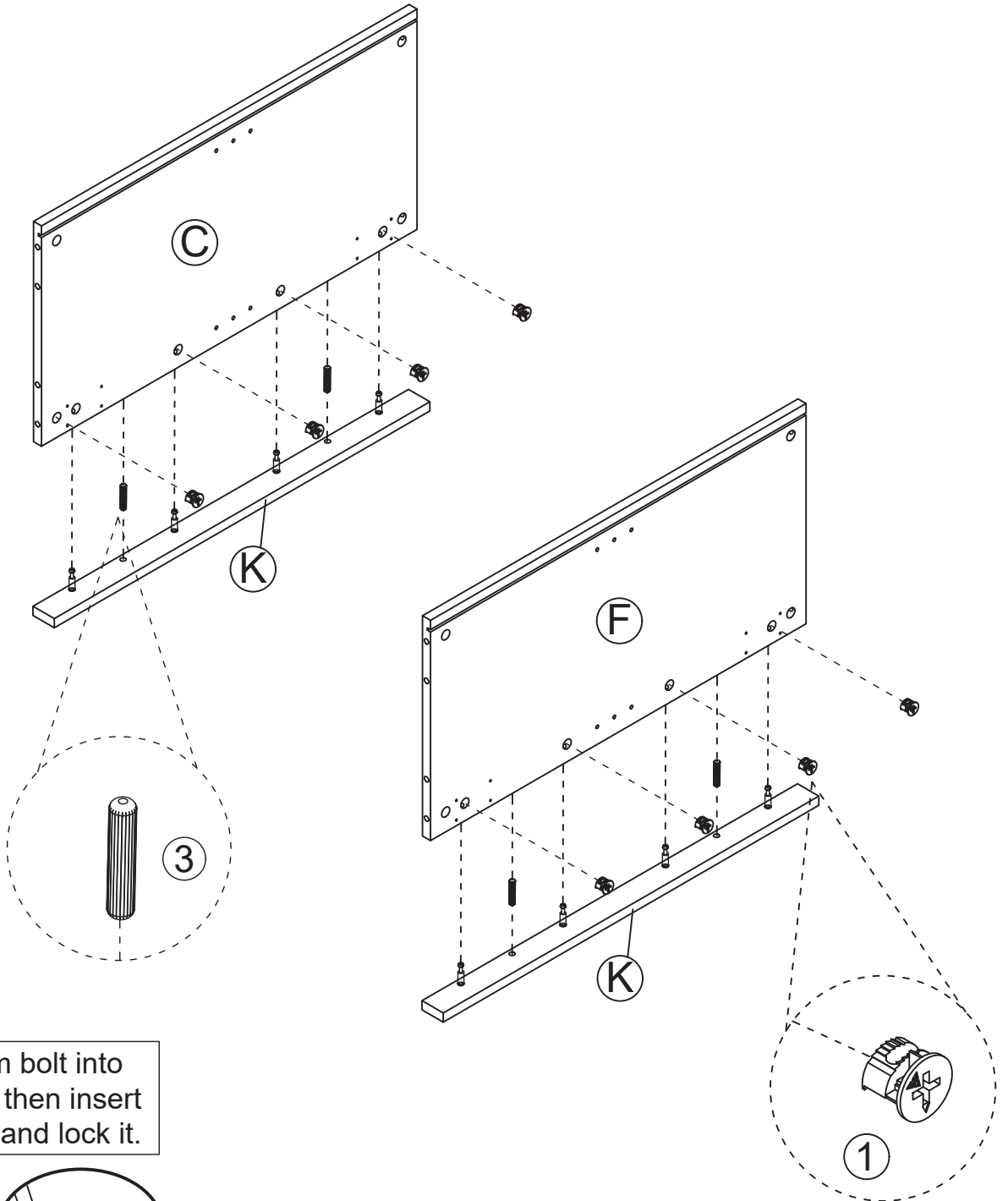
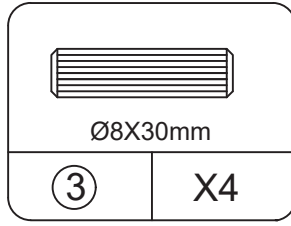
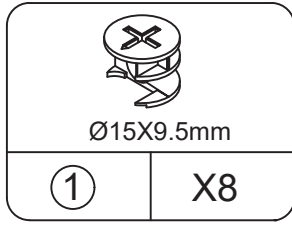
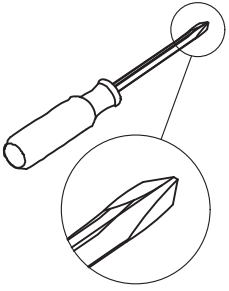


Insert the cam bolt into the hole first, then insert the cam lock and lock it.

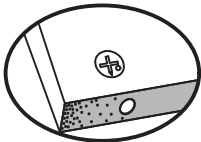


Proper orientation of CAM LOCK

# STEP 11

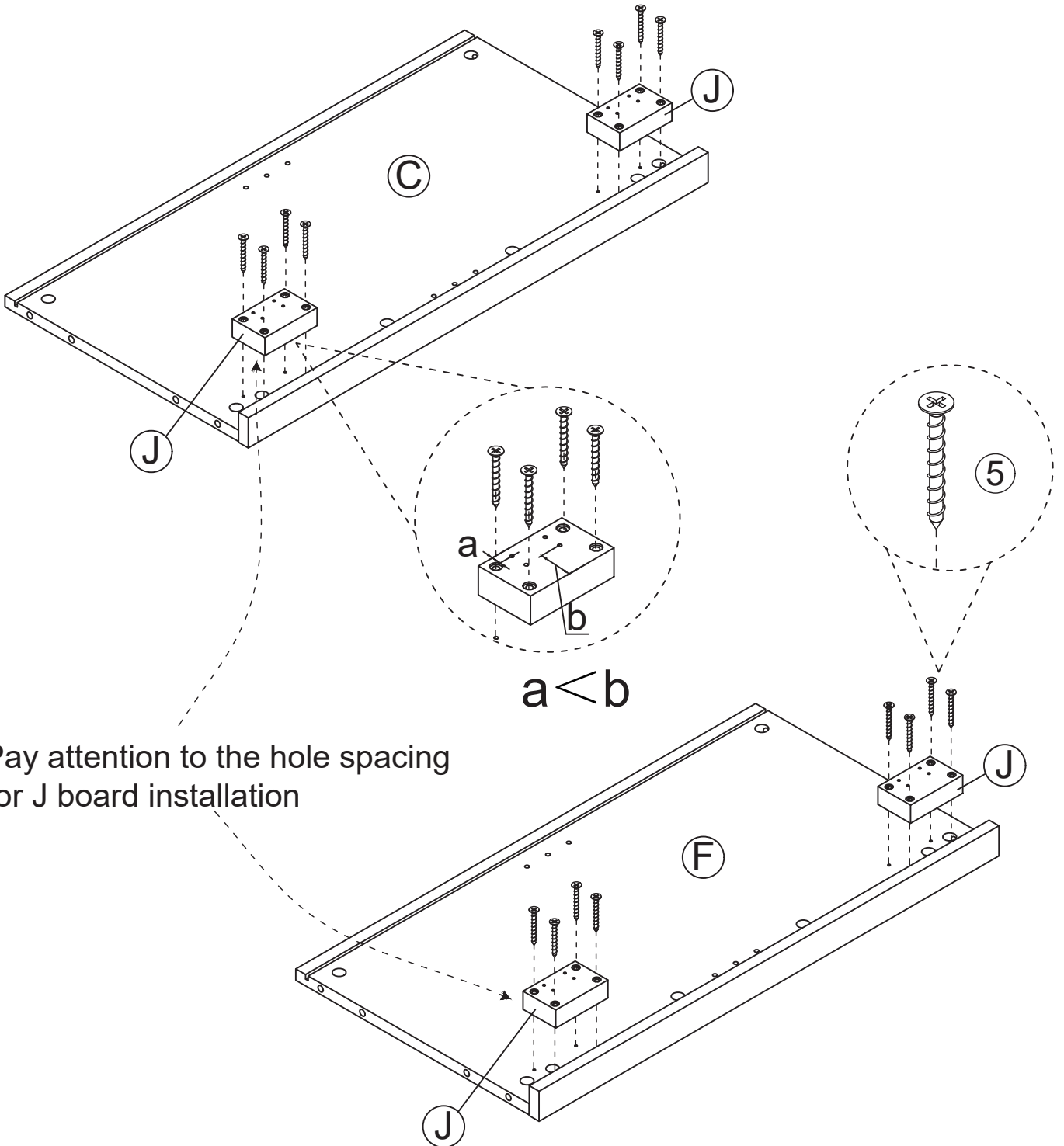
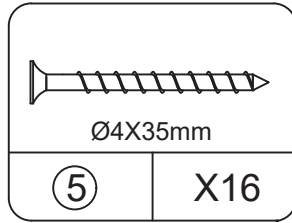
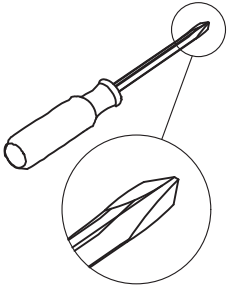


Insert the cam bolt into the hole first, then insert the cam lock and lock it.



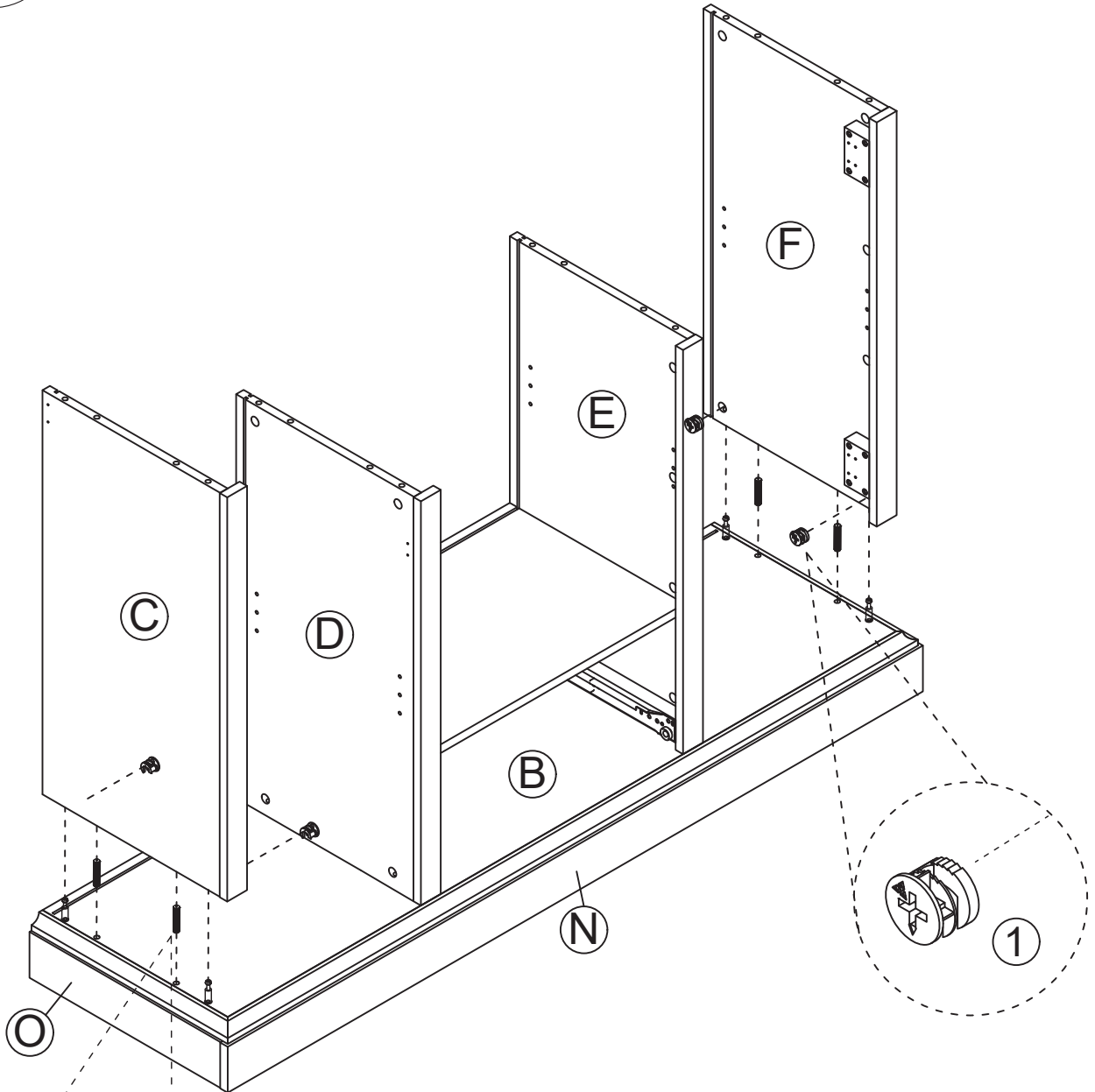
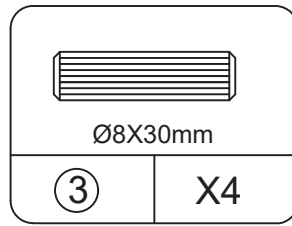
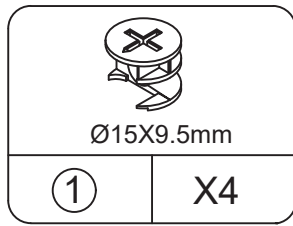
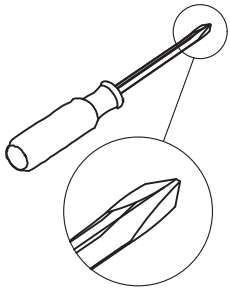
Proper orientation of CAM LOCK

# STEP 12

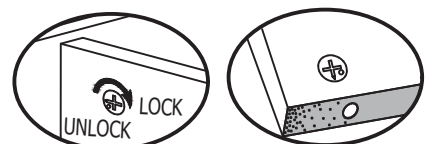


Pay attention to the hole spacing for J board installation

# STEP13

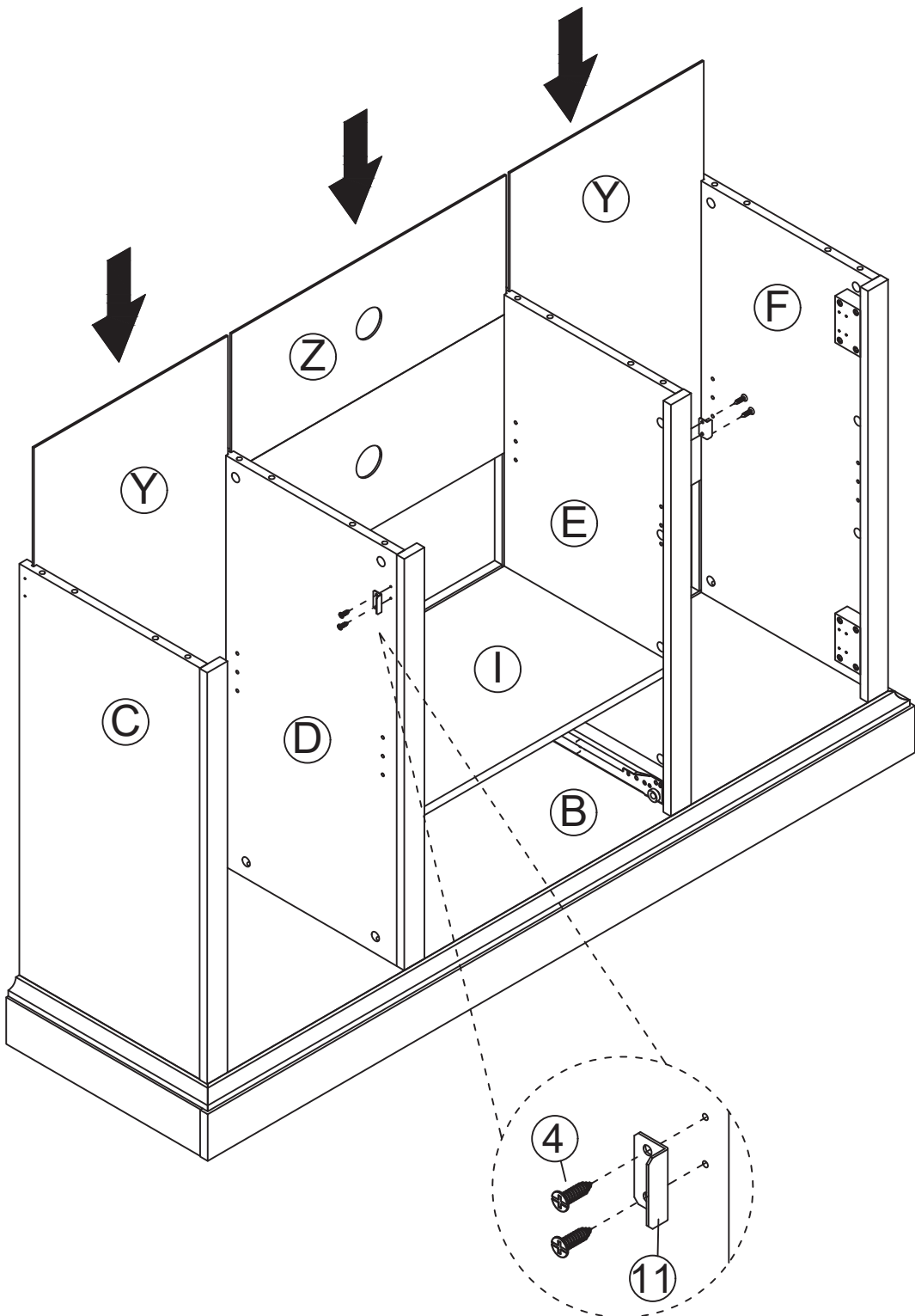
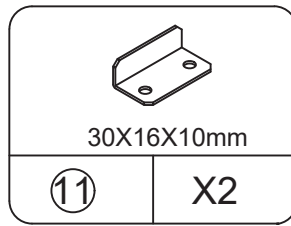
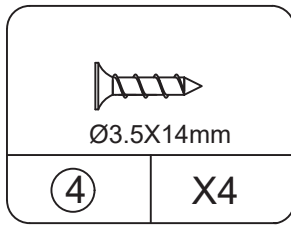
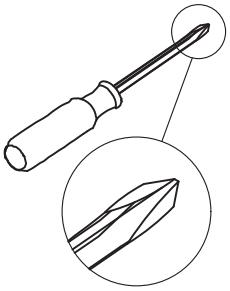


Insert the cam bolt into the hole first, then insert the cam lock and lock it.

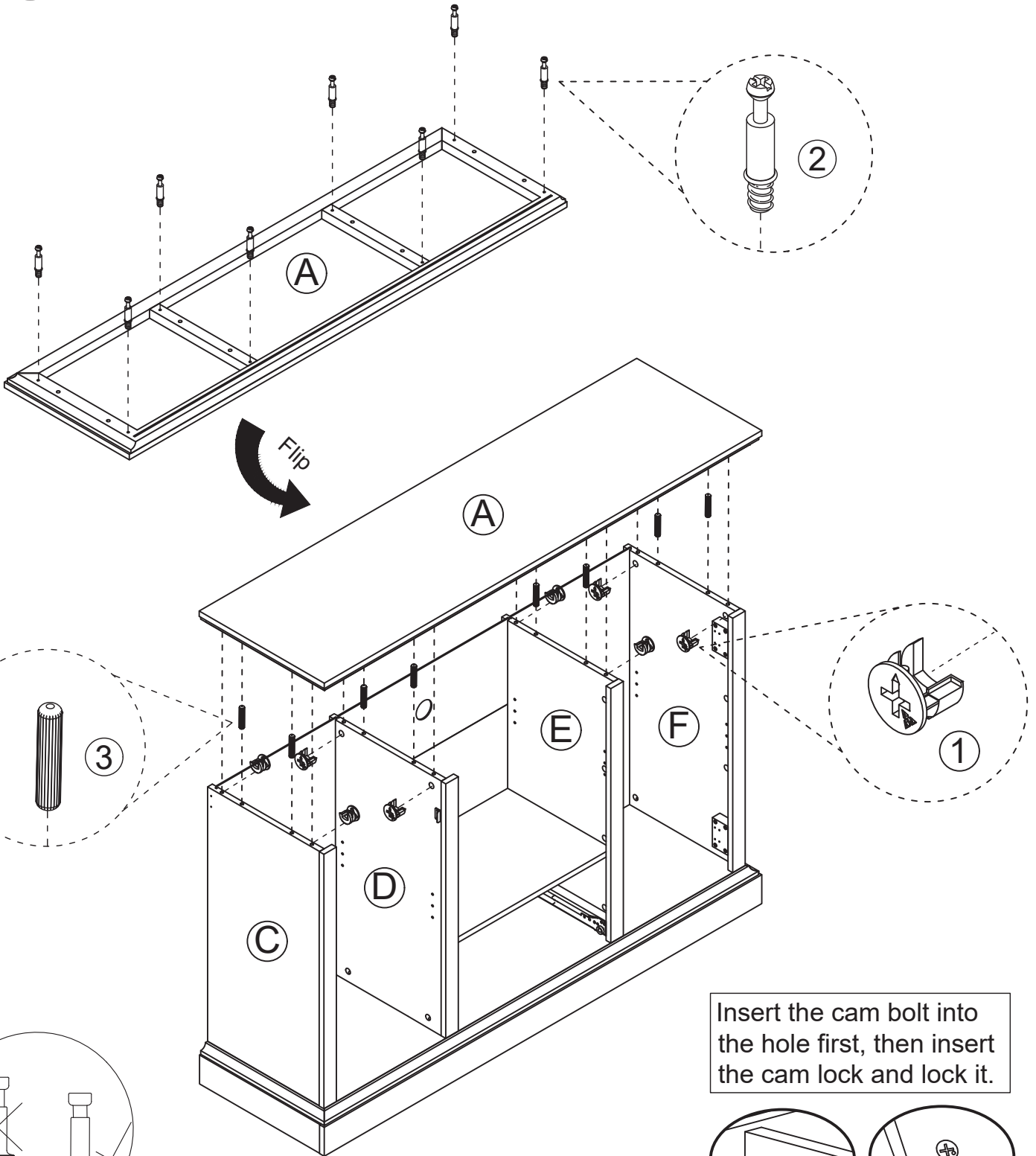
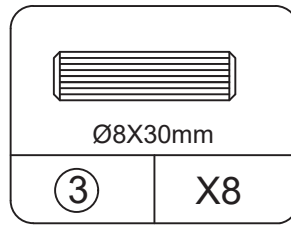
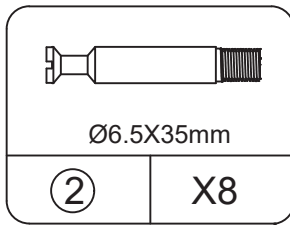
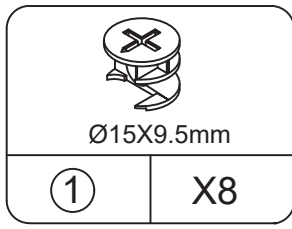
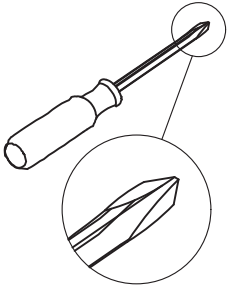


Proper orientation of CAM LOCK

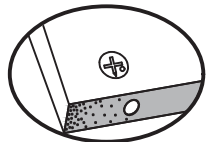
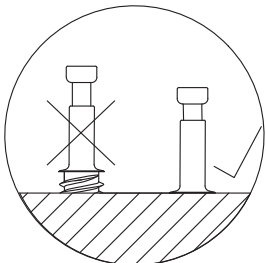
# STEP14



# STEP 15

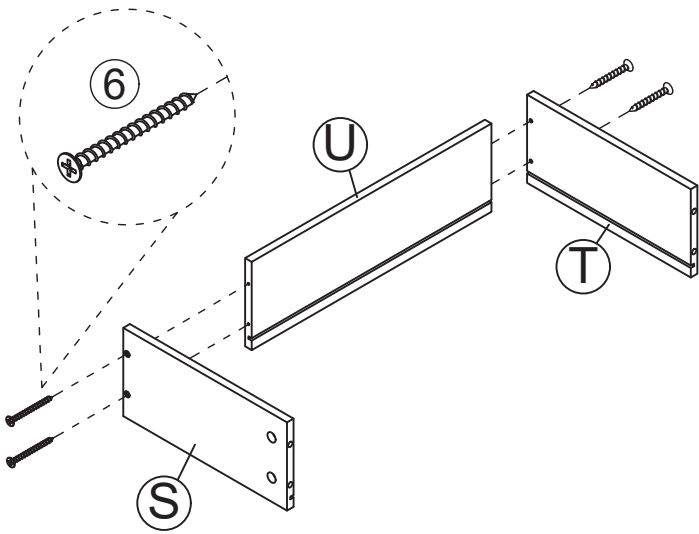
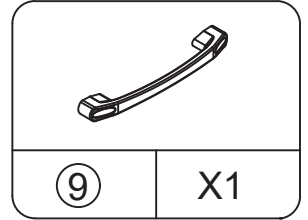
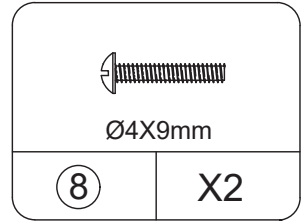
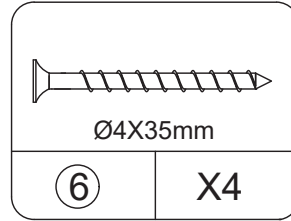
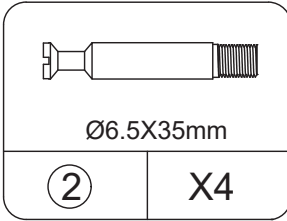
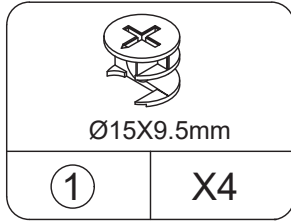
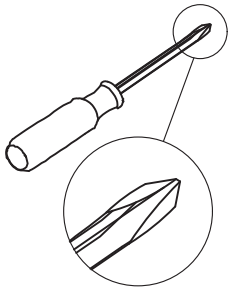


Insert the cam bolt into the hole first, then insert the cam lock and lock it.

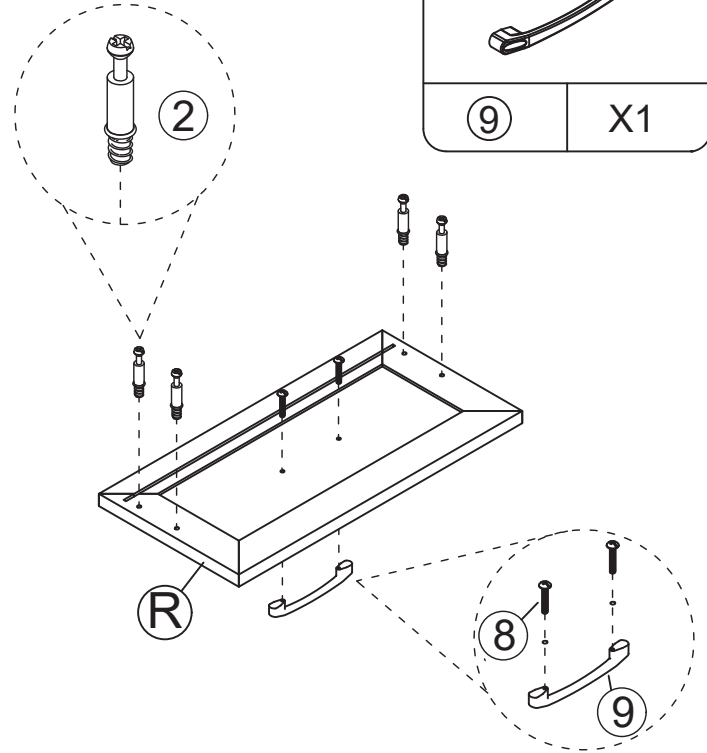


Proper orientation of CAM LOCK

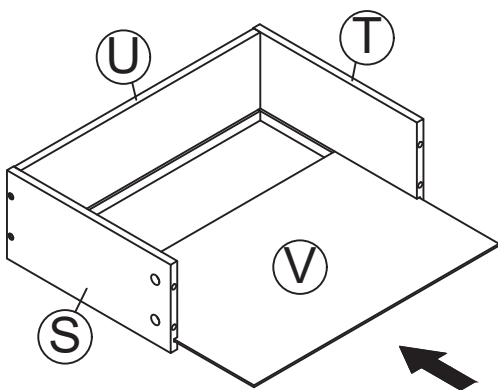
# STEP 16



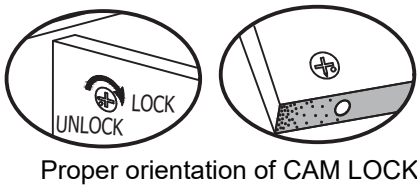
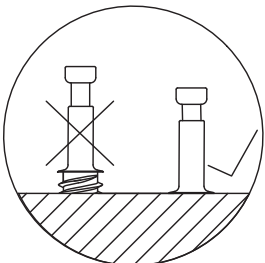
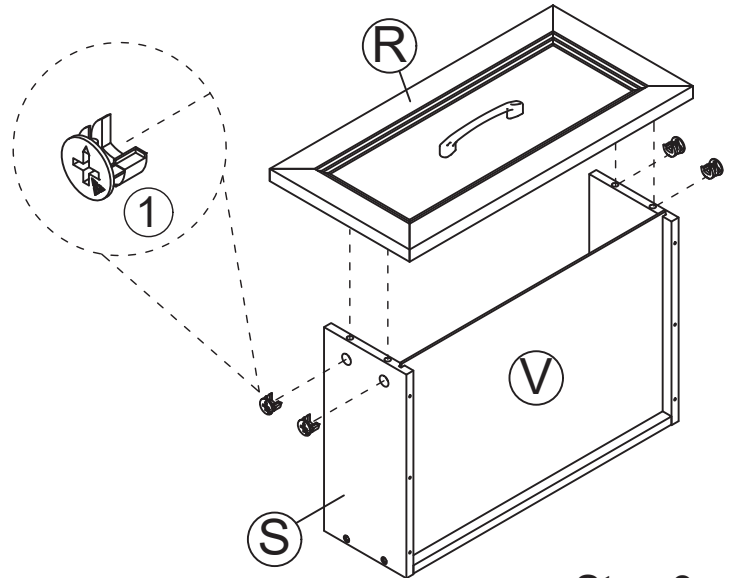
Step 1



Step 3



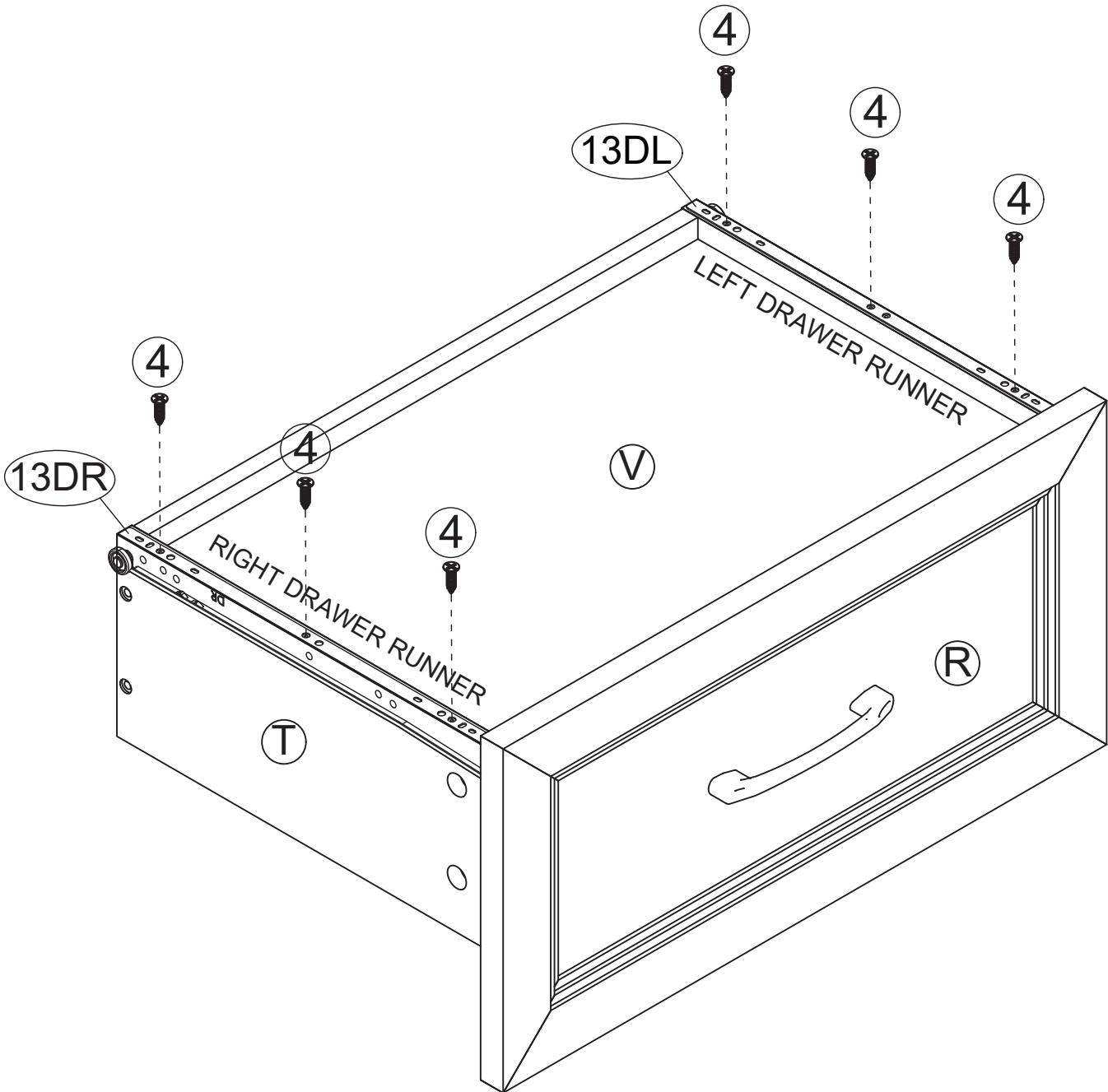
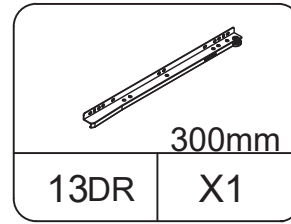
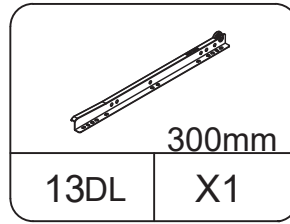
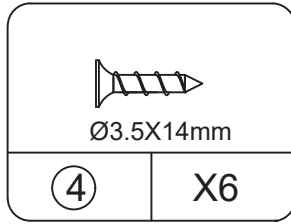
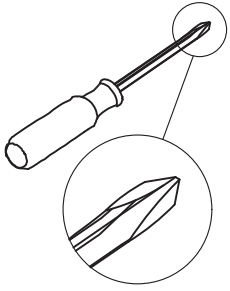
Step 2



Proper orientation of CAM LOCK

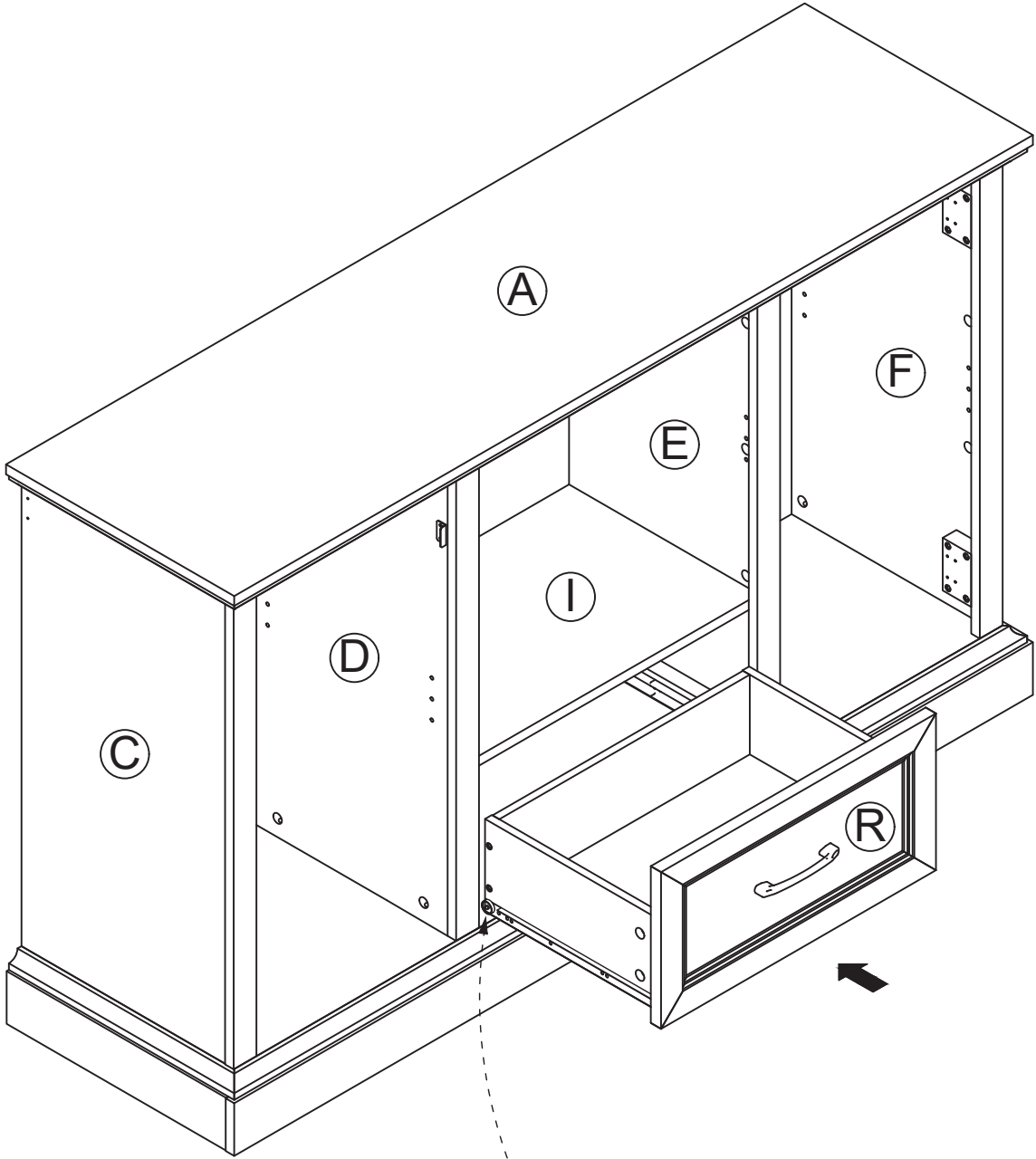
Insert the cam bolt into the hole first, then insert the cam lock and lock it.

# STEP17

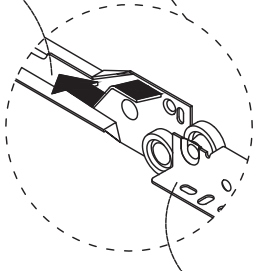


# STEP 18

---

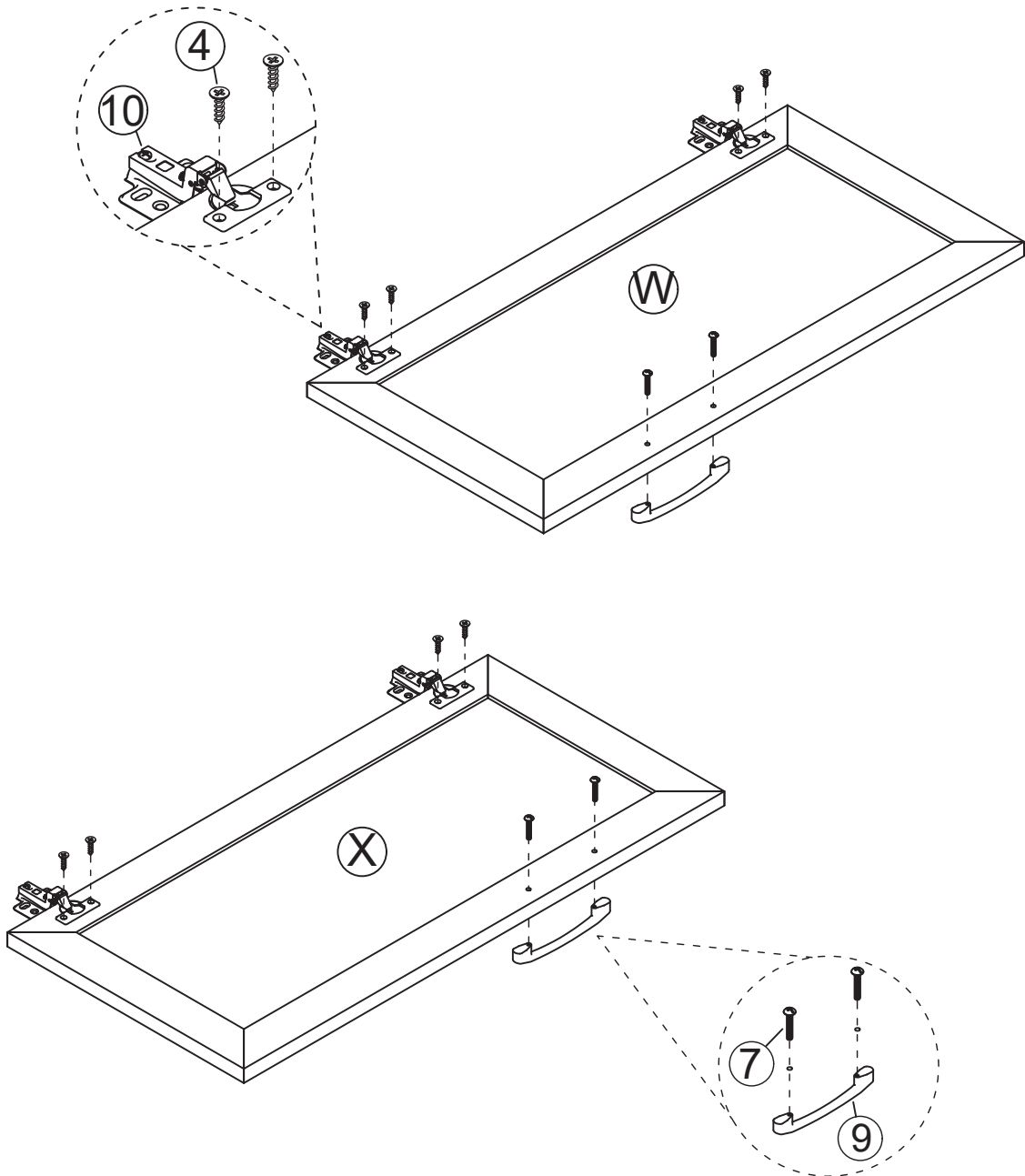
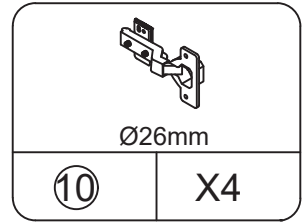
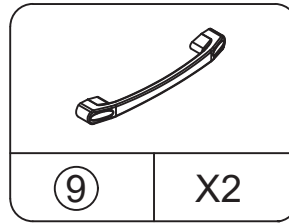
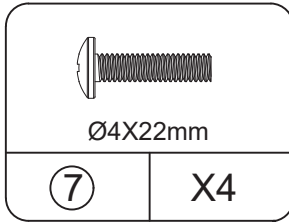
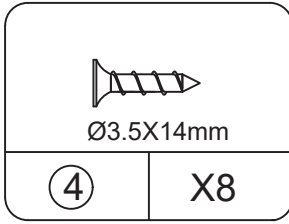
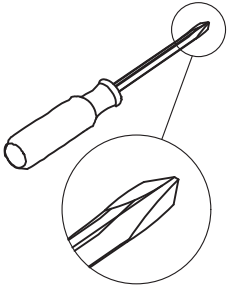


Cabinet Slide

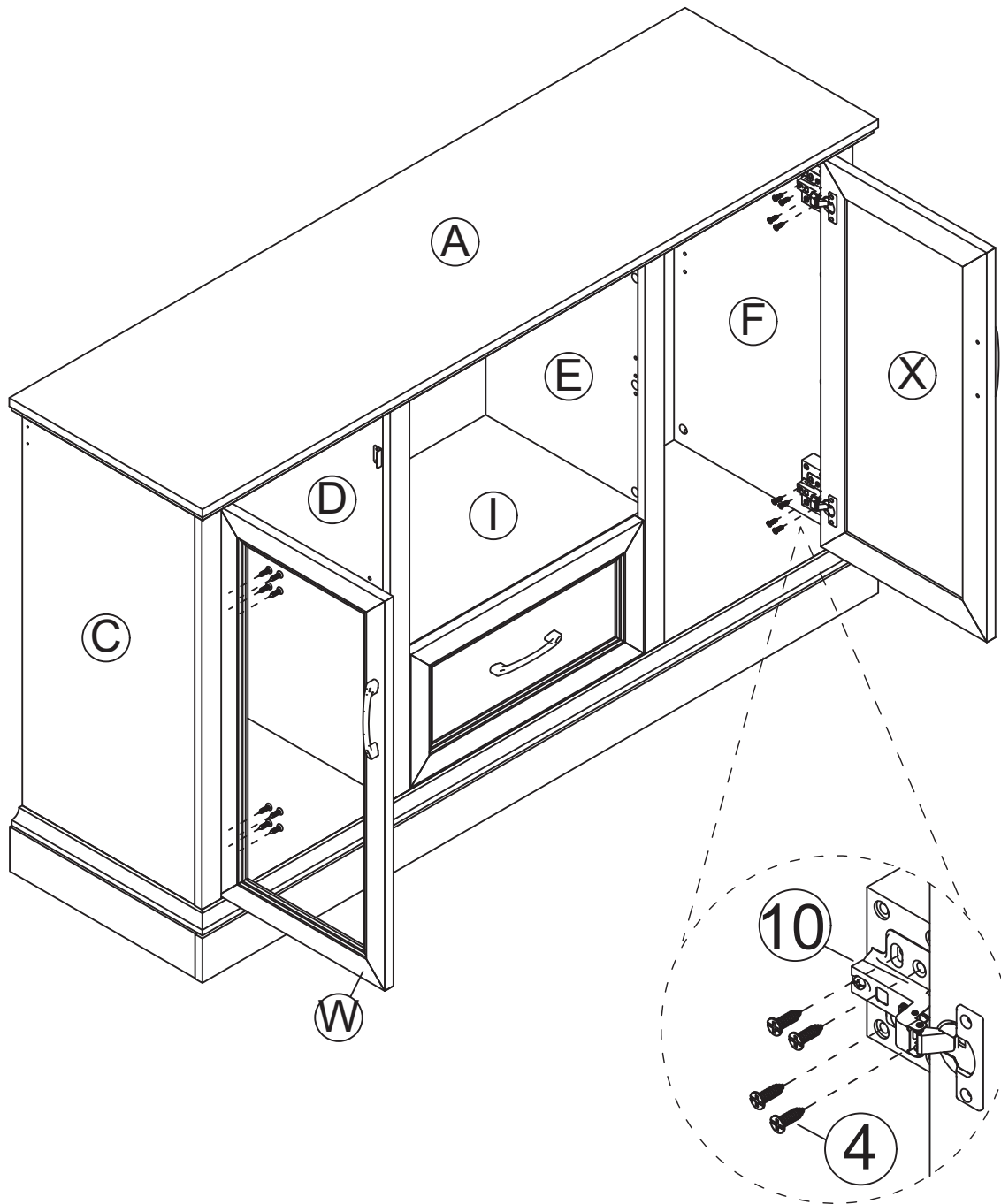
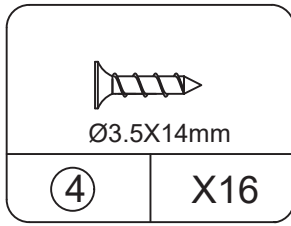
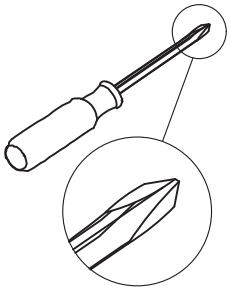


Drawer Slide

# STEP19

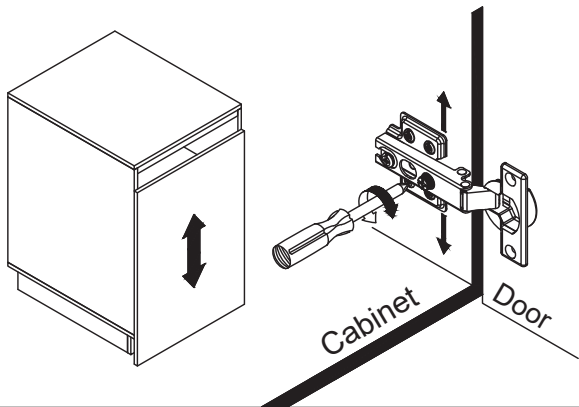
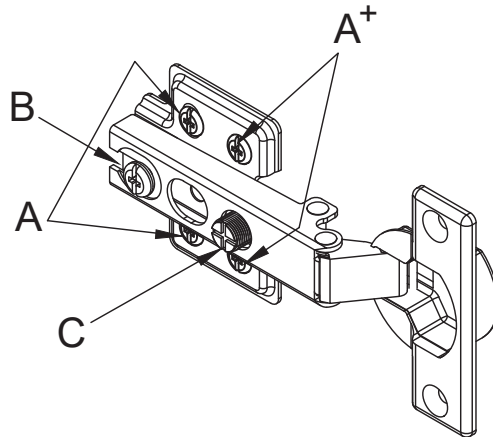


# STEP 20



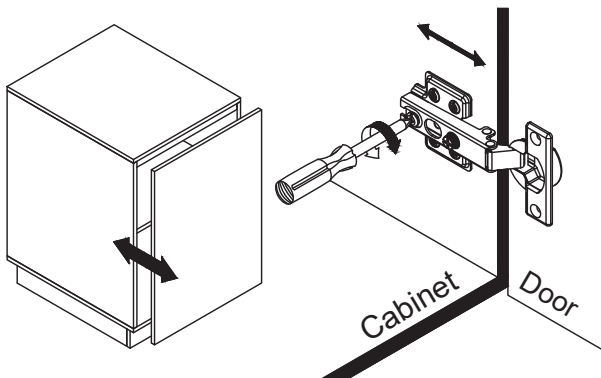
# STEP21

---



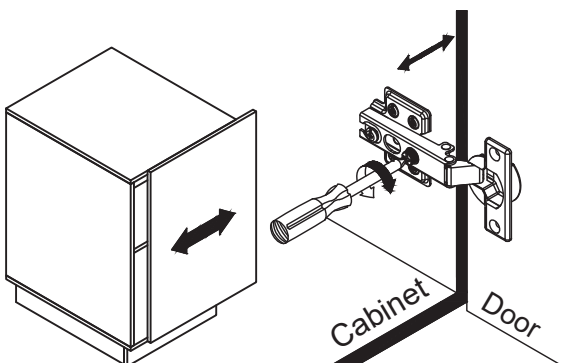
## [ How to adjust vertical height of the door ]

- First remove the 2 screws "A+" on the hing .
- Then loosen the 2 screws "A" on the hinge so that it can be adjusted up or down a few millimeters.
- Then tighten "A" and reinstall "A+".



## [ How to adjust depth of the door ]

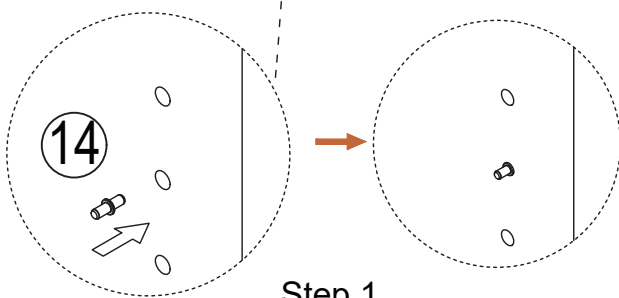
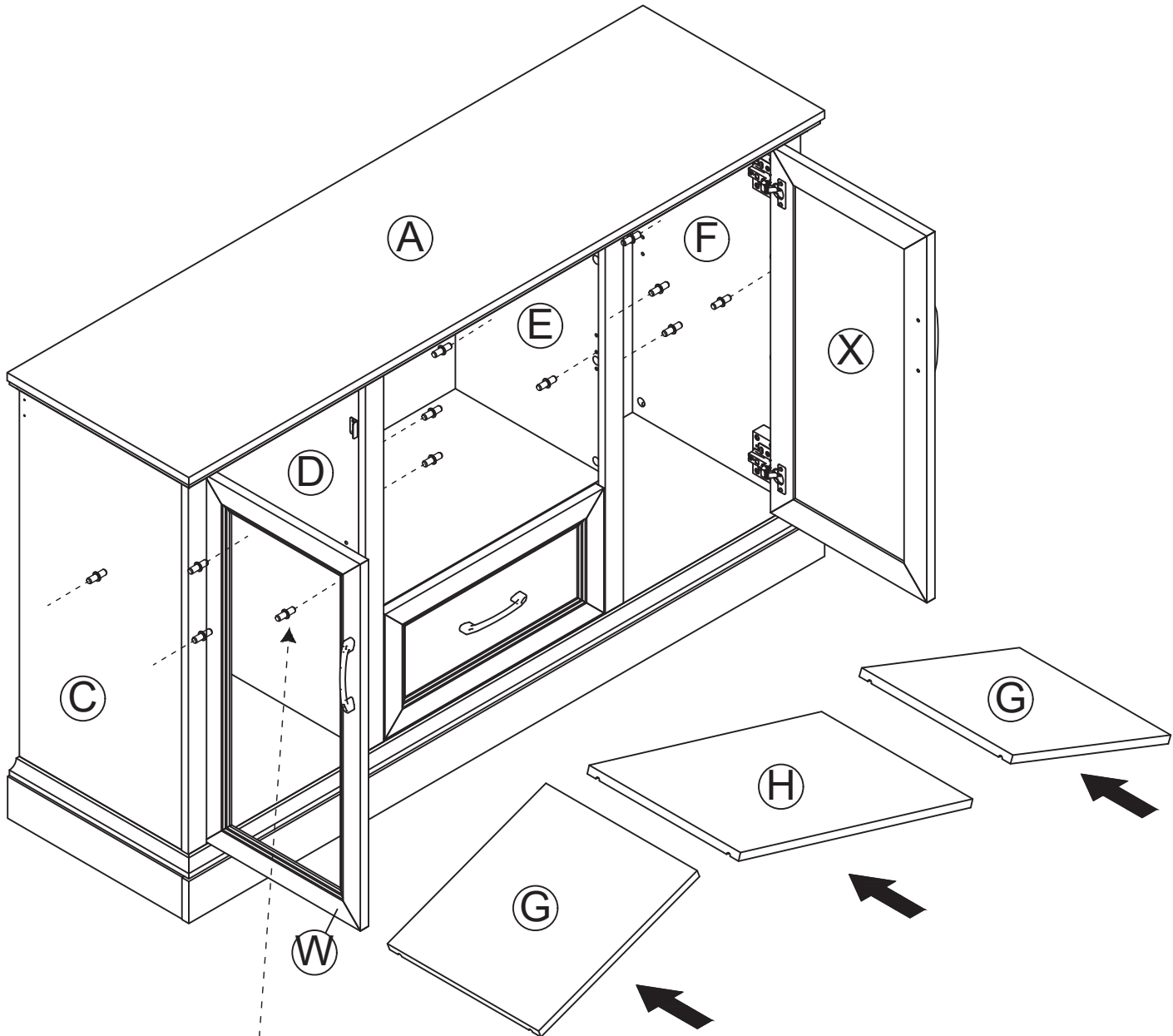
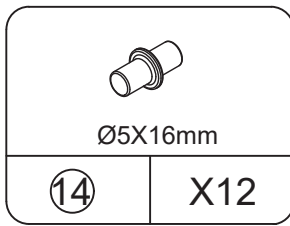
- Loosen screw "B" and adjust the depth of th door.
- If screw "B" is loose, the depth of the door stil cannot be adjusted. Simply loosen the screw "C" slightly to adjust the position of the door forward and backward.
- After adjusting the position, tighten screw "B" last.



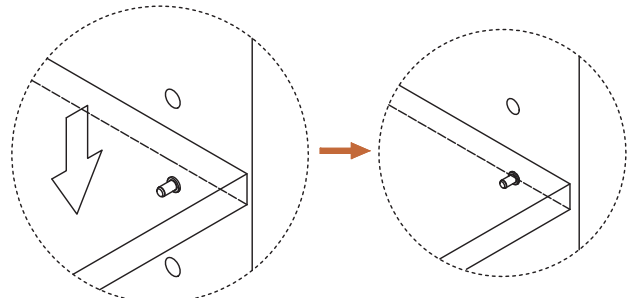
## [ How to adjust the level of the door ]

- Turn screw "C" on hinge to adjust the level of the door.

# STEP22

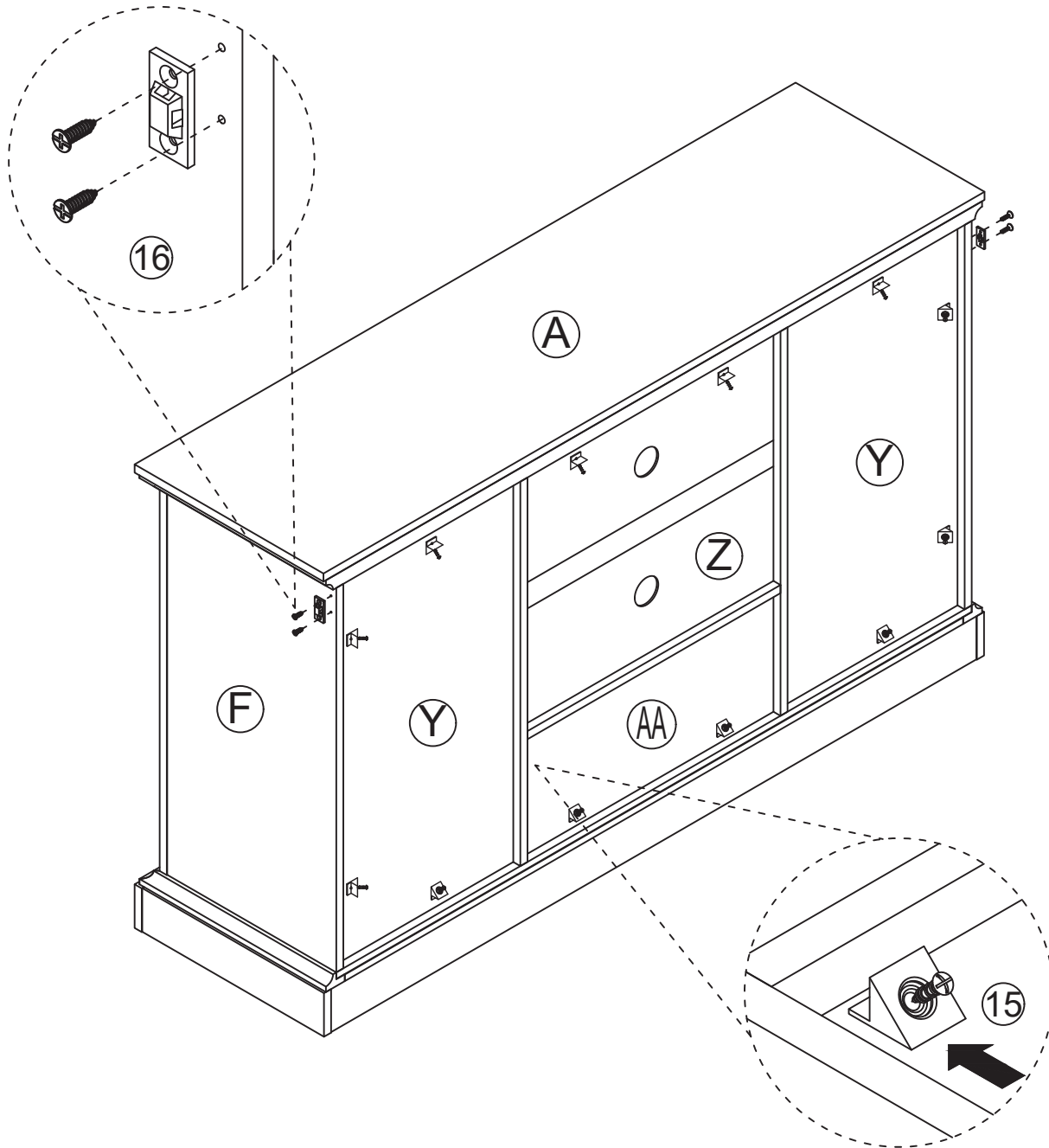
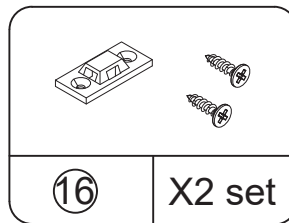
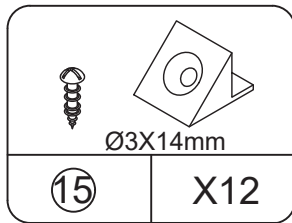
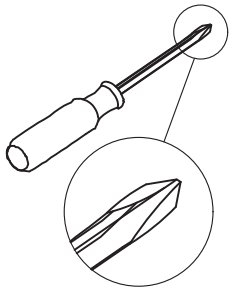


**Step 1**  
Select the desired height  
and put it in



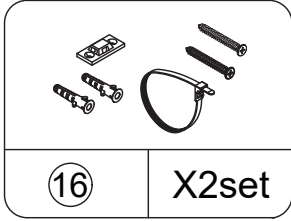
**Step 2**  
Aim the board gaps down

# STEP 23



Insert the plastic buckle into the back plate slot, screw through the hole in the plastic buckle and lock it in place.

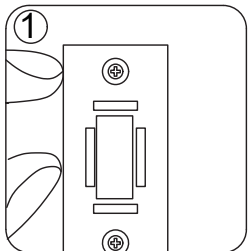
# STEP 24



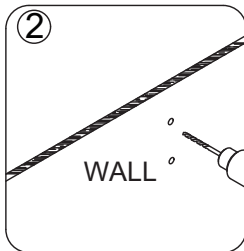
**NOTE:** The tipping restraint hardware included is for wooden stud wall construction. It must be attached to a wall stud. Depending upon your wall construction different anchor hardware maybe required. Please contact your local hardware store for assistance. Young children can be seriously injured by tipping furniture. You must install the tipping restraint hardware with the unit to prevent the unit from tipping, causing any accidents or damage. The tipping restraints are intended only as a deterrent and are not a substitute for proper adult supervision. The tipping restraints are not earthquake restraints. If you wish to add the extra security of earthquake restraints, they must be purchased and installed separately.



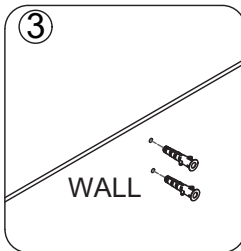
## Install the tipping restraint hardware



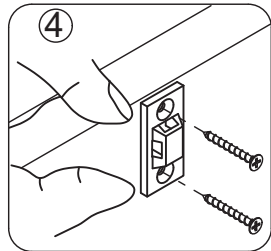
1. make mark on the wall



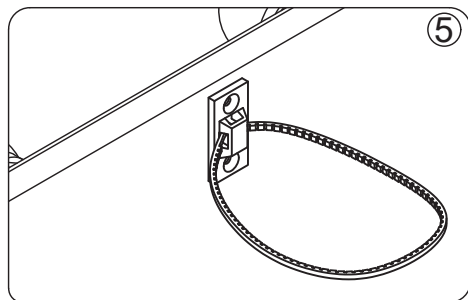
2. drill two Ø6 holes on the wall



3. put two anchors in the holes



4. fix the device on the wall by the long screws



5. Push the cabinet close to the wall so that the two bases are close to each other, and then put on nylon tie to tighten it.

