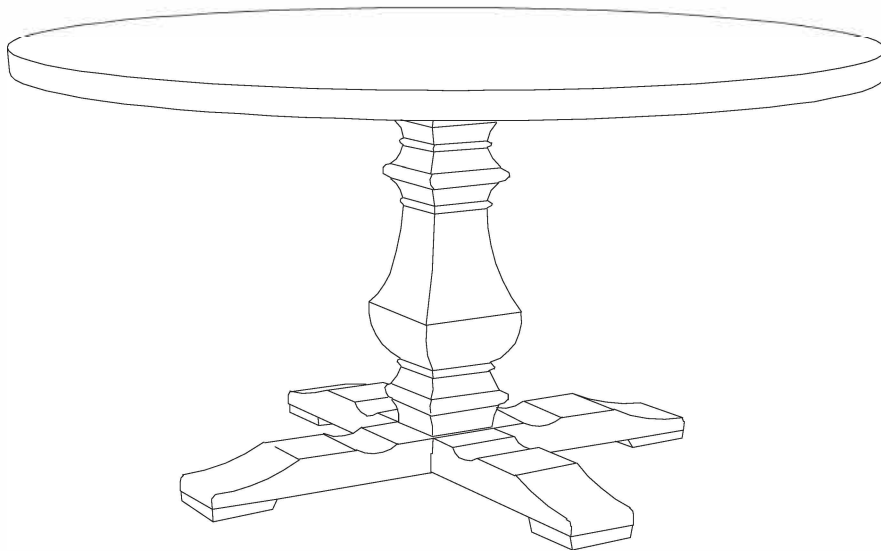


# Installation & Assembly

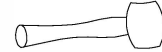
## TOOLS REQUIRED



Screwdriver  
(Not Included)



Allen Wrench  
(Included)



Mallet  
(Not Included)



This item requires  
two adult to assemble it

Enjoy this product? We'd love your 5-star review!  
If you have any issues, our support team is happy to help.



## CHECK BEFORE STARTING

Are you missing anything?

Please double check all hardware and parts match the assembly guide before putting the product together. If damaged, we suggest you put the item back in the box and start your claim or return.

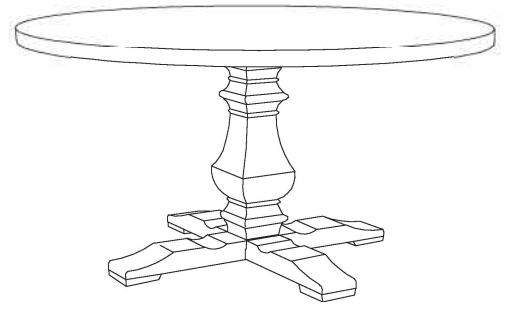
Should we send any replacements?

If there are any manufacturer defects or missing pieces, please contact us for replacements. If purchased online, please contact the website of where you purchase it from, DIRECTLY.

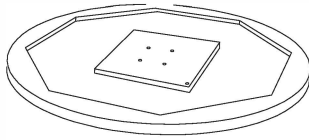
## IMPORTANT INFO before assembly:

- If there's a problem with the parts do not attempt to assemble the product.
- Place all parts on a clean and smooth surface such as a rug / carpet to avoid parts from being scratched.
- When tightening screws to product do not overtighten until product is fully setup.
- If product is too heavy for a single person to carry do not attempt and ask for assistance.
- DO NOT DRAG or PUSH item to desired location. Must be carried when moving.
- If item is not working as intended, please review the assembly guide to see if any steps were missed or incorrectly built. If there's a problem with part, please contact seller for additional assistance.
- Please keep all hardware and small parts away from pets / infants.
- Please wear gloves or protective gear to protect from getting cuts.
- It is normal for new furniture to have an off gassing smell. Please air out furniture near a window for a few hours or a day before placing it in its desired location.
- All products may have a slight color and texture variation due to different shipments, natural materials, screen resolutions, or lighting in home. Images are rendered by different devices or websites.

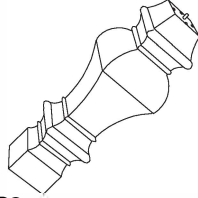
- Please keep instructions for future reference.
- Check the quantity and irregularity of parts and hardware before you start.
- If assembly guide is misplaced, please visit our website for copy



## Part List



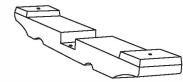
**P1**  
TABLETOP  
1 pc



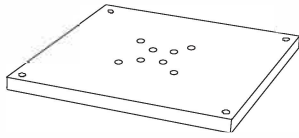
**P2**  
PEDESTAL LEG  
1 pc



**P3**  
PEDESTAL BASE  
(Lower Half)  
1 pc



**P4**  
PEDESTAL BASE  
(Upper Half)  
1 pc



**P5**  
MOUNTING PANEL  
1 pc

## Hardware List



**H1**  
JCBC Bolt  
M6 x 35mm  
12 pcs



**H2**  
Spring Washer  
M6 x 12mm  
12 pcs



**H3**  
Flat Washer  
M7x 19mm  
8 pcs



**H4**  
Flat small Washer  
M7x 12mm  
4 pcs



**H5**  
JCBC Bolt  
M8 x 70mm  
4 pcs



**H6**  
Big Spring Washer  
M8 x 15mm  
4 pcs



**H7**  
Big Flat Washer  
M9x 21mm  
4 pcs



**H8**  
Wooden Dowel  
M12 x 50mm  
1 pc



**H9**  
Adjustable Leg glide  
4 pcs



**H10**  
Allen Wrench M5  
1 pc



**H11**  
Allen Wrench M4  
1 pc

If any parts/hardware listed are damaged or missing,  
Please contact the seller for additional assistance

# IMPORTANT!

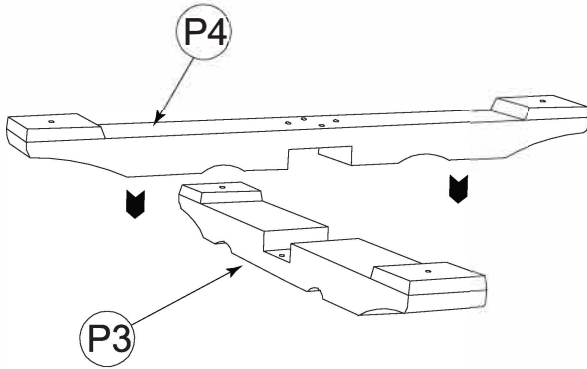
Please keep Allen wrench in a safe place as you may need to tighten up the Bolts in future.

Use a soft cloth between these parts and the floor.

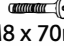



After assembly, item must be level to work properly.

## ASSEMBLY STEPS

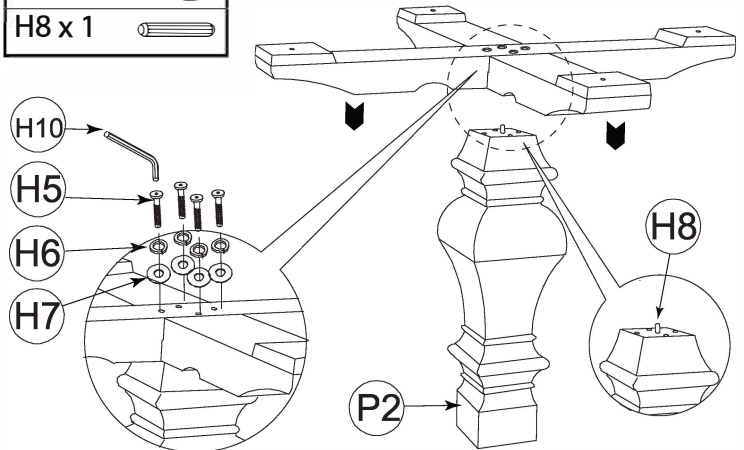
**STEP 1** Assemble the Pedestal Base (P3) into Pedestal Base (P4).



**STEP 2**

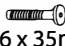


H5 x 4	
M8 x 70mm	
H6 x 4	
H7 x 4	
H8 x 1	

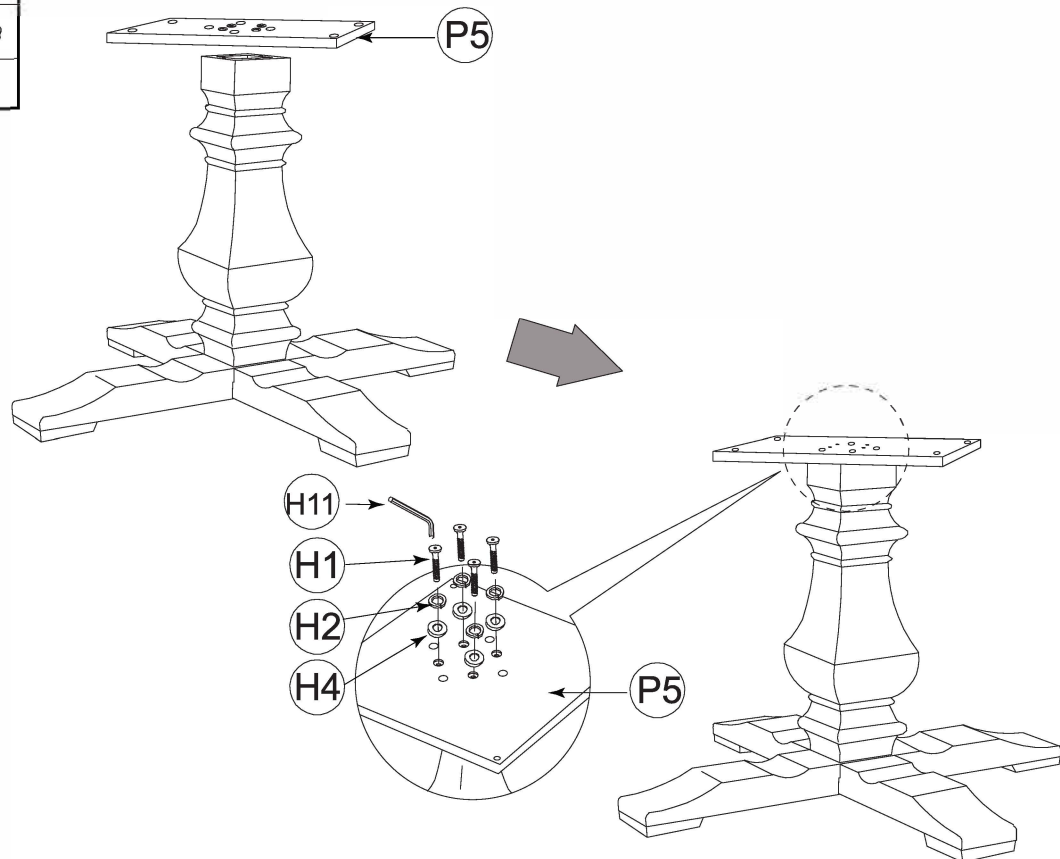
Locate Wood Dowel (H8) to the hole in (P2). Attach the Pedestal Bases into Pedestal leg (P2), and ensure the Dowel snug to each part. Align Bolt (H5) fitted with Spring washer (H6) & Flat washer (H7), tighten the bolt using Allen key (H10).



**STEP 3**

Carefully turn the assembled legs upright and attach the Mounting Panel (P5) into the assembled leg. Align Bolts (H1) fitted with Spring washer (H2) & Flat small washer (H4). Tighten bolts using Allen key (H11).

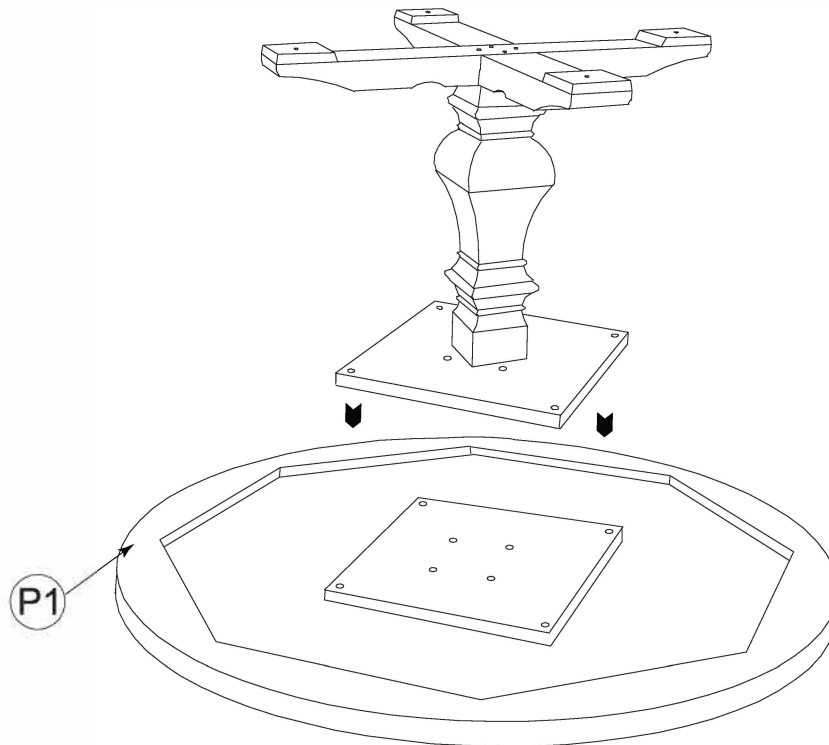
H1 x 4	
M6 x 35mm	
H2 x 4	
H4 x 4	



## ASSEMBLY STEPS





### STEP 4

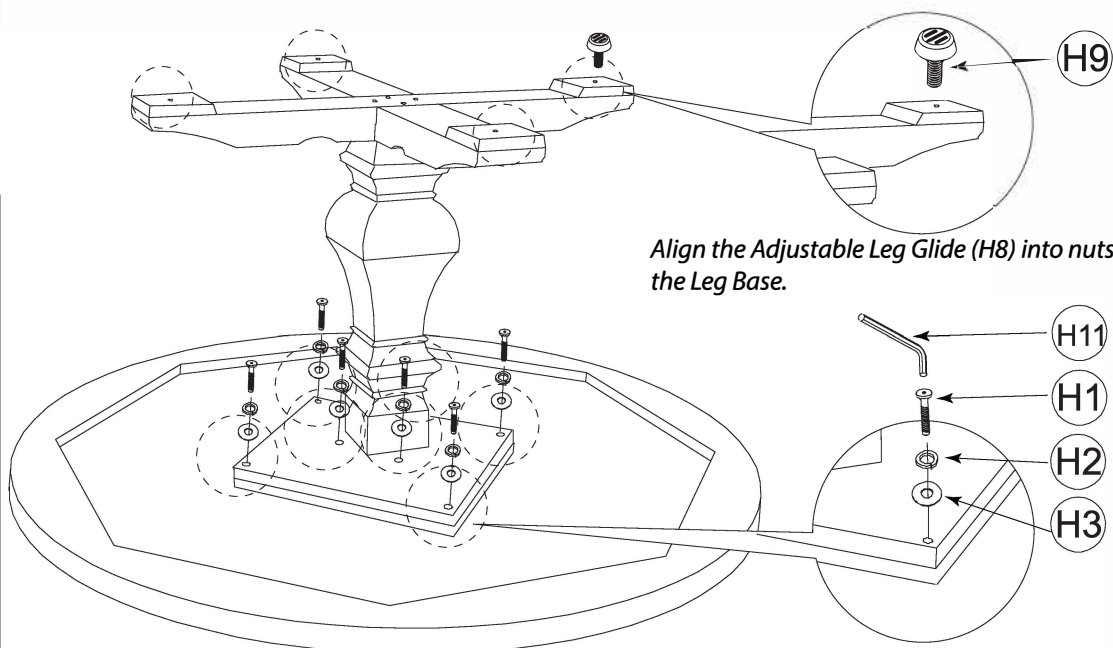
Prepare the Table top (P1) by placing it on flat and clean surface. Turn the assembled Pedestal Leg upside down for assembling it to the underside of Table Top (P1)



### STEP 5

Attach the assembled Pedestal leg onto the desired location underside the table top (P1). Align Bolt (H1) together with Spring washer (H2) & Flat washer (H3) through holes in (P5) into the nuts in the table top panel (P1). Tighten all the bolts using Allen key (H11).

H1 x 8	
M6 x 35mm	
H2 x 8	
H3 x 8	
H9 x 4	



### ASSEMBLY COMPLETED

-  Please ensure the furniture rests on an even and flat surface. If the product wobbles or feels loose, double-check all bolts and/or screws are properly tightened and secured.
-  **Keep this handy!** Please retain this instruction manual and any order-related information for future reference.
-  **Lift, don't drag!** To avoid damage to product, please always LIFT the product when transporting or adjusting the placement.

This product is intended for RESIDENTIAL USE ONLY and not for commercial use.