

SHOE STORAGE BENCH

(DOUBLE DOORS)

User Manual

INTRODUCTION

Thank you for purchasing our products. Committed to providing customers with the best quality products and service has always been our lifelong goal. Before using the product, please read this instruction manual carefully to ensure correct use. Keep the instruction manual in a place where the user can find it at any time. If you need further assistance, please contact the customer service online.

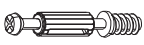


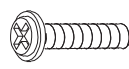

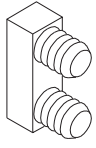
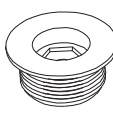

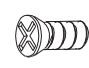
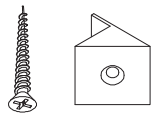
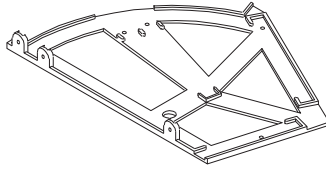
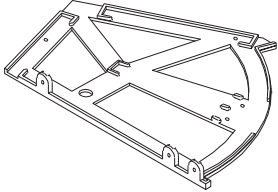

PRECAUTIONS

1. There are many components and accessories in the package. Each component and accessory is labeled with a letter or a number, check carefully before using any of them. Keep them away from children to prevent accidents.
2. Please install the product on a clean and soft underlay (such as carpet or cardboard) to avoid scratching or damaging the surface of the product.
3. The main components of the product is relatively heavy. Please pay attention to safety during installation.
4. The product is not stable during installation. Please do not move it randomly before it is completely installed.
5. If you have any questions during installation, please contact the customer service in time.

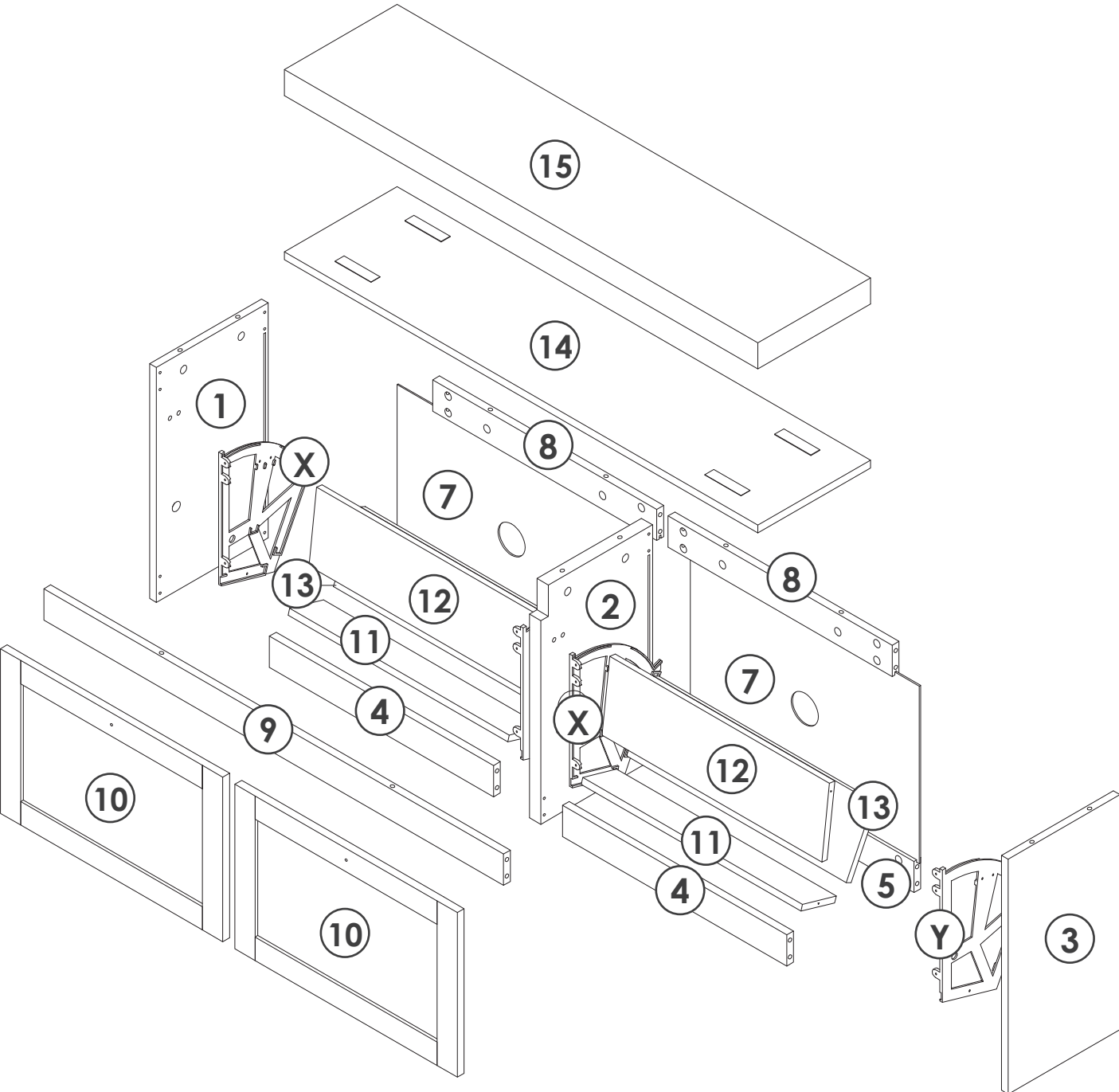
***PLEASE BE SURE TO FOLLOW THE INSTALLATION STEPS IN THE MANUAL TO AVOID UNNECESSARY LOSSES CAUSED BY IMPROPER INSTALLATION.**

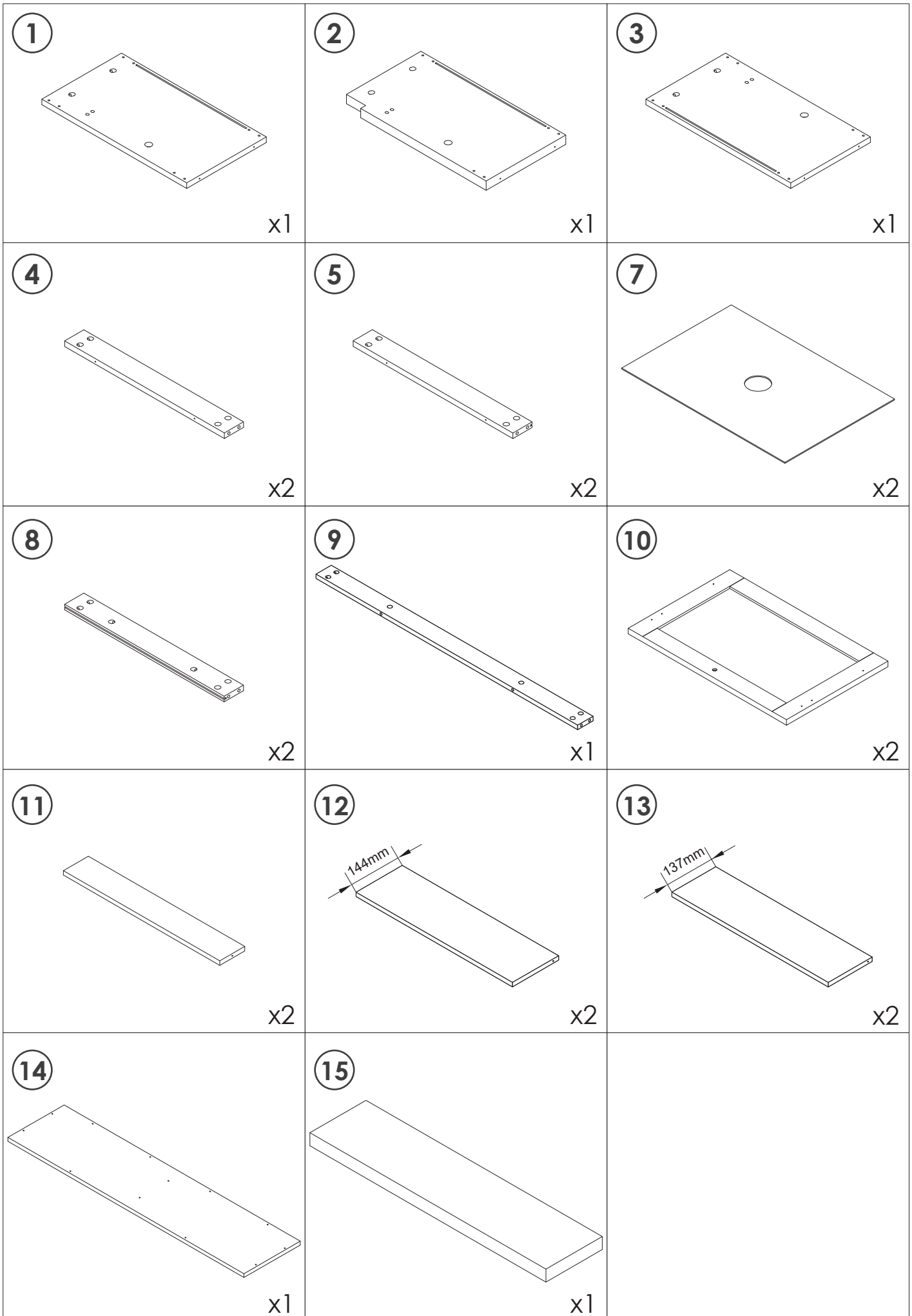
***IF YOU NEED FUTHER ASSIATANCE,PLEASE CONTACT THE CUSTOMER SERVICE ONLINE.**

HARDWARES LIST

A M5x42  x40	B 15x10  x40	C M3.5x14  x24	D M4x15  x2	E  x2
F  x4	G  x4	H  x4	J M4x10  x4	N M3x16  x8
X  x2		Y  x2		Z  x14

PACKAGE CONTAINS

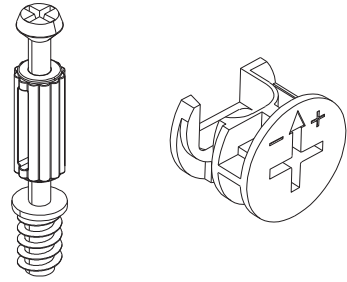




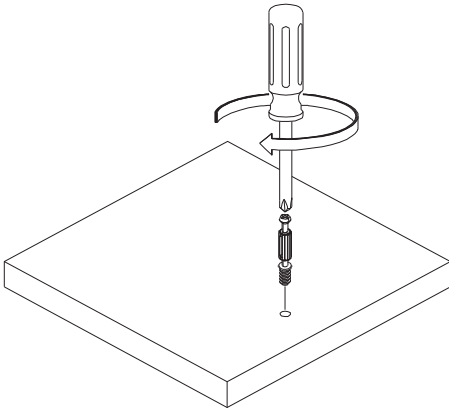
INSTALLATION STEPS

CAM LOCK FASTENING SYSTEM

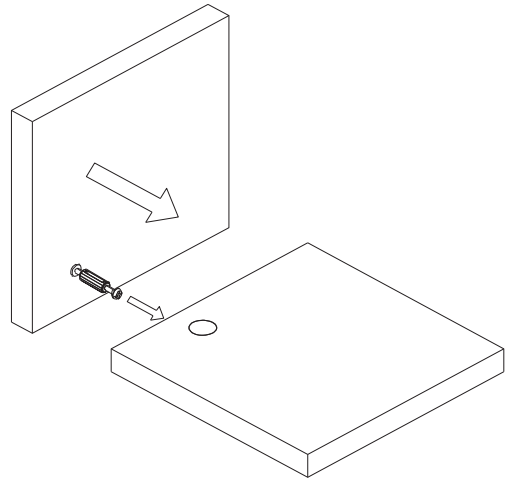
This Cam Lock Fastening System will be used throughout the assembly process.



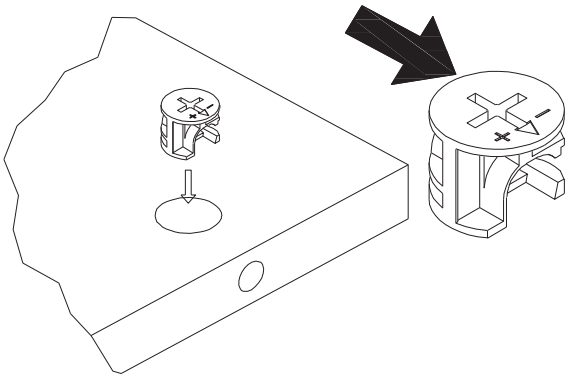
1



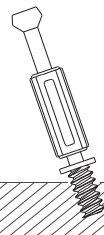
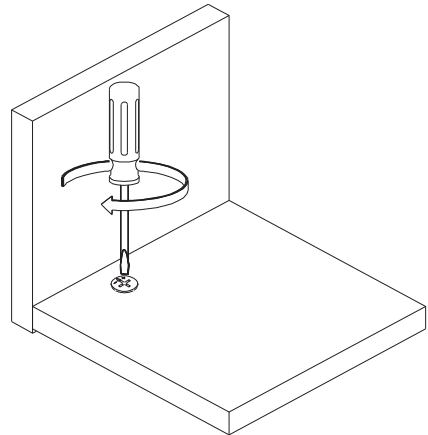
2



3

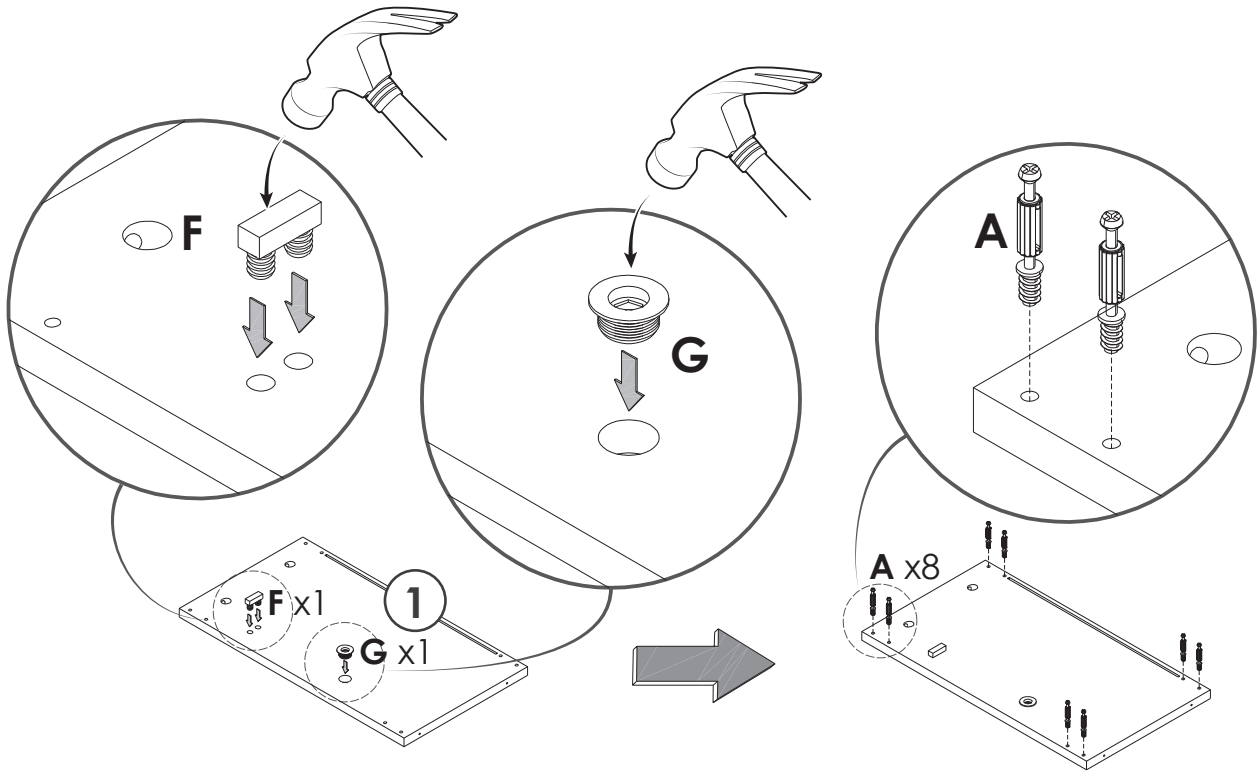


4

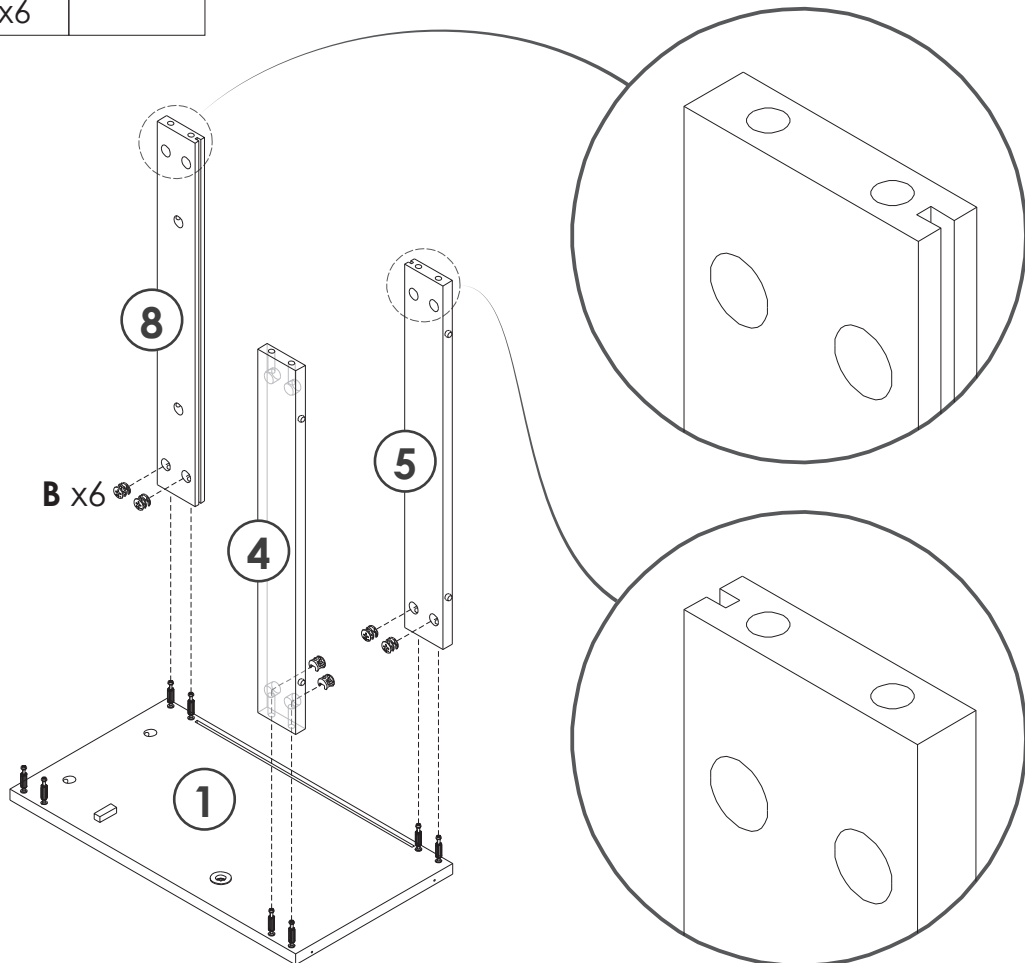


1**YOU WILL NEED**

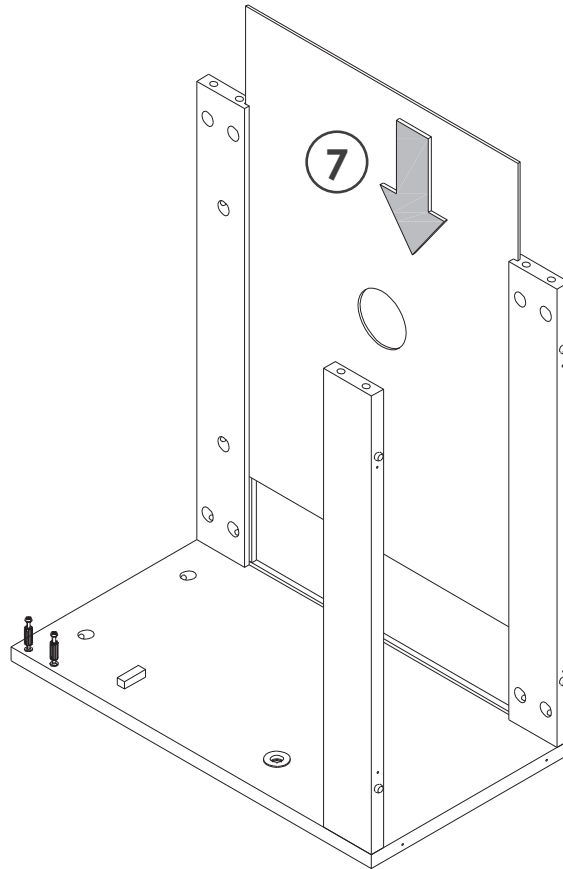
A x8	F x1	G x1
-------------	-------------	-------------

**2****YOU WILL NEED**

B x6	
-------------	--

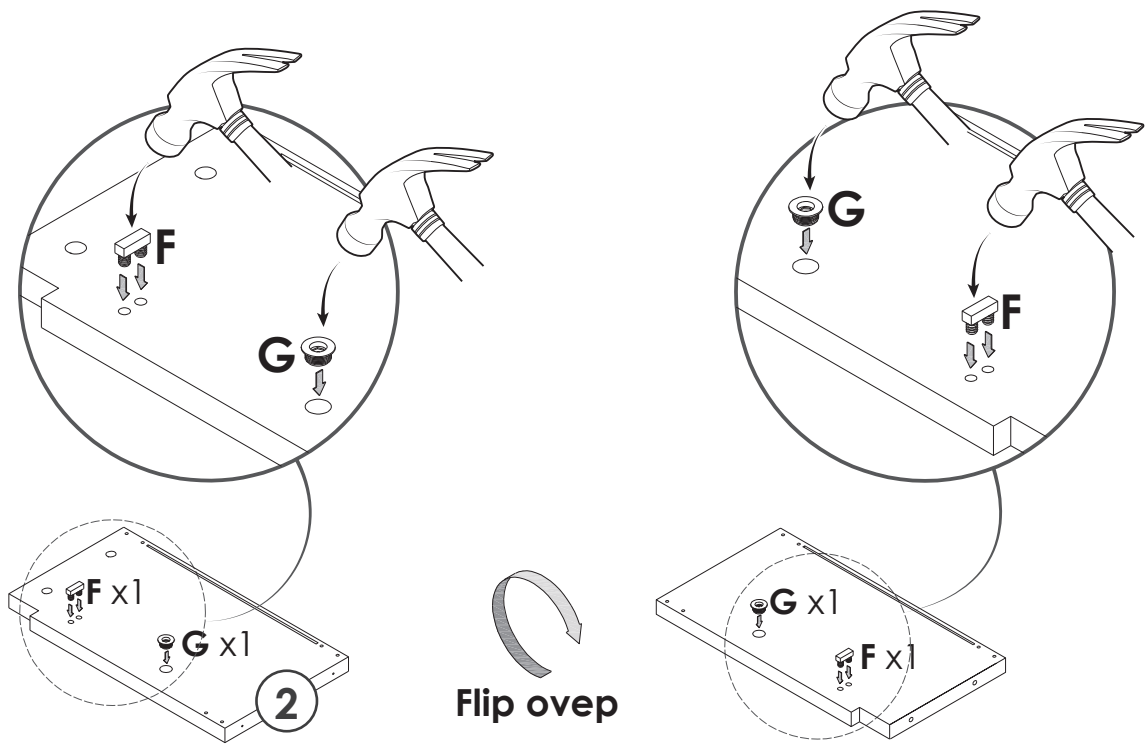


3



4

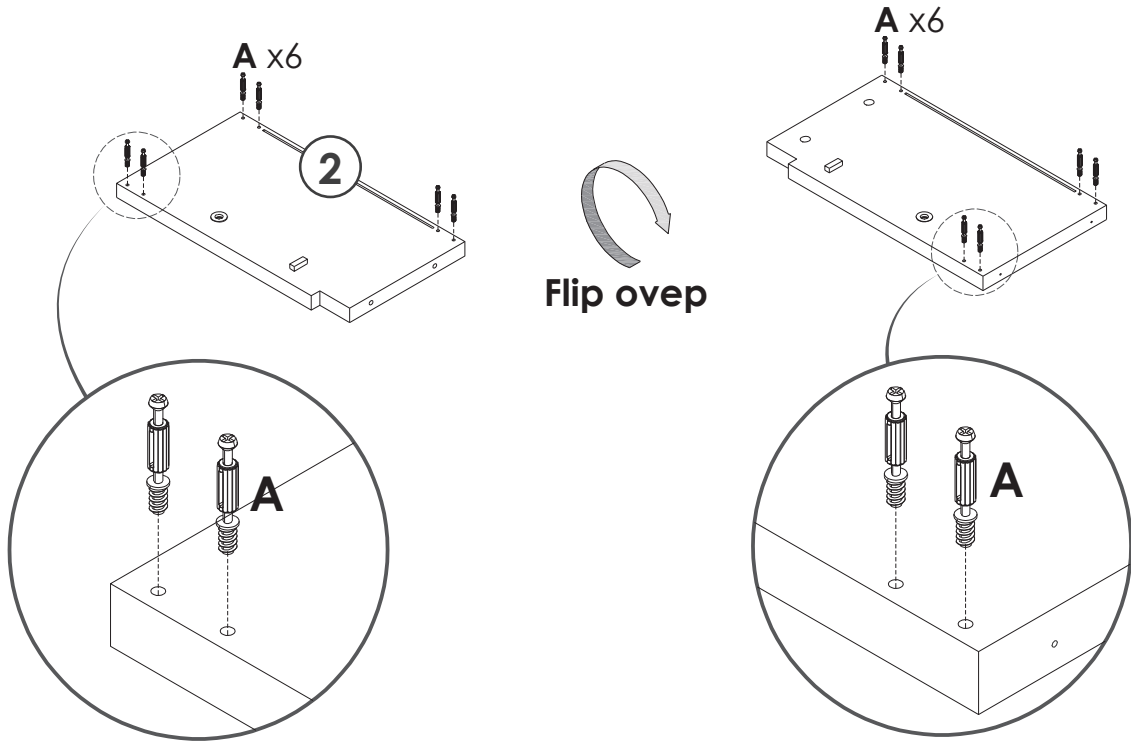
YOU WILL NEED	
F x2	G x2



5

YOU WILL NEED

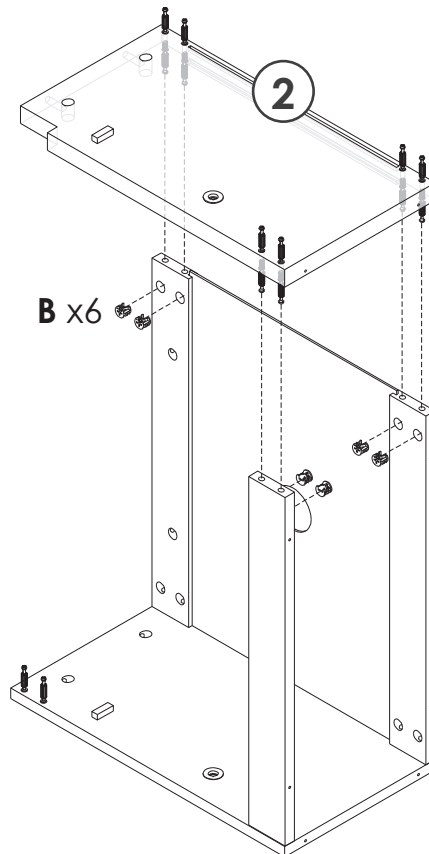
A x12



6

YOU WILL NEED

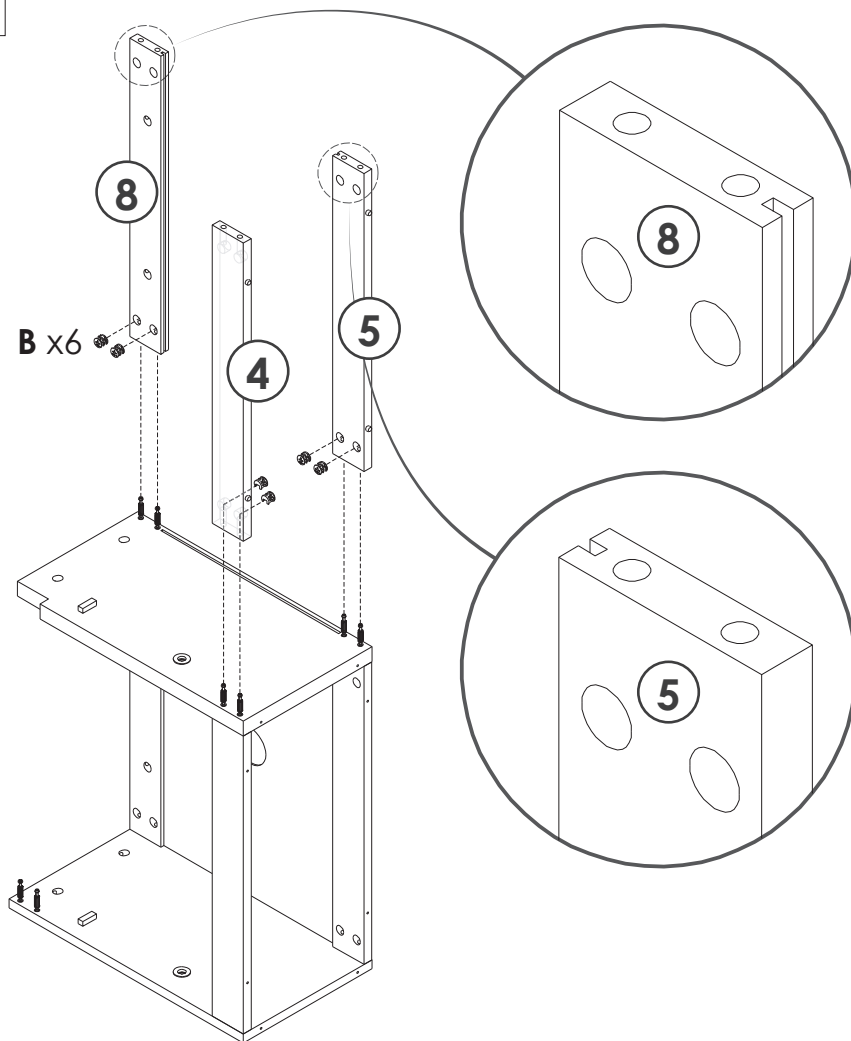
B x6



7

YOU WILL NEED

B x6



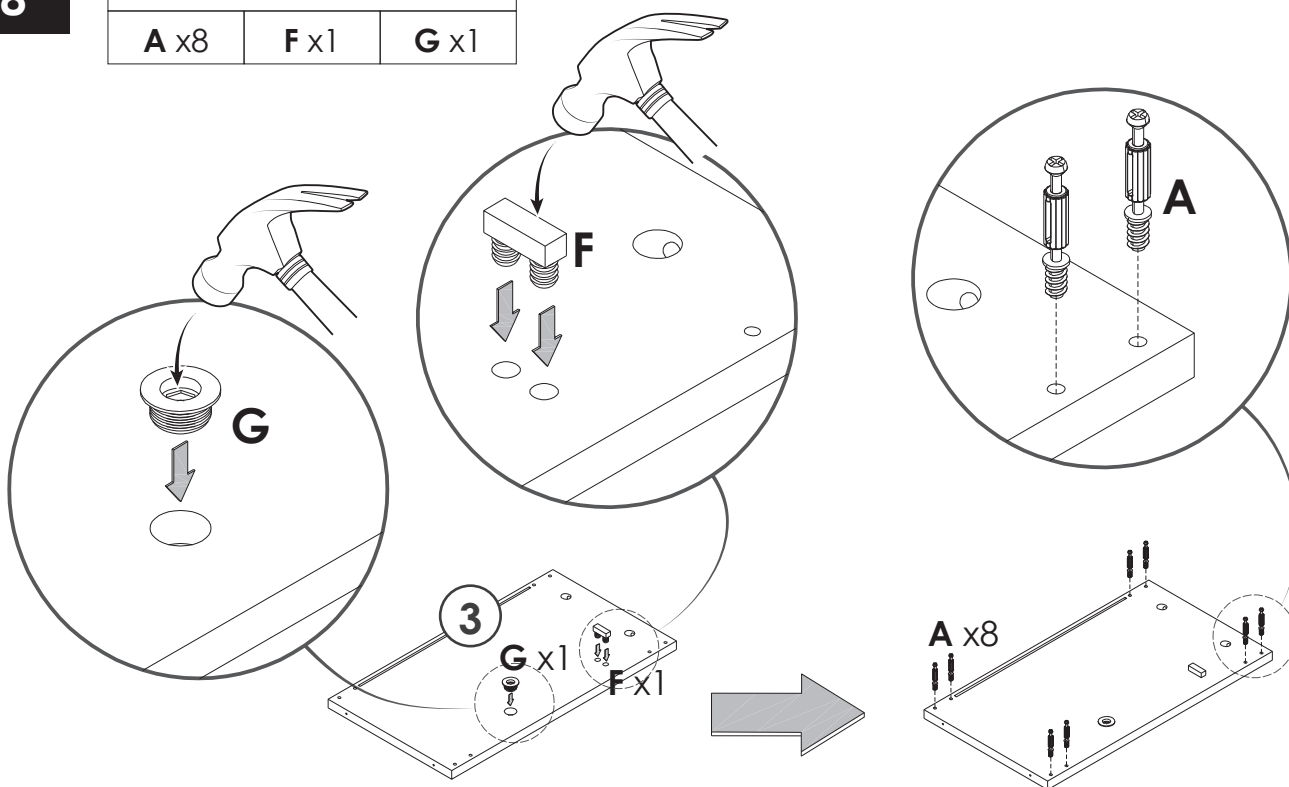
8

YOU WILL NEED

A x8

F x1

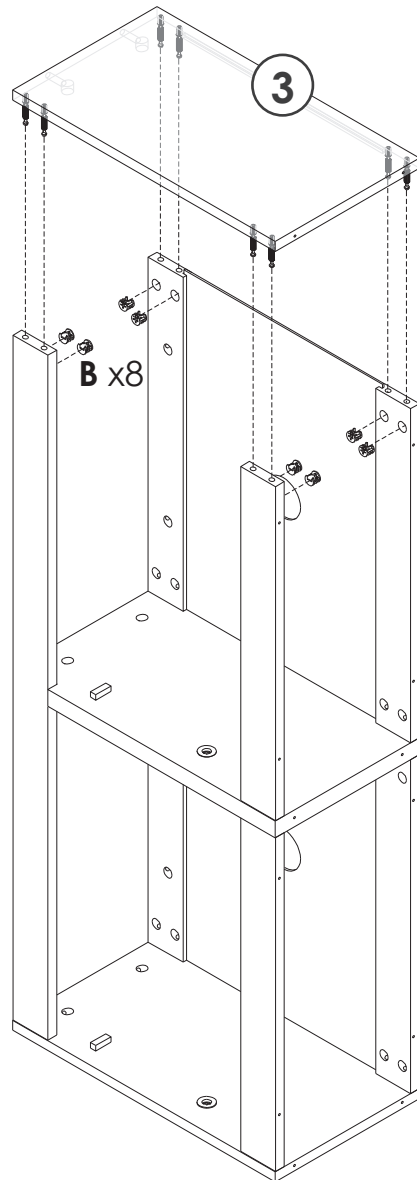
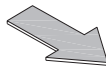
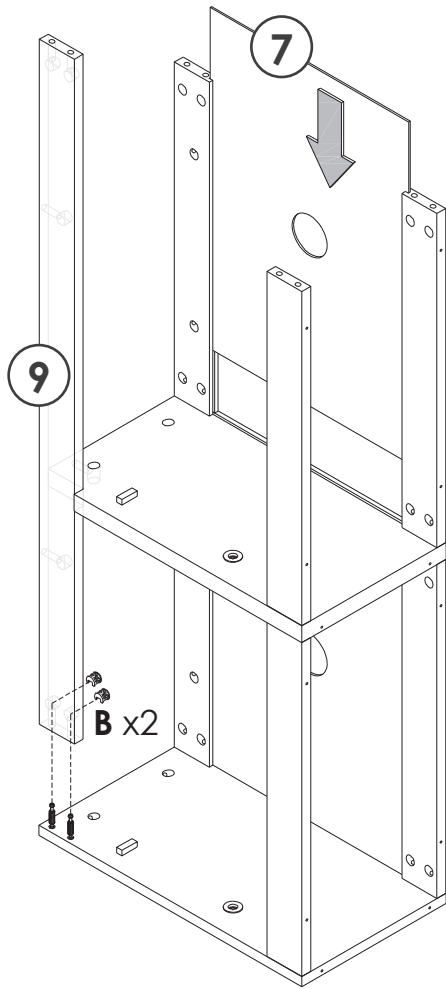
G x1



9

YOU WILL NEED

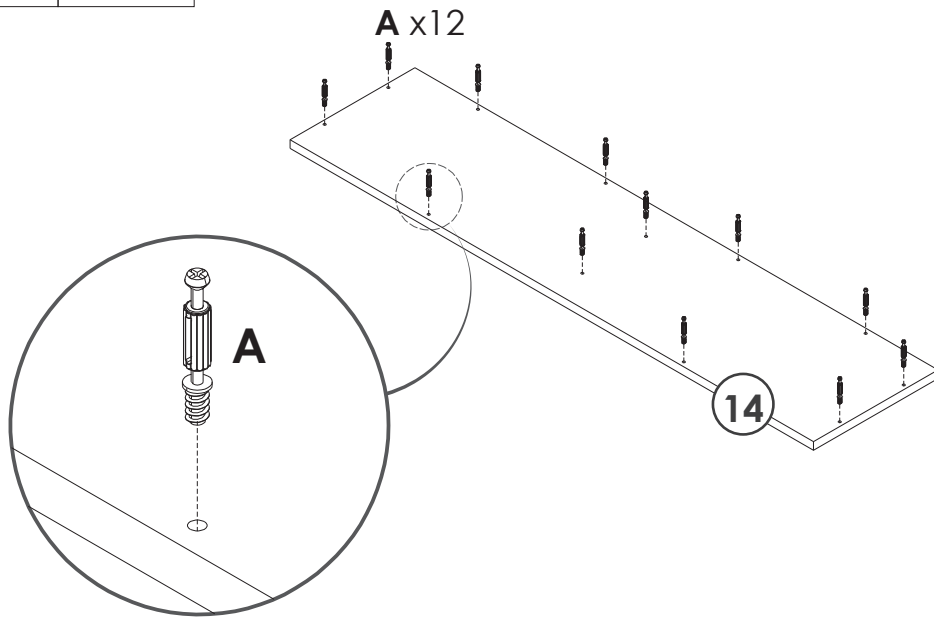
B x10



10

YOU WILL NEED

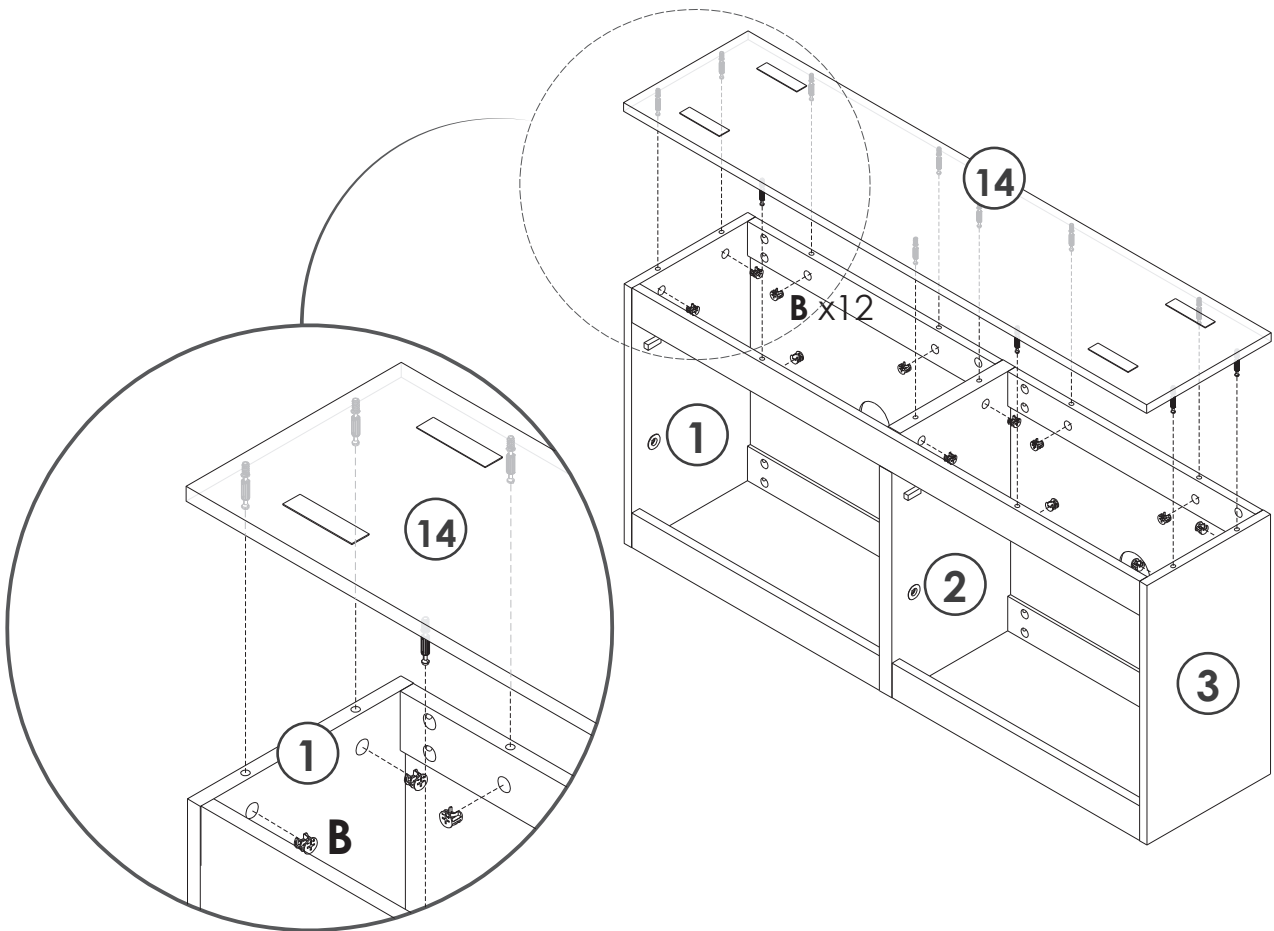
A x12



11

YOU WILL NEED

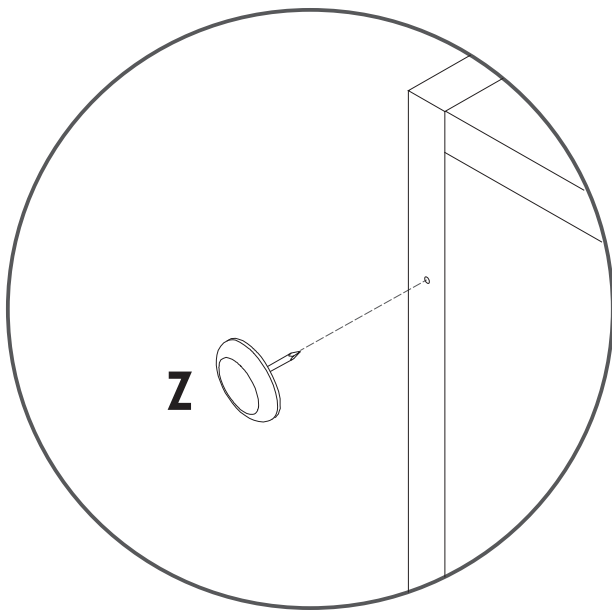
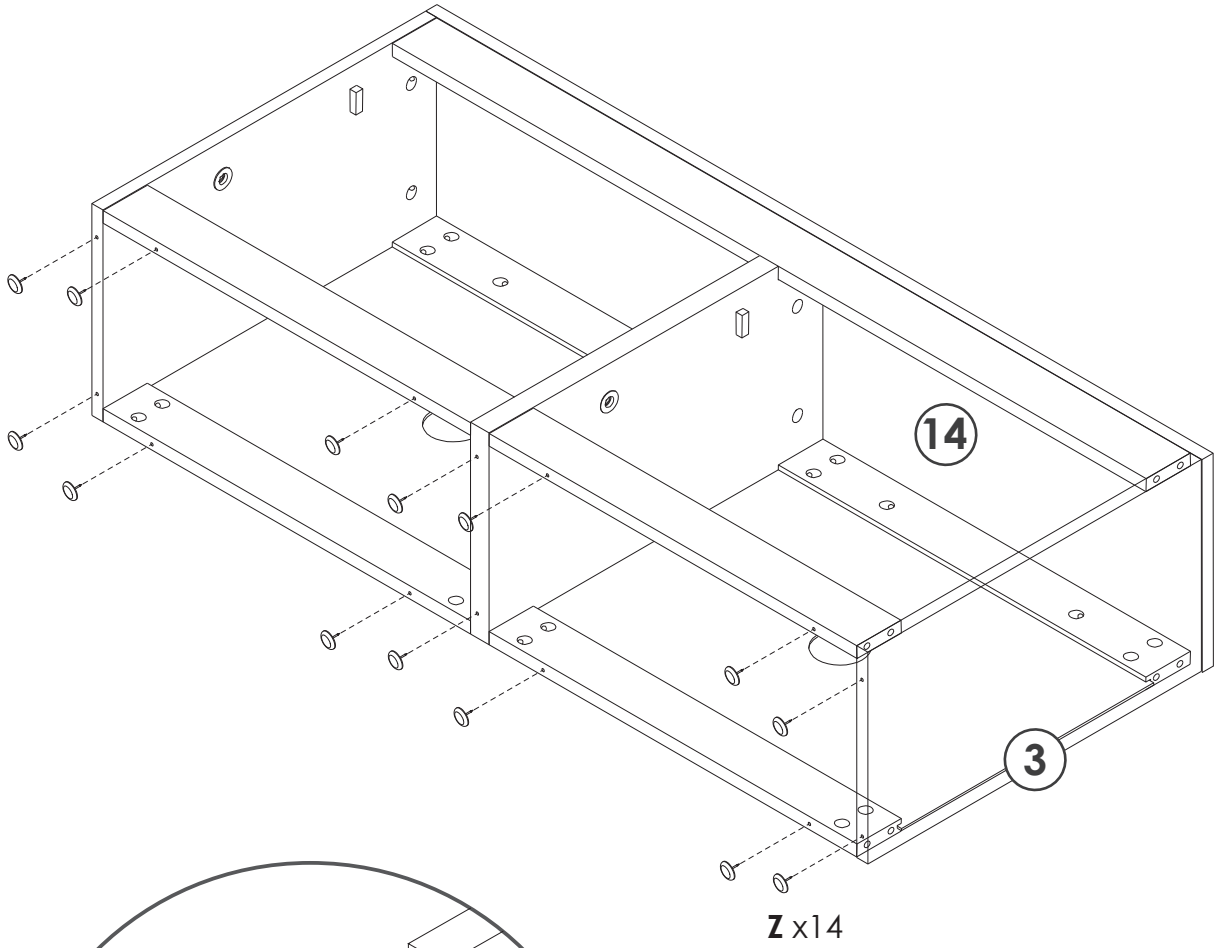
B x12



12

YOU WILL NEED

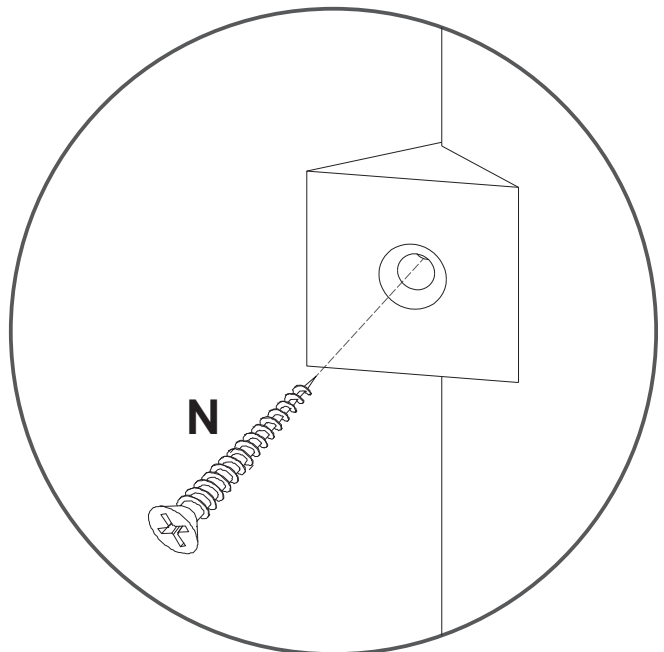
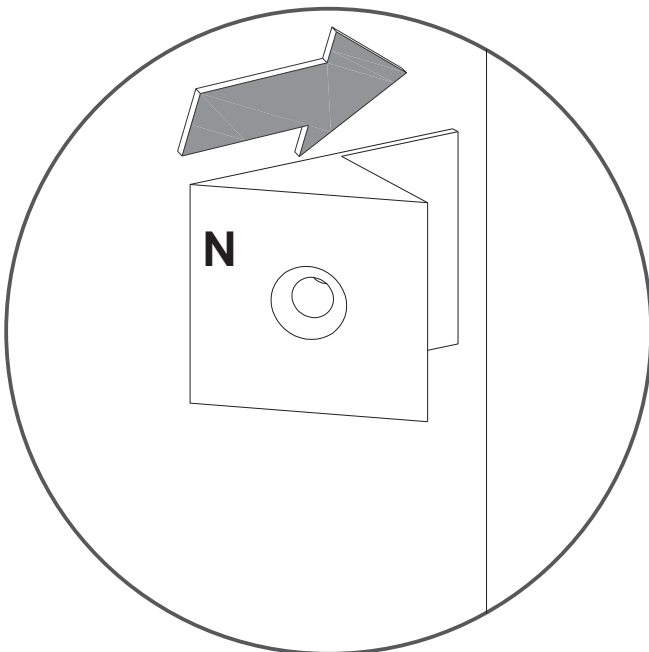
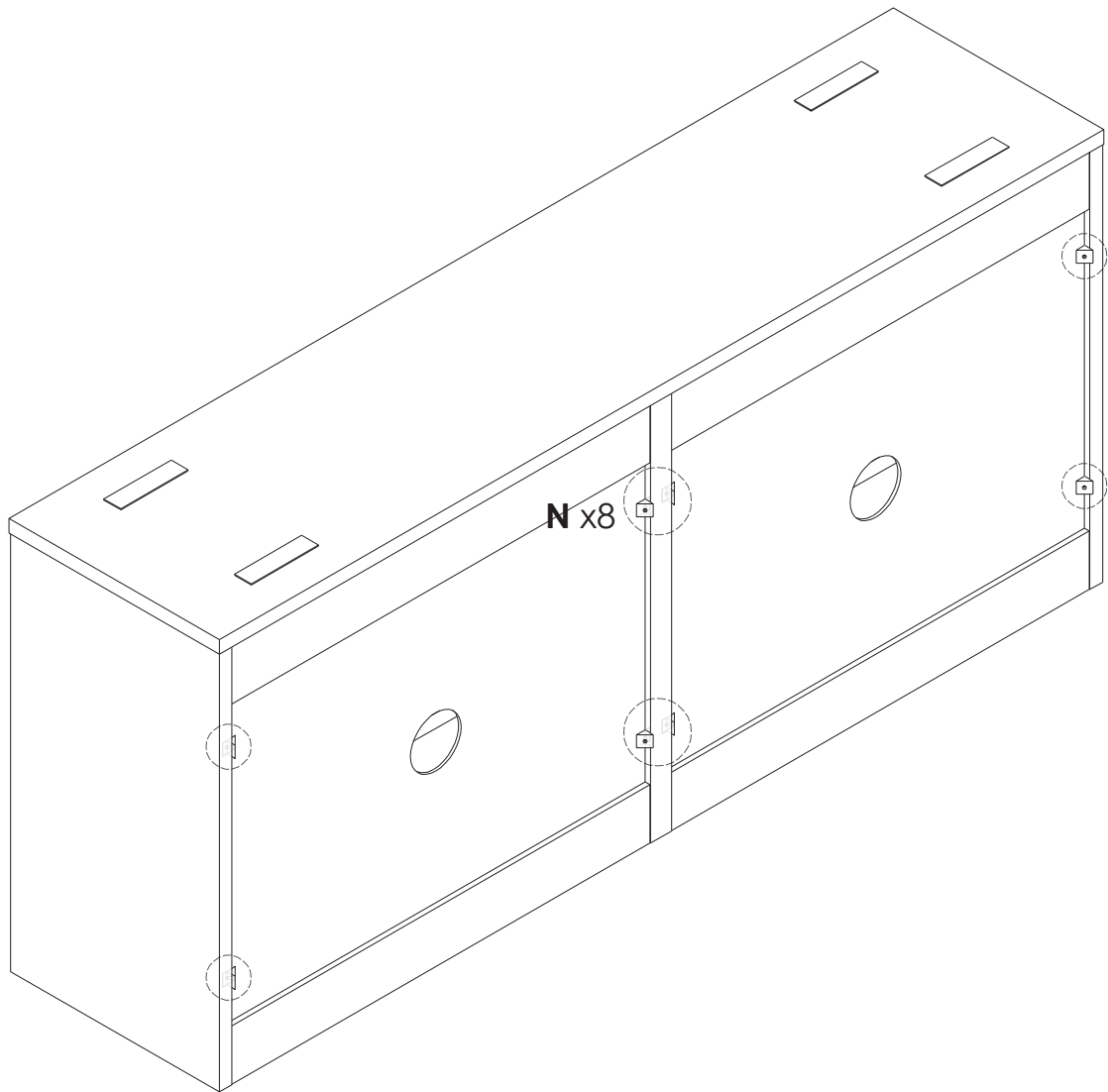
Z x14



13

YOU WILL NEED

N x8



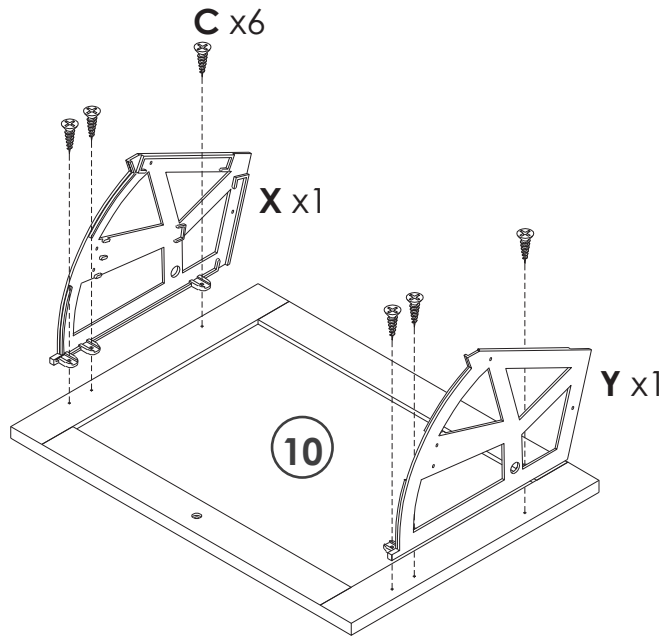
14

YOU WILL NEED

C x12

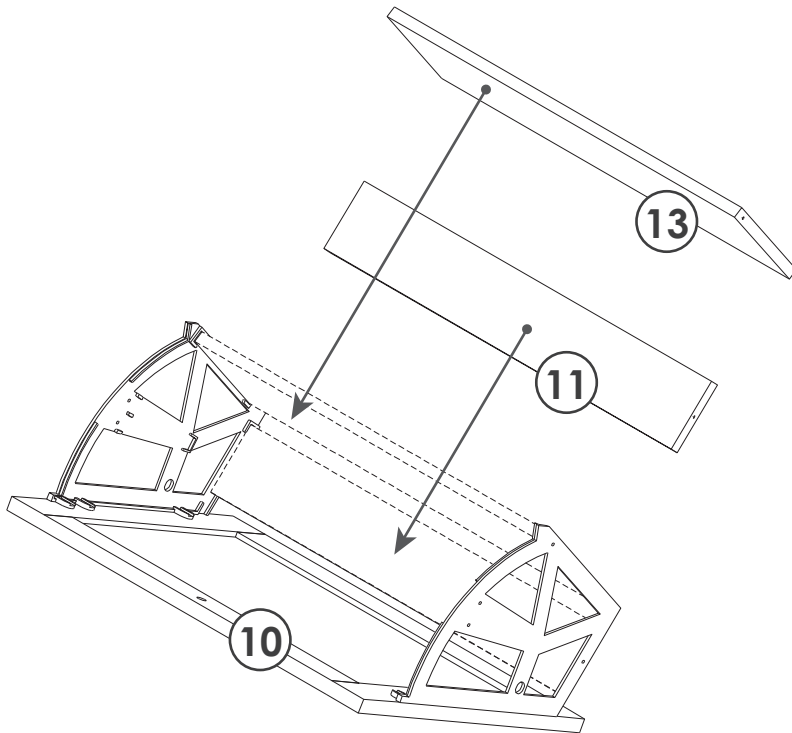
X x2

Y x2



x2

15

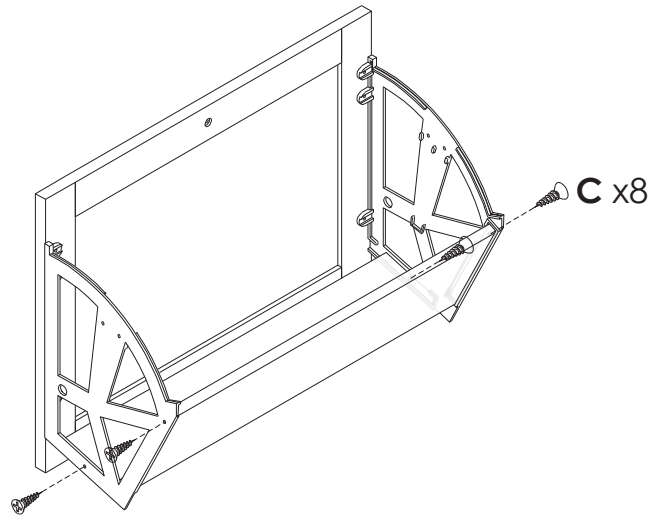


x2

16

YOU WILL NEED

C x8



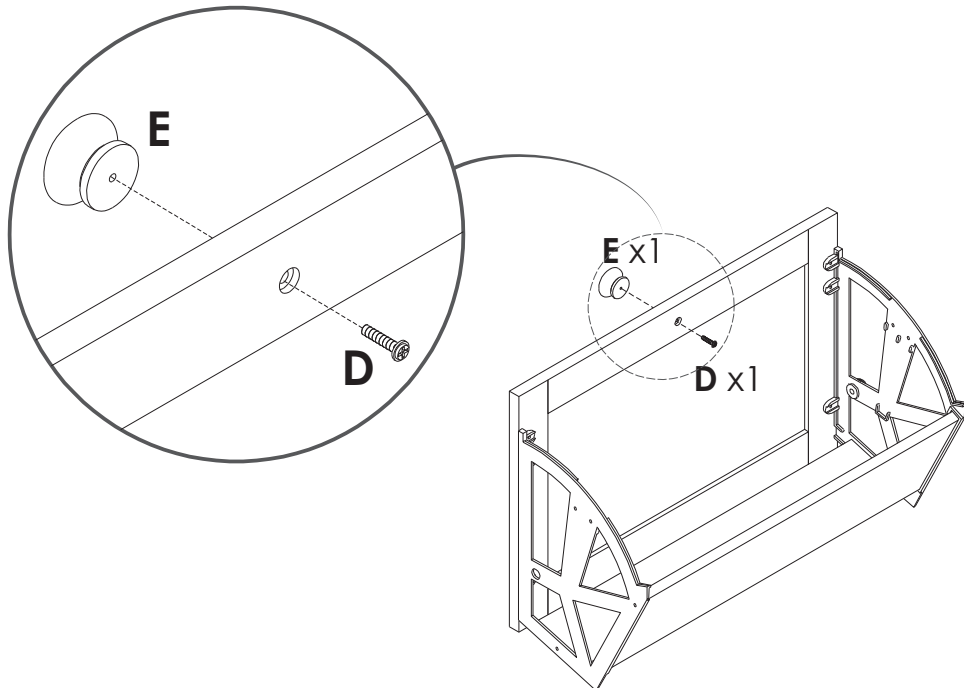
x2

17

YOU WILL NEED

D x2

E x2



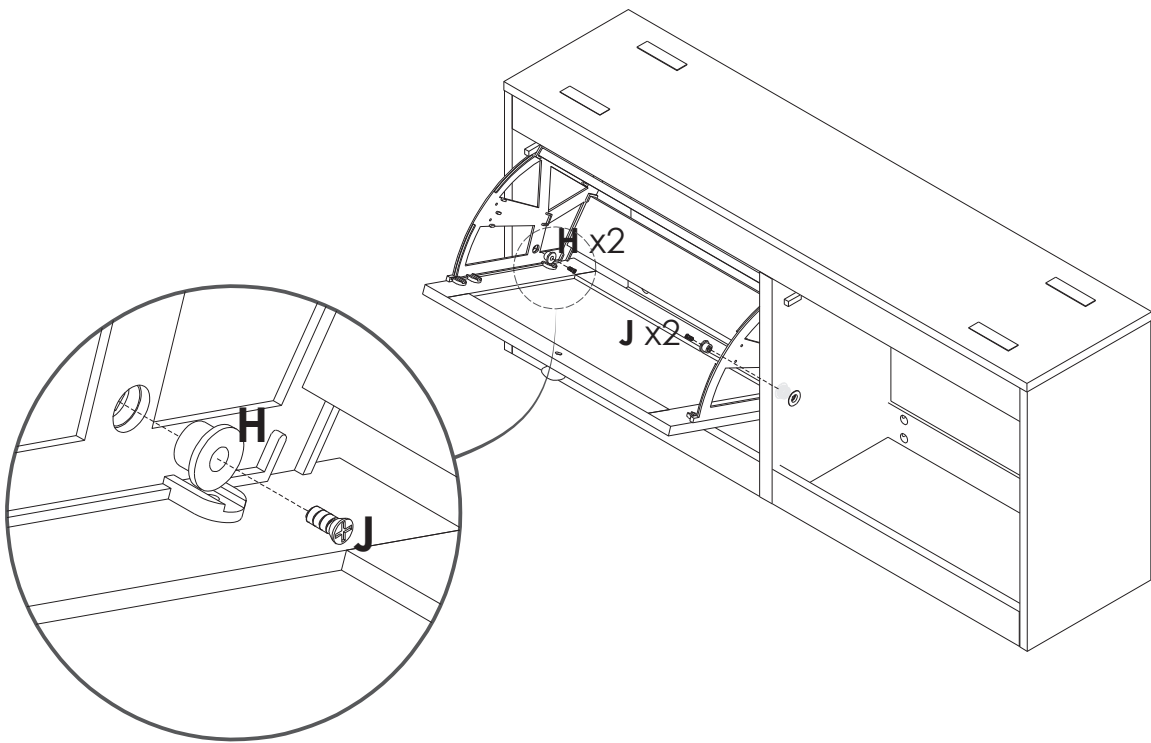
x2

18

YOU WILL NEED

H x2

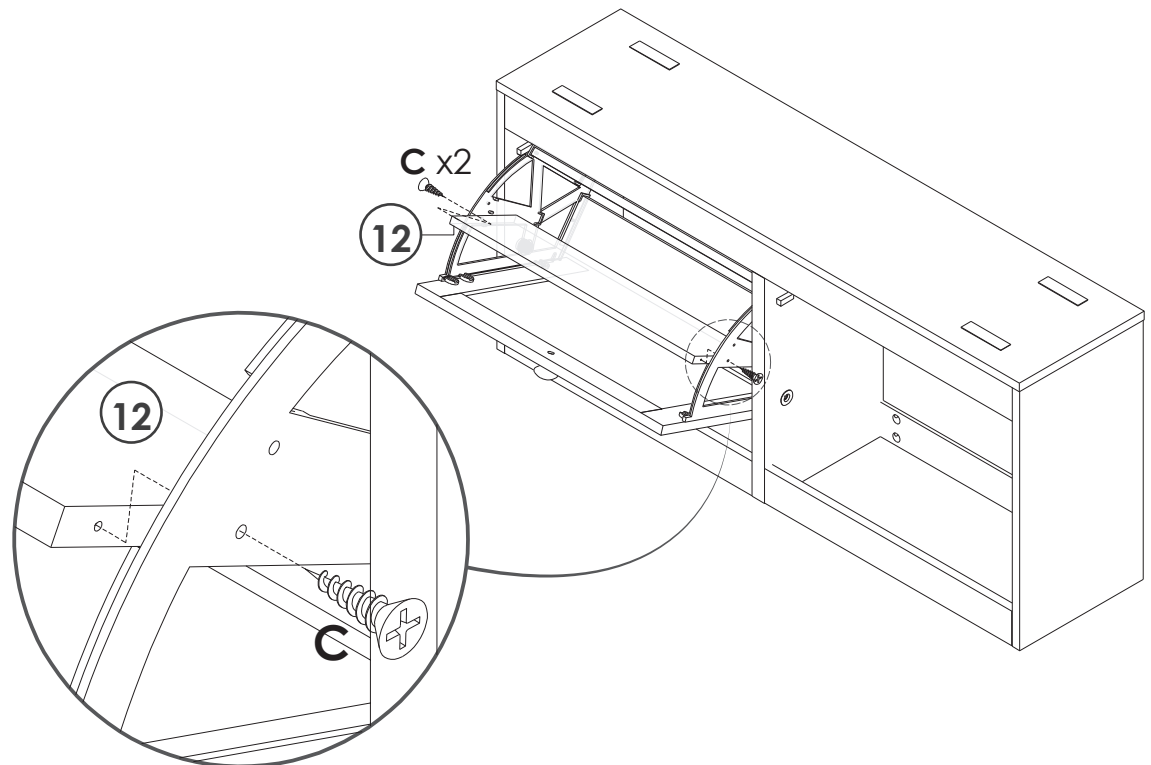
J x2



19

YOU WILL NEED

C x2

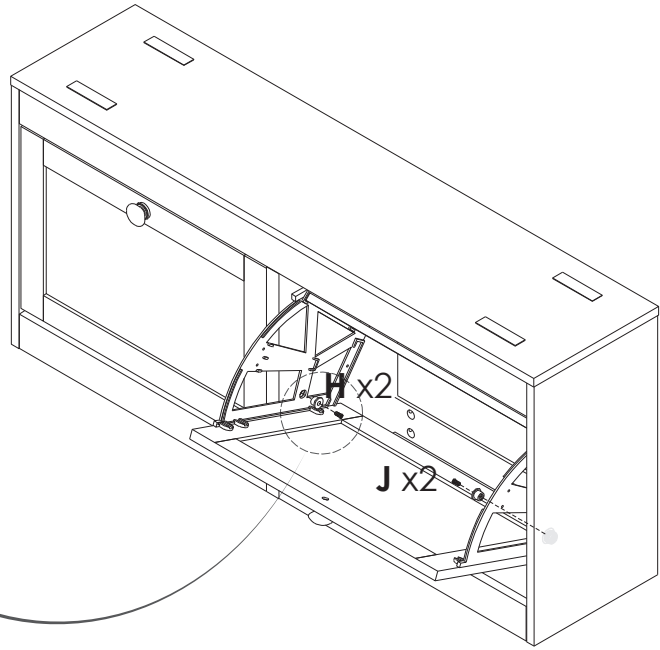
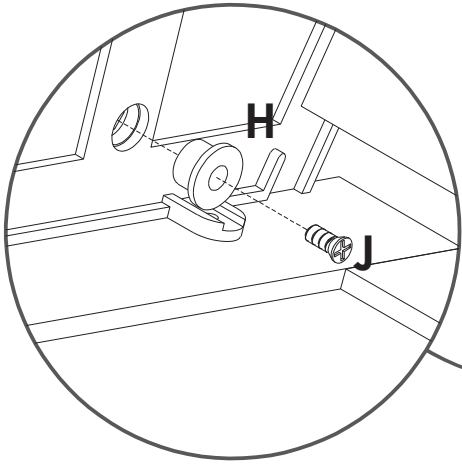


20

YOU WILL NEED

H x2

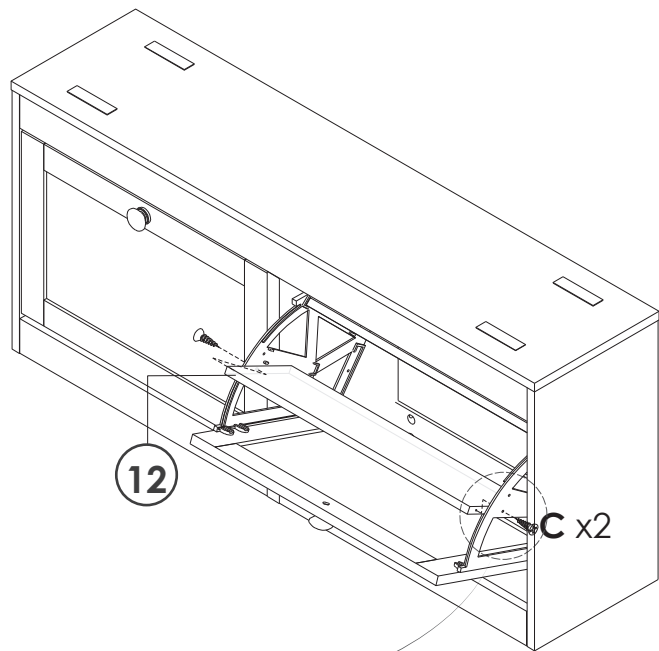
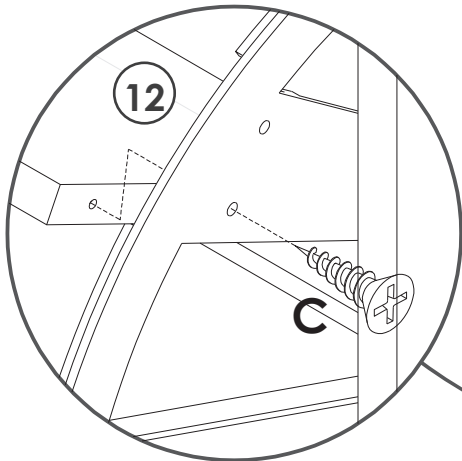
J x2



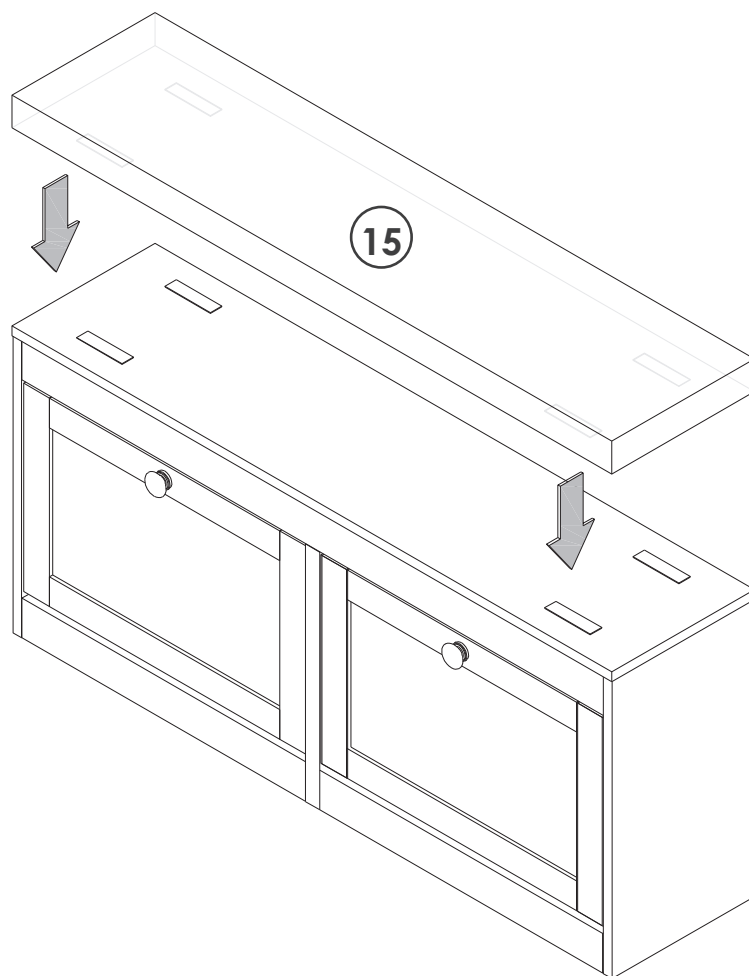
21

YOU WILL NEED

C x2



22



23

